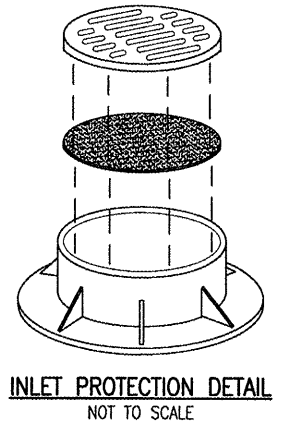
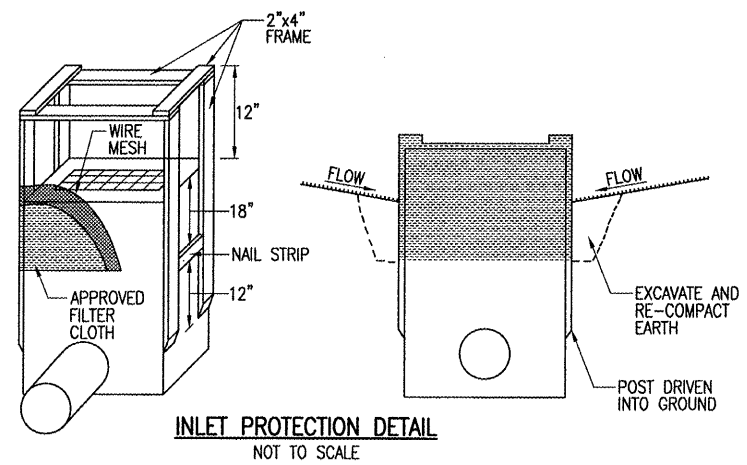


- NOTES**
1. FILTER WRAP TO BE PLACED IN ALL PROPOSED AND EXISTING INLETS LOCATED IN PAVED AREAS.
 2. FABRIC SHALL BE IN CONFORMANCE WITH MATERIALS SPECIFIED FOR EROSION CONTROL FENCING.
 3. FABRIC SHALL OVERLAY FRAME BY 2" MIN.
 4. THE CONTRACTOR SHALL CLEAR DEBRIS AND SILT AS REQUIRED FROM FABRIC TO MAINTAIN DRAINAGE THROUGH THE STRUCTURE.
 5. FABRIC SHALL REMAIN IN PLACE UNTIL TURFED AREAS HAVE DEVELOPED A MIN. OF 80% COVERAGE.
 6. INLET PROTECTION WILL NOT BE PAID FOR SEPARATELY BUT SHALL BE CONSIDERED INCIDENTAL TO THE CONTRACT AND NO ADDITIONAL COMPENSATION ALLOWED.



DATE	REVISION	BY

SHELBY COUNTY AIRPORT
SHELBYVILLE, IL

IL PROJ.: 210-3781 A.I.P. PROJ.: 3-17-0093-BB

Hanson No. 827-03THGD	ESC	06/20/08
Filename: R-104-SWPPP.DWG	ESC	06/20/08
Scale: 1"=30'	ESC	06/20/08
Date: 06/20/08	REVIEWED	JDW
	DATE	BY
	06/20/08	
	06/20/08	
	06/24/08	

Hanson Professional Services Inc. 2008
Hanson Professional Services Inc.
Springfield, Illinois 62703-2886
Offices Nationwide

REHABILITATE
T-HANGAR PAVEMENTS
PROPOSED
STORMWATER POLLUTION
PREVENTION PLAN