

PROP. H.M.A. SURFACE REMOVAL, 2 1/4"  
 PROP. POLYMERIZED LEVELING BINDER (MACHINE METHOD), IL-4.75, N50, 3/4"  
 PROP. HOT-MIX ASPHALT SURFACE COURSE, MIX "D", N70, 1 1/2"

PROP. HMA SURFACE REMOVAL - BUTT JOINT  
 SEE BUTT JOINT AND HMA TAPER DETAILS (BD-32) (TYP.)

PROP. HMA SURFACE REMOVAL - BUTT JOINT  
 SEE BUTT JOINT AND HMA TAPER DETAILS (BD-32) (TYP.)

PROP. HMA SURFACE REMOVAL - BUTT JOINT  
 SEE BUTT JOINT AND HMA TAPER DETAILS (BD-32) (TYP.)

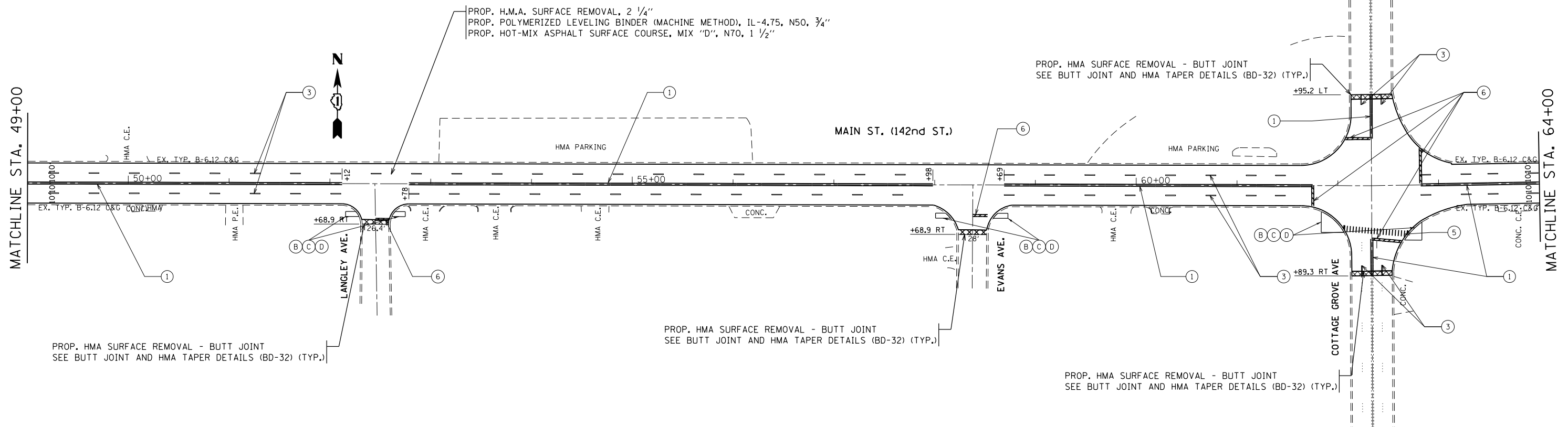
PROP. HMA SURFACE REMOVAL - BUTT JOINT  
 SEE BUTT JOINT AND HMA TAPER DETAILS (BD-32) (TYP.)

**ROADWORK LEGEND**

- (B) PC CONCRETE SIDEWALK REMOVAL
- (C) PC CONCRETE SIDEWALK 5 IN
- (D) DETECTABLE WARNINGS

**PAVEMENT MARKING LEGEND**

- (1) THPL PAVT MK, 4" DOUBLE YELLOW LINE, (TYP.)
- (2) THPL PAVT MK, 4" YELLOW LANE LINE (10'-30' SKIP DASH) (TYP.)
- (3) THPL PAVT MK, 4" WHITE LANE LINE (10'-30' SKIP DASH) (TYP.)
- (4) THPL PAVT MK, 6" WHITE CROSSWALK (TYP.)
- (5) THPL PAVT MK, 12" WHITE LINE (TYP.)
- (6) THPL PAVT MK, 24" WHITE STOPBAR (TYP.)
- (7) THPL PAVT MK, LETTERS AND SYMBOLS (TC-13) (TYP.)



PROP. H.M.A. SURFACE REMOVAL, 2 1/4"  
 PROP. POLYMERIZED LEVELING BINDER (MACHINE METHOD), IL-4.75, N50, 3/4"  
 PROP. HOT-MIX ASPHALT SURFACE COURSE, MIX "D", N70, 1 1/2"

PROP. HMA SURFACE REMOVAL - BUTT JOINT  
 SEE BUTT JOINT AND HMA TAPER DETAILS (BD-32) (TYP.)

PROP. HMA SURFACE REMOVAL - BUTT JOINT  
 SEE BUTT JOINT AND HMA TAPER DETAILS (BD-32) (TYP.)

PROP. HMA SURFACE REMOVAL - BUTT JOINT  
 SEE BUTT JOINT AND HMA TAPER DETAILS (BD-32) (TYP.)

PROP. HMA SURFACE REMOVAL - BUTT JOINT  
 SEE BUTT JOINT AND HMA TAPER DETAILS (BD-32) (TYP.)

FILE NAME =	USER NAME = dettmanna	DESIGNED -	REVISED -	<b>STATE OF ILLINOIS DEPARTMENT OF TRANSPORTATION</b>	<b>MAIN ST (142nd ST.) INDIANA AVE. TO DOLTON AVE.</b>		F.A.U. RT.E.	SECTION	COUNTY	TOTAL SHEETS	SHEET NO.
ei:\pw\work\p\idot\dettmanna\d0255149\010911-shit-plan.dgn		DRAWN -	REVISED -		1599	0707-RS-6	COOK	29	9		
PLOT SCALE = 100.0000' / in.		CHECKED -	REVISED -		CONTRACT NO. 60M42						
PLOT DATE = 5/30/2014		DATE -	REVISED -		SCALE: 1"=50'		SHEET NO. 2 OF 4 SHEETS		STA. 34+00 TO STA. 64+00		FED. ROAD DIST. NO. 1 ILLINOIS FED. AID PROJECT