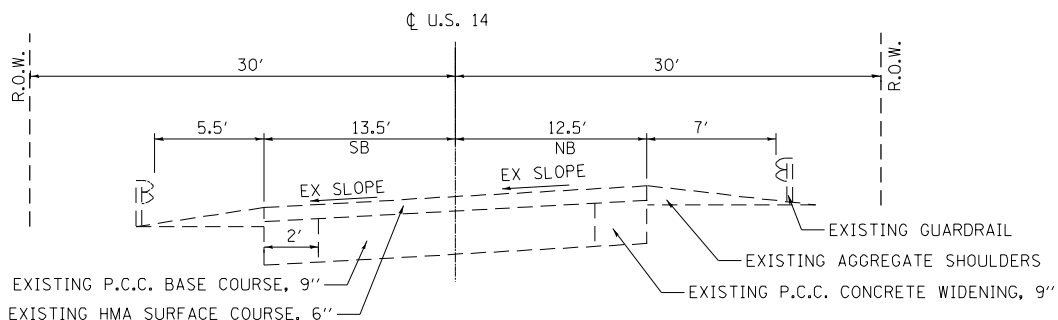
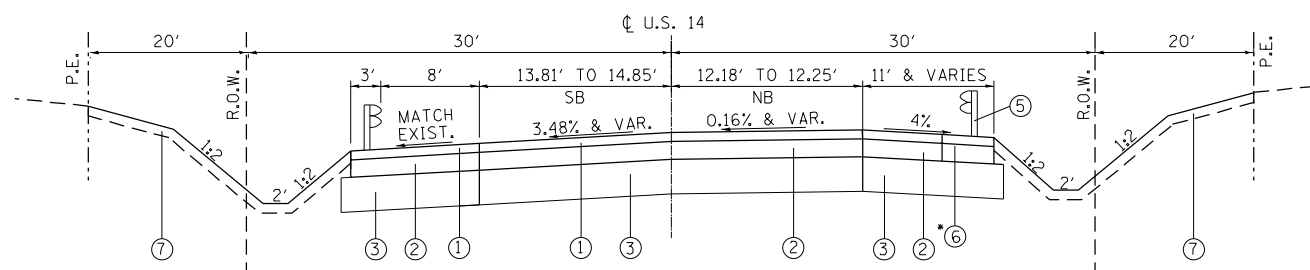


**EXISTING TYPICAL SECTION**  
STA. 94+90 TO STA. 99+45



**EXISTING TYPICAL SECTION**  
STA. 99+45 TO STA. 106+54  
(SUPER ELEVATION SECTION)



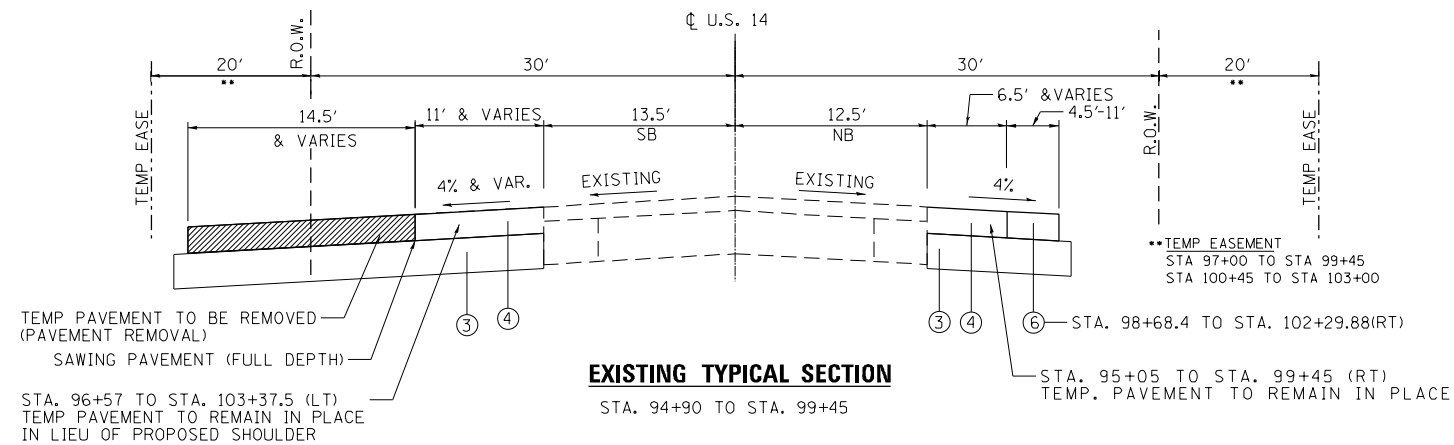
**PROPOSED TYPICAL SECTION**  
STA. 99+45 TO STA. 100+45

**LEGEND**

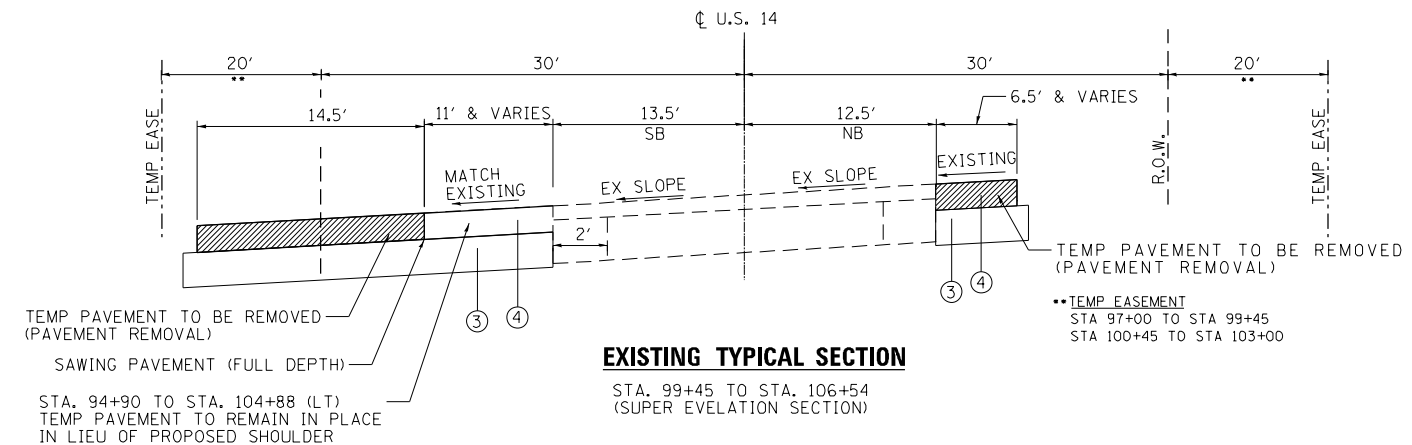
- ① PROPOSED HOT-MIX ASPHALT SURFACE COURSE, MIX "D", N70, 2"
- ② PROPOSED HOT-MIX ASPHALT BINDER COURSE, IL-19.0, N70, 7 3/4"
- ③ PROPOSED AGGREGATE SUBGRADE IMPROVEMENT, 12"
- ④ PROPOSED TEMPORARY PAVEMENT (HOT-MIX ASPHALT)
- ⑤ PROPOSED STEEL PLATE BEAM GUARDRAIL, TYPE A
- ⑥ PROPOSED HOT-MIX ASPHALT SHOULDERS, 9 3/4"
- ⑦ PROPOSED FURNISH AND PLACE TOPSOIL, 6"

\*SEE HMA MIXTURES REQUIREMENT TABLE, THIS SHT.

**FOR TYPICAL SECTION AT CULVERT  
SEE STRUCTURAL PLANS**



**EXISTING TYPICAL SECTION**  
STA. 94+90 TO STA. 99+45



**EXISTING TYPICAL SECTION**  
STA. 99+45 TO STA. 106+54  
(SUPER ELEVATION SECTION)

**HOT MIX ASPHALT MIXTURE REQUIREMENTS**

MIXTURE TYPE	AIR VOIDS at Ndes	QMP TYPE
<b>PAVEMENT /TEMPORARY PAVEMENT /SHOULDERS</b>		
HOT-MIX ASPHALT BINDER COURSE, IL-19.0, N70, 7 3/4"	4% @ 70 GYR.	QC/QA
HOT-MIX ASPHALT SURFACE COURSE, MIX "D", N70, 2" (IL 9.5 mm)	4% @ 70 GYR.	QC/QA
<b>RURAL FIELD ENTRANCE</b>		
HOT-MIX SURFACE COURSE, MIX D, N70 (IL 9.5mm); 2"	4% @ 70 GYR.	QC/QA
<b>QMP Designation: Quality Control/Quality Assurance (QC/QA)</b>		

**MIXTURE NOTES:**

1. THE UNIT WEIGHT USED TO CALCULATE ALL HOT-MIX ASPHALT SURFACE MIXTURES IS 112 LBS/SQ YD/IN  
 2. THE "AC TYPE" FOR POLYMERIZED HMA MIXES SHALL BE "SBS/SBR PG 76-22" AND FOR NON-POLYMERIZED HMA THE "AC TYPE" SHALL BE "PG 64-22" UNLESS MODIFIED BY DISTRICT ONE SPECIAL PROVISIONS. FOR USE OF RECYCLED MATERIALS SEE DISTRICT ONE SPECIAL PROVISIONS.

QUALITY MANAGEMENT PROGRAM (QMP) IDENTIFIES THE PARTICULAR QUALITY CONTROL SPECIFICATION THAT APPLIES TO THE HMA MIXTURE.

FILE NAME = P:\2011\ME11007\_Ver-Var-PhI\CADD\W006\_US14\_Shts\05-D160V25-sht-typical.dgn  
 PLOT SCALE = 1/8"=1'-0"  
 USER NAME = Millenna Professional Services

2600 Warrenville Road, Suite 203, Downers Grove, IL 60515  
 630.705.0110 voice, 630.839.2566 fax  
 www.mps-ill.com  
**MILLENNIA PROFESSIONAL SERVICES**

DESIGNED - TVN/MG	REVISED -
DRAWN - MG/JP	REVISED -
CHECKED - TVN	REVISED -
DATE - 3/14/2014	REVISED -

**STATE OF ILLINOIS  
DEPARTMENT OF TRANSPORTATION**

**US ROUTE 14 OVER LAWRENCE CREEK TRIBUTARY  
MAINLINE TYPICAL SECTIONS**

SCALE: N.T.S. SHEET NO. 1 OF 1 SHEETS STA. TO STA.

F.A.P. RTE.	SECTION	COUNTY	TOTAL SHEETS	SHEET NO.
066	21B-R	MCHENRY	40	5
CONTRACT NO. 60V25				
FED. ROAD DIST. NO. 1 ILLINOIS FED. AID PROJECT				

P:\2011\ME11007\_Ver-Var-PhI\CADD\W006\_US14\_Shts\05-D160V25-sht-typical.dgn