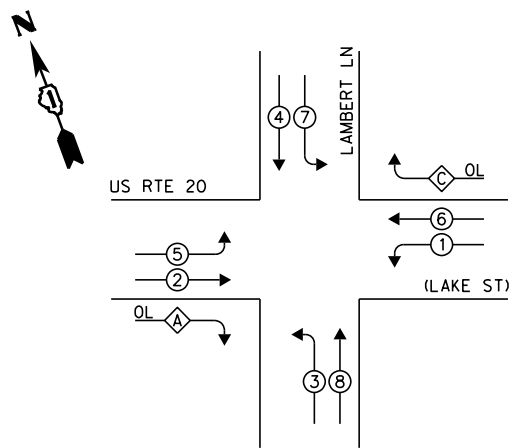


**EXISTING CONTROLLER SEQUENCE**

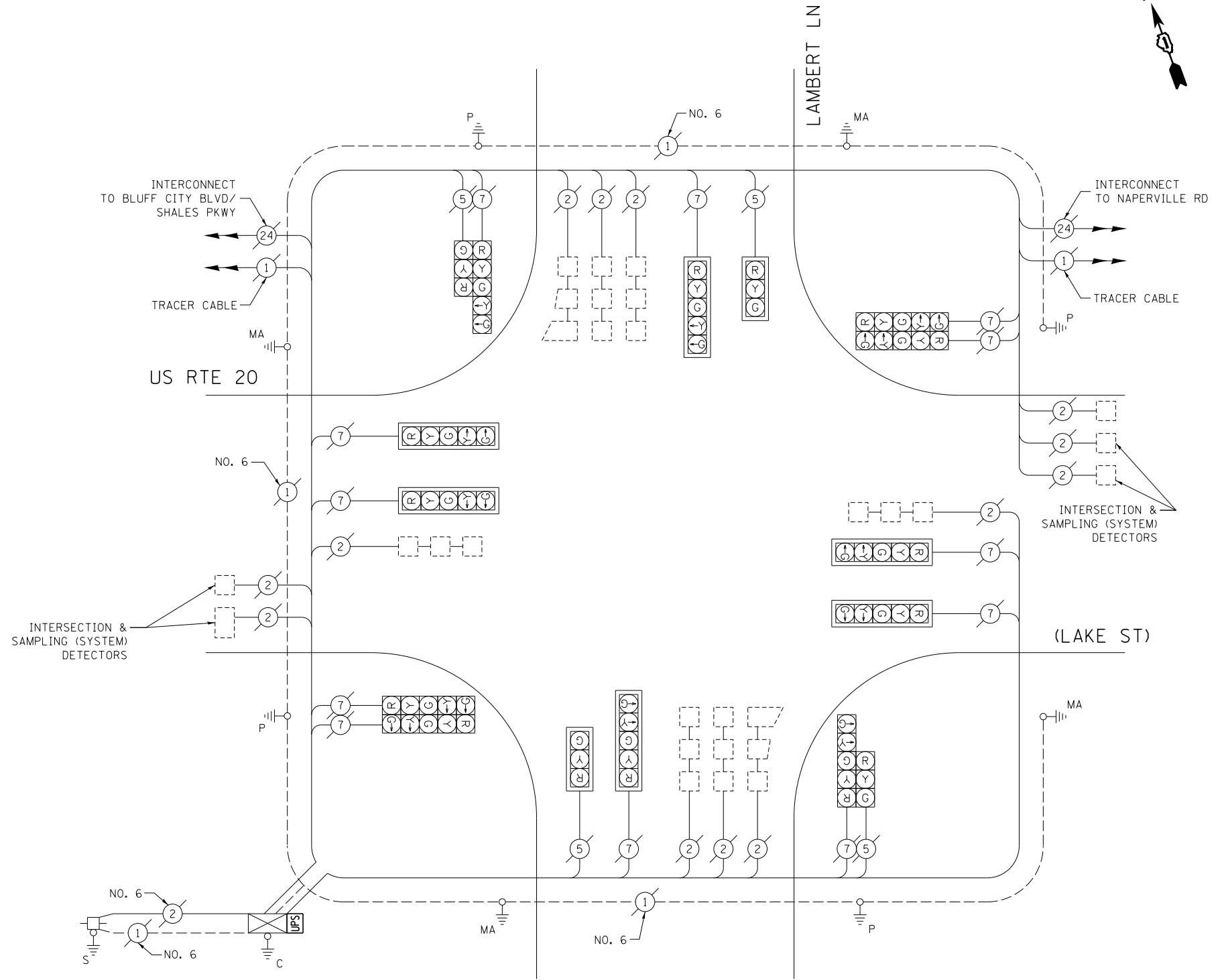


**LEGEND:**

- ◻ SINGLE ENTRY PHASE
- ◉ DUAL ENTRY PHASE
- ◉ PEDESTRIAN PHASE
- ◉ OVERLAP

OVERLAP LETTER	PERMISSIVE PHASE	PROTECTED PHASE
A	2	3
C	6	7

**EXISTING PHASE DESIGNATION DIAGRAM**



**CABLE PLAN**

(NOT TO SCALE)

**SCHEDULE OF QUANTITIES**

ITEM DESCRIPTION	UNIT	TOTAL QTY.
MAINTENANCE OF EXISTING TRAFFIC SIGNAL INSTALLATION	EACH	1
MODIFY EXISTING CONTROLLER CABINET	EACH	1
UNINTERRUPTABLE POWER SUPPLY, SPECIAL	EACH	1

I.D.O.T. TRAFFIC SIGNAL INSTALLATION ELECTRICAL SERVICE REQUIREMENTS					TOTAL WATTAGE
TYPE	NO. OF LAMPS	WATTAGE		% OPERATION	
SIGNAL (RED)	16	INCAND.	17	0.50	136.0
(YELLOW)	16		25	0.25	100.0
(GREEN)	16		15	0.25	60.0
ARROW	24		12	0.10	28.8
PED. SIGNAL	-		25	1.00	-
CONTROLLER	1		100	1.00	100.0
ILLUM. SIGN	-		25	0.05	-
VIDEO SYSTEM	-		150	1.00	-
FLASHER				0.50	
ENERGY COSTS TO:		TOTAL =			424.8

CITY OF ELGIN  
 150 DEXTER COURT  
 ELGIN, IL 60120  
 ENERGY SUPPLY: CONTACT: JOE STACHO  
 PHONE: (630) 424-5704  
 COMPANY: COMMONWEALTH EDISON

FILE NAME =	USER NAME = poc1echn	DESIGNED - IP	REVISED -
es:\pwork\p1dot\poc1echn\08381174\012314-sh-t-ts5.dgn		DRAWN - IP	REVISED -
Default	PLOT SCALE = 40.0000' / in.	CHECKED - AW / LP	REVISED -
	PLOT DATE = 5/16/2014	DATE - 5/15/2014	REVISED -

STATE OF ILLINOIS  
 DEPARTMENT OF TRANSPORTATION

CABLE PLAN, PHASE DESIGNATION DIAGRAM, AND SCHEDULE OF QUANTITIES			
US RTE 20 (LAKE ST) AT LAMBERT LN			
SCALE:	SHEET	OF SHEETS	STA. TO STA.

F.A. RTE.	SECTION	COUNTY	TOTAL SHEETS	SHEET NO.
--	2014-008T5	COOK	81	20
CONTRACT NO. 60X83				
ILLINOIS FED. AID PROJECT				

TS 503