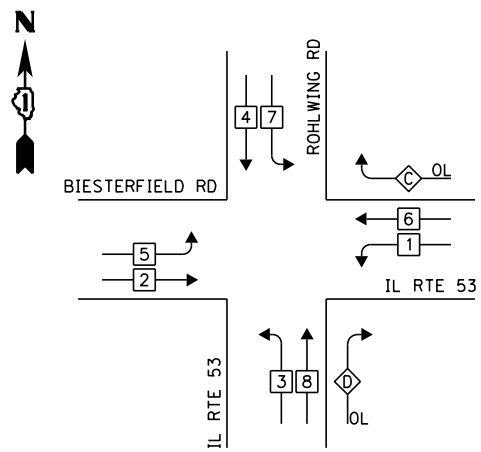
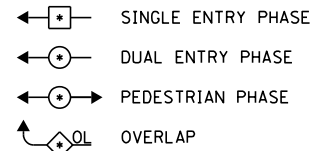


EXISTING CONTROLLER SEQUENCE



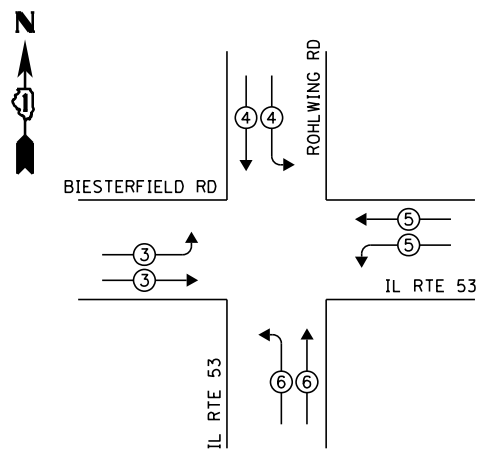
LEGEND:



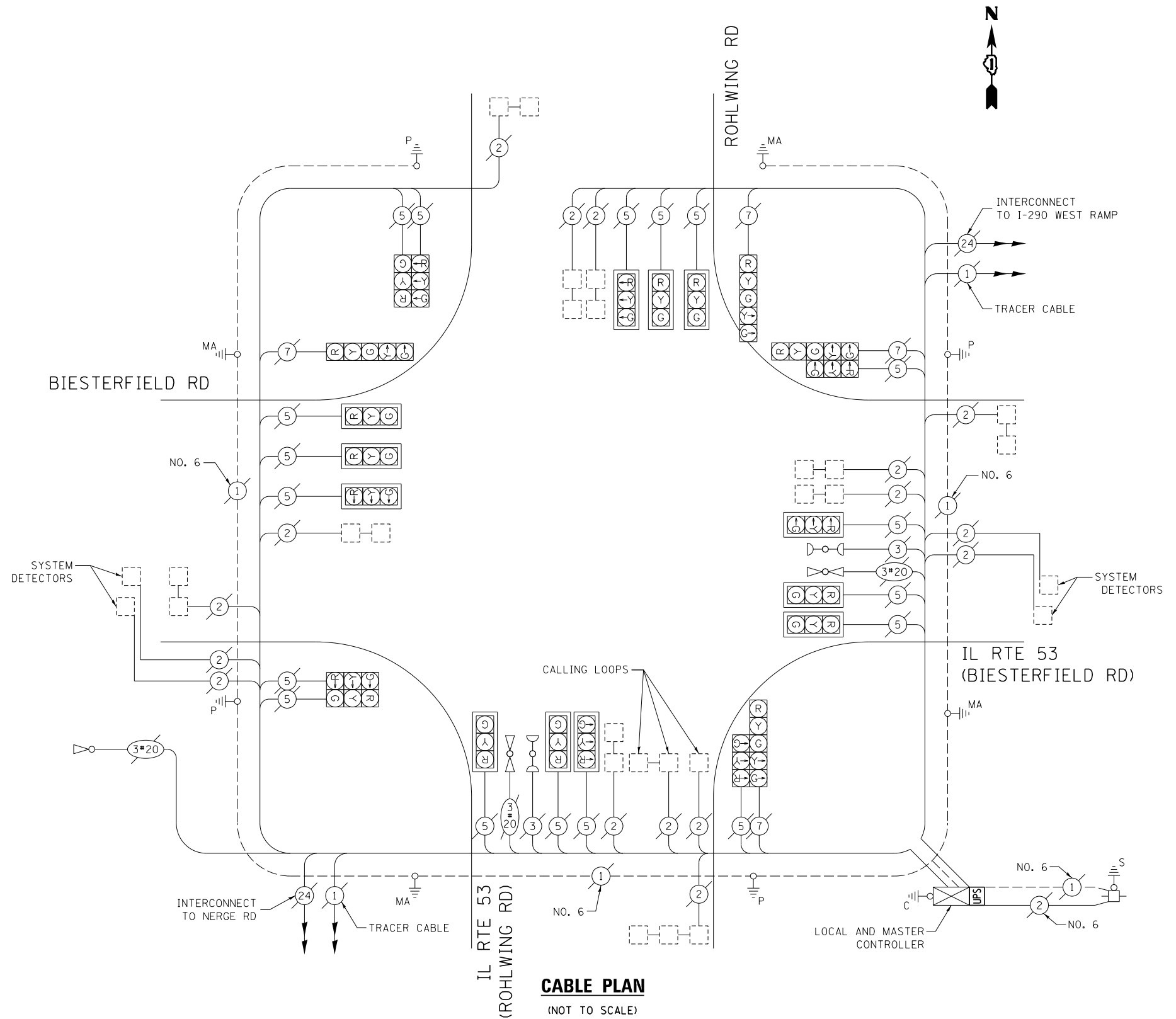
OVERLAP LETTER	PERMISSIVE PHASE	PROTECTED PHASE
C	= 6	+ 7
D	= 8	+ 1

EXISTING PHASE DESIGNATION DIAGRAM

EXISTING EMERGENCY VEHICLE PREEMPTION SEQUENCE



EXISTING EMERGENCY VEHICLE PREEMPTORS				
EMERGENCY VEHICLE PREEMPTOR	3	4	5	6
MOVEMENT	⇐	⇐⇐	⇐⇐⇐	⇐⇐⇐⇐



CABLE PLAN
(NOT TO SCALE)

SCHEDULE OF QUANTITIES

ITEM DESCRIPTION	UNIT	TOTAL QTY.
MAINTENANCE OF EXISTING TRAFFIC SIGNAL INSTALLATION	EACH	1
MODIFY EXISTING CONTROLLER CABINET	EACH	1
UNINTERRUPTABLE POWER SUPPLY, SPECIAL	EACH	1

I.D.O.T. TRAFFIC SIGNAL INSTALLATION ELECTRICAL SERVICE REQUIREMENTS					TOTAL WATTAGE
TYPE	NO. OF LAMPS	WATTAGE		% OPERATION	
SIGNAL (RED)	22	INCAND.	17	0.50	187.0
(YELLOW)	22		25	0.25	75.0
(GREEN)	22		15	0.25	45.0
ARROW	8		12	0.10	19.2
PED. SIGNAL	-		25	1.00	-
CONTROLLER	2		100	1.00	200.0
ILLUM. SIGN	-		25	0.05	-
VIDEO SYSTEM	-		150	1.00	-
FLASHER				0.50	
ENERGY COSTS TO:	TOTAL =				616.6

ELK GROVE VILLAGE
901 WELLINGTON AVE
ELK GROVE VILLAGE, IL 60007
ENERGY SUPPLY: CONTACT: DAVE SCHACHT
PHONE: (630) 437-2129
COMPANY: COMMONWEALTH EDISON

FILE NAME =	USER NAME = poc1echal	DESIGNED - IP	REVISED -
es:\pwwork\poc1echal\08381174\012314-sh-t-tsl.dgn		DRAWN - IP	REVISED -
Default		CHECKED - AW / LP	REVISED -
		DATE - 5/15/2014	REVISED -

STATE OF ILLINOIS
DEPARTMENT OF TRANSPORTATION

CABLE PLAN, PHASE DESIGNATION DIAGRAM, EMERGENCY VEHICLE PREEMPTION SEQUENCE, AND SCHEDULE OF QUANTITIES
IL RTE 53 (ROHLWING RD) AT BIESTERFIELD RD

SCALE: SHEET OF SHEETS STA. TO STA.

F.A. RTE.	SECTION	COUNTY	TOTAL SHEETS	SHEET NO.
--	2014-008T5	COOK	81	34
ILLINOIS FED. AID PROJECT			CONTRACT NO. 60X83	

TS 13150