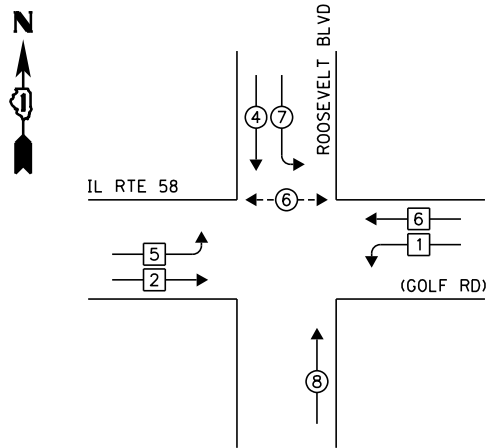


EXISTING CONTROLLER SEQUENCE

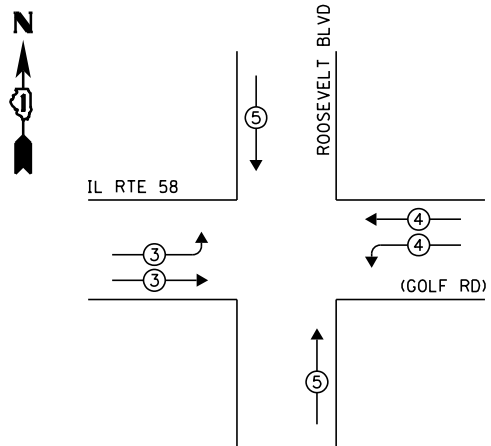


LEGEND:

- ◀ * → SINGLE ENTRY PHASE
- ◀ • → DUAL ENTRY PHASE
- ◀ • → PEDESTRIAN PHASE
- ◀ ◊ OL → OVERLAP

EXISTING PHASE DESIGNATION DIAGRAM

EXISTING EMERGENCY VEHICLE PREEMPTION SEQUENCE



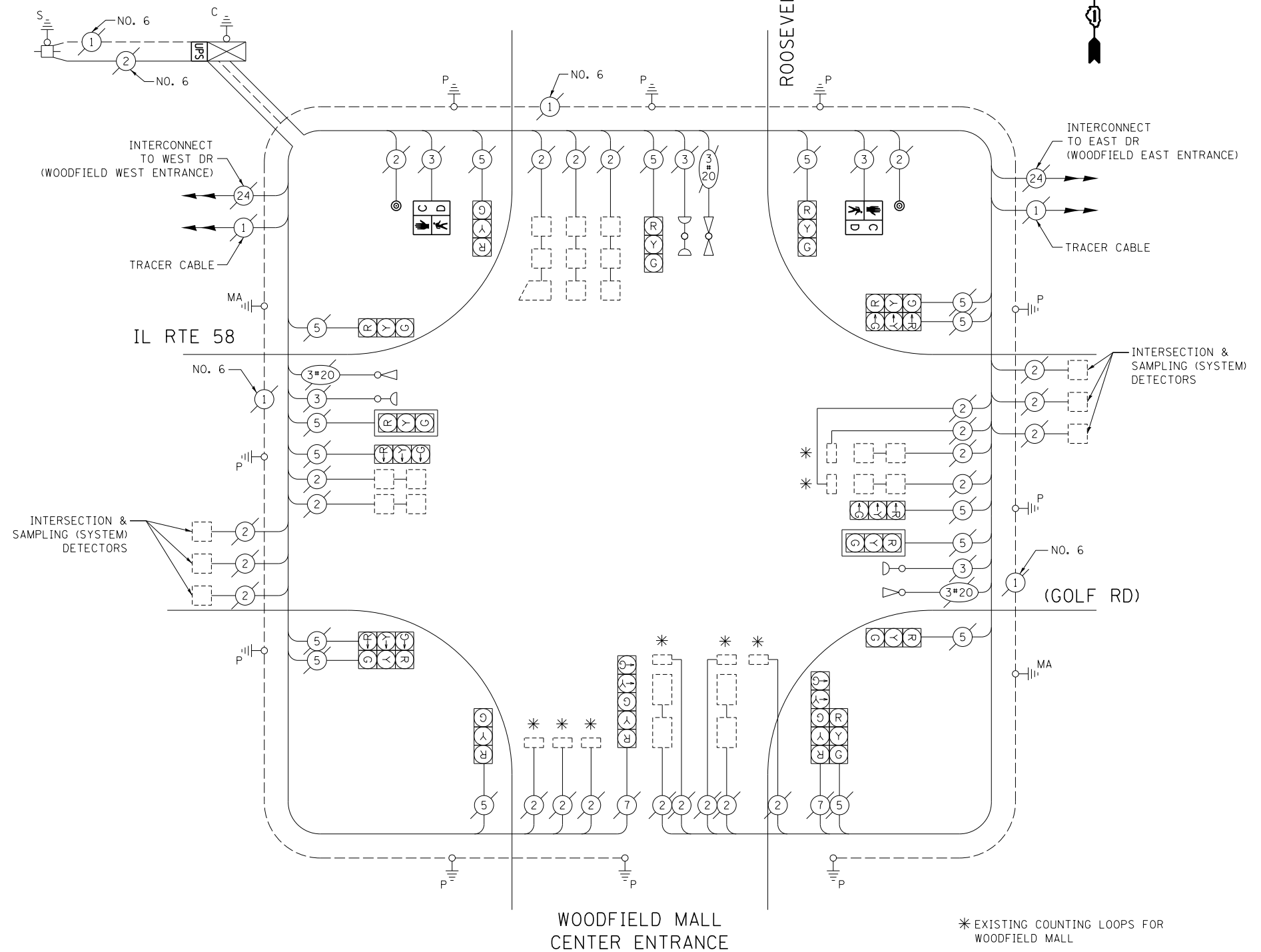
EXISTING EMERGENCY VEHICLE PREEMPTORS			
EMERGENCY VEHICLE PREEMPTOR	3	4	5
MOVEMENT	≡	≡	≡

I.D.O.T. TRAFFIC SIGNAL INSTALLATION ELECTRICAL SERVICE REQUIREMENTS					TOTAL WATTAGE
TYPE	NO. OF LAMPS	WATTAGE		% OPERATION	
SIGNAL (RED)	17	INCAND.	17	0.50	144.5
(YELLOW)	17		25	0.25	106.25
(GREEN)	17		15	0.25	63.75
ARROW	4		12	0.10	4.8
PED. SIGNAL	2		25	1.00	50.0
CONTROLLER	1		100	1.00	100.0
ILLUM. SIGN	-		25	0.05	-
VIDEO SYSTEM	-		150	1.00	-
FLASHER				0.50	
ENERGY COSTS TO:					TOTAL = 463.3

VILLAGE OF SCHAUMBURG
 101 SCHAUMBURG COURT
 SCHAUMBURG, IL 60193
 ENERGY SUPPLY: CONTACT: DAVE SCHACHT
 PHONE: (630) 437-2129
 COMPANY: COMMONWEALTH EDISON

SCHEDULE OF QUANTITIES

ITEM DESCRIPTION	UNIT	TOTAL QTY.
MAINTENANCE OF EXISTING TRAFFIC SIGNAL INSTALLATION	EACH	1
PEDESTRIAN SIGNAL HEAD, LED, 1-FACE, BRACKET MOUNTED W/ COUNTDOWN TIMER	EACH	2
PEDESTRIAN PUSH-BUTTON	EACH	2
MODIFY EXISTING CONTROLLER CABINET	EACH	1
REMOVE EXISTING TRAFFIC SIGNAL EQUIPMENT	EACH	1
UNINTERRUPTABLE POWER SUPPLY, SPECIAL	EACH	1



CABLE PLAN

(NOT TO SCALE)

THE FOLLOWING ITEMS SHALL BE REMOVED BY THE CONTRACTOR AND SHALL BE DISPOSED OF BY THEM OUTSIDE THE RIGHT-OF-WAY AT THEIR EXPENSE. THE SALVAGE VALUE OF THE REMOVED EQUIPMENT SHALL BE REFLECTED IN THE CONTRACT BID PRICE.

- 2 EACH PEDESTRIAN SIGNAL HEAD
- 2 EACH PEDESTRIAN PUSH-BUTTON

FILE NAME = USER NAME = poc1echal
 es:\pwwork\p1dot\poc1echal\08381174\012314-sh-t-ts2.dgn
 PLOT SCALE = 40.0000' / in.
 PLOT DATE = 5/16/2014

DESIGNED - IP
 DRAWN - IP
 CHECKED - AW / LP
 DATE - 5/15/2014

STATE OF ILLINOIS
 DEPARTMENT OF TRANSPORTATION

CABLE PLAN, PHASE DESIGNATION DIAGRAM, EMERGENCY VEHICLE PREEMPTION SEQUENCE, AND SCHEDULE OF QUANTITIES
 IL RTE 58 (GOLF RD) AT ROOSEVELT BLVD

SCALE: SHEET OF SHEETS STA. TO STA.

F.A. RTÉ. SECTION COUNTY COUNTY SHEETS SHEET NO.
 -- 2014-008T5 COOK 81 66
 CONTRACT NO. 60X83
 ILLINOIS FED. AID PROJECT

TS 8780