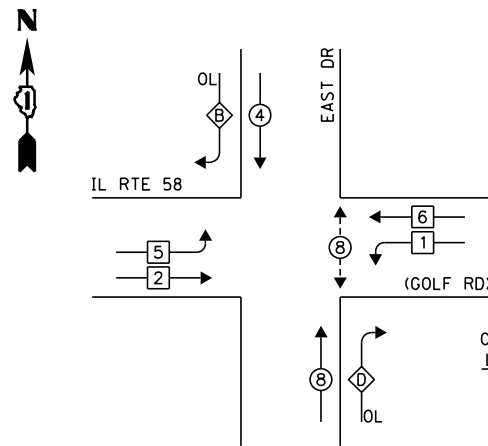


EXISTING CONTROLLER SEQUENCE



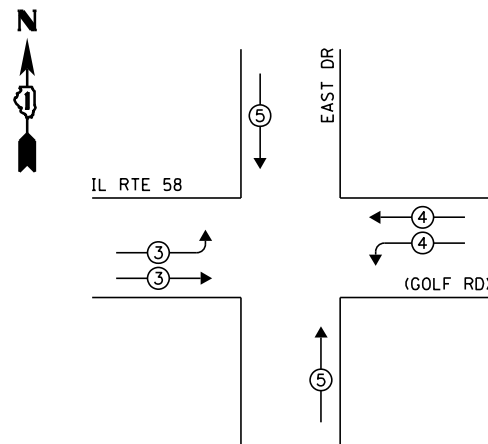
LEGEND:

- ◀◻▶ SINGLE ENTRY PHASE
- ◀◉▶ DUAL ENTRY PHASE
- ◀◉▶ PEDESTRIAN PHASE
- ◀◉▶ OVERLAP

OVERLAP LETTER	PERMISSIVE PHASE	PROTECTED PHASE
B	4	5
D	8	1

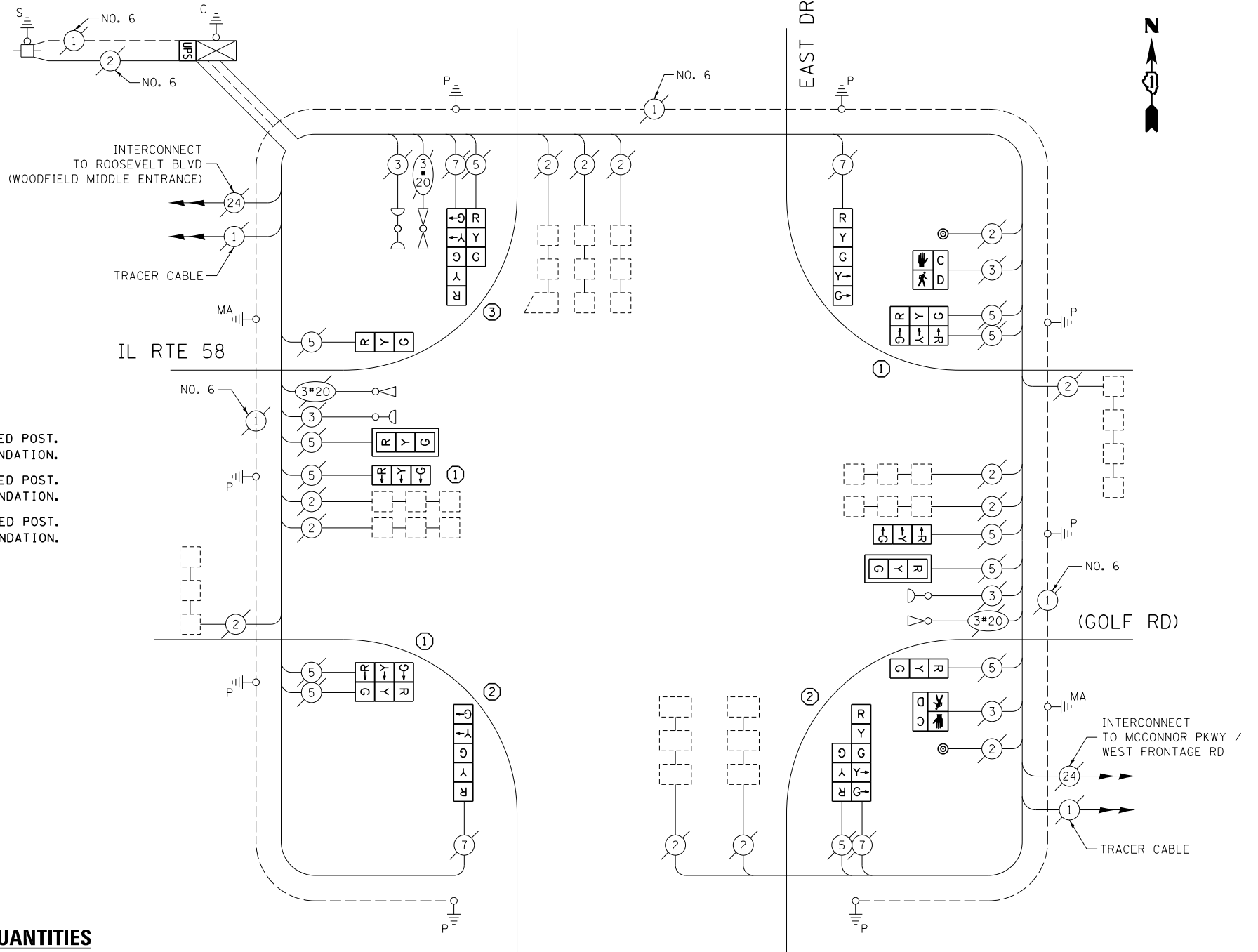
EXISTING PHASE DESIGNATION DIAGRAM

EXISTING EMERGENCY VEHICLE PREEMPTION SEQUENCE



EXISTING EMERGENCY VEHICLE PREEMPTORS			
EMERGENCY VEHICLE PREEMPTOR	3	4	5
MOVEMENT	≡	≡	≡

- ① REPLACE 14 FT PAINTED POST. RE-USE EXISTING FOUNDATION.
- ② REPLACE 16 FT PAINTED POST. RE-USE EXISTING FOUNDATION.
- ③ REPLACE 18 FT PAINTED POST. RE-USE EXISTING FOUNDATION.



WOODFIELD MALL EAST ENTRANCE

CABLE PLAN

(NOT TO SCALE)

THE FOLLOWING ITEMS SHALL BE REMOVED BY THE CONTRACTOR AND SHALL BE DISPOSED OF BY THEM OUTSIDE THE RIGHT-OF-WAY AT THEIR EXPENSE. THE SALVAGE VALUE OF THE REMOVED EQUIPMENT SHALL BE REFLECTED IN THE CONTRACT BID PRICE.

6	EACH	TRAFFIC SIGNAL POST
12	EACH	3-SECTION SIGNAL HEAD
4	EACH	5-SECTION SIGNAL HEAD
2	EACH	TRAFFIC SIGNAL BACKPLATE
2	EACH	PEDESTRIAN SIGNAL HEAD
2	EACH	PEDESTRIAN PUSH-BUTTON

SCHEDULE OF QUANTITIES

ITEM DESCRIPTION	UNIT	TOTAL QTY.
MAINTENANCE OF EXISTING TRAFFIC SIGNAL INSTALLATION	EACH	1
TRAFFIC SIGNAL POST, GALVANIZED STEEL 14 FT.	EACH	3
TRAFFIC SIGNAL POST, GALVANIZED STEEL 16 FT.	EACH	2
TRAFFIC SIGNAL POST, GALVANIZED STEEL 18 FT.	EACH	1
SIGNAL HEAD, LED, 1-FACE, 3-SECTION, MAST-ARM MOUNTED	EACH	2
SIGNAL HEAD, LED, 1-FACE, 3-SECTION, BRACKET MOUNTED	EACH	4
SIGNAL HEAD, LED, 1-FACE, 5-SECTION, BRACKET MOUNTED	EACH	2
SIGNAL HEAD, LED, 2-FACE, 3-SECTION, BRACKET MOUNTED	EACH	2
SIGNAL HEAD, LED, 2-FACE, 1-3 SECTION, 1-5 SECTION, BRACKET MOUNTED	EACH	2
PEDESTRIAN SIGNAL HEAD, LED, 1-FACE, BRACKET MOUNTED W/ COUNTDOWN TIMER	EACH	2
TRAFFIC SIGNAL BACKPLATE, LOUVERED, ALUMINUM	EACH	2
PEDESTRIAN PUSH-BUTTON	EACH	2
MODIFY EXISTING CONTROLLER CABINET	EACH	1
REMOVE EXISTING TRAFFIC SIGNAL EQUIPMENT	EACH	1
UNINTERRUPTABLE POWER SUPPLY, SPECIAL	EACH	1
REMOVE AND REPLACE ANCHOR BOLTS	EACH	3

I.D.O.T. TRAFFIC SIGNAL INSTALLATION ELECTRICAL SERVICE REQUIREMENTS					TOTAL WATTAGE
TYPE	NO. OF LAMPS	WATTAGE		% OPERATION	
SIGNAL (RED)	16	INCAND.	17	0.50	136.0
(YELLOW)	16		25	0.25	100.0
(GREEN)	16		15	0.25	60.0
ARROW	8		12	0.10	9.6
PED. SIGNAL	2		25	1.00	50.0
CONTROLLER	1		100	1.00	100.0
ILLUM. SIGN	-		25	0.05	-
VIDEO SYSTEM	-		150	1.00	-
FLASHER				0.50	
ENERGY COSTS TO:		TOTAL =			455.6

VILLAGE OF SCHAUMBURG
101 SCHAUMBURG COURT
SCHAUMBURG, IL 60193

ENERGY SUPPLY: CONTACT: DAVE SCHACHT
PHONE: (630) 437-2129
COMPANY: COMMONWEALTH EDISON