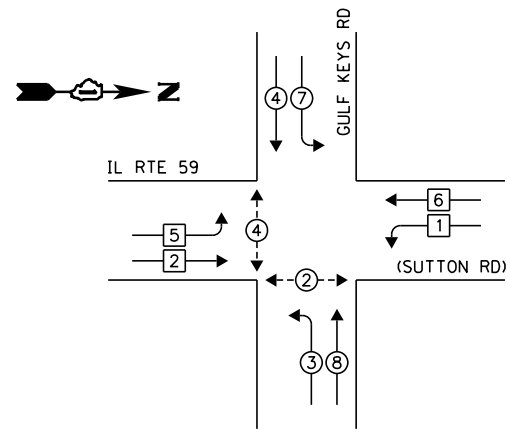


EXISTING CONTROLLER SEQUENCE



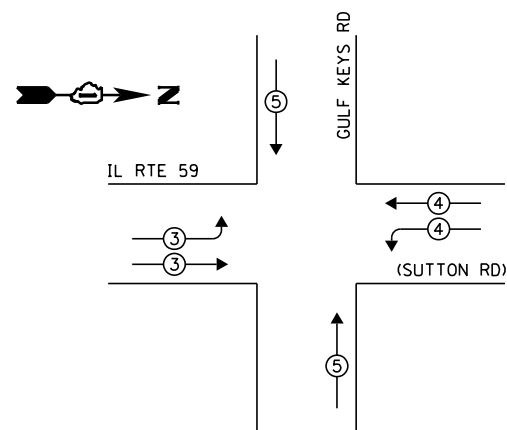
LEGEND:

- ◀ ⊠ ▶ SINGLE ENTRY PHASE
- ◀ ⊙ ▶ DUAL ENTRY PHASE
- ◀ ⊙ ▶ PEDESTRIAN PHASE
- ◀ ⊙ ▶ OVERLAP

NOTE:
PUSH BUTTON "A" SHALL PLACE A CALL IN PHASES 2 AND 4

EXISTING PHASE DESIGNATION DIAGRAM

EXISTING EMERGENCY VEHICLE PREEMPTION SEQUENCE



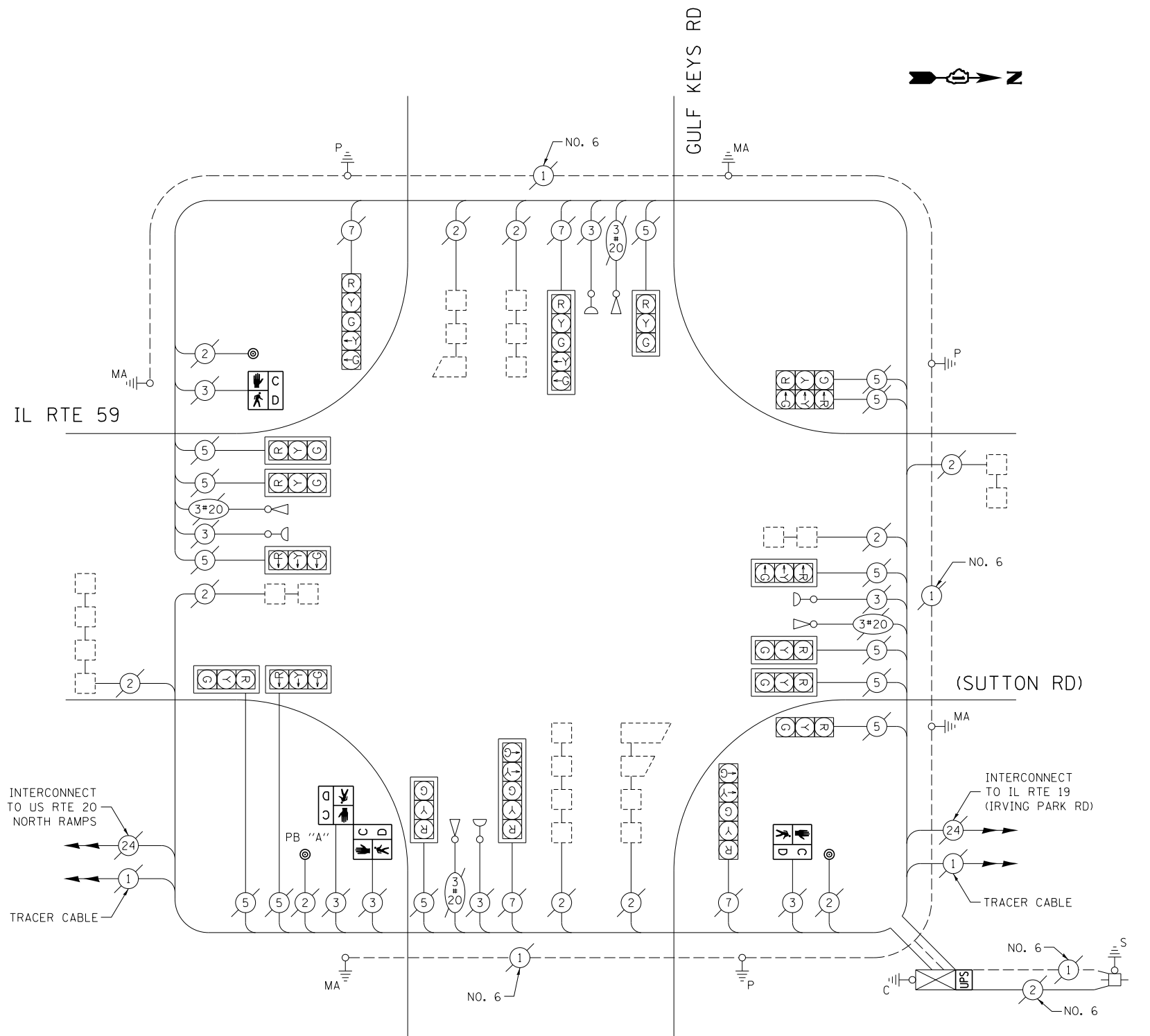
EXISTING EMERGENCY VEHICLE PREEMPTORS			
EMERGENCY VEHICLE PREEMPTOR	3	4	5
MOVEMENT			

I.D.O.T. TRAFFIC SIGNAL INSTALLATION ELECTRICAL SERVICE REQUIREMENTS					TOTAL WATTAGE
TYPE	NO. OF LAMPS	WATTAGE		% OPERATION	
SIGNAL (RED)	17	INCAND.	17	0.50	144.5
(YELLOW)	17		25	0.25	106.25
(GREEN)	17		15	0.25	63.75
ARROW	8		12	0.10	9.6
PED. SIGNAL	4		25	1.00	50.0
CONTROLLER	1		100	1.00	100.0
ILLUM. SIGN	-		25	0.05	-
VIDEO SYSTEM	-		150	1.00	-
FLASHER				0.50	
ENERGY COSTS TO:					TOTAL = 474.1

VILLAGE OF STREAMWOOD
301 E. IRVING PARK RD
STREAMWOOD, IL 60107
ENERGY SUPPLY: CONTACT: JOE STACHO
PHONE: (630) 424-5704
COMPANY: COMMONWEALTH EDISON

SCHEDULE OF QUANTITIES

ITEM DESCRIPTION	UNIT	TOTAL QTY.
MAINTENANCE OF EXISTING TRAFFIC SIGNAL INSTALLATION	EACH	1
PEDESTRIAN SIGNAL HEAD, LED, 1-FACE, BRACKET MOUNTED W/ COUNTDOWN TIMER	EACH	2
PEDESTRIAN SIGNAL HEAD, LED, 2-FACE, BRACKET MOUNTED W/ COUNTDOWN TIMER	EACH	1
MODIFY EXISTING CONTROLLER CABINET	EACH	1
REMOVE EXISTING TRAFFIC SIGNAL EQUIPMENT	EACH	1
UNINTERRUPTABLE POWER SUPPLY, SPECIAL	EACH	1
PEDESTRIAN PUSH-BUTTON, NON-LATCHING	EACH	3



CABLE PLAN

(NOT TO SCALE)

THE FOLLOWING ITEMS SHALL BE REMOVED BY THE CONTRACTOR AND SHALL BE DISPOSED OF BY THEM OUTSIDE THE RIGHT-OF-WAY AT THEIR EXPENSE. THE SALVAGE VALUE OF THE REMOVED EQUIPMENT SHALL BE REFLECTED IN THE CONTRACT BID PRICE.

- 4 EACH PEDESTRIAN SIGNAL HEAD
- 3 EACH PEDESTRIAN PUSH-BUTTON

FILE NAME =	USER NAME = poc1echal	DESIGNED - IP	REVISED -
et:\pw_work\p1dot\poc1echal\08381174\012314-sh-t-ts3.dgn		DRAWN - IP	REVISED -
Default	PLOT SCALE = 40.0000' / in.	CHECKED - AW / LP	REVISED -
	PLOT DATE = 5/16/2014	DATE - 5/15/2014	REVISED -

STATE OF ILLINOIS
DEPARTMENT OF TRANSPORTATION

CABLE PLAN, PHASE DESIGNATION DIAGRAM, EMERGENCY VEHICLE PREEMPTION SEQUENCE, AND SCHEDULE OF QUANTITIES
IL RTE 59 (SUTTON RD) AT GULF KEYS RD
SCALE: SHEET OF SHEETS STA. TO STA.

F.A. RTE.	SECTION	COUNTY	TOTAL SHEETS	SHEET NO.
--	2014-008T5	COOK	81	81
CONTRACT NO. 60X83				
ILLINOIS FED. AID PROJECT				

TS 1937