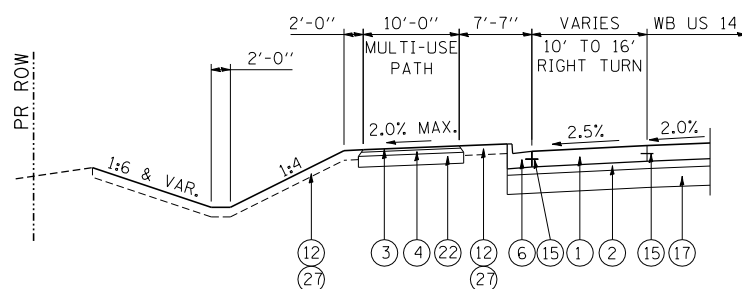


DETAIL B-1A

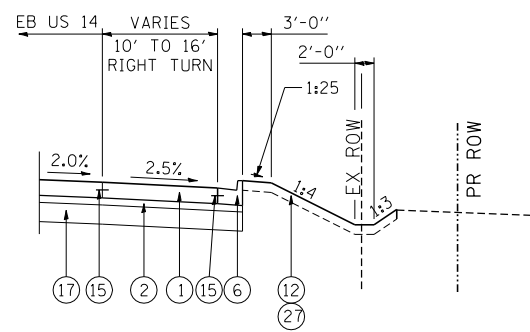
FROM STA. 361+39.85 TO STA. 364+83.68

MULTI-USE PATH IS 8' WIDE BETWEEN STA. 364+80.68 AND STA. 365+17.14



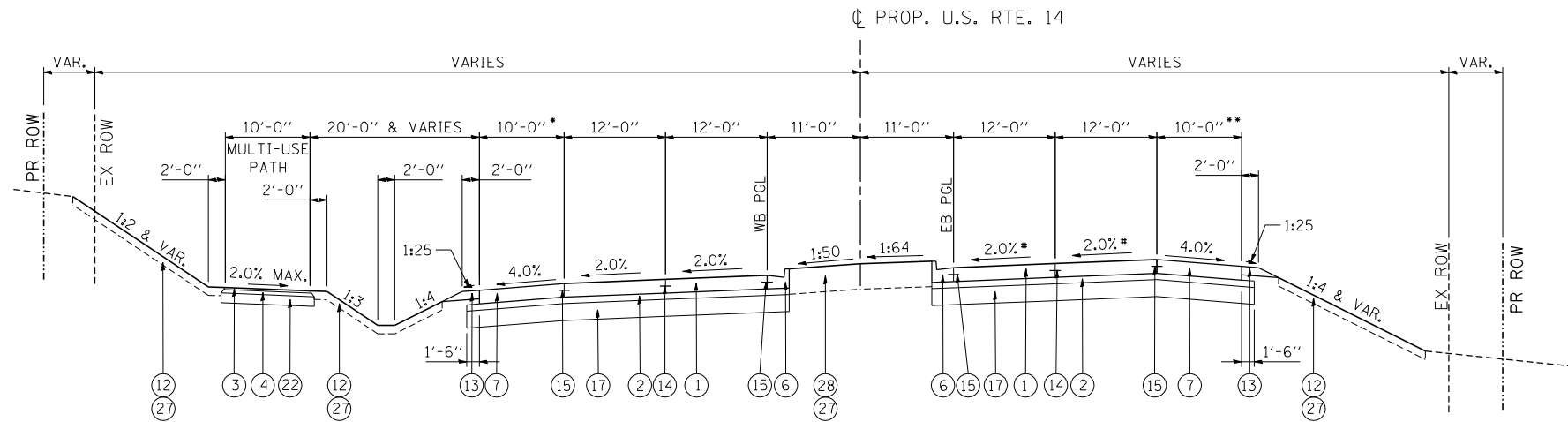
DETAIL B-1B

FROM STA. 366+16.29 TO STA. 370+46.85



DETAIL B-2

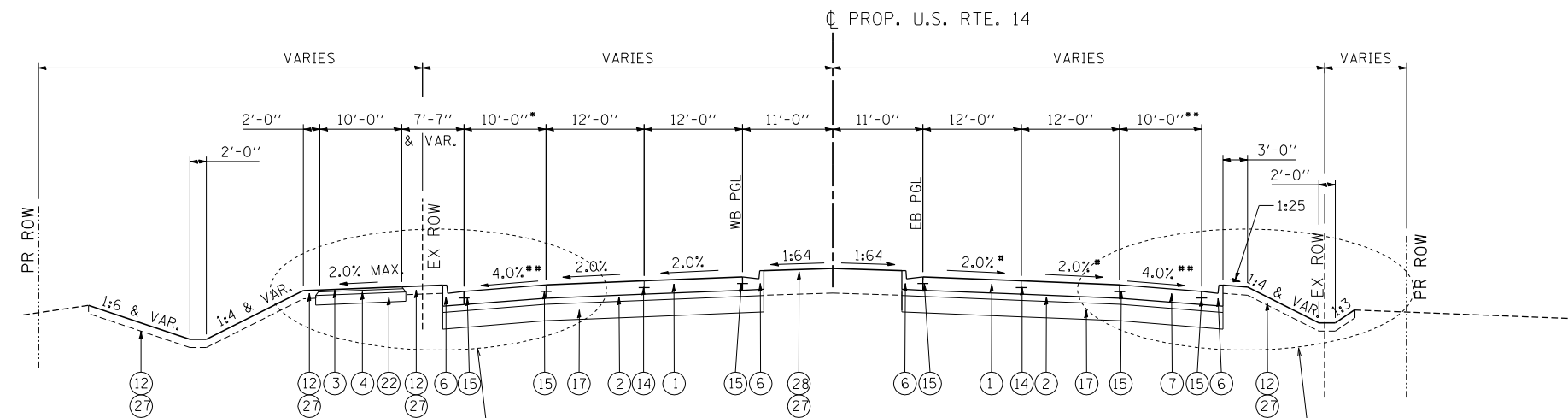
FROM STA. 360+59.49 TO STA. 365+02.14



PROPOSED U.S. ROUTE 14

FROM STA. 345+66.27 (PT) TO STA. 357+72.10 (PT)

- # PAVEMENT CROSS SLOPE VARIES THRU SUPERELEVATION TRANSITION (SEE SHEET 77)
- * SHOULDER 12' & VARIES FROM STA. 349+15.72 TO STA. 351+47.08
- ** SHOULDER 12' & VARIES FROM STA. 350+86.36 TO STA. 353+05.64



PROPOSED U.S. ROUTE 14

FROM STA. 357+72.10 (PT) TO STA. 380+71.55 (PC)

- # PAVEMENT CROSS SLOPE VARIES THRU SUPERELEVATION TRANSITION (SEE SHEET 78)
- ** SHOULDER CROSS SLOPES VARY:
 - 4.0% TO -2.5% FROM STA. 360+30 TO STA. 360+60 (RT)
 - 2.5% TO -4.0% FROM STA. 370+45 TO STA. 370+75 (LT)
 - 4.0% TO -2.0% FROM STA. 372+90 TO STA. 373+30 (RT)
 - 2.0% TO -4.0% FROM STA. 374+30 TO STA. 374+70 (RT)
- * SHOULDER 12' & VARIES FROM STA. 363+35 TO STA. 365+16
- ** SHOULDER 12' & VARIES FROM STA. 365+93 TO STA. 367+70

NOTES

1. SEE SHEET 24 FOR LEFT TURN LANE DETAILS.

EXISTING LEGEND

- (A) HMA PAVEMENT (VARIES 8" TO 12")
- (B) PCC PAVEMENT (VARIES 6 1/2" TO 8 1/4")
- (C) HMA PAVEMENT (4 1/2" AND VARIES)
- (D) HMA PAVEMENT (5" AND VARIES)
- (E) HMA PAVEMENT (6" AND VARIES)
- (F) CONCRETE MEDIAN SURFACE
- (G) CONCRETE CURB & GUTTER
- (H) HMA SHOULDER (8" & VARIES)
- (I) PCC BASE COURSE (10")
- (J) AGGREGATE SHOULDER
- (K) HMA SURFACE REMOVAL (VARIABLE DEPTH)
- (L) HMA SURFACE REMOVAL (2 1/4" MIN - COLD MILL)
- (M) HMA BINDER AND SURFACE CSE (3 1/2" & VARIES)

PROPOSED LEGEND

- (1) P.C.C. PAVEMENT 9 3/4" JOINTED
- (2) STABILIZED SUBBASE (HMA) 4 1/2"
- (3) HOT-MIX ASPHALT SURFACE COURSE, MIX "D", N50, 1 1/2"
- (4) HOT-MIX ASPHALT BINDER COURSE, IL-19.0, N50, 2 1/2"
- (5) COMB CC&G TB6.12
- (6) COMB CC&G TB6.24
- (7) PCC SHOULDERS, 9 3/4"
- (8) COURSE AGGREGATE FILL
- (9) HMA SHOULDERS, 8"
- (10) CONCRETE MEDIAN, TYPE SB (SPECIAL)
- (11) CONCRETE MEDIAN SURFACE 4"
- (12) TOPSOIL 6"
- (13) AGGREGATE SHOULDER, TYPE B 6"

- (14) LONGITUDINAL SAWED JOINT WITH NO. 6 TIE BARS @ 30" CTS
- (15) LONGITUDINAL CONSTRUCTION JOINT WITH NO. 6 TIE BARS @ 24" CTS
- (16) NO. 6 TIE BARS @ 24" CTS
- (17) AGGREGATE SUBGRADE IMPROVEMENT, 12"
- (18) STRIP REFLECTIVE CRACK CONTROL TREATMENT
- (19) HOT MIX-ASHPALT BASE COURSE WIDENING 6 1/4"
- (20) HOT-MIX ASPHALT SURFACE COURSE, MIX "D", N70, 2"
- (21) HOT-MIX ASPHALT BASE COURSE WIDENING 7"
- (22) AGGREGATE BASE COURSE, TYPE B 10" (SEE NOTE 14 SHEET 3)
- (23) HOT-MIX ASPHALT PAVEMENT (FULL-DEPTH), 8 1/4" HMA SURFACE COURSE, MIX "D", N70, 2" HMA BINDER COURSE, IL-19.0, N70, 6 1/4"
- (24) LONGITUDINAL CONSTRUCTION JOINT WITH NO. 8 DOWEL BAR @ 24" CTS

- (25) HMA DRIVEWAY (SEE DISTRICT DETAIL BD-01)
- (26) HOT-MIX ASPHALT PAVEMENT (FULL-DEPTH), 9" HMA SURFACE COURSE, MIX "D", N70, 2" HMA BINDER COURSE, IL-19.0, N70, 7"
- (27) SODDING OR SEEDING (SEE LANDSCAPING PLANS)
- (28) TOPSOIL 18"
- (29) AGGREGATE SHOULDER, TYPE B 8"
- (30) CORRUGATED MEDIAN
- (31) HOT-MIX ASPHALT SURFACE COURSE, MIX "D", N70 1 1/2"
- (32) P.C.C. BASE COURSE WIDENING 10"
- (33) AGGREGATE WEDGE SHOULDER, TYPE B
- (34) COMB CC&G TM4.06
- (35) COMB CC&G TM4.24

- (36) POLYMERIZED LEVELING BINDER (MACHINE METHOD), IL-4.75, N50, (3/4" & VARIES)
- (37) TOPSOIL 24"
- (38) GRADING AND SHAPING SHOULDERS
- (39) AGGREGATE SURFACE COURSE, TYPE B SPECIAL 2"
- (40) AGGREGATE BASE COURSE, TYPE B 6"
- (41) SHOULDER RUMBLE STRIPS, 8 INCH

ATT:BD08J1.DGN, G:\E\N08\17.DGN, \TSC000_06.DGN
 11-07-2013, 16:18:31
 HECHTBR T:\DOCUMENT\1934\9901\CIVIL\DOCS\TSC000_06.DGN

FILE NAME =	USER NAME = HECHTBR	DESIGNED -	REVISED -	STATE OF ILLINOIS DEPARTMENT OF TRANSPORTATION U.S. ROUTE 14				PROPOSED TYPICAL SECTIONS U.S. ROUTE 14 STA. 345 + 66.27 TO STA. 380 + 71.55				F.A.P. RTE.	SECTION	COUNTY	TOTAL SHEETS	SHEET NO.
#FILEL#	PLOT SCALE = #SCALE#	DRAWN - MRK	REVISED -									305	27R-2	MCHENRY	673	20
exp U.S. Services Inc. Chicago, IL	PLOT DATE = #DATE#	CHECKED - BRH	REVISED -	SCALE: N.T.S.				SHEET NO. OF SHEETS STA. TO STA.				CONTRACT NO. 62268				
				DATE - 11/01/13								FED. ROAD DIST. NO. 1 ILLINOIS FED. AID PROJECT				