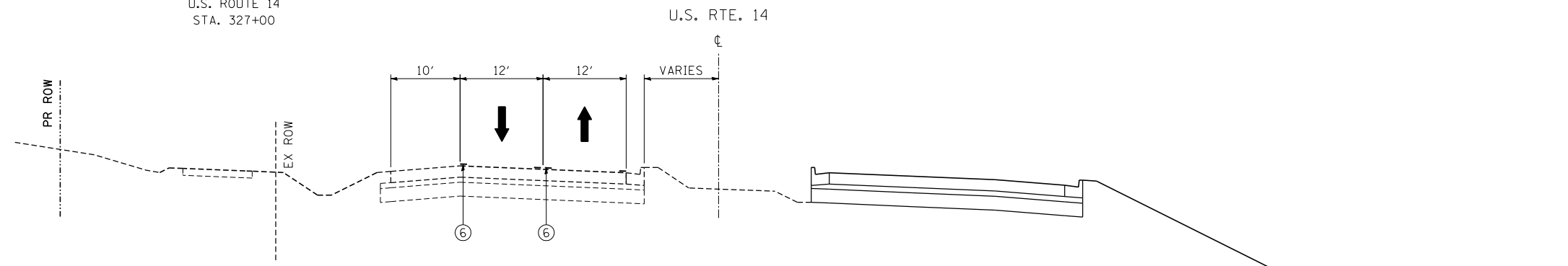


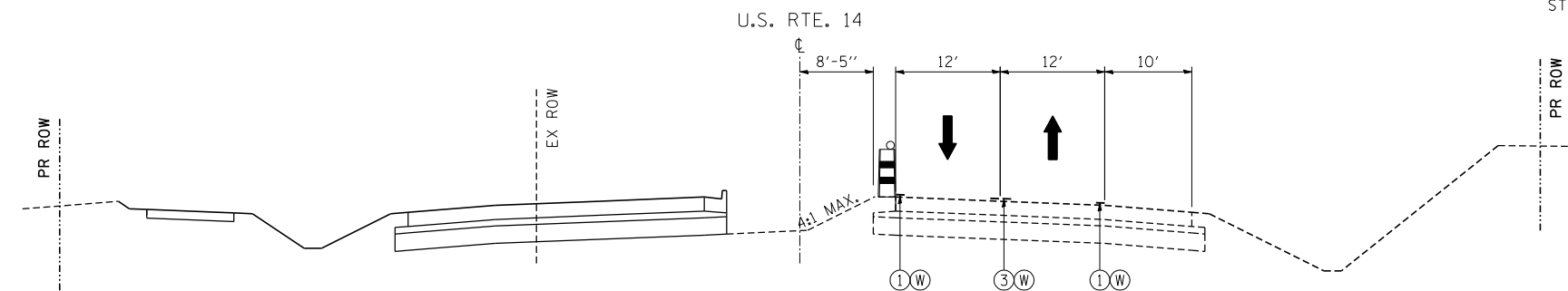
MOT STAGE 2.1 TYPICAL SECTION II-II

U.S. ROUTE 14  
STA. 327+00



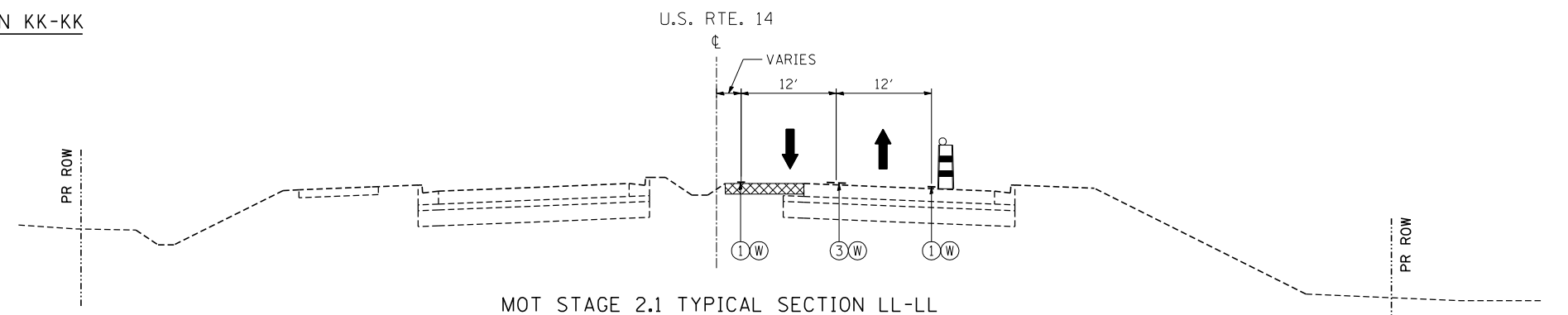
MOT STAGE 2.1 TYPICAL SECTION JJ-JJ

U.S. ROUTE 14  
STA. 335+00



MOT STAGE 2.1 TYPICAL SECTION KK-KK

U.S. ROUTE 14  
STA. 405+00



MOT STAGE 2.1 TYPICAL SECTION LL-LL

U.S. ROUTE 14  
STA. 480+00

**MAINTENANCE OF TRAFFIC LEGEND**

- |  |  |  |  |   |                           |   |                     |
|--|--|--|--|---|---------------------------|---|---------------------|
|  | TEMPORARY PAVEMENT<br>(SEE SHT 83 FOR SECTION)                             |  | DOUBLE VERTICAL PANEL<br>WITH TYPE C STEADY<br>BURN BI-DIRECTIONAL LIGHT | ① | PVT MK - LINE 4" WHITE    | Ⓣ | TEMP PVT MK         |
|  | TEMPORARY CONCRETE BARRIER   |  | EXISTING TRAFFIC DIRECTION   | ② | PVT MK - LINE 4" YELLOW   | Ⓜ | WET REF TEM TAPE T3 |
|  | TYPE II BARRICADE OR DRUM<br>W/ TYPE C STEADY BURN<br>BI-DIRECTIONAL LIGHT |  | PROPOSED TRAFFIC DIRECTION   | ③ | PVT MK - DBL 4" YELLOW    |   |                     |
|  |  |  |  | ④ | PVT MK - LINE 6" WHITE    |   |                     |
|  |  |  |  | ⑤ | PVT MK - LINE 8" WHITE    |   |                     |
|  |  |  |  | ⑥ | EXISTING PAVEMENT MARKING |   |                     |

\NTSC00\31\DOCN\NTTB006\JJ.DGN, \GEN004\77.DGN, \HECHTBR T:\DOCUMENT\934\9901\CIVIL\DOCN\TSC00\_PP.DGN  
 11-07-2013, 16:25:44

FILE NAME = #FILEL#	USER NAME = HECHTBR	DESIGNED -	REVISED -
		DRAWN - JP	REVISED -
		CHECKED - BRH	REVISED -
		DATE - 11/01/13	REVISED -
	PLOT SCALE = #SCALE#		
	PLOT DATE = #DATE#		

**STATE OF ILLINOIS**  
**DEPARTMENT OF TRANSPORTATION**  
 U.S. ROUTE 14

<b>MOT TYPICAL SECTIONS</b>			
<b>U.S. ROUTE 14</b>			
<b>STAGE 2.1</b>			
SCALE: N.T.S.	SHEET NO.	OF SHEETS	STA. TO STA.

F.A.P. RTE.	SECTION	COUNTY	TOTAL SHEETS	SHEET NO.
305	27R-2	MCHENRY	673	91
CONTRACT NO. 62268				
FED. ROAD DIST. NO. 1 ILLINOIS FED. AID PROJECT				