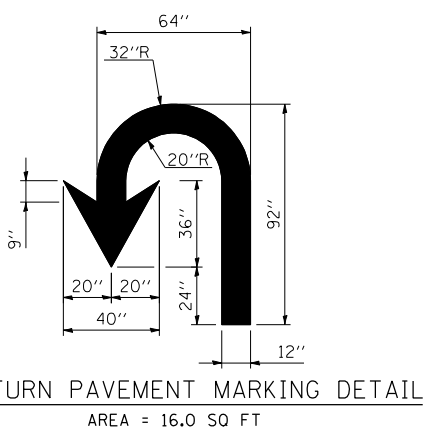
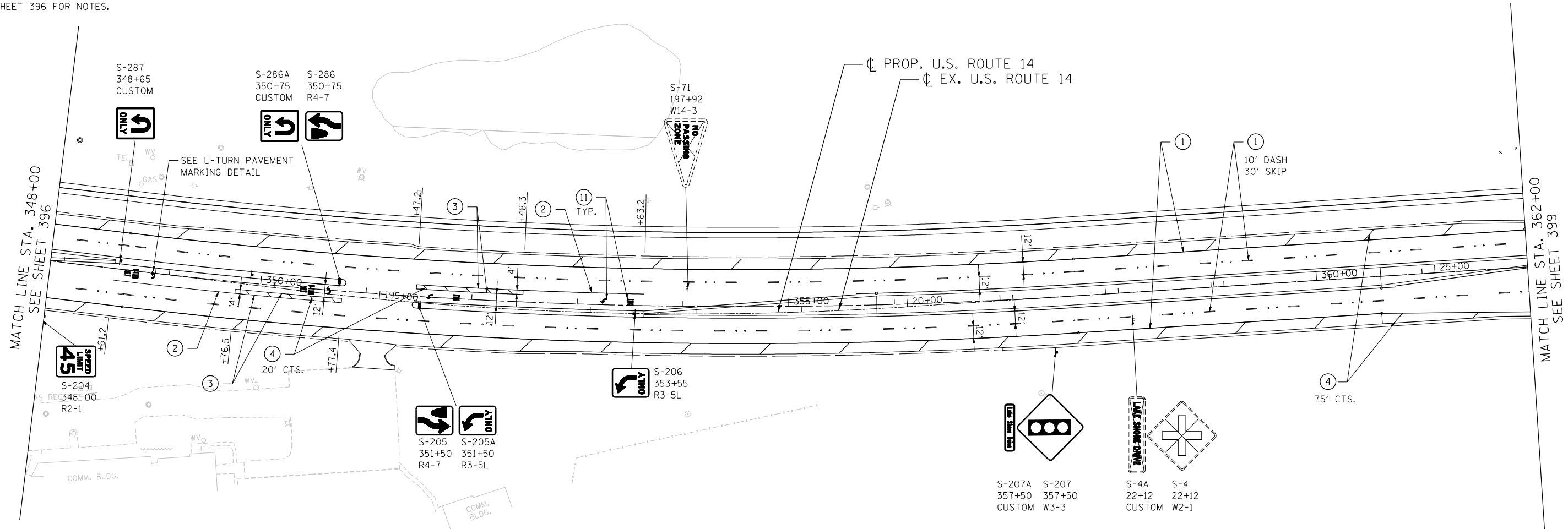


PAVEMENT MARKING & SIGNING LEGEND

- | | | | |
|-------------------------------------|--|--------------------------------------|--------------------------------------|
| ① PAVEMENT MARKING - LINE 4" WHITE | ⑦ PAVEMENT MARKING - LINE 6" YELLOW | EX. SIGN TO BE REMOVED ONLY | PROP. LOCATION OF RELOCATED EX. SIGN |
| ② PAVEMENT MARKING - LINE 6" WHITE | ⑧ PAVEMENT MARKING - LINE 8" YELLOW | EX. SIGN TO BE REMOVED AND RELOCATED | PROP. GROUND SIGN |
| ③ PAVEMENT MARKING - LINE 8" WHITE | ⑨ PAVEMENT MARKING - LINE 12" YELLOW | | ⊣ EXISTING GROUND SIGN |
| ④ PAVEMENT MARKING - LINE 12" WHITE | ⑩ PAVEMENT MARKING - DOUBLE LINE 4" YELLOW | | ⊣ PROPOSED GROUND SIGN |
| ⑤ PAVEMENT MARKING - LINE 24" WHITE | ⑪ PAVEMENT MARKING - LETTERS AND SYMBOLS | | |
| ⑥ PAVEMENT MARKING - LINE 4" YELLOW | ◁ ONE-WAY CRYSTAL MARKER | | |

NOTE:
SEE SHEET 396 FOR NOTES.



FILE NAME = T:\DOCUMENT\1934\9901\CIVIL\DCN\PM00.DWG
 USER NAME = HECHTBR
 DESIGNED -
 DRAWN - AMB
 CHECKED - TMH
 DATE - 11/01/13
 REVISED -
 REVISED -
 REVISED -
 REVISED -
 STATE OF ILLINOIS
 DEPARTMENT OF TRANSPORTATION
 U.S. ROUTE 14
 SCALE: 1"=50'
 SHEET NO. OF SHEETS STA. TO STA.
 F.A.P. RTE. SECTION COUNTY TOTAL SHEETS SHEET NO.
 305 27R-2 MCHENRY 673 398
 CONTRACT NO. 62268
 FED. ROAD DIST. NO. 1 ILLINOIS FED. AID PROJECT

FILE NAME = T:\DOCUMENT\1934\9901\CIVIL\DCN\PM00.DWG	USER NAME = HECHTBR	DESIGNED -	REVISED -	STATE OF ILLINOIS DEPARTMENT OF TRANSPORTATION U.S. ROUTE 14	PAVEMENT MARKING & SIGNING PLANS STA. 348+00 TO STA. 362+00			F.A.P. RTE. SECTION COUNTY TOTAL SHEETS SHEET NO.
#FILEL#	PLOT SCALE = *SCALE*	DRAWN - AMB	REVISED -		SCALE: 1"=50'	SHEET NO. OF SHEETS STA. TO STA.	305 27R-2 MCHENRY 673 398	
exp U.S. Services Inc. Chicago, IL	PLOT DATE = *DATE*	CHECKED - TMH	REVISED -				CONTRACT NO. 62268	
BUILDINGS-EARTH & ENVIRONMENT-ENERGY INDUSTRIAL-INFRASTRUCTURE-SUSTAINABILITY		DATE - 11/01/13	REVISED -				FED. ROAD DIST. NO. 1 ILLINOIS FED. AID PROJECT	