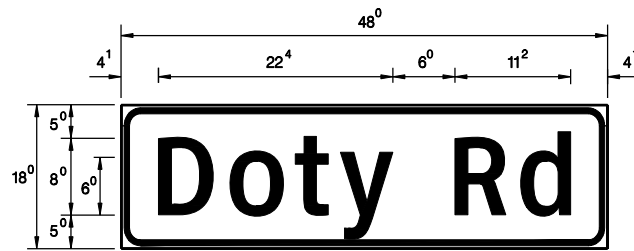


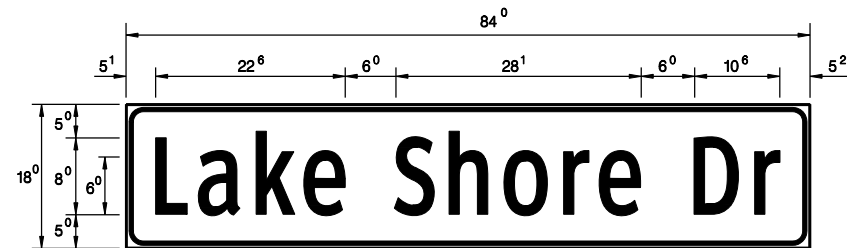
US Rte 14

- Sq. M. each
 7.5 Sq. Ft. each
 5 Required
 Design Series D



Doty Rd

- Sq. M. each
 6 Sq. Ft. each
 2 Required
 Design Series D



Lake Shore Dr

- Sq. M. each
 10.5 Sq. Ft. each
 2 Required
 Design Series D

NOTE: SIGN DIMENSIONS ARE IN ENGLISH UNITS

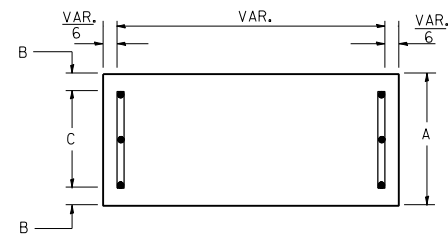
GENERAL NOTES

- WHERE MAST ARM MOUNTED STREET NAME SIGNS ARE SPECIFIED, THE MAST ARM ASSEMBLY AND POLES SHALL BE DESIGNED TO SUPPORT THE LOADINGS CALLED FOR ON STANDARDS 877001, 877002, 877006, 877011 AND 877012, AS APPLICABLE, PLUS TWO (2) SIGN PANELS 2'-6" x 8'-0" MOUNTED AS SHOWN. THE DESIGN SHALL BE IN ACCORDANCE WITH THE REQUIREMENTS OF THE CURRENT "STANDARD SPECIFICATIONS FOR STRUCTURAL SUPPORTS FOR HIGHWAY SIGNS, LUMINAIRES, AND TRAFFIC SIGNALS" AS PUBLISHED BY THE AMERICAN ASSOCIATION OF STATE HIGHWAY AND TRANSPORTATION OFFICIALS FOR 80 M.P.H. WIND VELOCITY.
- ALL SIGNS SHALL HAVE A WHITE REFLECTORIZED LEGEND AND BORDER ON A GREEN REFLECTORIZED BACKGROUND, TYPE A SHEETING.
- THE SIGN LENGTH SHOULD BE INCREASED IN 6-INCH INCREMENTS, BUT THE OVERALL LENGTH SHOULD NOT EXCEED 8'-0".
- ALL BORDERS SHALL BE 3/4" WIDE AND CORNER RADIUS SHALL BE 2-1/4".
- SIGNFIX ALUMINUM CHANNEL FRAMING SYSTEM SHALL BE USED FOR ALL SIGNS ATTACHED TO SIGNAL POLES AND POSTS. LOCAL SUPPLIERS OF THE SIGNFIX ALUMINUM CHANNEL FRAMING SYSTEM ARE:

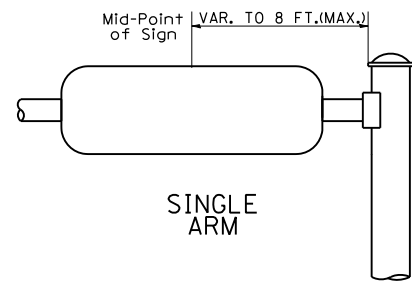
* J.O. HERBERT CO. MIDLOTHIAN, VA. * WESTERN REMAC INC. WOODRIDGE, IL.

PARTS LISTING:
 SIGN CHANNEL PART *HPN053 (MED. CHANNEL)
 SIGN SCREWS 1/4" x 14 x 1" H.W.H. #3
 BRACKETS PART *HPN034 (UNIVERSAL)
 CHANNEL CLAMPS WITH STAINLESS STEEL STRAPPING
 OTHER BRANDS OF MOUNTING HARDWARE ARE ACCEPTABLE, BASED UPON THE DEPARTMENT'S APPROVAL AND COMPATIBILITY WITH THE CHANNEL/BRACKET OF THE ABOVE PRODUCT.

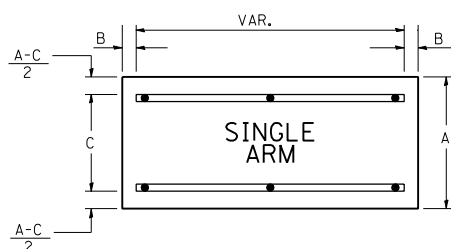
SUPPORTING CHANNELS



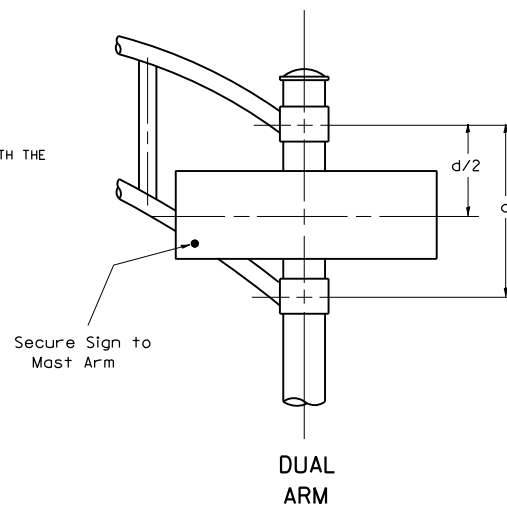
A	B	C
18"	2"	14"



SUPPORTING CHANNELS



A	B	C
18"	2"	12"
30"	2"	22"



SIGNFIX ALUMINUM CHANNEL FRAMING SYSTEM Shall be used. See Note #5.

Upper Case To Lower Case Spacing Chart 8-6 Inch Series "C & D"

EXAMPLE, 2³ DENOTES 3/8"

FIRST LETTER	SECOND LETTER																			
	a c d e		g o q		b h i k l		m n p r u		f w		j		s t		v y		x		z	
A W X	12	14	14	15	12	14	06	10	11	14	06	10	11	12	12	14	12	14	16	17
B	14	15	20	21	14	15	11	12	14	15	12	14	12	14	14	15	14	15	14	15
C E G	14	15	20	21	12	14	06	10	12	14	12	14	14	15	14	15	14	15	14	15
D O R	14	15	20	21	14	15	06	10	12	14	12	14	14	15	14	15	14	15	14	15
F	05	06	14	15	06	10	05	06	06	10	06	10	06	10	11	12	14	15	14	15
H I M N	20	21	22	24	20	21	14	15	16	17	16	17	20	21	20	21	20	21	20	21
J U	20	21	20	21	16	17	14	15	16	17	16	17	16	17	20	21	20	21	20	21
K L	11	12	16	17	11	12	05	06	11	12	11	12	11	12	12	14	12	14	12	14
P	12	14	14	15	12	14	05	06	11	12	11	12	12	14	12	14	12	14	12	14
S	12	14	16	17	12	14	06	10	12	14	12	14	12	14	12	14	12	14	12	14
T	11	12	16	17	06	10	06	10	11	12	11	12	11	12	12	14	12	14	12	14
V	06	10	14	15	11	12	06	10	12	14	12	14	12	14	12	14	12	14	12	14
Y	05	06	14	15	06	10	05	06	05	07	05	06	06	10	11	12	14	15	14	15
Z	16	17	22	24	16	17	12	14	16	17	16	17	16	17	20	21	20	21	20	21

Lower Case To Lower Case Spacing Chart 6 Inch Series "C & D"

FIRST LETTER	SECOND LETTER																			
	a c d e		g o q		b h i k l		m n p r u		f w		j		s t		v y		x		z	
a d h g i j	16	17	22	24	16	17	12	14	14	15	14	15	16	17	16	17	16	17	16	17
l m n q u	16	17	22	24	16	17	12	14	14	15	14	15	16	17	16	17	16	17	16	17
b f k o p s	12	14	16	17	11	12	05	06	11	12	11	12	12	14	12	14	12	14	12	14
c e	12	14	16	17	12	14	06	10	12	14	12	14	12	14	12	14	12	14	12	14
r	06	10	12	14	06	10	03	03	05	06	05	06	06	10	06	10	06	10	06	10
t z	12	14	16	17	12	14	06	10	11	12	11	12	12	14	12	14	12	14	12	14
v y	11	12	14	15	11	12	05	06	06	10	06	10	11	12	11	12	12	14	12	14
w	11	12	14	15	11	12	05	06	11	12	11	12	11	12	12	14	12	14	12	14
x	12	14	16	17	11	12	05	06	11	12	11	12	11	12	12	14	12	14	12	14

Number To Number Spacing Chart 8 Inch Series "C & D"

FIRST NUMBER	SECOND NUMBER																			
	0		1		2		3		4		5		6		7		8		9	
0 9	16	17	16	17	14	15	12	14	14	15	14	15	16	17	12	14	14	15	16	17
1	20	21	20	21	20	21	16	17	14	15	20	21	20	21	14	15	20	21	20	21
2 3 4	14	15	14	15	14	15	11	12	11	12	14	15	14	15	11	12	14	15	14	15
5	14	15	14	15	14	15	11	12	11	12	14	15	14	15	11	12	14	15	14	15
6	16	17	14	15	14	15	12	14	14	15	14	15	11	12	14	15	14	15	14	15
7	12	14	12	14	14	15	12	14	14	15	05	06	12	14	14	15	11	12	14	15
8	16	17	16	17	14	15	12	14	14	15	16	17	12	14	14	15	16	17	14	15

UPPER AND LOWER CASE LETTER WIDTHS

LETTERS	6 INCH UPPER CASE LETTERS		8 INCH UPPER CASE LETTERS		LETTERS	6 INCH LOWER CASE LETTERS	
	SERIES		SERIES			SERIES	
A	36	50	50	65	a	35	42
B	32	40	43	53	b	35	42
C	32	40	43	53	c	35	41
D	32	40	43	53	d	35	42
E	30	35	40	47	e	35	42
F	30	35	40	47	f	23	26
G	32	40	43	53	g	35	42
H	32	40	43	53	h	35	42
I	07	07	11	12	i	11	11
J	30	36	40	50	j	20	22
K	32	41	43	54	k	35	42
L	30	35	40	47	l	11	11
M	37	45	51	61	m	60	70
N	32	40	43	53	n	35	42
O	34	42	45	55	o	36	43
P	32	40	43	53	p	35	42
Q	34	42	45	55	q	35	42
R	32	40	43	53	r	26	32
S	32	40	43	53	s	36	42
T	30	35	40	47	t	27	32
U	32	40	43	53	u	35	42
V	35	44	47	60	v	42	47
W	44	52	60	70	w	55	64
X	34	40	45	53	x	44	51
Y	36	50	50	66	y	46	53
Z	32	40	43	53	z	36	43

NUMBER	6 INCH SERIES		8 INCH SERIES	
	C	D	C	D
1	12	14	15	20
2	32	40	43	53
3	32	40	43	53
4	35	43	47	57
5	32	40	43	53
6	32	40	43	53
7	32	40	43	53
8	32	40	43	53
9	32	40	43	53
0	34	42	45	55

FILE NAME =	USER NAME = *USER*	DESIGNED - PKG	REVISED -
*FILE#		DRAWN - EA, MG	REVISED -
	PLOT SCALE = *SCALE*	CHECKED - PKG	REVISED -
	PLOT DATE = *DATE*	DATE - 11/6/2013	REVISED -

STATE OF ILLINOIS DEPARTMENT OF TRANSPORTATION

DISTRICT 1 MAST ARM MOUNTED STREET NAME SIGNS

F.A.P. RTE.	SECTION	COUNTY	TOTAL SHEETS	SHEET NO.
305	27R-2	MCHENRY	673	456
CONTRACT NO. 62268				
FED. ROAD DIST. NO. - ILLINOIS FED. AID PROJECT				

SCALE: SHEET NO. OF SHEETS STA. TO STA.