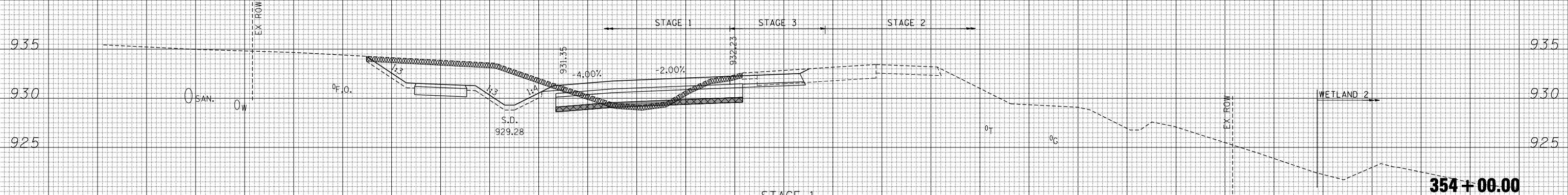


150 140 130 120 110 100 90 80 70 60 50 40 30 20 10 0 10 20 30 40 50 60 70 80 90 100 110 120 130 140 150

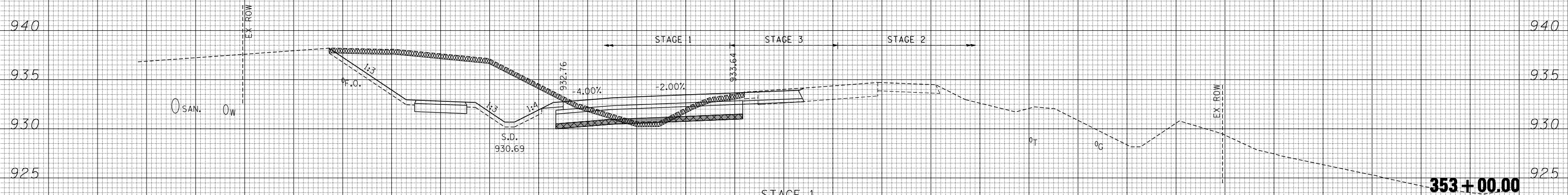
PR C US RTE 14

DATE	
BY	
FINAL SURVEY	SURVEYED
NOTE BOOK NO.	PLOTTED
	TEMPLATE
	AREAS CHECKED



STAGE 1
 EARTH EXCAVATION = 121.9 SQ FT
 TOPSOIL EXCAVATION = 38.3 SQ FT
 EMBANKMENT = 4.9 SQ FT
 UNSUIT. MATERIALS = 12.1 SQ FT
 AGGREGATE SUBGRADE IMPROVEMENT (CU YD) (CU YD) PLACEMENT = 19.0 SQ FT

DATE	
BY	
ORIGINAL SURVEY	SURVEYED
NOTE BOOK NO.	PLOTTED
	TEMPLATE
	AREAS CHECKED



STAGE 1
 EARTH EXCAVATION = 211.5 SQ FT
 TOPSOIL EXCAVATION = 42.4 SQ FT
 EMBANKMENT = 3.8 SQ FT
 UNSUIT. MATERIALS = 13.6 SQ FT
 AGGREGATE SUBGRADE IMPROVEMENT (CU YD) (CU YD) PLACEMENT = 19.0 SQ FT

- LEGEND**
- TOPSOIL REMOVAL
 - UNSUIT. MATERIAL
 - AGGREGATE SUBGRADE IMPROVEMENT (CU YD)
 - EARTH EXCAVATION: MULTI-USE PATH (80% IDOT 20% MCD)

PR C US RTE 14

