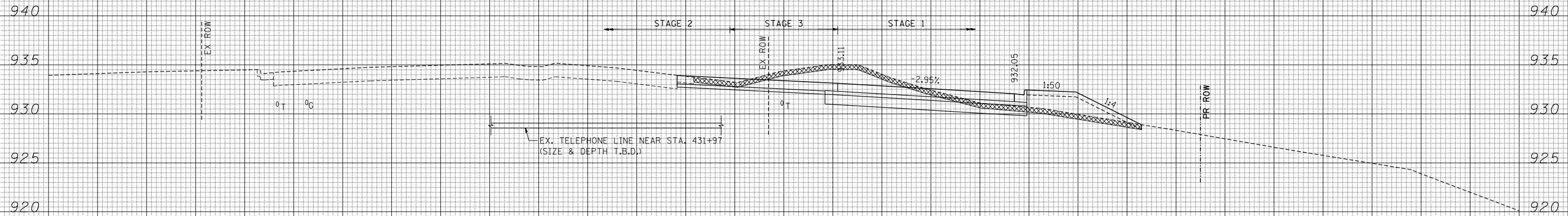


150 140 130 120 110 100 90 80 70 60 50 40 30 20 10 0 10 20 30 40 50 60 70 80 90 100 110 120 130 140 150

PR C US RTE 14

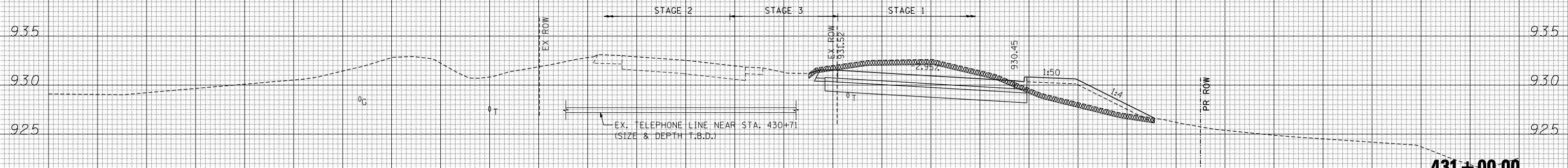
DATE	
BY	
SURVEYED	
PLOTTED	
TEMPLATE	
AREAS	
AREAS	
CHECKED	
NO.	



**432 + 00.00**

STAGE 1  
 EARTH EXCAVATION = 109.1 SQ FT  
 TOPSOIL EXCAVATION = 45.7 SQ FT  
 EMBANKMENT = 34.8 SQ FT

DATE	
BY	
SURVEYED	
PLOTTED	
TEMPLATE	
AREAS	
AREAS	
CHECKED	
NO.	



**431 + 00.00**

STAGE 1  
 EARTH EXCAVATION = 110.4 SQ FT  
 TOPSOIL EXCAVATION = 35.3 SQ FT  
 EMBANKMENT = 38.3 SQ FT

- LEGEND**
- TOPSOIL REMOVAL
  - UNSUIT. MATERIAL
  - AGGREGATE SUBGRADE IMPROVEMENT (CU YD)
  - EARTH EXCAVATION MULTI-USE PATH (80% IDOT 20% MCD)

PR C US RTE 14

150 140 130 120 110 100 90 80 70 60 50 40 30 20 10 0 10 20 30 40 50 60 70 80 90 100 110 120 130 140 150

FILE NAME =  
 #FILEL#  
 exp U.S. Services Inc.  
 Chicago, IL  
 BUILDINGS-EARTH & ENVIRONMENT-ENERGY  
 INDUSTRIAL-INFRASTRUCTURE-SUSTAINABILITY

USER NAME = #USER#  
 PLOT SCALE = #SCALE#  
 PLOT DATE = #DATE#

DESIGNED -  
 DRAWN - AC  
 CHECKED - BRH  
 DATE - 11/01/13

REVISED -  
 REVISED -  
 REVISED -  
 REVISED -

**STATE OF ILLINOIS  
 DEPARTMENT OF TRANSPORTATION**

**U.S. ROUTE 14 CROSS SECTIONS**

SCALE: HORIZ. 1" = 10' VERT. 1" = 5' STA. 431+00.00 TO STA. 432+00.00

F.A.P. RTE.	SECTION	COUNTY	TOTAL SHEETS	SHEET NO.
305	27R-2	MCHENRY	673	543
			CONTRACT NO. 62268	

ILLINOIS FED. AID PROJECT