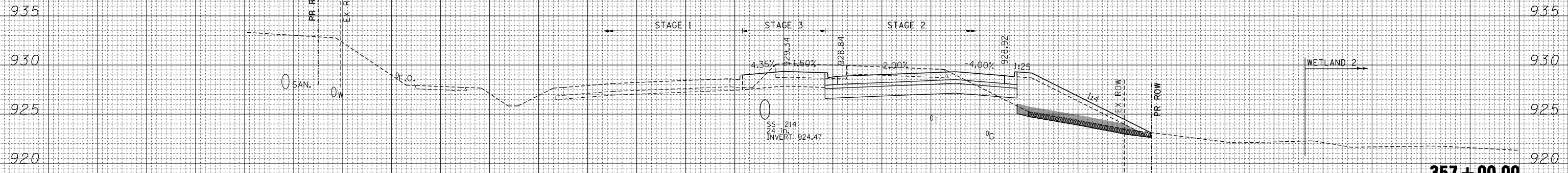


150 140 130 120 110 100 90 80 70 60 50 40 30 20 10 0 10 20 30 40 50 60 70 80 90 100 110 120 130 140 150

PR C US RTE 14

DATE	
BY	
SURVEYED	
PLOTTED	
TEMPLATE	
NOTE BOOK	
AREAS CHECKED	
NO.	

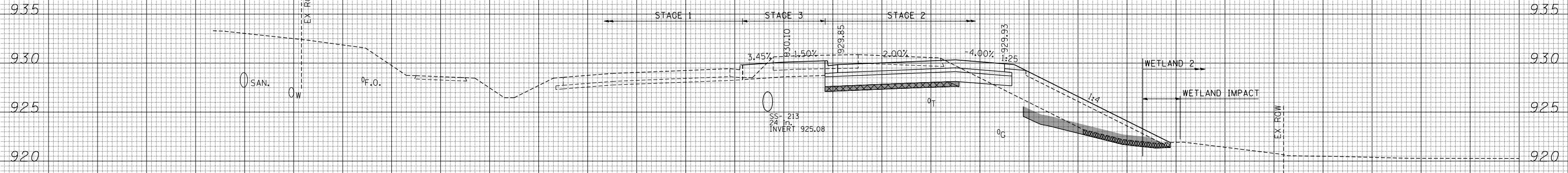


357+00.00

STAGE 2  
 EARTH EXCAVATION = 61.0 SQ FT  
 TOPSOIL EXCAVATION = 12.4 SQ FT  
 EMBANKMENT = 37.8 SQ FT  
 UNSUIT. MATERIALS = 0.0 SQ FT  
 AGGREGATE SUBGRADE IMPROVEMENT (CU YD) PLACEMENT = 24.5 SQ FT

STAGE 3  
 EARTH EXCAVATION = 15.3 SQ FT  
 TOPSOIL EXCAVATION = 0.0 SQ FT  
 EMBANKMENT = 0.0 SQ FT

DATE	
BY	
SURVEYED	
PLOTTED	
TEMPLATE	
NOTE BOOK	
AREAS CHECKED	
NO.	



356+00.00

LEGEND  
 TOPSOIL REMOVAL  
 UNSUIT. MATERIAL  
 AGGREGATE SUBGRADE IMPROVEMENT (CU YD)  
 EARTH EXCAVATION MULTI-USE PATH (80% 100% 20% MCCO)  
 STAGE 2  
 EARTH EXCAVATION = 56.3 SQ FT  
 TOPSOIL EXCAVATION = 22.0 SQ FT  
 EMBANKMENT = 55.8 SQ FT  
 UNSUIT. MATERIALS = 13.1 SQ FT  
 AGGREGATE SUBGRADE IMPROVEMENT (CU YD) PLACEMENT = 41.8 SQ FT

STAGE 3  
 EARTH EXCAVATION = 12.7 SQ FT  
 TOPSOIL EXCAVATION = 0.0 SQ FT  
 EMBANKMENT = 0.0 SQ FT

PR C US RTE 14

150 140 130 120 110 100 90 80 70 60 50 40 30 20 10 0 10 20 30 40 50 60 70 80 90 100 110 120 130 140 150

FILE NAME =  
 #FILEL#  
 exp U.S. Services Inc.  
 Chicago, IL  
 BUILDINGS-EARTH & ENVIRONMENT-ENERGY  
 INDUSTRIAL-INFRASTRUCTURE-SUSTAINABILITY

USER NAME = #USERS#	DESIGNED -	REVISED -
	DRAWN - AG	REVISED -
PLOT SCALE = #SCALE#	CHECKED - BRH	REVISED -
PLOT DATE = #DATE#	DATE - 11/01/13	REVISED -

STATE OF ILLINOIS  
 DEPARTMENT OF TRANSPORTATION

U.S. ROUTE 14 CROSS SECTIONS

SCALE: HORIZ. 1" = 10' VERT. 1" = 5' STA. 356+00.00 TO STA. 357+00.00

F.A.P. RTE.	SECTION	COUNTY	TOTAL SHEETS	SHEET NO.
305	27R-2	MCHENRY	673	589
			CONTRACT NO. 62268	
ILLINOIS FED. AID PROJECT				