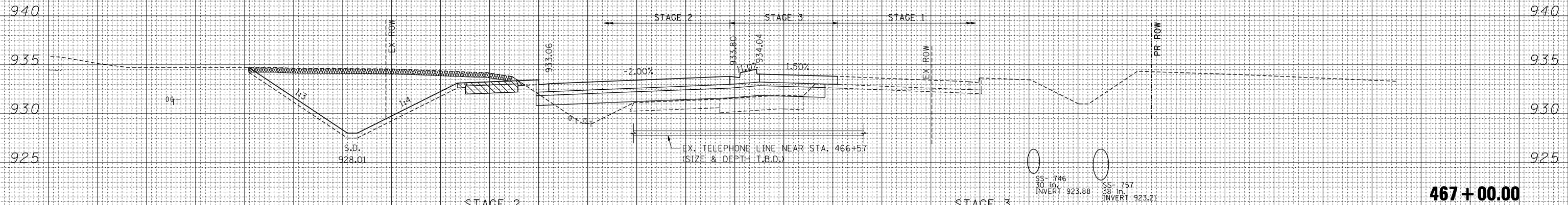


150 140 130 120 110 100 90 80 70 60 50 40 30 20 10 0 10 20 30 40 50 60 70 80 90 100 110 120 130 140 150

PR C US RTE 14

DATE	
BY	
SURVEYED	
PLOTTED	
TEMPLATE	
AREAS	
AREAS	
CHECKED	
NO.	

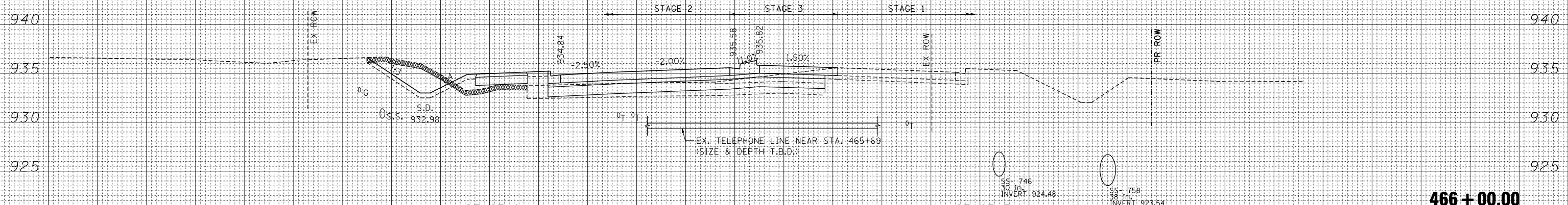


STAGE 2
 EARTH EXCAVATION = 180.2 SQ FT
 TOPSOIL EXCAVATION = 26.9 SQ FT
 EMBANKMENT = 40.0 SQ FT

STAGE 3
 EARTH EXCAVATION = 4.5 SQ FT
 TOPSOIL EXCAVATION = 0.0 SQ FT
 EMBANKMENT = 20.8 SQ FT

467 + 00.00

DATE	
BY	
SURVEYED	
PLOTTED	
TEMPLATE	
AREAS	
AREAS	
CHECKED	
NO.	



STAGE 2
 EARTH EXCAVATION = 29.0 SQ FT
 TOPSOIL EXCAVATION = 16.3 SQ FT
 EMBANKMENT = 36.3 SQ FT

STAGE 3
 EARTH EXCAVATION = 0.0 SQ FT
 TOPSOIL EXCAVATION = 0.0 SQ FT
 EMBANKMENT = 12.7 SQ FT

466 + 00.00

- LEGEND**
- TOPSOIL REMOVAL
 - UNSUIT. MATERIAL
 - AGGREGATE SUBGRADE IMPROVEMENT (CU YD)
 - EARTH EXCAVATION MULTI-USE PATH (80% IDOT 20% MCCD)

PR C US RTE 14

150 140 130 120 110 100 90 80 70 60 50 40 30 20 10 0 10 20 30 40 50 60 70 80 90 100 110 120 130 140 150

FILE NAME =
 #FILEL#
 exp U.S. Services Inc.
 Chicago, IL
 BUILDINGS-EARTH & ENVIRONMENT-ENERGY
 INDUSTRIAL-INFRASTRUCTURE-SUSTAINABILITY

USER NAME = #USER#
 PLOT SCALE = #SCALE#
 PLOT DATE = #DATE#

DESIGNED -
 DRAWN - AG
 CHECKED - BRH
 DATE - 11/01/13

REVISED -
 REVISED -
 REVISED -
 REVISED -

**STATE OF ILLINOIS
 DEPARTMENT OF TRANSPORTATION**

U.S. ROUTE 14 CROSS SECTIONS
 SCALE: HORIZ. 1" = 10' VERT. 1" = 5'
 STA. 466+00.00 TO STA. 467+00.00

F.A.P. RTE.	SECTION	COUNTY	TOTAL SHEETS	SHEET NO.
305	27R-2	MCHENRY	673	646
			CONTRACT NO. 62268	
ILLINOIS FED. AID PROJECT				