

RETURN WITH BID

State of _____)
) ss.
County of _____)

AFFIDAVIT

_____, of _____,
(name of affiant) *(bidder)*

being first duly sworn upon oath, states as follows:

1. That I am the _____ of _____
(Officer or position) *(Bidder)*
and have personal knowledge of the facts herein stated.

2. That, if selected under this bid proposal, _____ will
(Bidder)
maintain a business office in the State of Illinois which will be located in _____
County, Illinois.

3. That this business office will serve as the primary place of employment for any persons
employed in the construction contemplated by this bid proposal.

4. That this Affidavit is given as a requirement of state law as provided in Section 30-22(8) of
the Illinois Procurement Code.

(Signature)

(Printed name of Affiant)

This instrument was signed and attested before me on the _____ day of _____, 20 ____

by _____.
(Notary Public Name)

(Notary Public Signature)

(NOTARY SEAL)

BID PROPOSAL INSTRUCTIONS

ABOUT IDOT PROPOSALS: All proposals are potential bidding proposals. Each proposal contains all certifications and affidavits, a proposal signature sheet and a proposal bid bond.

PREQUALIFICATION

Any contractor who desires to become pre-qualified to bid on work advertised by IDOT must submit the properly completed pre-qualification forms to the Bureau of Construction no later than 4:30 p.m. prevailing time twenty-one days prior to the letting of interest. This pre-qualification requirement applies to first time contractors, contractors renewing expired ratings, contractors maintaining continuous pre-qualification or contractors requesting revised ratings. To be eligible to bid, existing pre-qualification ratings must be effective through the date of letting.

WHO CAN BID ?

Bids will be accepted from only those companies that request and receive written Authorization to Bid from IDOT's Central Bureau of Construction.

REQUESTS FOR AUTHORIZATION TO BID

Contractors wanting to bid on items included in a particular letting must submit the properly completed "Request for Authorization to Bid/or Not For Bid Status" (BDE 124) and the ORIGINAL "Affidavit of Availability" (BC 57) to the proper office no later than 4:30 p.m. prevailing time, three (3) days prior to the letting date.

WHAT CONSTITUTES WRITTEN AUTHORIZATION TO BID?

When a prospective prime bidder submits a "Request for Authorization to Bid/or Not For Bid Status"(BDE 124) he/she must indicate at that time which items are being requested For Bidding purposes. Only those items requested For Bidding will be analyzed. After the request has been analyzed, the bidder will be issued an **Authorization to Bid or Not for Bid Report**, approved by the Central Bureau of Construction and the Chief Procurement Officer that indicates which items have been approved For Bidding. If **Authorization to Bid** cannot be approved, the **Authorization to Bid or Not for Bid Report** will indicate the reason for denial.

ABOUT AUTHORIZATION TO BID

Firms that have not received an Authorization to Bid or Not For Bid Report within a reasonable time of complete and correct original document submittal should contact the Department as to the status. Firms unsure as to authorization status should call the Prequalification Section of the Bureau of Construction at the number listed at the end of these instructions.

ADDENDA AND REVISIONS

It is the bidder's responsibility to determine which, if any, addenda or revisions pertain to any project they may be bidding. Failure to incorporate all relevant addenda or revisions may cause the bid to be declared unacceptable.

Each addendum or revision will be included with the Electronic Plans and Proposals. Addenda and revisions will also be placed on the Addendum/Revision Checklist and each subscription service subscriber will be notified by e-mail of each addendum and revision issued.

The Internet is the Department's primary way of doing business. The subscription service emails are an added courtesy the Department provides. It is suggested that bidders check IDOT's website at <http://www.dot.il.gov/desenv/delett.html> before submitting final bid information.

IDOT IS NOT RESPONSIBLE FOR ANY E-MAIL FAILURES.

Addenda questions may be directed to the Contracts Office at (217)782-7806 or DOT.D&Econtracts@illinois.gov

Technical questions about downloading these files may be directed to Tim Garman at (217)524-1642 or Timothy.Garman@illinois.gov.

STANDARD GUIDELINES FOR SUBMITTING BIDS

- All pages should be single sided.
- Use the Cover Page that is provided in the Bid Proposal (posted on the IDOT Web Site) as the first page of your submitted bid. It has the item number in large bold type in the upper left-hand corner and lines provided for your company name and address in the upper right-hand corner.
- Do not use report covers, presentation folders or special bindings and do not staple multiple times on left side like a book. Use only 1 staple in the upper left hand corner. Make sure all elements of your bid are stapled together including the bid bond or guaranty check (if required).
- Do not include any certificates of eligibility, your authorization to bid, Addendum Letters or affidavit of availability.
- Do not include the Subcontractor Documentation with your bid (pages i – iii and pages a – g). This documentation is required only if you are awarded the project.
- Use the envelope cover sheet (provided with the proposal) as the cover for the proposal envelope.
- Do not rely on overnight services to deliver your proposal prior to 10 AM on letting day. It will not be read if it is delivered after 10 AM.
- Do not submit your Substance Abuse Prevention Program (SAPP) with your bid. If you are awarded the contract this form is to be submitted to the district engineer at the pre-construction conference.

BID SUBMITTAL CHECKLIST

- Cover page** (the sheet that has the item number on it) – This should be the first page of your bid proposal, **followed by your bid (the Schedule of Prices/Pay Items)**. If you are using special software or CBID to generate your schedule of prices, do not include the blank pages of the schedule of prices that came with the proposal package.
- Page 4 (Item 9)** – Check “YES” if you will use a subcontractor(s) with an annual value over \$50,000. Include the subcontractor(s) name, address, general type of work to be performed and the dollar amount. If you will use subcontractor(s) but are uncertain who or the dollar amount; check “YES” but leave the lines blank.
- After page 4** – Insert the following documents: The **Illinois Office Affidavit** (Not applicable to federally funded projects) followed by Cost Adjustments for Steel, Bituminous and Fuel (if applicable) and the Contractor Letter of Assent (if applicable). The general rule should be, if you don’t know where it goes, put it after page 4.
- Page 10 (Paragraph J)** – Check “YES” or “NO” whether your company has any business in Iran.
- Page 10 (Paragraph K)** – (Not applicable to federally funded projects) List the name of the apprenticeship and training program sponsor holding the certificate of registration from the US Department of Labor. If no applicable program exists, please indicate the work/job category. Do not include certificates with your bid. Keep the certificates in your office in case they are requested by IDOT.
- Page 11 (Paragraph L)** – A copy of your State Board of Elections certificate of registration is no longer required with your bid.
- Page 11 (Paragraph M)** – Indicate if your company has hired a lobbyist in connection with the job for which you are submitting the bid proposal.
- Page 12 (Paragraph C)** – This is a work sheet to determine if a completed Form A is required. It is not part of the form and you do not need to make copies for each completed Form A.
- Pages 14-17 (Form A)** – One Form A (4 pages) is required for each applicable person in your company. Copies of the forms can be used and only need to be changed when the information changes. The certification signature and date must be original for each letting. **Do not staple the forms together.** If you answered “NO” to all of the questions in Paragraph C (page 12), complete the first section (page 14) with your company information and then sign and date the Not Applicable statement on page 17.
- Page 18 (Form B)** - If you check “YES” to having other current or pending contracts it is acceptable to use the phrase, “See Affidavit of Availability on file”. **Ownership Certification** (at the bottom of the page) - Check N/A if the Form A(s) you submitted accounts for 100 percent of the company ownership. Check YES if any percentage of ownership falls outside of the parameters that require reporting on the Form A. Checking NO indicates that the Form A(s) you submitted is not correct and you will be required to submit a revised Form A.
- Page 20 (Workforce Projection)** – Be sure to include the Duration of the Project. It is acceptable to use the phrase “Per Contract Specifications”.

Proposal Bid Bond – (Insert after the proposal signature page) Submit your proposal Proposal Bid Bond (if applicable) using the current Proposal Bid Bond form provided in the proposal package. The Power of Attorney page should be stapled to the Proposal Bid Bond. If you are using an electronic bond, include your bid bond number on the Proposal Bid Bond and attach the Proof of Insurance printed from the Surety’s Web Site.

Disadvantaged Business Utilization Plan and/or Good Faith Effort – The last items in your bid should be the DBE Utilization Plan (SBE 2026), followed by the DBE Participation Statement (SBE 2025) and supporting paperwork. If you have documentation of a Good Faith Effort, it is to follow the SBE Forms.

The Bid Letting is now available in streaming Audio/Video from the IDOT Web Site. A link to the stream will be placed on the main page of the current letting on the day of the Letting. The stream will not begin until 10 AM. The actual reading of the bids does not begin until approximately 10:30 AM.

Following the Letting, the As-Read Tabulation of Bids will be posted by the end of the day. You will find the link on the main Web page for the current letting.

QUESTIONS: pre-letting up to execution of the contract

Contractor pre-qualification	217-782-3413
Small Business, Disadvantaged Business Enterprise (DBE)	217-785-4611
Contracts, Bids, Letting process or Internet downloads	217-782-7806
Estimates Unit.....	217-785-3483
Aeronautics.....	217-785-8515
IDNR (Land Reclamation, Water Resources, Natural Resources).....	217-782-6302

QUESTIONS: following contract execution

Subcontractor documentation, payments	217-782-3413
Railroad Insurance	217-785-0275

142

RETURN WITH BID

Proposal Submitted By
Name
Address
City

Letting August 1, 2014

NOTICE TO PROSPECTIVE BIDDERS

This proposal can be used for bidding purposes by only those companies that request and receive written AUTHORIZATION TO BID from IDOT's Central Bureau of Construction.

BIDDERS NEED NOT RETURN THE ENTIRE PROPOSAL

Notice to Bidders, Specifications, Proposal, Contract and Contract Bond



**Illinois Department
of Transportation**

Springfield, Illinois 62764

**Contract No. 64F85
WHITESIDE-CARROLL Counties
Section (7,8,9)RS-2
Routes FAP 646 & FAS 2187A
District 2 Construction Funds**

PLEASE MARK THE APPROPRIATE BOX BELOW:

- A Bid Bond is included.
- A Cashier's Check or a Certified Check is included.
- An Annual Bid Bond is included or is on file with IDOT.

Plans Included
Herein

Prepared by

S

Checked by

(Printed by authority of the State of Illinois)

Page intentionally left blank

RETURN WITH BID



PROPOSAL

TO THE DEPARTMENT OF TRANSPORTATION

1. Proposal of _____

Taxpayer Identification Number (Mandatory) _____ a

For the improvement identified and advertised for bids in the Invitation for Bids as:

**Contract No. 64F85
WHITESIDE-CARROLL Counties
Section (7,8,9)RS-2
Routes FAP 646 & FAS 2187A
District 2 Construction Funds**

Resurfacing on IL 40 beginning at Adams St. in Milledgeville, continuing to 0.1 mile north of Lynn Blvd. in Sterling.

2. The undersigned bidder will furnish all labor, material and equipment to complete the above described project in a good and workmanlike manner as provided in the contract documents provided by the Department of Transportation. This proposal will become part of the contract and the terms and conditions contained in the contract documents will govern performance and payments.

RETURN WITH BID

6. **COMBINATION BIDS.** The undersigned bidder further agrees that if awarded the contract for the sections contained in the following combination, he/she will perform the work in accordance with the requirements of each individual contract comprising the combination bid specified in the schedule below, and that the combination bid shall be prorated against each section in proportion to the bid submitted for the same. If an error is found to exist in the gross sum bid for one or more of the individual sections included in a combination, the combination bid shall be corrected as provided in the specifications.

When a combination bid is submitted, the schedule below must be completed in each proposal comprising the combination.

If alternate bids are submitted for one or more of the sections comprising the combination, a combination bid must be submitted for each alternate.

Schedule of Combination Bids

Combination No.	Sections Included in Combination	Combination Bid	
		Dollars	Cents

7. **SCHEDULE OF PRICES.** The undersigned bidder submits herewith, in accordance with the rules and instructions, a schedule of prices for the items of work for which bids are sought. The unit prices bid are in U.S. dollars and cents, and all extensions and summations have been made. The bidder understands that the quantities appearing in the bid schedule are approximate and are provided for the purpose of obtaining a gross sum for the comparison of bids. If there is an error in the extension of the unit prices, the unit prices will govern. Payment to the contractor awarded the contract will be made only for actual quantities of work performed and accepted or materials furnished according to the contract. The scheduled quantities of work to be done and materials to be furnished may be increased, decreased or omitted as provided elsewhere in the contract.
8. **AUTHORITY TO DO BUSINESS IN ILLINOIS.** Section 20-43 of the Illinois Procurement Code (the Code) (30 ILCS 500/20-43) provides that a person (other than an individual acting as a sole proprietor) must be a legal entity authorized to do business in the State of Illinois prior to submitting the bid.
9. **EXECUTION OF CONTRACT:** The Department of Transportation will, in accordance with the rules governing Department procurements, execute the contract and shall be the sole entity having the authority to accept performance and make payments under the contract. Execution of the contract by the Chief Procurement Officer (CPO) or the State Purchasing Officer (SPO) is for approval of the procurement process and execution of the contract by the Department. Neither the CPO nor the SPO shall be responsible for administration of the contract or determinations respecting performance or payment there under except as otherwise permitted in the Code.

10. **The services of a subcontractor will be used.**

Check box Yes
 Check box No

For known subcontractors with subcontracts with an annual value of more than \$50,000, the contract shall include their name, address, general type of work to be performed, and the dollar allocation for each subcontractor.
 (30 ILCS 500/20-120)

ILLINOIS DEPARTMENT OF TRANSPORTATION
 SCHEDULE OF PRICES
 CONTRACT
 NUMBER - 64F85

State Job # - C-92-028-13

Project Number

Route

County Name - CARROLL- WHITESIDE-

FAP 646

Code - 15 - 195 -

FAS 2187A

District - 2 - 2 -

Section Number - (7,8,9)RS-2

Item Number	Pay Item Description	Unit of Measure	Quantity	x	Unit Price	=	Total Price
X4060110	BIT MATLS PR CT	POUND	7,356.000				
X6330900	VERT ADJ OF GUARDRAIL	FOOT	1,669.000				
Z0001002	GDRL AGG EROS CONT	TON	11.000				
Z0020800	EROSION CONTROL CURB	FOOT	75.000				
Z0028415	GEOTECHNICAL REINF	SQ YD	253.000				
Z0034105	MATL TRANSFER DEVICE	TON	23,775.000				
Z0040315	PILOT CAR	DAY	12.000				
20400800	FURNISHED EXCAVATION	CU YD	300.000				
21101600	TOPSOIL F & P VAR DP	SQ YD	799.000				
21400100	GRADING & SHAP DITCH	FOOT	73.000				
25000210	SEEDING CL 2A	ACRE	0.750				
25100630	EROSION CONTR BLANKET	SQ YD	2,877.000				
28000250	TEMP EROS CONTR SEED	POUND	237.000				
28000400	PERIMETER EROS BAR	FOOT	997.000				
28000500	INLET & PIPE PROTECT	EACH	1.000				

ILLINOIS DEPARTMENT OF TRANSPORTATION
 SCHEDULE OF PRICES
 CONTRACT
 NUMBER - 64F85

State Job # - C-92-028-13

Project Number

Route

County Name - CARROLL- WHITESIDE-

FAP 646

Code - 15 - 195 -

FAS 2187A

District - 2 - 2 -

Section Number - (7,8,9)RS-2

Item Number	Pay Item Description	Unit of Measure	Quantity	x	Unit Price	=	Total Price
30300001	AGG SUBGRADE IMPROVE	CU YD	61.000				
40600525	LEV BIND HM N50	TON	62.000				
40600625	LEV BIND MM N50	TON	10,791.000				
40600982	HMA SURF REM BUTT JT	SQ YD	1,961.000				
40600985	PCC SURF REM BUTT JT	SQ YD	90.000				
40600990	TEMPORARY RAMP	SQ YD	364.000				
40603310	HMA SC "C" N50	TON	5,468.000				
40603335	HMA SC "D" N50	TON	15,604.000				
40603385	HMA SC "F" N50	TON	906.000				
40800050	INCIDENTAL HMA SURF	TON	2,884.000				
44000100	PAVEMENT REM	SQ YD	3.000				
44000158	HMA SURF REM 2 1/4	SQ YD	92,664.000				
44000165	HMA SURF REM 4	SQ YD	283.000				
44201359	CL C PATCH T4 10	SQ YD	253.000				
44300200	STRIP REF CR CON TR	FOOT	4,585.000				

ILLINOIS DEPARTMENT OF TRANSPORTATION
 SCHEDULE OF PRICES
 CONTRACT
 NUMBER -

State Job # - C-92-028-13

64F85

Project Number

Route

County Name - CARROLL- WHITESIDE-

FAP 646

Code - 15 - 195 -

FAS 2187A

District - 2 - 2 -

Section Number - (7,8,9)RS-2

Item Number	Pay Item Description	Unit of Measure	Quantity	x	Unit Price	=	Total Price
48102100	AGG WEDGE SHLD TYPE B	TON	9,784.000				
48203020	HMA SHOULDERS 5 3/4	SQ YD	3.000				
60100080	FRENCH DRAINS	CU YD	1.000				
63000001	SPBGR TY A 6FT POSTS	FOOT	100.000				
63100167	TR BAR TRM T1 SPL TAN	EACH	13.000				
63100169	TR BAR TRM T1 SPL FLR	EACH	1.000				
63200310	GUARDRAIL REMOV	FOOT	525.000				
63500105	DELINEATORS	EACH	14.000				
66700305	PERM SURV MKRS T2	EACH	10.000				
67000400	ENGR FIELD OFFICE A	CAL MO	5.000				
67100100	MOBILIZATION	L SUM	1.000				
70100450	TRAF CONT-PROT 701201	L SUM	1.000				
70100460	TRAF CONT-PROT 701306	L SUM	1.000				
70100500	TRAF CONT-PROT 701326	L SUM	1.000				
70102620	TR CONT & PROT 701501	L SUM	1.000				

ILLINOIS DEPARTMENT OF TRANSPORTATION
 SCHEDULE OF PRICES
 CONTRACT
 NUMBER -

State Job # - C-92-028-13

64F85

Project Number

Route

County Name - CARROLL- WHITESIDE-

FAP 646

Code - 15 - 195 -

FAS 2187A

District - 2 - 2 -

Section Number - (7,8,9)RS-2

Item Number	Pay Item Description	Unit of Measure	Quantity	x	Unit Price	=	Total Price
70102635	TR CONT & PROT 701701	L SUM	1.000				
70103815	TR CONT SURVEILLANCE	CAL DA	5.000				
70300100	SHORT TERM PAVT MKING	FOOT	23,117.000				
70301000	WORK ZONE PAVT MK REM	SQ FT	9,890.000				
78009000	MOD URETH PM LTR-SYM	SQ FT	406.000				
78009004	MOD URETH PM LINE 4	FOOT	253,160.000				
78009008	MOD URETH PM LINE 8	FOOT	2,053.000				
78009012	MOD URETH PM LINE 12	FOOT	2,022.000				
78009024	MOD URETH PM LINE 24	FOOT	287.000				
78100100	RAISED REFL PAVT MKR	EACH	1,104.000				
78200410	GUARDRAIL MKR TYPE A	EACH	6.000				
78201000	TERMINAL MARKER - DA	EACH	14.000				
78300200	RAISED REF PVT MK REM	EACH	1,028.000				

CONTRACT NUMBER

64F85

THIS IS THE TOTAL BID

\$ _____

NOTES:

- 1. Each PAY ITEM should have a UNIT PRICE and a TOTAL PRICE.**
- 2. The UNIT PRICE shall govern if no TOTAL PRICE is shown or if there is a discrepancy between the product of the UNIT PRICE multiplied by the QUANTITY.**
- 3. If a UNIT PRICE is omitted, the TOTAL PRICE will be divided by the QUANTITY in order to establish a UNIT PRICE.**
- 4. A bid may be declared UNACCEPTABLE if neither a unit price nor a total price is shown.**

RETURN WITH BID

STATE REQUIRED ETHICAL STANDARDS GOVERNING CONTRACT PROCUREMENT: ASSURANCES, CERTIFICATIONS AND DISCLOSURES

I. GENERAL

A. Article 50 of the Code establishes the duty of all State CPOs, SPOs, and their designees to maximize the value of the expenditure of public moneys in procuring goods, services, and contracts for the State of Illinois and to act in a manner that maintains the integrity and public trust of State government. In discharging this duty, they are charged by law to use all available information, reasonable efforts, and reasonable actions to protect, safeguard, and maintain the procurement process of the State of Illinois.

B. In order to comply with the provisions of Article 50 and to carry out the duty established therein, all bidders are to adhere to ethical standards established for the procurement process, and to make such assurances, disclosures and certifications required by law. Except as otherwise required in subsection III, paragraphs J-M, by execution of the Proposal Signature Sheet, the bidder indicates that each of the mandated assurances have been read and understood, that each certification is made and understood, and that each disclosure requirement has been understood and completed.

C. In addition to all other remedies provided by law, failure to comply with any assurance, failure to make any disclosure or the making of a false certification shall be grounds for the CPO to void the contract, and may result in the suspension or debarment of the bidder or subcontractor. If a false certification is made by a subcontractor the contractor's submitted bid and the executed contract may not be declared void unless the contractor refuses to terminate the subcontract upon the State's request after a finding that the subcontractor's certification was false.

I acknowledge, understand and accept these terms and conditions.

II. ASSURANCES

The assurances hereinafter made by the bidder are each a material representation of fact upon which reliance is placed should the Department enter into the contract with the bidder.

A. Conflicts of Interest

Section 50-13. Conflicts of Interest.

(a) Prohibition. It is unlawful for any person holding an elective office in this State, holding a seat in the General Assembly, or appointed to or employed in any of the offices or agencies of state government and who receives compensation for such employment in excess of 60% of the salary of the Governor of the State of Illinois, or who is an officer or employee of the Capital Development Board or the Illinois State Toll Highway Authority, or who is the spouse or minor child of any such person to have or acquire any contract, or any direct pecuniary interest in any contract therein, whether for stationery, printing, paper, or any services, materials, or supplies, that will be wholly or partially satisfied by the payment of funds appropriated by the General Assembly of the State of Illinois or in any contract of the Capital Development Board or the Illinois State Toll Highway Authority.

(b) Interests. It is unlawful for any firm, partnership, association or corporation, in which any person listed in subsection (a) is entitled to receive (i) more than 7 1/2% of the total distributable income or (ii) an amount in excess of the salary of the Governor, to have or acquire any such contract or direct pecuniary interest therein.

(c) Combined interests. It is unlawful for any firm, partnership, association, or corporation, in which any person listed in subsection (a) together with his or her spouse or minor children is entitled to receive (i) more than 15%, in the aggregate, of the total distributable income or (ii) an amount in excess of 2 times the salary of the Governor, to have or acquire any such contract or direct pecuniary interest therein.

(d) Securities. Nothing in this Section invalidates the provisions of any bond or other security previously offered or to be offered for sale or sold by or for the State of Illinois.

(e) Prior interests. This Section does not affect the validity of any contract made between the State and an officer or employee of the State or member of the General Assembly, his or her spouse, minor child or any combination of those persons if that contract was in existence before his or her election or employment as an officer, member, or employee. The contract is voidable, however, if it cannot be completed within 365 days after the officer, member, or employee takes office or is employed.

The current salary of the Governor is \$177,412.00. Sixty percent of the salary is \$106,447.20.

RETURN WITH BID

The bidder assures the Department that the award and execution of the contract would not cause a violation of Section 50-13, or that an effective exemption has been issued by the Board of Ethics to any individual subject to the Section 50-13 prohibitions pursuant to the provisions of Section 50-20 of the Code. Information concerning the exemption process is available from the Department upon request.

B. Negotiations

Section 50-15. Negotiations.

It is unlawful for any person employed in or on a continual contractual relationship with any of the offices or agencies of State government to participate in contract negotiations on behalf of that office or agency with any firm, partnership, association, or corporation with whom that person has a contract for future employment or is negotiating concerning possible future employment.

The bidder assures the Department that the award and execution of the contract would not cause a violation of Section 50-15, and that the bidder has no knowledge of any facts relevant to the kinds of acts prohibited therein.

C. Inducements

Section 50-25. Inducement.

Any person who offers or pays any money or other valuable thing to any person to induce him or her not to bid for a State contract or as recompense for not having bid on a State contract is guilty of a Class 4 felony. Any person who accepts any money or other valuable thing for not bidding for a State contract or who withholds a bid in consideration of the promise for the payment of money or other valuable thing is guilty of a Class 4 felony.

The bidder assures the Department that the award and execution of the contract would not cause a violation of Section 50-25, and that the bidder has no knowledge of any facts relevant to the kinds of acts prohibited therein.

D. Revolving Door Prohibition

Section 50-30. Revolving door prohibition.

CPOs, SPOs, procurement compliance monitors, their designees whose principal duties are directly related to State procurement, and executive officers confirmed by the Senate are expressly prohibited for a period of 2 years after terminating an affected position from engaging in any procurement activity relating to the State agency most recently employing them in an affected position for a period of at least 6 months. The prohibition includes, but is not limited to: lobbying the procurement process; specifying; bidding; proposing bid, proposal, or contract documents; on their own behalf or on behalf of any firm, partnership, association, or corporation. This Section applies only to persons who terminate an affected position on or after January 15, 1999.

The bidder assures the Department that the award and execution of the contract would not cause a violation of Section 50-30, and that the bidder has no knowledge of any facts relevant to the kinds of acts prohibited therein.

E. Reporting Anticompetitive Practices

Section 50-40. Reporting anticompetitive practices.

When, for any reason, any vendor, bidder, contractor, CPO, SPO, designee, elected official, or State employee suspects collusion or other anticompetitive practice among any bidders, offerors, contractors, proposers, or employees of the State, a notice of the relevant facts shall be transmitted to the Attorney General and the CPO.

The bidder assures the Department that it has not failed to report any relevant facts concerning the practices addressed in Section 50-40 which may involve the contract for which the bid is submitted.

F. Confidentiality

Section 50-45. Confidentiality.

Any CPO, SPO, designee, or executive officer who willfully uses or allows the use of specifications, competitive bid documents, proprietary competitive information, proposals, contracts, or selection information to compromise the fairness or integrity of the procurement, bidding, or contract process shall be subject to immediate dismissal, regardless of the Personnel code, any contract, or any collective bargaining agreement, and may in addition be subject to criminal prosecution.

The bidder assures the Department that it has no knowledge of any fact relevant to the practices addressed in Section 50-45 which may involve the contract for which the bid is submitted.

RETURN WITH BID

G. Insider Information

Section 50-50. Insider information.

It is unlawful for any current or former elected or appointed State official or State employee to knowingly use confidential information available only by virtue of that office or employment for actual or anticipated gain for themselves or another person.

The bidder assures the Department that it has no knowledge of any facts relevant to the practices addressed in Section 50-50 which may involve the contract for which the bid is submitted.

I acknowledge, understand and accept these terms and conditions for the above assurances.

III. CERTIFICATIONS

The certifications hereinafter made by the bidder are each a material representation of fact upon which reliance is placed should the Department enter into the contract with the bidder. Section 50-2 of the Code provides that every person that has entered into a multi-year contract and every subcontractor with a multi-year subcontract shall certify, by July 1 of each fiscal year covered by the contract after the initial fiscal year, to the responsible CPO whether it continues to satisfy the requirements of Article 50 pertaining to the eligibility for a contract award. If a contractor or subcontractor is not able to truthfully certify that it continues to meet all requirements, it shall provide with its certification a detailed explanation of the circumstances leading to the change in certification status. A contractor or subcontractor that makes a false statement material to any given certification required under Article 50 is, in addition to any other penalties or consequences prescribed by law, subject to liability under the Whistleblower Reward and Protection Act for submission of a false claim.

A. Bribery

Section 50-5. Bribery.

(a) Prohibition. No person or business shall be awarded a contract or subcontract under this Code who:

(1) has been convicted under the laws of Illinois or any other state of bribery or attempting to bribe an officer or employee of the State of Illinois or any other state in that officer's or employee's official capacity; or

(2) has made an admission of guilt of that conduct that is a matter of record but has not been prosecuted for that conduct.

(b) Businesses. No business shall be barred from contracting with any unit of State or local government, or subcontracting under such a contract, as a result of a conviction under this Section of any employee or agent of the business if the employee or agent is no longer employed by the business and:

(1) the business has been finally adjudicated not guilty; or

(2) the business demonstrates to the governmental entity with which it seeks to contract, or which is signatory to the contract which the subcontract relates, and that entity finds that the commission of the offense was not authorized, requested, commanded, or performed by a director, officer, or high managerial agent on behalf of the business as provided in paragraph (2) of subsection (a) of Section 5-4 of the Criminal Code of 2012.

(c) Conduct on behalf of business. For purposes of this Section, when an official, agent, or employee of a business committed the bribery or attempted bribery on behalf of the business and in accordance with the direction or authorization of a responsible official of the business, the business shall be chargeable with the conduct.

(d) Certification. Every bid submitted to and contract executed by the State, and every subcontract subject to Section 20-120 of the Code shall contain a certification by the contractor or the subcontractor, respectively, that the contractor or subcontractor is not barred from being awarded a contract or subcontract under this Section and acknowledges that the CPO may declare the related contract void if any certifications required by this Section are false. A contractor who makes a false statement, material to the certification, commits a Class 3 felony.

The contractor or subcontractor certifies that it is not barred from being awarded a contract under Section 50.5.

B. Felons

Section 50-10. Felons.

(a) Unless otherwise provided, no person or business convicted of a felony shall do business with the State of Illinois or any State agency, or enter into a subcontract, from the date of conviction until 5 years after the date of completion of the sentence for that felony, unless no person held responsible by a prosecutorial office for the facts upon which the conviction was based continues to have any involvement with the business.

(b) Certification. Every bid submitted to and contract executed by the State and every subcontract subject to Section 20-120 of the Code shall contain a certification by the bidder or contractor or subcontractor, respectively, that the bidder, contractor, or subcontractor is not barred from being awarded a contract or subcontract under this Section and acknowledges that the CPO may declare the related contract void if any of the certifications required by this Section are false.

RETURN WITH BID

C. Debt Delinquency

Section 50-11 and 50-12. Debt Delinquency.

The contractor or bidder or subcontractor, respectively, certifies that it, or any affiliate, is not barred from being awarded a contract or subcontract under the Code. Section 50-11 prohibits a person from entering into a contract with a State agency, or entering into a subcontract, if it knows or should know that it, or any affiliate, is delinquent in the payment of any debt to the State as defined by the Debt Collection Board. Section 50-12 prohibits a person from entering into a contract with a State agency, or entering into a subcontract, if it, or any affiliate, has failed to collect and remit Illinois Use Tax on all sales of tangible personal property into the State of Illinois in accordance with the provisions of the Illinois Use Tax Act. The bidder or contractor or subcontractor, respectively, further acknowledges that the CPO may declare the related contract void if this certification is false or if the bidder, contractor, or subcontractor, or any affiliate, is determined to be delinquent in the payment of any debt to the State during the term of the contract.

D. Prohibited Bidders, Contractors and Subcontractors

Section 50-10.5 and 50-60(c). Prohibited bidders, contractors and subcontractors.

The bidder or contractor or subcontractor, respectively, certifies in accordance with 30 ILCS 500/50-10.5 that no officer, director, partner or other managerial agent of the contracting business has been convicted of a felony under the Sarbanes-Oxley Act of 2002 or a Class 3 or Class 2 felony under the Illinois Securities Law of 1953 or if in violation of Subsection (c) for a period of five years from the date of conviction. Every bid submitted to and contract executed by the State and every subcontract subject to Section 20-120 of the Code shall contain a certification by the bidder, contractor, or subcontractor, respectively, that the bidder, contractor, or subcontractor is not barred from being awarded a contract or subcontract under this Section and acknowledges that the CPO shall declare the related contract void if any of the certifications completed pursuant to this Section are false.

E. Section 42 of the Environmental Protection Act

The bidder or contractor or subcontractor, respectively, certifies in accordance with 30 ILCS 500/50-14 that the bidder, contractor, or subcontractor, is not barred from being awarded a contract or entering into a subcontract under this Section which prohibits the bidding on or entering into contracts with the State of Illinois or a State agency, or entering into any subcontract, that is subject to the Code by a person or business found by a court or the Pollution Control Board to have committed a willful or knowing violation of Section 42 of the Environmental Protection Act for a period of five years from the date of the order. The bidder or contractor or subcontractor, respectively, acknowledges that the CPO may declare the contract void if this certification is false.

F. Educational Loan

Section 3 of the Educational Loan Default Act provides no State agency shall contract with an individual for goods or services if that individual is in default, as defined in Section 2 of this Act, on an educational loan. Any contract used by any State agency shall include a statement certifying that the individual is not in default on an educational loan as provided in this Section.

The bidder, if an individual as opposed to a corporation, partnership or other form of business organization, certifies that the bidder is not in default on an educational loan as provided in Section 3 of the Act.

G. Bid-Rigging/Bid Rotating

Section 33E-11 of the Criminal Code of 2012 provides:

(a) Every bid submitted to and public contract executed pursuant to such bid by the State or a unit of local government shall contain a certification by the prime contractor that the prime contractor is not barred from contracting with any unit of State or local government as a result of a violation of either Section 33E-3 or 33E-4 of this Article

(b) A contractor who makes a false statement, material to the certification, commits a Class 3 felony.

A violation of Section 33E-3 would be represented by a conviction of the crime of bid-rigging which, in addition to Class 3 felony sentencing, provides that any person convicted of this offense or any similar offense of any state or the United States which contains the same elements as this offense shall be barred for 5 years from the date of conviction from contracting with any unit of State or local government. No corporation shall be barred from contracting with any unit of State or local government as a result of a conviction under this Section of any employee or agent of such corporation if the employee so convicted is no longer employed by the corporation and: (1) it has been finally adjudicated not guilty or (2) if it demonstrates to the governmental entity with which it seeks to contract and that entity finds that the commission of the offense was neither authorized, requested, commanded, nor performed by a director, officer or a high managerial agent in behalf of the corporation.

RETURN WITH BID

A violation of Section 33E-4 would be represented by a conviction of the crime of bid-rotating which, in addition to Class 2 felony sentencing, provides that any person convicted of this offense or any similar offense of any state or the United States which contains the same elements as this offense shall be permanently barred from contracting with any unit of State or local government. No corporation shall be barred from contracting with any unit of State or local government as a result of a conviction under this Section of any employee or agent of such corporation if the employee so convicted is no longer employed by the corporation and: (1) it has been finally adjudicated not guilty or (2) if it demonstrates to the governmental entity with which it seeks to contract and that entity finds that the commission of the offense was neither authorized, requested, commanded, nor performed by a director, officer or a high managerial agent in behalf of the corporation.

The bidder certifies that it is not barred from contracting with the Department by reason of a violation of either Section 33E-3 or Section 33E-4.

H. International Anti-Boycott

Section 5 of the International Anti-Boycott Certification Act provides every contract entered into by the State of Illinois for the manufacture, furnishing, or purchasing of supplies, material, or equipment or for the furnishing of work, labor, or services, in an amount exceeding the threshold for small purchases according to the purchasing laws of this State or \$10,000.00, whichever is less, shall contain certification, as a material condition of the contract, by which the contractor agrees that neither the contractor nor any substantially-owned affiliated company is participating or shall participate in an international boycott in violation of the provisions of the U.S. Export Administration Act of 1979 or the regulations of the U.S. Department of Commerce promulgated under that Act.

The bidder makes the certification set forth in Section 5 of the Act.

I. Drug Free Workplace

The Illinois "Drug Free Workplace Act" applies to this contract and it is necessary to comply with the provisions of the "Act" if the contractor is a corporation, partnership, or other entity (including a sole proprietorship) which has 25 or more employees.

The bidder certifies that if awarded a contract in excess of \$5,000 it will provide a drug free workplace in compliance with the provisions of the Act.

J. Disclosure of Business Operations in Iran

Section 50-36 of the Code, 30ILCS 500/50-36 provides that each bid, offer, or proposal submitted for a State contract shall include a disclosure of whether or not the Company acting as the bidder, offeror, or proposing entity, or any of its corporate parents or subsidiaries, within the 24 months before submission of the bid, offer, or proposal had business operations that involved contracts with or provision of supplies or services to the Government of Iran, companies in which the Government of Iran has any direct or indirect equity share, consortiums or projects commissioned by the Government of Iran, or companies involved in consortiums or projects commissioned by the Government of Iran and either of the following conditions apply:

- (1) More than 10% of the Company's revenues produced in or assets located in Iran involve oil-related activities or mineral-extraction activities; less than 75% of the Company's revenues produced in or assets located in Iran involve contracts with or provision of oil-related or mineral-extraction products or services to the Government of Iran or a project or consortium created exclusively by that government; and the Company has failed to take substantial action.
- (2) The Company has, on or after August 5, 1996, made an investment of \$20 million or more, or any combination of investments of at least \$10 million each that in the aggregate equals or exceeds \$20 million in any 12-month period, which directly or significantly contributes to the enhancement of Iran's ability to develop petroleum resources of Iran.

The terms "Business operations", "Company", "Mineral-extraction activities", "Oil-related activities", "Petroleum resources", and "Substantial action" are all defined in the Code.

Failure to make the disclosure required by the Code shall cause the bid, offer or proposal to be considered not responsive. The disclosure will be considered when evaluating the bid or awarding the contract. The name of each Company disclosed as doing business or having done business in Iran will be provided to the State Comptroller.

Check the appropriate statement:

Company has no business operations in Iran to disclose.

Company has business operations in Iran as disclosed the attached document.

RETURN WITH BID

K. Apprenticeship and Training Certification (Does not apply to federal aid projects)

In accordance with the provisions of Section 30-22 (6) of the Code, the bidder certifies that it is a participant, either as an individual or as part of a group program, in the approved apprenticeship and training programs applicable to each type of work or craft that the bidder will perform with its own forces. The bidder further certifies for work that will be performed by subcontract that each of its subcontractors submitted for approval either (a) is, at the time of such bid, participating in an approved, applicable apprenticeship and training program; or (b) will, prior to commencement of performance of work pursuant to this contract, begin participation in an approved apprenticeship and training program applicable to the work of the subcontract. The Department, at any time before or after award, may require the production of a copy of each applicable Certificate of Registration issued by the United States Department of Labor evidencing such participation by the contractor and any or all of its subcontractors. Applicable apprenticeship and training programs are those that have been approved and registered with the United States Department of Labor. The bidder shall list in the space below, the official name of the program sponsor holding the Certificate of Registration for all of the types of work or crafts in which the bidder is a participant and that will be performed with the bidder's forces. Types of work or craft work that will be subcontracted shall be included and listed as subcontract work. The list shall also indicate any type of work or craft job category that does not have an applicable apprenticeship or training program. **The bidder is responsible for making a complete report and shall make certain that each type of work or craft job category that will be utilized on the project as reported on the Construction Employee Workforce Projection (Form BC-1256) and returned with the bid is accounted for and listed.**

The requirements of this certification and disclosure are a material part of the contract, and the contractor shall require this certification provision to be included in all approved subcontracts. In order to fulfill this requirement, it shall not be necessary that an applicable program sponsor be currently taking or that it will take applications for apprenticeship, training or employment during the performance of the work of this contract.

TO BE RETURNED WITH BID

L. Political Contributions and Registration with the State Board of Elections

Sections 20-160 and 50-37 of the Code regulate political contributions from business entities and any affiliated entities or affiliated persons bidding on or contracting with the state. Generally under Section 50-37, any business entity, and any affiliated entity or affiliated person of the business entity, whose current year contracts with all state agencies exceed an awarded value of \$50,000, are prohibited from making any contributions to any political committees established to promote the candidacy of the officeholder responsible for the awarding of the contracts or any other declared candidate for that office for the duration of the term of office of the incumbent officeholder or a period 2 years after the termination of the contract, whichever is longer. Any business entity and affiliated entities or affiliated persons whose state contracts in the current year do not exceed an awarded value of \$50,000, but whose aggregate pending bids and proposals on state contracts exceed \$50,000, either alone or in combination with contracts not exceeding \$50,000, are prohibited from making any political contributions to any political committee established to promote the candidacy of the officeholder responsible for awarding the pending contract during the period beginning on the date the invitation for bids or request for proposals is issued and ending on the day after the date of award or selection if the entity was not awarded or selected. Section 20-160 requires certification of registration of affected business entities in accordance with procedures found in Section 9-35 of The Election Code.

By submission of a bid, the contractor business entity acknowledges and agrees that it has read and understands Sections 20-160 and 50-37 of the Code, and that it makes the following certification:

The undersigned bidder certifies that it has registered as a business with the State Board of Elections and acknowledges a continuing duty to update the registration in accordance with the above referenced statutes. If the business entity is required to register, the CPO shall verify that it is in compliance on the date the bid or proposal is due. The CPO shall not accept a bid or proposal if the business entity is not in compliance with the registration requirements.

These requirements and compliance with the above referenced statutory sections are a material part of the contract, and any breach thereof shall be cause to void the contract under Section 50-60 of the Code. This provision does not apply to Federal-aid contracts.

M. Lobbyist Disclosure

Section 50-38 of the Code requires that any bidder or offeror on a State contract that hires a person required to register under the Lobbyist Registration Act to assist in obtaining a contract shall:

- (i) Disclose all costs, fees, compensation, reimbursements, and other remunerations paid or to be paid to the lobbyist related to the contract,
- (ii) Not bill or otherwise cause the State of Illinois to pay for any of the lobbyist's costs, fees, compensation, reimbursements, or other remuneration, and
- (iii) Sign a verification certifying that none of the lobbyist's costs, fees, compensation, reimbursements, or other remuneration were billed to the State.

This information, along with all supporting documents, shall be filed with the agency awarding the contract and with the Secretary of State. The CPO shall post this information, together with the contract award notice, in the online Procurement Bulletin.

Pursuant to Subsection (c) of this Section, no person or entity shall retain a person or entity to attempt to influence the outcome of a procurement decision made under the Code for compensation contingent in whole or in part upon the decision or procurement. Any person who violates this subsection is guilty of a business offense and shall be fined not more than \$10,000.

Bidder acknowledges that it is required to disclose the hiring of any person required to register pursuant to the Illinois Lobbyist Registration Act (25 ILCS 170) in connection with this contract.

Bidder has not hired any person required to register pursuant to the Illinois Lobbyist Registration Act in connection with this contract.

Or

Bidder has hired the following persons required to register pursuant to the Illinois Lobbyist Registration Act in connection with the contract:

Name and address of person: _____
All costs, fees, compensation, reimbursements and other remuneration paid to said person: _____

I acknowledge, understand and accept these terms and conditions for the above certifications.

RETURN WITH BID

IV. DISCLOSURES

- A. The disclosures hereinafter made by the bidder are each a material representation of fact upon which reliance is placed should the Department enter into the contract with the bidder. The bidder further certifies that the Department has received the disclosure forms for each bid.

The CPO may void the bid, or contract, respectively, if it is later determined that the bidder or subcontractor rendered a false or erroneous disclosure. A contractor or subcontractor may be suspended or debarred for violations of the Code. Furthermore, the CPO may void the contract and the surety providing the performance bond shall be responsible for completion of the contract.

B. Financial Interests and Conflicts of Interest

1. Section 50-35 of the Code provides that all bids of more than \$25,000 shall be accompanied by disclosure of the financial interests of the bidder. This disclosed information for the successful bidder, will be maintained as public information subject to release by request pursuant to the Freedom of Information Act, filed with the Procurement Policy Board, and shall be incorporated as a material term of the contract. Furthermore, pursuant to Section 5-5, the Procurement Policy Board may review a proposal, bid, or contract and issue a recommendation to void a contract or reject a proposal or bid based on any violation of the Code or the existence of a conflict of interest as provided in subsections (b) and (d) of Section 50-35.

The financial interests to be disclosed shall include ownership or distributive income share that is in excess of 5%, or an amount greater than 60% of the annual salary of the Governor, of the bidding entity or its parent entity, whichever is less, unless the contractor or bidder is a publicly traded entity subject to Federal 10K reporting, in which case it may submit its 10K disclosure in place of the prescribed disclosure. If a bidder is a privately held entity that is exempt from Federal 10K reporting, but has more than 200 shareholders, it may submit the information that Federal 10K companies are required to report, and list the names of any person or entity holding any ownership share that is in excess of 5%. The disclosure shall include the names, addresses, and dollar or proportionate share of ownership of each person making the disclosure, their instrument of ownership or beneficial relationship, and notice of any potential conflict of interest resulting from the current ownership or beneficial interest of each person making the disclosure having any of the relationships identified in Section 50-35 and on the disclosure form.

The current annual salary of the Governor is \$177,412.00

In addition, all disclosures shall indicate any other current or pending contracts, proposals, leases, or other ongoing procurement relationships the bidding entity has with any other unit of state government and shall clearly identify the unit and the contract, proposal, lease, or other relationship.

2. Disclosure Forms. Disclosure Form A is attached for use concerning the individuals meeting the above ownership or distributive share requirements. A separate Disclosure Form A must be submitted with the bid for each individual meeting the above requirements. In addition, a second form (Disclosure Form B) provides for the disclosure of current or pending procurement relationships with other (non-IDOT) state agencies and a total ownership certification. **The forms must be included with each bid.**

C. Disclosure Form Instructions

Form A Instructions for Financial Information & Potential Conflicts of Interest

If the bidder is a publicly traded entity subject to Federal 10K reporting, the 10K Report may be submitted to meet the requirements of Form A. If a bidder is a privately held entity that is exempt from Federal 10K reporting, but has more than 200 shareholders, it may submit the information that Federal 10K companies are required to report, and list the names of any person or entity holding any ownership share that is in excess of 5%. If a bidder is not subject to Federal 10K reporting, the bidder must determine if any individuals are required by law to complete a financial disclosure form. To do this, the bidder should answer each of the following questions. A "YES" answer indicates Form A must be completed. If the answer to each of the following questions is "NO", then the NOT APPLICABLE STATEMENT on Form A must be signed and dated by a person that is authorized to execute contracts for the bidding company. Note: These questions are for assistance only and are not required to be completed.

1. Does anyone in your organization have a direct or beneficial ownership share of greater than 5% of the bidding entity or parent entity? YES ___ NO ___
2. Does anyone in your organization have a direct or beneficial ownership share of less than 5%, but which has a value greater than 60% of the annual salary of the Governor? YES ___ NO ___
3. Does anyone in your organization receive more than 60% of the annual salary of the Governor of the bidding entity's or parent entity's distributive income? YES ___ NO ___

(Note: Distributive income is, for these purposes, any type of distribution of profits. An annual salary is not distributive income.)

4. Does anyone in your organization receive greater than 5% of the bidding entity's or parent entity's total distributive income, but which is less than 60% of the annual salary of the Governor? YES ___ NO ___

(Note: Only one set of forms needs to be completed per person per bid even if a specific individual would require a yes answer to more than one question.)

A "YES" answer to any of these questions requires the completion of Form A. The bidder must determine each individual in the bidding entity or the bidding entity's parent company that would cause the questions to be answered "Yes". Each form must be signed and dated by a person that is authorized to execute contracts for your organization. **Photocopied or stamped signatures are not acceptable.** The person signing can be, but does not have to be, the person for which the form is being completed. The bidder is responsible for the accuracy of any information provided.

If the answer to each of the above questions is "NO", then the NOT APPLICABLE STATEMENT of Form A must be signed and dated by a person that is authorized to execute contracts for your company.

RETURN WITH BID

Form B: Instructions for Identifying Other Contracts & Procurement Related Information

Disclosure Form B must be completed for each bid submitted by the bidding entity. *Note: Checking the NOT APPLICABLE STATEMENT on Form A does not allow the bidder to ignore Form B. Form B must be completed, checked, and dated or the bidder may be considered nonresponsive and the bid will not be accepted.*

The Bidder shall identify, by checking Yes or No on Form B, whether it has any pending contracts (including leases), bids, proposals, or other ongoing procurement relationship with any other (non-IDOT) State of Illinois agency. If "No" is checked, the bidder only needs to complete the check box on the bottom of Form B. If "Yes" is checked, the bidder must do one of the following:

Option I: If the bidder did not submit an Affidavit of Availability to obtain authorization to bid, the bidder must list all non-IDOT State of Illinois agency pending contracts, leases, bids, proposals, and other ongoing procurement relationships. These items may be listed on Form B or on an attached sheet(s). Do not include IDOT contracts. Contracts with cities, counties, villages, etc. are not considered State of Illinois agency contracts and are not to be included. Contracts with other State of Illinois agencies such as the Department of Natural Resources or the Capital Development Board must be included. Bidders who submit Affidavits of Availability are suggested to use Option II.

Option II: If the bidder is required and has submitted an Affidavit of Availability in order to obtain authorization to bid, the bidder may write or type "See Affidavit of Availability" which indicates that the Affidavit of Availability is incorporated by reference and includes all non-IDOT State of Illinois agency pending contracts, leases, bids, proposals, and other ongoing procurement relationships. For any contracts that are not covered by the Affidavit of Availability, the bidder must identify them on Form B or on an attached sheet(s). These might be such things as leases.

**ILLINOIS DEPARTMENT
OF TRANSPORTATION**

**Form A
Financial Information &
Potential Conflicts of Interest
Disclosure**

Contractor Name		
Legal Address		
City, State, Zip		
Telephone Number	Email Address	Fax Number (if available)

Disclosure of the information contained in this Form is required by the Section 50-35 of the Code (30 ILCS 500). Vendors desiring to enter into a contract with the State of Illinois must disclose the financial information and potential conflict of interest information as specified in this Disclosure Form. This information shall become part of the publicly available contract file. This Form A must be completed for bids in excess of \$25,000, and for all open-ended contracts. **A publicly traded company may submit a 10K disclosure (or equivalent if applicable) in satisfaction of the requirements set forth in Form A. See Disclosure Form Instructions.**

The current annual salary of the Governor is \$177,412.00.

DISCLOSURE OF FINANCIAL INFORMATION

1. Disclosure of Financial Information. The individual named below has an interest in the BIDDER (or its parent) in terms of ownership or distributive income share in excess of 5%, or an interest which has a value of more than 60% of the annual salary of the Governor. **(Make copies of this form as necessary and attach a separate Disclosure Form A for each individual meeting these requirements)**

FOR INDIVIDUAL (type or print information)	
NAME:	_____
ADDRESS	_____
Type of ownership/distributable income share:	
stock _____ sole proprietorship _____ Partnership _____ other: (explain on separate sheet):	
% or \$ value of ownership/distributable income share:	_____

2. Disclosure of Potential Conflicts of Interest. Check "Yes" or "No" to indicate which, if any, of the following potential conflict of interest relationships apply. If the answer to any question is "Yes", please attach additional pages and describe.

- (a) State employment, currently or in the previous 3 years, including contractual employment of services. Yes ___ No ___

If your answer is yes, please answer each of the following questions.

- Are you currently an officer or employee of either the Capitol Development Board or the Illinois State Toll Highway Authority? Yes ___ No ___
- Are you currently appointed to or employed by any agency of the State of Illinois? If you are currently appointed to or employed by any agency of the State of Illinois, and your annual salary exceeds 60% of the annual salary of the Governor, provide the name the State agency for which you are employed and your annual salary. _____

RETURN WITH BID

3. If you are currently appointed to or employed by any agency of the State of Illinois, and your annual salary exceeds 60% of the annual salary of the Governor, are you entitled to receive (i) more than 7 1/2% of the total distributable income of your firm, partnership, association or corporation, or (ii) an amount in excess of 100% of the annual salary of the Governor?
Yes ___ No ___

4. If you are currently appointed to or employed by any agency of the State of Illinois, and your annual salary exceeds 60% of the annual salary of the Governor, are you and your spouse or minor children entitled to receive (i) more than 15 % in the aggregate of the total distributable income of your firm, partnership, association or corporation, or (ii) an amount in excess of two times the salary of the Governor?
Yes ___ No ___

(b) State employment of spouse, father, mother, son, or daughter, including contractual employment for services in the previous 2 years.

Yes ___ No ___

If your answer is yes, please answer each of the following questions.

1. Is your spouse or any minor children currently an officer or employee of the Capitol Development Board or the Illinois State Toll Highway Authority?
Yes ___ No ___

2. Is your spouse or any minor children currently appointed to or employed by any agency of the State of Illinois? If your spouse or minor children is/are currently appointed to or employed by any agency of the State of Illinois, and his/her annual salary exceeds 60% of the annual salary of the Governor, provide the name of your spouse and/or minor children, the name of the State agency for which he/she is employed and his/her annual salary. _____

3. If your spouse or any minor children is/are currently appointed to or employed by any agency of the State of Illinois, and his/her annual salary exceeds 60% of the annual salary of the Governor, are you entitled to receive (i) more than 7 1/2% of the total distributable income of your firm, partnership, association or corporation, or (ii) an amount in excess of 100% of the annual salary of the Governor?
Yes ___ No ___

4. If your spouse or any minor children are currently appointed to or employed by any agency of the State of Illinois, and his/her annual salary exceeds 60% of the annual salary of the Governor, are you and your spouse or minor children entitled to receive (i) more than 15 % in the aggregate of the total distributable income of your firm, partnership, association or corporation, or (ii) an amount in excess of two times the salary of the Governor?
Yes ___ No ___

(c) Elective status; the holding of elective office of the State of Illinois, the government of the United States, any unit of local government authorized by the Constitution of the State of Illinois or the statutes of the State of Illinois currently or in the previous 3 years.
Yes ___ No ___

(d) Relationship to anyone holding elective office currently or in the previous 2 years; spouse, father, mother, son, or daughter.
Yes ___ No ___

(e) Appointive office; the holding of any appointive government office of the State of Illinois, the United States of America, or any unit of local government authorized by the Constitution of the State of Illinois or the statutes of the State of Illinois, which office entitles the holder to compensation in excess of the expenses incurred in the discharge of that office currently or in the previous 3 years.
Yes ___ No ___

(f) Relationship to anyone holding appointive office currently or in the previous 2 years; spouse, father, mother, son, or daughter.
Yes ___ No ___

(g) Employment, currently or in the previous 3 years, as or by any registered lobbyist of the State government.
Yes ___ No ___

RETURN WITH BID

(h) Relationship to anyone who is or was a registered lobbyist in the previous 2 years; spouse, father, mother, son, or daughter. Yes ___ No ___

(i) Compensated employment, currently or in the previous 3 years, by any registered election or reelection committee registered with the Secretary of State or any county clerk of the State of Illinois, or any political action committee registered with either the Secretary of State or the Federal Board of Elections. Yes ___ No ___

(j) Relationship to anyone; spouse, father, mother, son, or daughter; who was a compensated employee in the last 2 years by any registered election or re-election committee registered with the Secretary of State or any county clerk of the State of Illinois, or any political action committee registered with either the Secretary of State or the Federal Board of Elections. Yes ___ No ___

3. Communication Disclosure.

Disclose the name and address of each lobbyist and other agent of the bidder or offeror who is not identified in Section 2 of this form, who is has communicated, is communicating, or may communicate with any State officer or employee concerning the bid or offer. This disclosure is a continuing obligation and must be promptly supplemented for accuracy throughout the process and throughout the term of the contract. If no person is identified, enter "None" on the line below:

Name and address of person(s): _____

RETURN WITH BID

4. Debarment Disclosure. For each of the persons identified under Sections 2 and 3 of this form, disclose whether any of the following has occurred within the previous 10 years: debarment from contracting with any governmental entity; professional licensure discipline; bankruptcies; adverse civil judgments and administrative findings; and criminal felony convictions. This disclosure is a continuing obligation and must be promptly supplemented for accuracy throughout the procurement process and term of the contract. If no person is identified, enter "None" on the line below:

Name of person(s): _____

Nature of disclosure: _____

APPLICABLE STATEMENT

This Disclosure Form A is submitted on behalf of the INDIVIDUAL named on previous page. Under penalty of perjury, I certify the contents of this disclosure to be true and accurate to the best of my knowledge.

Completed by: _____ Date _____
Signature of Individual or Authorized Representative

NOT APPLICABLE STATEMENT

Under penalty of perjury, I have determined that no individuals associated with this organization meet the criteria that would require the completion of this Form A.

This Disclosure Form A is submitted on behalf of the CONTRACTOR listed on the previous page.

_____ Date _____
Signature of Authorized Representative

The bidder has a continuing obligation to supplement these disclosures under Sec. 50-35 of the Code.

RETURN WITH BID

ILLINOIS DEPARTMENT OF TRANSPORTATION

Form B Other Contracts & Financial Related Information Disclosure

Contractor Name, Legal Address, City, State, Zip, Telephone Number, Email Address, Fax Number (if available)

Disclosure of the information contained in this Form is required by the Section 50-35 of the Code (30 ILCS 500). This information shall become part of the publicly available contract file. This Form B must be completed for bids in excess of \$25,000, and for all open-ended contracts.

DISCLOSURE OF OTHER CONTRACTS AND PROCUREMENT RELATED INFORMATION

1. Identifying Other Contracts & Procurement Related Information. The BIDDER shall identify whether it has any pending contracts (including leases), bids, proposals, or other ongoing procurement relationship with any other State of Illinois agency: Yes ___ No ___

If "No" is checked, the bidder only needs to complete the signature box on the bottom of this page.

2. If "Yes" is checked. Identify each such relationship by showing State of Illinois agency name and other descriptive information such as bid or project number (attach additional pages as necessary). SEE DISCLOSURE FORM INSTRUCTIONS:

THE FOLLOWING STATEMENT MUST BE CHECKED

Signature of Authorized Representative, Date

OWNERSHIP CERTIFICATION

Please certify that the following statement is true if the individuals for all submitted Form A disclosures do not total 100% of ownership.

Any remaining ownership interest is held by individuals receiving less than \$106,447.20 of the bidding entity's or parent entity's distributive income or holding less than a 5% ownership interest.

Yes No N/A (Form A disclosure(s) established 100% ownership)

RETURN WITH BID

SPECIAL NOTICE TO CONTRACTORS

The following requirements of the Illinois Department of Human Rights' Rules and Regulations are applicable to bidders on all construction contracts advertised by the Illinois Department of Transportation:

CONSTRUCTION EMPLOYEE UTILIZATION PROJECTION

- (a) All bidders on construction contracts shall complete and submit, along with and as part of their bids, a Bidder's Employee Utilization Form (Form BC-1256) setting forth a projection and breakdown of the total workforce intended to be hired and/or allocated to such contract work by the bidder including a projection of minority and female employee utilization in all job classifications on the contract project.
- (b) The Department of Transportation shall review the Employee Utilization Form, and workforce projections contained therein, of the contract awardee to determine if such projections reflect an underutilization of minority persons and/or women in any job classification in accordance with the Equal Employment Opportunity Clause and Section 7.2 of the Illinois Department of Human Rights' Rules and Regulations for Public Contracts adopted as amended on September 17, 1980. If it is determined that the contract awardee's projections reflect an underutilization of minority persons and/or women in any job classification, it shall be advised in writing of the manner in which it is underutilizing and such awardee shall be considered to be in breach of the contract unless, prior to commencement of work on the contract project, it submits revised satisfactory projections or an acceptable written affirmative action plan to correct such underutilization including a specific timetable geared to the completion stages of the contract.
- (c) The Department of Transportation shall provide to the Department of Human Rights a copy of the contract awardee's Employee Utilization Form, a copy of any required written affirmative action plan, and any written correspondence related thereto. The Department of Human Rights may review and revise any action taken by the Department of Transportation with respect to these requirements.

RETURN WITH BID

**Contract No. 64F85
WHITESIDE-CARROLL Counties
Section (7,8,9)RS-2
Routes FAP 646 & FAS 2187A
District 2 Construction Funds**

PART II. WORKFORCE PROJECTION - continued

- B. Included in "Total Employees" under Table A is the total number of **new hires** that would be employed in the event the undersigned bidder is awarded this contract.

The undersigned bidder projects that: (number) _____ new hires would be recruited from the area in which the contract project is located; and/or (number) _____ new hires would be recruited from the area in which the bidder's principal office or base of operation is located.

- C. Included in "Total Employees" under Table A is a projection of numbers of persons to be employed directly by the undersigned bidder as well as a projection of numbers of persons to be employed by subcontractors.

The undersigned bidder estimates that (number) _____ persons will be directly employed by the prime contractor and that (number) _____ persons will be employed by subcontractors.

PART III. AFFIRMATIVE ACTION PLAN

- A. The undersigned bidder understands and agrees that in the event the foregoing minority and female employee utilization projection included under **PART II** is determined to be an underutilization of minority persons or women in any job category, and in the event that the undersigned bidder is awarded this contract, he/she will, prior to commencement of work, develop and submit a written Affirmative Action Plan including a specific timetable (geared to the completion stages of the contract) whereby deficiencies in minority and/or female employee utilization are corrected. Such Affirmative Action Plan will be subject to approval by the contracting agency and the **Department of Human Rights**.
- B. The undersigned bidder understands and agrees that the minority and female employee utilization projection submitted herein, and the goals and timetable included under an Affirmative Action Plan if required, are deemed to be part of the contract specifications.

Company _____ Telephone Number _____

Address _____

NOTICE REGARDING SIGNATURE

The Bidder's signature on the Proposal Signature Sheet will constitute the signing of this form. The following signature block needs to be completed if revisions are required.

Signature: _____ Title: _____ Date: _____

- Instructions: All tables must include subcontractor personnel in addition to prime contractor personnel.
- Table A - Include both the number of employees that would be hired to perform the contract work and the total number currently employed (Table B) that will be allocated to contract work, and include all apprentices and on-the-job trainees. The "Total Employees" column should include all employees including all minorities, apprentices and on-the-job trainees to be employed on the contract work.
- Table B - Include all employees currently employed that will be allocated to the contract work including any apprentices and on-the-job trainees currently employed.
- Table C - Indicate the racial breakdown of the total apprentices and on-the-job trainees shown in Table A.

RETURN WITH BID

**Contract No. 64F85
WHITESIDE-CARROLL Counties
Section (7,8,9)RS-2
Routes FAP 646 & FAS 2187A
District 2 Construction Funds**

PROPOSAL SIGNATURE SHEET

The undersigned bidder hereby makes and submits this bid on the subject Proposal, thereby assuring the Department that all requirements of the Invitation for Bids and rules of the Department have been met, that there is no misunderstanding of the requirements of paragraph 3 of this Proposal, and that the contract will be executed in accordance with the rules of the Department if an award is made on this bid.

(IF AN INDIVIDUAL)

Firm Name _____

Signature of Owner _____

Business Address _____

(IF A CO-PARTNERSHIP)

Firm Name _____

By _____

Business Address _____

Name and Address of All Members of the Firm:

(IF A CORPORATION)

Corporate Name _____

By _____

Signature of Authorized Representative

Typed or printed name and title of Authorized Representative

Attest _____

Signature

(IF A JOINT VENTURE, USE THIS SECTION FOR THE MANAGING PARTY AND THE SECOND PARTY SHOULD SIGN BELOW)

Business Address _____

(IF A JOINT VENTURE)

Corporate Name _____

By _____

Signature of Authorized Representative

Typed or printed name and title of Authorized Representative

Attest _____

Signature

Business Address _____

If more than two parties are in the joint venture, please attach an additional signature sheet.



This Annual Proposal Bid Bond shall become effective at 12:01 AM (CDST) on _____ and shall be valid until _____ 11:59 PM (CDST).

KNOW ALL PERSONS BY THESE PRESENTS, That We _____

as PRINCIPAL, and _____

as SURETY, and held jointly, severally and firmly bound unto the STATE OF ILLINOIS in the penal sum of 5 percent of the total bid price, or for the amount specified in the bid proposal under "Proposal Guaranty" in effect on the date of the Invitation for Bids, whichever is the lesser sum, well and truly to be paid unto said STATE OF ILLINOIS, for the payment of which we bind ourselves, our heirs, executors, administrators, successors and assigns.

THE CONDITION OF THE FOREGOING OBLIGATION IS SUCH that whereas, the PRINCIPAL may submit bid proposal(s) to the STATE OF ILLINOIS, acting through the Department of Transportation, for various improvements published in the Transportation Bulletin during the effective term indicated above.

NOW, THEREFORE, if the Department shall accept the bid proposal(s) of the PRINCIPAL; and if the PRINCIPAL shall, within the time and as specified in the bidding and contract documents; and if, after award by the Department, the PRINCIPAL shall enter into a contract in accordance with the terms of the bidding and contract documents including evidence of the required insurance coverages and providing such bond as specified with good and sufficient surety for the faithful performance of such contract and for the prompt payment of labor and material furnished in the prosecution thereof; or if, in the event of the failure of the PRINCIPAL to enter into such contract and to give the specified bond, the PRINCIPAL pays to the Department the difference not to exceed the penalty hereof between the amount specified in the bid proposal and such larger amount for which the Department may contract with another party to perform the work covered by said bid proposal, then this obligation shall be null and void, otherwise, it shall remain in full force and effect.

IN THE EVENT the Department determines the PRINCIPAL has failed to comply with any requirement as set forth in the preceding paragraph, then Surety shall pay the penal sum to the Department within fifteen (15) days of written demand therefor. If Surety does not make full payment within such period of time, the Department may bring an action to collect the amount owed. Surety is liable to the Department for all its expenses, including attorney's fees, incurred in any litigation in which it prevails either in whole or in part.

In TESTIMONY WHEREOF, the said PRINCIPAL has caused this instrument to be signed by its officer _____ day of _____ A.D., _____

In TESTIMONY WHEREOF, the said SURETY has caused this instrument to be signed by its officer _____ day of _____ A.D., _____

(Company Name)

(Company Name)

By _____
(Signature and Title)

By _____
(Signature of Attorney-in-Fact)

Notary for PRINCIPAL

Notary for SURETY

STATE OF _____
COUNTY OF _____

STATE OF _____
COUNTY OF _____

Signed and attested before me on _____ (date)

Signed and attested before me on _____ (date)

by _____
(Name of Notary Public)

by _____
(Name of Notary Public)

(Seal) _____
(Signature of Notary Public)

(Seal) _____
(Signature of Notary Public)

(Date Commission Expires)

(Date Commission Expires)

In lieu of completing the above section of the Annual Proposal Bid Bond form, the Principal may file an Electronic Bid Bond. By signing the proposal(s) the Principal is ensuring the identified electronic bid bond has been executed and the Principal and Surety are firmly bound unto the State of Illinois under the conditions of the bid bond as shown above.

Electronic Bid Bond ID #	Company/Bidder Name	Signature and Title
--------------------------	---------------------	---------------------

This bond may be terminated, at Surety's request, upon giving not less than thirty (30) days prior written notice of the cancellation/termination of the bond. Said written notice shall be issued to the Illinois Department of Transportation, Chief Contracts Official, 2300 South Dirksen Parkway, Springfield, Illinois, 62764, and shall be served in person, by receipted courier delivery or certified or registered mail, return receipt requested. Said notice period shall commence on the first calendar day following the Department's receipt of written cancellation/termination notice. Surety shall remain firmly bound to all obligations herein for proposals submitted prior to the cancellation/termination. Surety shall be released and discharged from any obligation(s) for proposals submitted for any letting or date after the effective date of cancellation/termination.



Item No. _____

Letting Date _____

KNOW ALL PERSONS BY THESE PRESENTS, That We _____

as PRINCIPAL, and _____

as SURETY, and held jointly, severally and firmly bound unto the STATE OF ILLINOIS in the penal sum of 5 percent of the total bid price, or for the amount specified in the bid proposal under "Proposal Guaranty" in effect on the date of the Invitation for Bids, whichever is the lesser sum, well and truly to be paid unto said STATE OF ILLINOIS, for the payment of which we bind ourselves, our heirs, executors, administrators, successors and assigns.

THE CONDITION OF THE FOREGOING OBLIGATION IS SUCH that whereas, the PRINCIPAL has submitted a bid proposal to the STATE OF ILLINOIS, acting through the Department of Transportation, for the improvement designated by the Transportation Bulletin Item Number and Letting Date indicated above.

NOW, THEREFORE, if the Department shall accept the bid proposal of the PRINCIPAL; and if the PRINCIPAL shall, within the time and as specified in the bidding and contract documents; and if, after award by the Department, the PRINCIPAL shall enter into a contract in accordance with the terms of the bidding and contract documents including evidence of the required insurance coverages and providing such bond as specified with good and sufficient surety for the faithful performance of such contract and for the prompt payment of labor and material furnished in the prosecution thereof; or if, in the event of the failure of the PRINCIPAL to enter into such contract and to give the specified bond, the PRINCIPAL pays to the Department the difference not to exceed the penalty hereof between the amount specified in the bid proposal and such larger amount for which the Department may contract with another party to perform the work covered by said bid proposal, then this obligation shall be null and void, otherwise, it shall remain in full force and effect.

IN THE EVENT the Department determines the PRINCIPAL has failed to comply with any requirement as set forth in the preceding paragraph, then Surety shall pay the penal sum to the Department within fifteen (15) days of written demand therefor. If Surety does not make full payment within such period of time, the Department may bring an action to collect the amount owed. Surety is liable to the Department for all its expenses, including attorney's fees, incurred in any litigation in which it prevails either in whole or in part.

In TESTIMONY WHEREOF, the said PRINCIPAL has caused this instrument to be signed by its officer
_____ day of _____ A.D., _____.

In TESTIMONY WHEREOF, the said SURETY has caused this instrument to be signed by its officer
_____ day of _____ A.D., _____.

(Company Name)

(Company Name)

By _____
(Signature and Title)

By _____
(Signature of Attorney-in-Fact)

Notary for PRINCIPAL

Notary for SURETY

STATE OF _____
COUNTY OF _____

STATE OF _____
COUNTY OF _____

Signed and attested before me on _____ (date)
by _____
(Name of Notary Public)

Signed and attested before me on _____ (date)
by _____
(Name of Notary Public)

(Seal) _____
(Signature of Notary Public)

(Seal) _____
(Signature of Notary Public)

(Date Commission Expires)

(Date Commission Expires)

In lieu of completing the above section of the Proposal Bid Bond form, the Principal may file an Electronic Bid Bond. By signing the proposal the Principal is ensuring the identified electronic bid bond has been executed and the Principal and Surety are firmly bound unto the State of Illinois under the conditions of the bid bond as shown above.

Electronic Bid Bond ID # _____ Company/Bidder Name _____ Signature and Title _____



(1) Policy

It is public policy that disadvantageded businesses as defined in 49 CFR Part 26 and the Special Provision shall have the maximum opportunity to participate in the performance of contracts financed in whole or in part with Federal or State funds. Consequently the requirements of 49 CFR Part 26 apply to this contract.

(2) Obligation

The contractor agrees to ensure that disadvantageded businesses as defined in 49 CFR Part 26 and the Special Provision have the maximum opportunity to participate in the performance of contracts or subcontracts financed in whole or in part with Federal or State funds. The contractor shall take all necessary and reasonable steps in accordance with 49 CFR Part 26 and the Special Provision to ensure that said businesses have the maximum opportunity to compete for and perform under this contract. The contractor shall not discriminate on the basis of race, color, national origin or sex in the award and performance of contracts.

(3) Project and Bid Identification

Complete the following information concerning the project and bid:

Route _____

Section _____

Project _____

County _____

Letting Date _____

Contract No. _____

Letting Item No. _____

Total Bid _____

Contract DBE Goal _____

(Percent) (Dollar Amount)

(4) Assurance

I, acting in my capacity as an officer of the undersigned bidder (or bidders if a joint venture), hereby assure the Department that on this project my company : (check one)

- Meets or exceeds contract award goals and has provided documented participation as follows:
Disadvantaged Business Participation _____ percent

Attached are the signed participation statements, forms SBE 2025, required by the Special Provision evidencing availability and use of each business participating in this plan and assuring that each business will perform a commercially useful function in the work of the contract.

- Failed to meet contract award goals and has included good faith effort documentation to meet the goals and that my company has provided participation as follows:
Disadvantaged Business Participation _____ percent

The contract goals should be accordingly modified or waived. Attached is all information required by the Special Provision in support of this request including good faith effort. Also attached are the signed participation statements, forms SBE 2025, required by the Special Provision evidencing availability and use of each business participating in this plan and assuring that each business will perform a commercially useful function in the work of the contract.

_____ Company

By _____

Title _____

Date _____

The "as read" Low Bidder is required to comply with the Special Provision.

Submit only one utilization plan for each project. The utilization plan shall be submitted in accordance with the special provision.

Bureau of Small Business Enterprises **Local Let Projects**
2300 South Dirksen Parkway Submit forms to the
Springfield, Illinois 62764 Local Agency

The Department of Transportation is requesting disclosure of information that is necessary to accomplish the purpose as outlined under State and Federal law. Disclosure of this information is **REQUIRED**. Failure to provide any information will result in the contract not being awarded. This form has been approved by the State Forms Manager Center.



Subcontractor Registration Number _____

Letting _____

Participation Statement

Item No. _____

(1) Instructions

Contract No. _____

This form must be completed for each disadvantaged business participating in the Utilization Plan. This form shall be submitted in accordance with the special provision and will be attached to the Utilization Plan form. If additional space is needed complete an additional form for the firm.

(2) Work:

Please indicate: J/V _____ Manufacturer _____ Supplier (60%) _____ Subcontractor _____ Trucking _____

Pay Item No.	Description	Quantity	Unit Price	Total
Total				

(3) Partial Payment Items (For any of the above items which are partial pay items)

Description must be sufficient to determine a Commercially Useful Function, specifically describe the work and subcontract dollar amount:

(4) Commitment

When a DBE is to be a second-tier subcontractor, or if the first-tier DBE subcontractor is going to be subcontracting a portion of its subcontract, it must be clearly indicated on the DBE Participation Statement, and the details of the transaction fully explained.

In the event a DBE subcontractor second-tiers a portion of its subcontract to one or more subcontractors during the work of a contract, the prime must submit a DBE Participation Statement, with the details of the transaction(s) fully explained.

The undersigned certify that the information included herein is true and correct, and that the DBE firm listed below has agreed to perform a commercially useful function in the work of the contract item(s) listed above and to execute a contract with the prime contractor or 1st Tier subcontractor. The undersigned further understand that no changes to this statement may be made without prior approval from the Department's Bureau of Small Business Enterprises and that complete and accurate information regarding actual work performed on this project and the payment therefore must be provided to the Department.

Signature for Contractor __ 1st Tier __ 2nd Tier

Signature for DBE Firm __ 1st Tier __ 2nd Tier

Title _____

Title _____

Date _____

Date _____

Contact Person _____

Contact Person _____

Phone _____

Phone _____

Firm Name _____

Firm Name _____

Address _____

Address _____

City/State/Zip _____

City/State/Zip _____

E _____

WC _____

The Department of Transportation is requesting disclosure of information that is necessary to accomplish the statutory purpose as outlined under the state and federal law. Disclosure of this information is **REQUIRED**. Failure to provide any information will result in the contract not being awarded. This form has been approved by the State Forms Management Center.

PROPOSAL ENVELOPE



PROPOSALS

for construction work advertised for bids by the
Illinois Department of Transportation

Item No.	Item No.	Item No.

Submitted By:

Name:
Address:
Phone No.

Bidders should use an IDOT proposal envelope or affix this form to the front of a 10" x 13" envelope for the submittal of bids. If proposals are mailed, they should be enclosed in a second or outer envelope addressed to:

Engineer of Design and Environment - Room 326
Illinois Department of Transportation
2300 South Dirksen Parkway
Springfield, Illinois 62764

NOTICE

Individual bids, including Bid Bond and/or supplemental information if required, should be securely stapled.

CONTRACTOR OFFICE COPY OF CONTRACT SPECIFICATIONS

NOTICE

None of the following material needs to be returned with the bid package unless the special provisions require documentation and/or other information to be submitted.

**Contract No. 64F85
WHITESIDE-CARROLL Counties
Section (7,8,9)RS-2
Routes FAP 646 & FAS 2187A
District 2 Construction Funds**



Illinois Department of Transportation

SUBCONTRACTOR DOCUMENTATION

Public Acts 96-0795, 96-0920, and 97-0895 enacted substantial changes to the provisions of the Code (30 ILCS 500). Among the changes are provisions affecting subcontractors. The Contractor awarded this contract will be required as a material condition of the contract to implement and enforce the contract requirements applicable to subcontractors that entered into a contractual agreement with a total value of \$50,000 or more with a person or entity who has a contract subject to the Code and approved in accordance with article 108.01 of the Standard Specifications for Road and Bridge Construction.

If the Contractor seeks approval of subcontractors to perform a portion of the work, and approval is granted by the Department, the Contractor shall provide a copy of the subcontract to the Illinois Department of Transportation's CPO upon request within 15 calendar days after execution of the subcontract.

Financial disclosures required pursuant to Sec. 50-35 of the Code must be submitted for all applicable subcontractors. The subcontract shall contain the certifications required to be made by subcontractors pursuant to Article 50 of the Code. This Notice to Bidders includes a document incorporating all required subcontractor certifications and disclosures for use by the Contractor in compliance with this mandate. The document is entitled State Required Ethical Standards Governing Subcontractors.

RETURN WITH SUBCONTRACT

STATE ETHICAL STANDARDS GOVERNING SUBCONTRACTORS

Article 50 of the Code establishes the duty of all State CPOs, SPOs, and their designees to maximize the value of the expenditure of public moneys in procuring goods, services, and contracts for the State of Illinois and to act in a manner that maintains the integrity and public trust of State government. In discharging this duty, they are charged by law to use all available information, reasonable efforts, and reasonable actions to protect, safeguard, and maintain the procurement process of the State of Illinois.

The certifications hereinafter made by the subcontractor are each a material representation of fact upon which reliance is placed should the Department approve the subcontractor. The CPO may terminate or void the contract approval if it is later determined that the bidder or subcontractor rendered a false or erroneous certification. If a false certification is made by a subcontractor the contractor's submitted bid and the executed contract may not be declared void unless the contractor refuses to terminate the subcontract upon the State's request after a finding that the subcontractor's certification was false.

Section 50-2 of the Code provides that every person that has entered into a multi-year contract and every subcontractor with a multi-year subcontract shall certify, by July 1 of each fiscal year covered by the contract after the initial fiscal year, to the responsible CPO whether it continues to satisfy the requirements of Article 50 pertaining to the eligibility for a contract award. If a contractor or subcontractor is not able to truthfully certify that it continues to meet all requirements, it shall provide with its certification a detailed explanation of the circumstances leading to the change in certification status. A contractor or subcontractor that makes a false statement material to any given certification required under Article 50 is, in addition to any other penalties or consequences prescribed by law, subject to liability under the Whistleblower Reward and Protection Act for submission of a false claim.

A. Bribery

Section 50-5. Bribery.

(a) Prohibition. No person or business shall be awarded a contract or subcontract under this Code who:

(1) has been convicted under the laws of Illinois or any other state of bribery or attempting to bribe an officer or employee of the State of Illinois or any other state in that officer's or employee's official capacity; or

(2) has made an admission of guilt of that conduct that is a matter of record but has not been prosecuted for that conduct.

(b) Businesses. No business shall be barred from contracting with any unit of State or local government, or subcontracting under such a contract, as a result of a conviction under this Section of any employee or agent of the business if the employee or agent is no longer employed by the business and:

(1) the business has been finally adjudicated not guilty; or

(2) the business demonstrates to the governmental entity with which it seeks to contract, or which is signatory to the contract to which the subcontract relates, and that entity finds that the commission of the offense was not authorized, requested, commanded, or performed by a director, officer, or high managerial agent on behalf of the business as provided in paragraph (2) of subsection (a) of Section 5-4 of the Criminal Code of 2012.

(c) Conduct on behalf of business. For purposes of this Section, when an official, agent, or employee of a business committed the bribery or attempted bribery on behalf of the business and in accordance with the direction or authorization of a responsible official of the business, the business shall be chargeable with the conduct.

(d) Certification. Every bid submitted to and contract executed by the State, and every subcontract subject to Section 20-120 of the Code shall contain a certification by the contractor or the subcontractor, respectively, that the contractor or subcontractor is not barred from being awarded a contract or subcontract under this Section and acknowledges that the CPO may declare the related contract void if any certifications required by this Section are false. A contractor who makes a false statement, material to the certification, commits a Class 3 felony.

The contractor or subcontractor certifies that it is not barred from being awarded a contract under Section 50.5.

B. Felons

Section 50-10. Felons.

Unless otherwise provided, no person or business convicted of a felony shall do business with the State of Illinois or any State agency, or enter into a subcontract, from the date of conviction until 5 years after the date of completion of the sentence for that felony, unless no person held responsible by a prosecutorial office for the facts upon which the conviction was based continues to have any involvement with the business.

Certification. Every bid submitted to and contract executed by the State and every subcontract subject to Section 20-120 of the Code shall contain a certification by the bidder or contractor or subcontractor, respectively, that the bidder, contractor, or subcontractor is not barred from being awarded a contract or subcontract under this Section and acknowledges that the CPO may declare the related contract void if any of the certifications required by this Section are false.

RETURN WITH SUBCONTRACT

C. Debt Delinquency

Section 50-11 and 50-12. Debt Delinquency.

The contractor or bidder or subcontractor, respectively, certifies that it, or any affiliate, is not barred from being awarded a contract or subcontract under the Code. Section 50-11 prohibits a person from entering into a contract with a State agency, or entering into a subcontract, if it knows or should know that it, or any affiliate, is delinquent in the payment of any debt to the State as defined by the Debt Collection Board. Section 50-12 prohibits a person from entering into a contract with a State agency, or entering into a subcontract, if it, or any affiliate, has failed to collect and remit Illinois Use Tax on all sales of tangible personal property into the State of Illinois in accordance with the provisions of the Illinois Use Tax Act. The bidder or contractor or subcontractor, respectively, further acknowledges that the CPO may declare the related contract void if this certification is false or if the bidder, contractor, or subcontractor, or any affiliate, is determined to be delinquent in the payment of any debt to the State during the term of the contract.

D. Prohibited Bidders, Contractors and Subcontractors

Section 50-10.5 and 50-60(c). Prohibited bidders, contractors and subcontractors.

The bidder or contractor or subcontractor, respectively, certifies in accordance with 30 ILCS 500/50-10.5 that no officer, director, partner or other managerial agent of the contracting business has been convicted of a felony under the Sarbanes-Oxley Act of 2002 or a Class 3 or Class 2 felony under the Illinois Securities Law of 1953 or if in violation of Subsection (c) for a period of five years from the date of conviction. Every bid submitted to and contract executed by the State and every subcontract subject to Section 20-120 of the Code shall contain a certification by the bidder, contractor, or subcontractor, respectively, that the bidder, contractor, or subcontractor is not barred from being awarded a contract or subcontract under this Section and acknowledges that the CPO shall declare the related contract void if any of the certifications completed pursuant to this Section are false.

E. Section 42 of the Environmental Protection Act

The bidder or contractor or subcontractor, respectively, certifies in accordance with 30 ILCS 500/50-14 that the bidder, contractor, or subcontractor, is not barred from being awarded a contract or entering into a subcontract under this Section which prohibits the bidding on or entering into contracts with the State of Illinois or a State agency, or entering into any subcontract, that is subject to the Code by a person or business found by a court or the Pollution Control Board to have committed a willful or knowing violation of Section 42 of the Environmental Protection Act for a period of five years from the date of the order. The bidder or contractor or subcontractor, respectively, acknowledges that the CPO may declare the contract void if this certification is false.

The undersigned, on behalf of the subcontracting company, has read and understands the above certifications and makes the certifications as required by law.

Name of Subcontracting Company

Authorized Officer

Date

RETURN WITH SUBCONTRACT
SUBCONTRACTOR DISCLOSURES

I. DISCLOSURES

- A.** The disclosures hereinafter made by the subcontractor are each a material representation of fact upon which reliance is placed. The subcontractor further certifies that the Department has received the disclosure forms for each subcontract.

The CPO may void the bid, contract, or subcontract, respectively, if it is later determined that the bidder or subcontractor rendered a false or erroneous disclosure. A contractor or subcontractor may be suspended or debarred for violations of the Code. Furthermore, the CPO may void the contract.

B. Financial Interests and Conflicts of Interest

1. Section 50-35 of the Code provides that all subcontracts with a total value of \$50,000 or more from subcontractors identified in Section 20-120 of the Code, shall be accompanied by disclosure of the financial interests of the subcontractor. This disclosed information for the subcontractor, will be maintained as public information subject to release by request pursuant to the Freedom of Information Act, filed with the Procurement Policy Board, and shall be incorporated as a material term of the Prime Contractor's contract. Furthermore, pursuant to this Section, the Procurement Policy Board may recommend to allow or void a contract or subcontract based on a potential conflict of interest.

The financial interests to be disclosed shall include ownership or distributive income share that is in excess of 5%, or an amount greater than 60% of the annual salary of the Governor, of the subcontracting entity or its parent entity, whichever is less, unless the subcontractor is a publicly traded entity subject to Federal 10K reporting, in which case it may submit its 10K disclosure in place of the prescribed disclosure. If a subcontractor is a privately held entity that is exempt from Federal 10K reporting, but has more than 200 shareholders, it may submit the information that Federal 10K companies are required to report, and list the names of any person or entity holding any ownership share that is in excess of 5%. The disclosure shall include the names, addresses, and dollar or proportionate share of ownership of each person making the disclosure, their instrument of ownership or beneficial relationship, and notice of any potential conflict of interest resulting from the current ownership or beneficial interest of each person making the disclosure having any of the relationships identified in Section 50-35 and on the disclosure form.

The current annual salary of the Governor is \$177,412.00.

In addition, all disclosures shall indicate any other current or pending contracts, subcontracts, proposals, leases, or other ongoing procurement relationships the subcontracting entity has with any other unit of state government and shall clearly identify the unit and the contract, subcontract, proposal, lease, or other relationship.

2. Disclosure Forms. Disclosure Form A is attached for use concerning the individuals meeting the above ownership or distributive share requirements. A separate Disclosure Form A must be submitted with the bid for each individual meeting the above requirements. In addition, a second form (Disclosure Form B) provides for the disclosure of current or pending procurement relationships with other (non-IDOT) state agencies and a total ownership certification. **The forms must be included with each bid.**

C. Disclosure Form Instructions

Form A Instructions for Financial Information & Potential Conflicts of Interest

If the subcontractor is a publicly traded entity subject to Federal 10K reporting, the 10K Report may be submitted to meet the requirements of Form A. If a subcontractor is a privately held entity that is exempt from Federal 10K reporting, but has more than 200 shareholders, it may submit the information that Federal 10K companies are required to report, and list the names of any person or entity holding any ownership share that is in excess of 5%. If a subcontractor is not subject to Federal 10K reporting, the subcontractor must determine if any individuals are required by law to complete a financial disclosure form. To do this, the subcontractor should answer each of the following questions. A "YES" answer indicates Form A must be completed. If the answer to each of the following questions is "NO", then the **NOT APPLICABLE STATEMENT** on the second page of Form A must be signed and dated by a person that is authorized to execute contracts for the subcontracting company. Note: These questions are for assistance only and are not required to be completed.

1. Does anyone in your organization have a direct or beneficial ownership share of greater than 5% of the bidding entity or parent entity? YES ___ NO ___
2. Does anyone in your organization have a direct or beneficial ownership share of less than 5%, but which has a value greater than 60% of the annual salary of the Governor? YES ___ NO ___
3. Does anyone in your organization receive more than 60% of the annual salary of the Governor of the subcontracting entity's or parent entity's distributive income? YES ___ NO ___

(Note: Distributive income is, for these purposes, any type of distribution of profits. An annual salary is not distributive income.)

4. Does anyone in your organization receive greater than 5% of the subcontracting entity's or parent entity's total distributive income, but which is less than 60% of the annual salary of the Governor? YES ___ NO ___

(Note: Only one set of forms needs to be completed per person per subcontract even if a specific individual would require a yes answer to more than one question.)

A "YES" answer to any of these questions requires the completion of Form A. The subcontractor must determine each individual in the subcontracting entity or the subcontracting entity's parent company that would cause the questions to be answered "Yes". Each form must be signed and dated by a person that is authorized to execute contracts for your organization. **Photocopied or stamped signatures are not acceptable.** The person signing can be, but does not have to be, the person for which the form is being completed. The subcontractor is responsible for the accuracy of any information provided.

If the answer to each of the above questions is "NO", then the **NOT APPLICABLE STATEMENT** on page 2 of Form A must be signed and dated by a person that is authorized to execute contracts for your company.

RETURN WITH SUBCONTRACT

Form B: Instructions for Identifying Other Contracts & Procurement Related Information

Disclosure Form B must be completed for each subcontract submitted by the subcontracting entity. *Note: Checking the NOT APPLICABLE STATEMENT on Form A does not allow the subcontractor to ignore Form B. Form B must be completed, checked, and dated or the subcontract will not be approved.*

The Subcontractor shall identify, by checking Yes or No on Form B, whether it has any pending contracts, subcontracts, leases, bids, proposals, or other ongoing procurement relationship with any other (non-IDOT) State of Illinois agency. If "No" is checked, the subcontractor only needs to complete the check box on the bottom of Form B. If "Yes" is checked, the subcontractor must list all non-IDOT State of Illinois agency pending contracts, subcontracts, leases, bids, proposals, and other ongoing procurement relationships. These items may be listed on Form B or on an attached sheet(s). Contracts with cities, counties, villages, etc. are not considered State of Illinois agency contracts and are not to be included. Contracts or subcontracts with other State of Illinois agencies such as the Department of Natural Resources or the Capital Development Board must be included.

ILLINOIS DEPARTMENT OF TRANSPORTATION

Form A Subcontractor: Financial Information & Potential Conflicts of Interest Disclosure

Subcontractor Name, Legal Address, City, State, Zip, Telephone Number, Email Address, Fax Number (if available)

Disclosure of the information contained in this Form is required by the Section 50-35 of the Code (30 ILCS 500). Subcontractors desiring to enter into a subcontract of a State of Illinois contract must disclose the financial information and potential conflict of interest information as specified in this Disclosure Form.

The current annual salary of the Governor is \$177,412.00.

DISCLOSURE OF FINANCIAL INFORMATION

1. Disclosure of Financial Information. The individual named below has an interest in the SUBCONTRACTOR (or its parent) in terms of ownership or distributive income share in excess of 5%, or an interest which has a value of more than 60% of the annual salary of the Governor.

FOR INDIVIDUAL (type or print information) NAME: ADDRESS Type of ownership/distributable income share: stock sole proprietorship Partnership other: (explain on separate sheet): % or \$ value of ownership/distributable income share:

2. Disclosure of Potential Conflicts of Interest. Check "Yes" or "No" to indicate which, if any, of the following potential conflict of interest relationships apply. If the answer to any question is "Yes", please attach additional pages and describe.

(a) State employment, currently or in the previous 3 years, including contractual employment of services. Yes ___ No ___

If your answer is yes, please answer each of the following questions.

1. Are you currently an officer or employee of either the Capitol Development Board or the Illinois State Toll Highway Authority? Yes ___ No ___

2. Are you currently appointed to or employed by any agency of the State of Illinois? If you are currently appointed to or employed by any agency of the State of Illinois, and your annual salary exceeds 60% of the annual salary of the Governor, provide the name the State agency for which you are employed and your annual salary.

RETURN WITH SUBCONTRACT

3. If you are currently appointed to or employed by any agency of the State of Illinois, and your annual salary exceeds 60% of the annual salary of the Governor, are you entitled to receive (i) more than 7 1/2% of the total distributable income of your firm, partnership, association or corporation, or (ii) an amount in excess of 100% of the annual salary of the Governor?
Yes ___ No ___

4. If you are currently appointed to or employed by any agency of the State of Illinois, and your annual salary exceeds 60% of the annual salary of the Governor, are you and your spouse or minor children entitled to receive (i) more than 15 % in the aggregate of the total distributable income of your firm, partnership, association or corporation, or (ii) an amount in excess of two times the salary of the Governor?
Yes ___ No ___

(b) State employment of spouse, father, mother, son, or daughter, including contractual employment services in the previous 2 years.

Yes ___ No ___

If your answer is yes, please answer each of the following questions.

1. Is your spouse or any minor children currently an officer or employee of the Capitol Development Board or the Illinois Toll Highway Authority?
Yes ___ No ___

2. Is your spouse or any minor children currently appointed to or employed by any agency of the State of Illinois? If your spouse or minor children is/are currently appointed to or employed by any agency of the State of Illinois, and his/her annual salary exceeds 60% of the annual salary of the Governor, provide the name of your spouse and/or minor children, the name of the State agency for which he/she is employed and his/her annual salary. _____

3. If your spouse or any minor children is/are currently appointed to or employed by any agency of the State of Illinois, and his/her annual salary exceeds 60% of the annual salary of the Governor, as of 7/1/07) are you entitled to receive (i) more then 7 1/2% of the total distributable income of your firm, partnership, association or corporation, or (ii) an amount in excess of 100% of the annual salary of the Governor?
Yes ___ No ___

4. If your spouse or any minor children are currently appointed to or employed by any agency of the State of Illinois, and his/her annual salary exceeds 60% of the annual salary of the Governor, are you and your spouse or minor children entitled to receive (i) more than 15 % in the aggregate of the total distributable income of your firm, partnership, association or corporation, or (ii) an amount in excess of two times the annual salary of the Governor?
Yes ___ No ___

(c) Elective status; the holding of elective office of the State of Illinois, the government of the United States, any unit of local government authorized by the Constitution of the State of Illinois or the statutes of the State of Illinois currently or in the previous 3 years.
Yes ___ No ___

(d) Relationship to anyone holding elective office currently or in the previous 2 years; spouse, father, mother, son, or daughter.
Yes ___ No ___

(e) Appointive office; the holding of any appointive government office of the State of Illinois, the United States of America, or any unit of local government authorized by the Constitution of the State of Illinois or the statutes of the State of Illinois, which office entitles the holder to compensation in excess of the expenses incurred in the discharge of that office currently or in the previous 3 years.
Yes ___ No ___

(f) Relationship to anyone holding appointive office currently or in the previous 2 years; spouse, father, mother, son, or daughter.
Yes ___ No ___

(g) Employment, currently or in the previous 3 years, as or by any registered lobbyist of the State government.
Yes ___ No ___

RETURN WITH SUBCONTRACT

(h) Relationship to anyone who is or was a registered lobbyist in the previous 2 years; spouse, father, mother, son, or daughter. Yes ___ No ___

(i) Compensated employment, currently or in the previous 3 years, by any registered election or reelection committee registered with the Secretary of State or any county clerk of the State of Illinois, or any political action committee registered with either the Secretary of State or the Federal Board of Elections. Yes ___ No ___

(j) Relationship to anyone; spouse, father, mother, son, or daughter; who was a compensated employee in the last 2 years by any registered election or re-election committee registered with the Secretary of State or any county clerk of the State of Illinois, or any political action committee registered with either the Secretary of State or the Federal Board of Elections. Yes ___ No ___

3 Communication Disclosure.

Disclose the name and address of each lobbyist and other agent of the bidder or offeror who is not identified in Section 2 of this form, who is has communicated, is communicating, or may communicate with any State officer or employee concerning the bid or offer. This disclosure is a continuing obligation and must be promptly supplemented for accuracy throughout the process and throughout the term of the contract. If no person is identified, enter "None" on the line below:

Name and address of person(s): _____

RETURN WITH SUBCONTRACT

4. Debarment Disclosure. For each of the persons identified under Sections 2 and 3 of this form, disclose whether any of the following has occurred within the previous 10 years: debarment from contracting with any governmental entity; professional licensure discipline; bankruptcies; adverse civil judgments and administrative findings; and criminal felony convictions. This disclosure is a continuing obligation and must be promptly supplemented for accuracy throughout the procurement process and term of the contract. If no person is identified, enter "None" on the line below:

Name of person(s): _____

Nature of disclosure: _____

APPLICABLE STATEMENT

This Disclosure Form A is submitted on behalf of the INDIVIDUAL named on previous page. Under penalty of perjury, I certify the contents of this disclosure to be true and accurate to the best of my knowledge.

Completed by: _____ Date _____
Signature of Individual or Authorized Officer

NOT APPLICABLE STATEMENT

Under penalty of perjury, I have determined that no individuals associated with this organization meet the criteria that would require the completion of this Form A.

This Disclosure Form A is submitted on behalf of the SUBCONTRACTOR listed on the previous page.

_____ Date _____
Signature of Authorized Officer

RETURN WITH SUBCONTRACT

ILLINOIS DEPARTMENT OF TRANSPORTATION

Form B
Subcontractor: Other Contracts & Financial Related Information Disclosure

Form with fields: Subcontractor Name, Legal Address, City, State, Zip, Telephone Number, Email Address, Fax Number (if available)

Disclosure of the information contained in this Form is required by the Section 50-35 of the Code (30 ILCS 500). This information shall become part of the publicly available contract file.

DISCLOSURE OF OTHER CONTRACTS, SUBCONTRACTS, AND PROCUREMENT RELATED INFORMATION

1. Identifying Other Contracts & Procurement Related Information. The SUBCONTRACTOR shall identify whether it has any pending contracts, subcontracts, including leases, bids, proposals, or other ongoing procurement relationship with any other State of Illinois agency: Yes ___ No ___

If "No" is checked, the subcontractor only needs to complete the signature box on the bottom of this page.

2. If "Yes" is checked. Identify each such relationship by showing State of Illinois agency name and other descriptive information such as bid or project number (attach additional pages as necessary). SEE DISCLOSURE FORM INSTRUCTIONS:

THE FOLLOWING STATEMENT MUST BE CHECKED

Signature box with fields: Signature of Authorized Representative, Date

OWNERSHIP CERTIFICATION

Please certify that the following statement is true if the individuals for all submitted Form A disclosures do not total 100% of ownership

Any remaining ownership interest is held by individuals receiving less than \$106,447.20 of the bidding entity's or parent entity's distributive income or holding less than a 5% ownership interest.

Yes No N/A (Form A disclosure(s) established 100% ownership)



NOTICE TO BIDDERS

1. TIME AND PLACE OF OPENING BIDS. Sealed proposals for the improvement described herein will be received by the Department of Transportation. Electronic bids are to be submitted to the electronic bidding system (icx-Integrated Contractors Exchange). Paper-based bids are to be submitted to the Chief Procurement Officer for the Department of Transportation in care of the Chief Contracts Official at the Harry R. Hanley Building, 2300 South Dirksen Parkway, in Springfield, Illinois until 10:00 o'clock a.m. August 1, 2014. All bids will be gathered, sorted, publicly opened and read in the auditorium at the Department of Transportation's Harry R. Hanley Building shortly after the 10:00 a.m. cut off time.

2. DESCRIPTION OF WORK. The proposed improvement is identified and advertised for bids in the Invitation for Bids as:

**Contract No. 64F85
WHITESIDE-CARROLL Counties
Section (7,8,9)RS-2
Routes FAP 646 & FAS 2187A
District 2 Construction Funds**

Resurfacing on IL 40 beginning at Adams St. in Milledgeville, continuing to 0.1 mile north of Lynn Blvd. in Sterling.

3. INSTRUCTIONS TO BIDDERS. (a) This Notice, the invitation for bids, proposal and letter of award shall, together with all other documents in accordance with Article 101.09 of the Standard Specifications for Road and Bridge Construction, become part of the contract. Bidders are cautioned to read and examine carefully all documents, to make all required inspections, and to inquire or seek explanation of the same prior to submission of a bid.

(b) State law, and, if the work is to be paid wholly or in part with Federal-aid funds, Federal law requires the bidder to make various certifications as a part of the proposal and contract. By execution and submission of the proposal, the bidder makes the certification contained therein. A false or fraudulent certification shall, in addition to all other remedies provided by law, be a breach of contract and may result in termination of the contract.

4. AWARD CRITERIA AND REJECTION OF BIDS. This contract will be awarded to the lowest responsive and responsible bidder considering conformity with the terms and conditions established by the Department in the rules, Invitation for Bids and contract documents. The issuance of plans and proposal forms for bidding based upon a prequalification rating shall not be the sole determinant of responsibility. The Department reserves the right to determine responsibility at the time of award, to reject any or all proposals, to readvertise the proposed improvement, and to waive technicalities.

By Order of the
Illinois Department of Transportation

Ann L. Schneider,
Secretary

INDEX
FOR
SUPPLEMENTAL SPECIFICATIONS
AND RECURRING SPECIAL PROVISIONS

Adopted January 1, 2014

This index contains a listing of SUPPLEMENTAL SPECIFICATIONS, frequently used RECURRING SPECIAL PROVISIONS, and LOCAL ROADS AND STREETS RECURRING SPECIAL PROVISIONS.

ERRATA Standard Specifications for Road and Bridge Construction (Adopted 1-1-12) (Revised 1-1-14)

SUPPLEMENTAL SPECIFICATIONS

<u>Std. Spec. Sec.</u>	<u>Page No.</u>
101 Definition of Terms	1
102 Advertisement, Bidding, Award, and Contract Execution	2
105 Control of Work	3
106 Control of Materials	5
107 Legal Regulations and Responsibility to Public	6
108 Prosecution and Progress	14
109 Measurement and Payment	15
202 Earth and Rock Excavation	17
211 Topsoil and Compost	18
253 Planting Woody Plants	19
280 Temporary Erosion and Sediment Control	21
312 Stabilized Subbase	22
406 Hot-Mix Asphalt Binder and Surface Course	23
407 Hot-Mix Asphalt Pavement (Full-Depth)	26
420 Portland Cement Concrete Pavement	30
424 Portland Cement Concrete Sidewalk	32
440 Removal of Existing Pavement and Appurtenances	33
503 Concrete Structures	34
504 Precast Concrete Structures	37
506 Cleaning and Painting New Steel Structures	38
512 Piling	39
516 Drilled Shafts	40
521 Bearings	41
540 Box Culverts	42
588 Bridge Relief Joint System	43
589 Elastic Joint Sealer	45
602 Catch Basin, Manhole, Inlet, Drainage Structure, and Valve Vault Construction, Adjustment, and Reconstruction	46
603 Adjusting Frames and Grates of Drainage and Utility Structures	47
606 Concrete Gutter, Curb, Median, and Paved Ditch	49
610 Shoulder Inlets with Curb	50
639 Precast Prestressed Concrete Sight Screen	51
642 Shoulder Rumble Strips	52
643 Impact Attenuators	53
644 High Tension Cable Median Barrier	55
701 Work Zone Traffic Control and Protection	57
706 Impact Attenuators, Temporary	60
707 Movable Traffic Barrier	63
708 Temporary Water Filled Barrier	65
730 Wood Sign Support	67
780 Pavement Striping	68
860 Master Controller	73
1001 Cement	74
1003 Fine Aggregates	75
1004 Coarse Aggregates	77
1006 Metals	81
1011 Mineral Filler	83
1017 Packaged, Dry, Combined Materials for Mortar	84
1018 Packaged Rapid Hardening Mortar or Concrete	85
1019 Controlled Low-Strength Material	86

1020	Portland Cement Concrete	87
1024	Grout and Nonshrink Grout	126
1030	Hot-Mix Asphalt	127
1040	Drain Pipe, Tile, Drainage Mat, and Wall Drain	132
1042	Precast Concrete Products	133
1070	Foundation and Breakaway Devices	134
1073	Controller	135
1081	Materials for Planting	136
1082	Preformed Bearing Pads	137
1083	Elastomeric Bearings	138
1095	Pavement Markings	139
1101	General Equipment	142
1102	Hot-Mix Asphalt Equipment	144
1105	Pavement Marking Equipment	146
1106	Work Zone Traffic Control Devices	147

RECURRING SPECIAL PROVISIONS

The following RECURRING SPECIAL PROVISIONS indicated by an "X" are applicable to this contract and are included by reference:

<u>CHECK SHEET #</u>	<u>PAGE NO.</u>
1	149
2	152
3 X	153
4 X	163
5 X	168
6	173
7	174
8	175
9	176
10	179
11	182
12	184
13	188
14	190
15	191
16	193
17	194
18	196
19	197
20 X	198
21	202
22	204
23	206
24	208
25	209
26	210
27	211
28	212
29	213
30	216
31 X	224
32 X	240
33	242
34	243
35	249
36	264
37	275
38	285
39	286

TABLE OF CONTENTS

LOCATION OF PROJECT	1
DESCRIPTION OF PROJECT	1
TRAFFIC CONTROL PLAN	1
MILLING RESTRICTIONS	5
FURNISHED EXCAVATION	5
GUARDRAIL REMOVAL	5
GEOTECHNICAL REINFORCEMENT	5
ADJUSTED PLAN QUANTITY FOR SURFACE COURSE MIXTURES	7
HOT-MIX ASPHALT FOR SURFACE COURSE, LEVEL BINDER AND BINDER	8
HOT-MIX ASPHALT SURFACE COURSE, CUT OFF DATE	8
ENGINEER'S FIELD OFFICE TYPE A	8
HOT-MIX ASPHALT MIXTURE IL-9.5FG (BMPR)	8
TRAFFIC CONTROL SURVEILLANCE	12
HOT MIX ASPHALT QUALITY CONTROL FOR PERFORMANCE (BMPR)	12
VERTICAL ADJUSTMENT OF GUARDRAIL	16
EXCAVATION FOR AGGREGATE SUBGRADE IMPROVEMENT	17
HOT-MIX ASPHALT – PRIME COAT (BMPR)	17
LEGAL REGULATIONS AND RESPONSIBILITY TO PUBLIC	20
MATERIAL TRANSFER DEVICE (BDE)	21
AGGREGATE SUBGRADE IMPROVEMENT (BDE)	23
AUTOMATED FLAGGER ASSISTANCE DEVICES (BDE)	25
CONCRETE MIX DESIGN – DEPARTMENT PROVIDED (BDE)	26
CONTRACT CLAIMS (BDE)	26
DISADVANTAGED BUSINESS ENTERPRISE PARTICIPATION (BDE)	27
FRICTION AGGREGATE (BDE)	37
GRANULAR MATERIALS (BDE)	39
HOT-MIX ASPHALT – MIXTURE DESIGN COMPOSITION AND VOLUMETRIC REQUIREMENTS (BDE)	40
HOT-MIX ASPHALT – MIXTURE DESIGN VERIFICATION AND PRODUCTION (BDE)	43
PAVEMENT PATCHING (BDE)	46
PAYROLLS AND PAYROLL RECORDS (BDE)	46
PORTLAND CEMENT CONCRETE EQUIPMENT (BDE)	48
PROGRESS PAYMENTS (BDE)	48

QUALITY CONTROL/QUALITY ASSURANCE OF CONCRETE MIXTURES (BDE)..... 49
RECLAIMED ASPHALT PAVEMENT AND RECLAIMED ASPHALT SHINGLES (BDE)..... 49
REINFORCEMENT BARS (BDE) 60
REMOVAL AND DISPOSAL OF REGULATED SUBSTANCES (BDE)..... 61
REMOVAL AND DISPOSAL OF SURPLUS MATERIALS (BDE)..... 65
TRACKING THE USE OF PESTICIDES (BDE)..... 66
WARM MIX ASPHALT (BDE) 66
WEEKLY DBE TRUCKING REPORTS (BDE)..... 70
WET REFLECTIVE THERMOPLASTIC PAVEMENT MARKING (BDE) 70
WORKING DAYS (BDE)..... 71
BITUMINOUS MATERIALS COST ADJUSTMENTS (BDE) (RETURN FORM WITH BID)..... 71
FUEL COST ADJUSTMENT (BDE) (RETURN FORM WITH BID)..... 74
STEEL COST ADJUSTMENT (BDE) (RETURN FORM WITH BID)..... 78
PROJECT LABOR AGREEMENT - QUARTERLY EMPLOYMENT REPORT 82
PROJECT LABOR AGREEMENT 83

STATE OF ILLINOIS

SPECIAL PROVISIONS

The following Special Provisions supplement the "Standard Specifications for Road and Bridge Construction, Adopted January 1, 2012", the latest edition of the "Manual on Uniform Traffic Control Devices for Streets and Highways", and the "Manual of Test Procedures for Materials" in effect on the date of invitation for bids, and the "Supplemental Specifications and Recurring Special Provisions" indicated on the Check Sheet included herein, which apply to and govern the construction of FAP Route 646 & FAS Route 2187A (IL 40 & Pilgrim Rd.), Section (7, 8, 9)RS-2, Whiteside & Carroll Counties, Contract 64F85, and in case of conflict with any part, or parts, of said Specifications, the said Special Provisions shall take precedence and shall govern.

LOCATION OF PROJECT

On IL 40 from Adams Street in Milledgeville to 0.1 mile north of Lynn Boulevard in Sterling.

DESCRIPTION OF PROJECT

Hot-Mix Asphalt resurfacing with some intermittent cold milling.

TRAFFIC CONTROL PLAN

Effective January 14, 1999

Traffic Control shall be according to the applicable sections of the Standard Specifications for Road and Bridge Construction, the applicable guidelines contained in the National Manual on Uniform Traffic Control Devices for Streets and Highways, Illinois Supplement to the National Manual on Uniform Traffic Control Devices, these special provisions, and any special details and Highway Standards contained herein and in the plans.

Special attention is called to Articles 107.09 and 107.14 of the Standard Specifications for Road and Bridge Construction and the following Highway Standards relating to traffic control.

Standards:

Standards:

701001	701006	701011	701201	701301	701306
701311	701326	701501	701701	701901	

Signs:

No bracing shall be allowed on post-mounted signs.

Post-mounted signs shall be installed using standard 720011, 728001, 729001, on 4"x4" wood posts, or on any other "break away" connection if accepted by the FHWA and corresponding letter is provided to the resident.

All signs are required on both sides of the road when the median is greater than 10 feet and on one way roadways.

The "WORKERS" (W21-1a(O)-48) signs shall be replaced with symbol "Right or Left Lane Closed Ahead" (W4-2R or L(O)-48) signs on multilane roadways.

"BUMP" (W8-1(O)48) signs shall be installed as directed by the Engineer.

"UNEVEN LANES" W8-11(O)48 signs shall be installed at 1 mile intervals or as directed by the Engineer.

"LOW SHOULDER" W8-9(O)48 signs shall be installed at 1 mile intervals or as directed by the Engineer.

When covering existing Department signs, no tape shall be used on the reflective portion of the sign. Contact the District sign shop for covering techniques.

All regulatory signs shall be maintained at a 5 foot minimum bottom (rural), 7 foot minimum (urban).

Plate altering signs shall have the same sheeting as the base sign.

No more than one (1) plate shall be used to alter a sign.

Any post stubs without a sign in place and visible shall have a reflector placed on each post.

Devices:

Cones or reflectorized cones shall not be used during hours of darkness.

A minimum of 3 drums spaced at 4 feet shall be placed at each return when the sideroad is open.

On all standards, and the devices listed in Section 701 of the Standard Specifications, the device spacing shall be revised to the following dimensions:

- Where the spacing shown on the standard is 25 feet, the devices shall be placed at 20 feet.
- Where the spacing shown on the standard is 50 feet, the devices shall be placed at 40 feet.
- Where the spacing shown on the standard is 100 feet, the devices shall be placed at 80 feet.

Flaggers:

Flagger at Sideroads and Commercial Entrances:

Effective: August 1, 2011

Flaggers shall comply with all requirements contained in the Department's "Flagger Handbook" dated September 2011. The flagger equipment listed for flaggers employed by the Illinois Department of Transportation shall apply to all flaggers.

All workers and flaggers shall wear ANSI Class E pants and an ANSI Class 2 vest that in combination meet the requirements of ANSI/ISEA 107-2004 for Conspicuity Class 3 garments during hours of darkness.

In addition to the flaggers shown on applicable standards, on major sideroads flaggers shall be required on all legs of the intersection. Major sideroads for this project shall be Wahl Rd., Science Ridge Rd., Fulfs Rd., and Pilgrim Rd.

In addition to the flaggers shown on applicable standards, a flagger shall be required on high volume commercial entrances listed below. High volume commercial entrances for this project shall be Red Apple, Wahl, Candlelight and Ford dealership entrances.

When the mainline flagger is within 200 feet of an intersection, the sideroad flagger shall be required.

When the road is closed to through traffic and it is necessary to provide access for local traffic, all flaggers as shown on the applicable standards will be required. No reduction in the number of flaggers shall be allowed.

Revise the first and second paragraph of Article 701.20(i) of the Standard Specifications to read:

"Signs, barricades, or other traffic control devices required by the Engineer, over and above those shown on the standard or detailed in the plans and provisions, will be paid for according to Article 109.04. All flaggers required at sideroads and commercial entrances remaining open to traffic not shown on the Highway Standards, required by article 701.13(a) or listed above, shall be paid for according to Article 109.04."

Pavement Marking:

All temporary pavement markings that will be operational during the winter months (December through March) shall be paint.

Short term pavement markings on a milled surface shall be paint.

Temporary pavement markings shall not be included in the cost of the standard rather it shall be paid for separately at the contract unit prices of specified temporary pavement marking items.

Pilot Car: During the bituminous priming operation, the Contractor shall be required to provide a pilot car to lead the traffic through the areas primed.

The pilot car shall be a pickup truck, carrying the Contractor's company insignia, equipped with "PILOT CAR - FOLLOW ME" (G-20-4(0)) signs. Two signs shall be mounted on the vehicle so as to be clearly visible from both directions. The bottom of the sign shall be mounted at least 1 foot above the top of the cab. The pilot car shall be equipped with a two-way radio so normal communication with the flagger at each end of the work area can be maintained.

The pilot car shall be paid for by the day. If the pilot car is used less than four hours, the operation will be counted as a half day.

This work will be paid for at the contract unit price per Day for PILOT CAR for each car required by the Engineer.

Maintenance of Traffic: The mainline shall be kept open to one-way traffic at all times during working hours and two-way traffic during non-working hours.

The Contractor shall be required to notify the Whiteside & Carroll County Highway Department, the corresponding Township Commissioner, emergency response agencies (i.e.: fire, ambulance, police), school bus companies and the Department of Transportation (Bureau of Project Implementation) regarding any changes in traffic control.

The Contractor shall be required to notify the Whiteside & Carroll County Highway Department and/or corresponding Township Commissioner for any sideroad closure or opening.

Guardrail work shall be completed using Traffic Control and Protection Standard 701006 and Article 701.17(f).

The pavement patch removal and replacement shall be completed using Traffic Control and Protection Standard 701201.

The sawing of patches, resurfacing and placing of shoulder aggregate shall be completed using Traffic Control and Protection Standard 701306.

Placing and removing pavement marking shall be completed using Traffic Control and Protection Standard 701306, 701311 or 701701.

Milled pavement shall be resurfaced within 10 calendar days.

All pavement areas resurfaced with leveling binder shall be covered with surface mix before winter shut-down.

MILLING RESTRICTIONS

Milling operations shall be performed such that a vertical milled face no greater than 1½ inches exists between adjacent open lanes of traffic at any time. This may be accomplished by the following treatment methods: Make multiple passes with the mill, each one less the 1½ inches; place a temporary wedge or have milled sloped edge with a minimum 1:3 slope; or mill all lanes in a given area so that no difference in elevation exists when all adjacent lanes are opened to traffic. Other methods may be used if approved by the Engineer prior to implementing the procedure.

This work shall be included in the cost of HMA Surface Removal, at the thickness specified.

FURNISHED EXCAVATION

Effective: July 1, 1994 Revised: October 28, 2010

The Furnished Excavation shall be measured by the truck load method. Prior to the start of work the Contractor and the Engineer shall agree to standard volume for the trucks utilized by the Contractor.

Suitable excavated materials from the project shall not be wasted without permission of the Engineer. Embankment and mechanical compaction will not be measured for payment.

This work shall be paid for at the contract unit price per Cubic Yard for FURNISHED EXCAVATION.

GUARDRAIL REMOVAL

Effective: August 20, 1990

Revised: August 26, 1997

This work shall be done in accordance with Section 632 of the Standard Specifications except that all removed guardrail will become the property of the Contractor.

This work will be paid for at the contract unit price per Foot for GUARDRAIL REMOVAL, measured from center-to-center of end post.

GEOTECHNICAL REINFORCEMENT

Effective: November 30, 2010

Biaxial Geogrid Flat Installation

This work consists of furnishing and installing an integrally-formed polypropylene geotechnical grid reinforcement material. The geogrid shall have an aperture, rib and junction cross section sufficient to permit significant mechanical interlock with the material being reinforced. There shall be a high continuity of tensile strength through all ribs and junctions of the grid material to reinforce the subbase or subgrade as shown on the plans and specifications.

MATERIAL CHARACTERISTICS	TEST METHOD	DATA
polymer type		polypropylene
carbon black content	ASTM D 4218	0.50% (min.)

DIMENSIONAL CHARACTERISTICS	TEST METHOD	UNIT	DATA
open area	CW 02215	%	75 (max.)
unit weight	ASTM D 5261	oz/yd ²	5.0 (min.)

TECHNICAL CHARACTERISTICS	TEST METHOD	UNIT	DATA
junction efficiency	GRI-GG2	%	90 (min.)

The supplier should provide a certification that their product meets the above requirements.

The geotechnical reinforcement shall be placed as described herein or as shown on the cross sections.

Geogrid shall be delivered to the jobsite in such a manner as to facilitate handling and incorporation into the work without damage. Material shall be stored in such a manner as to prevent exposure to direct sunlight and damage by other construction activities.

Prior to the installation of the geogrid, the application surface shall be cleared of debris, sharp objects and trees. Tree stumps shall be cut to the level of the ground surface. If the stumps cannot be cut to the ground level, they shall be completely removed. In the case of subgrades, all wheel tracks or ruts in excess of 3 inches in depth shall be graded smooth or otherwise filled with soil to provide a reasonably smooth surface.

The geotechnical reinforcement shall be placed with the “roll length” parallel to the pavement. Fabric of insufficient width or length to fully cover the specified area shall be lapped a minimum of 24 inches. The geogrid should be secured in place.

Installation:

The granular blanket shall be constructed to the width and depth required on the plans. Unless otherwise specified, the material shall be back-dumped on the Geogrid in a sequence of operations beginning at the outer edges of the treatment area with subsequent placement towards the middle.

Placement of material on the Geogrid shall be accomplished by spreading dumped material off of previously placed material with a bulldozer blade or endloader, in such a manner as to prevent tearing or shoving of the Geogrid. Dumping of material directly on the Geogrid will only be permitted to establish an initial working platform. No construction equipment shall be allowed on the Geogrid prior to placement of the granular blanket. If the geogrid develops wrinkles or moves significantly, an alternative method of securing it shall be used.

Unless otherwise specified in the plans or Special Provisions, the granular material, shall be placed to the full required thickness and compacted to the satisfaction of the Engineer.

Geogrid which is damaged during installation or subsequent placement of granular material, due to failure of the Contractor to comply with these provisions, shall be repaired or replaced at his expense, including costs of removal and replacement of the granular material.

Torn Geogrid may be patched in-place by cutting and placing a piece of the same Geogrid over the tear. The dimensions of the patch shall be at least 2 feet larger than the largest dimension of the tear and it shall be weighted or otherwise secured to prevent the granular material from causing lap separation.

Method of Measurement: Geotechnical Reinforcement will be measured in square yards for the surface area placed. The excavation, replacement and compaction of the granular layer shall be paid for separately.

Basis of Payment: This work will be measured in place and the area computed in square yards. The work will be paid for at the contract unit price per Square Yard for GEOTECHNICAL REINFORCEMENT.

ADJUSTED PLAN QUANTITY FOR SURFACE COURSE MIXTURES

Effective: June 15, 2010

The maximum allowed average bulk specific gravity for the approved mix design (Gmb) for mixes used as surface will be:

2.460 for Mixture C

2.470 for Mixture D

2.610 for Mixture E

2.710 for Mixture F

The maximum allowed average bulk specific gravity for the approved mix design (Gmb) for all other uses will be:

2.470

HOT-MIX ASPHALT FOR SURFACE COURSE, LEVEL BINDER AND BINDER

Effective: January 1, 2013

The maximum allowed average bulk specific gravity for the approved mix design (Gmb) for mixes used as surface will be:

2.460 for Mixture C

2.470 for Mixture D

2.610 for Mixture E

2.710 for Mixture F

The maximum allowed average bulk specific gravity for the approved mix design (Gmb) for all other uses will be:

2.470

HOT-MIX ASPHALT SURFACE COURSE, CUT OFF DATE

Effective: December 8, 1998

Revised: October 17, 2007

Placement of Hot-Mix Asphalt Surface Course will not be permitted after October 15 unless approved, in writing, by the Resident Engineer.

ENGINEER'S FIELD OFFICE TYPE A

Effective: January 1, 2012

Engineer's Field Office Type A shall be in accordance with Article 670.02 of the Standard Specifications:

Add (s) to the end of 670.02

(s) Cellular phone with a minimum of 500 anytime minutes per month for use by the site resident engineer/technician.

HOT-MIX ASPHALT MIXTURE IL-9.5FG (BMPR)

Effective: July 1, 2005

Revised: December 28, 2010

Description. This work shall consist of constructing fine graded hot-mix asphalt (HMA) surface course or leveling binder with an IL-9.5FG mixture. Work shall be according to Sections 406, 407 and 1030 of the Standard Specifications, except as modified herein.

Materials. Revise Article 1003.03(c) of the Standard Specifications to read:

“(c) Gradation. The fine aggregate gradation for all HMA shall be FA 1, FA 2, FA 20, or FA 21. For mixture IL-9.5FG, the fine aggregate fraction shall consist of at least 67 percent manufactured sand meeting FA 20 gradation. The manufactured sand shall be stone sand, slag sand, steel slag sand, or combinations thereof.”

Mixture Design. Add the following to the table in Article 1030.04(a)(1):

“High ESAL, MIXTURE COMPOSITION (% PASSING) ^{1/}		
Sieve Size	IL-9.5FG	
	min	max
1 1/2 in (37.5 mm)		
1 in. (25 mm)		
3/4 in. (19 mm)		
1/2 in. (12.5 mm)		100
3/8 in. (9.5 mm)	90	100
#4 (4.75 mm)	60 ^{4/}	75 ^{4/}
#8 (2.36 mm)	45 ^{4/}	60 ^{4/}
#16 (1.18 mm)	25	40
#30 (600 μm)	15	30
#50 (300 μm)	8	15
#100 (150 μm)	6	10
#200 (75 μm)	4	6.5
Ratio Dust/Asphalt Binder		1.0

4/ When used as level binder placed less than 1 in. (25 mm) thick, the min and max percent passing shall each be increased 5%.

Revise the table in Article 1030.04(b)(1) of the Standard Specifications to read:

“VOLUMETRIC REQUIREMENTS High ESAL					
N _{design}	Voids in the Mineral Aggregate (VMA), % minimum				Voids Filled with Asphalt Binder (VFA), %
	IL-25.0	IL-19.0	IL-12.5	IL-9.5	
50	12.0	13.0	14.0	15 ^{1/}	65 - 78
70					65 - 75 ^{2/}
90					
105					

1/ The VMA for IL-9.5FG shall be a minimum of 15.0 percent.

2/ The VFA range for IL-9.5FG shall be 65 - 78 percent.”

Quality Control/Quality Assurance (QC/QA). Revise the second table in Article 1030.05(d)(4) to read:

DENSITY CONTROL LIMITS			
Mixture Composition		Parameter	Individual Test ^{3/}
IL-9.5FG	Lifts < 1.25 in. (32 mm)	N _{design} 50 - 105	91.0 – 97.0% ^{2/}
	Lifts ≥ 1.25 in. (32 mm)	N _{design} 50 - 105	93.0 – 97.0%
IL-9.5, IL-12.5		N _{design} ≥ 90	92.0 – 96.0 %
IL-9.5, IL-9.5L, IL-12.5		N _{design} < 90	92.5 – 97.4 %
IL-19.0, IL-25.0		N _{design} ≥ 90	93.0 – 96.0 %
IL-19.0, IL-19.0L, IL-25.0		N _{design} < 90	93.0 – 97.4 %
All Other		N _{design} = 30	93.0 ^{1/} - 97.4 %

1/ 92.0 % when placed as first lift on an unimproved subgrade.

2/ Density shall be determined by cores or by correlated, approved thin lift nuclear gauge.

3/ Bulk Specific Gravity and Density that are determined using coated samples must be in accordance with ASTM 1188-96.

CONSTRUCTION REQUIREMENTS

Leveling Binder. Revise the table and second paragraph of Article 406.05(c) of the Standard Specifications to read:

"Leveling Binder	
Nominal, Compacted, Leveling Binder Thickness, in. (mm)	Mixture Composition
≤ 1 1/4 (32)	IL-9.5, IL-9.5 FG, or IL-9.5L
> 1 1/4 to 2 (32 to 50)	IL-9.5, IL-9.5FG, IL-9.5L, or IL-12.5

The density requirements of Article 1030.05(d)(4) shall apply for leveling binder, machine method, when the nominal, compacted thickness is: 3/4 in. (19 mm) or greater for IL-9.5FG mixtures, 1 1/4 in. (32 mm) or greater for IL-9.5 and IL-9.5L mixtures, and 1 1/2 in. (38 mm) or greater for IL-12.5 mixtures."

Compaction. Revise Table 1 in Article 406.07(a) of the Standard Specifications to read:

"TABLE 1 - MINIMUM ROLLER REQUIREMENTS FOR HMA				
	Breakdown Roller (one of the following)	Intermediate Roller	Final Roller (one or more of the following)	Density Requirement
Level Binder: (When the density requirements of Article 406.05(c) do not apply.)	P 3/	--	VS, P 3/, TB, TF, 3W	To the satisfaction of the Engineer.
Level Binder: (When placed at $\leq 1 \frac{1}{4}$ (32 mm) and density requirements apply.)	TB, 3W	P 3/	VS, TB, TF	As specified in Articles: 1030.05(d)(3), (d)(4), and (d)(7).
Binder and Surface 1/ (When the density requirements of Article 406.05(c) apply.)	VD, P 3/, TB, 3W	P 3/	VS, TB, TF	As specified in Articles: 1030.05(d)(3), (d)(4), and (d)(7).
Bridge Decks 2/	TB	--	TF	As specified in Articles: 582.05 and 582.06.

- 1/ If the average delivery at the job site is 85 ton/hr (75 metric ton/hr) or less, any roller combination may be used provided it includes a steel wheeled roller and the required density and smoothness is obtained.
- 2/ One TB may be used for both breakdown and final rolling on bridge decks 300 ft (90 m) or less in length, except when the air temperature is less than 60 °F (15 °C).
- 3/ A vibratory roller (VD) may be used in lieu of the pneumatic-tired roller on mixtures containing polymer modified asphalt binder.

Basis of Payment. Add the following two paragraphs after the third paragraph of Article 406.14 of the Standard Specifications:

"Mixture IL-9.5FG will be paid for at the contract unit price per ton (metric ton) for LEVELING BINDER (HAND METHOD), IL-9.5FG, of the Ndesign specified; LEVELING BINDER (MACHINE METHOD), IL-9.5FG, of the Ndesign specified; or HOT-MIX ASPHALT SURFACE COURSE, IL-9.5FG, of the Ndesign specified.

Mixture IL-9.5FG in which polymer modified asphalt binders are required will be paid for at the contract unit price per ton (metric ton) for POLYMERIZED LEVELING BINDER (HAND METHOD), IL-9.5FG, of the Ndesign specified; POLYMERIZED LEVELING BINDER (MACHINE METHOD), IL-9.5FG, of the Ndesign specified; or POLYMERIZED HOT-MIX ASPHALT SURFACE COURSE, IL-9.5FG, of the Ndesign specified.”

TRAFFIC CONTROL SURVEILLANCE

Effective: January 1, 2011

Revise the first sentence of the first paragraph of Article 701.10 of the Standard Specifications to read:

“When open holes, broken pavement, trenches over 3 in. deep and 4 in. wide or other hazards are present within 8 ft of the edge of an open lane, the Contractor shall furnish traffic control surveillance at all times, whether or not the Contractor is engaged in construction operations.”

HOT MIX ASPHALT QUALITY CONTROL FOR PERFORMANCE (BMPR)

Effective: January 1, 2012

Revised: December 1, 2013

Description. This special provision describes the procedures for production, placement and payment of hot-mix asphalt (HMA). This work shall be according to the Standard Specifications except as modified herein. This special provision shall apply to HMA mixtures as listed in the following table.

Mixture/Use:	HMA Surface Course, Mix D, N50
Location:	Mainline travel lanes & turn lanes
	Entire job
Mixture/Use:	HMA leveling Binder, Machine Method, N50
Location:	Mainline Travel Lanes and Turn Lanes
	Density 100% Pay on Level Binder, acceptance by QC/QA Testing
Mixture/Use:	
Location:	

Exceptions may be approved for small tonnage less than 800 (725 metric) tons and miscellaneous mixture applications as defined by the Engineer.

Delete Articles:	406.06(b)(1), 2 nd Paragraph	(Temperature requirements)
	406.06 (e), 3 rd Paragraph	(Pavers speed requirements)
	406.07	(Compaction)
	1030.05(a)(4, 5, 9,)	(QC/QA Documents)
	1030.05(d)(2)a.	(Plant Tests)
	1030.05(d)(2)b.	(Dust-to-Asphalt and Moisture Content)
	1030.05(d)(2)d.	(Small Tonnage)
	1030.05(d)(2)f.	(HMA Sampling)
	1030.05(d)(3)	(Required Field Tests)
	1030.05(d)(4)	(Control Limits)
	1030.05(d)(5)	(Control Charts)
	1030.05(d)(7)	(Corrective Action for Field Tests (Density))
	1030.05(e)	(Quality Assurance by the Engineer)
	1030.05(f)	(Acceptance by the Engineer)
	1030.06(a), 3 rd paragraph	(Before start-up...)
	1030.06(a), 7 th paragraph	(After an acceptable...)
	1030.06(a), 8 th paragraph	(If a mixture...)
	1030.06(a), 9 th paragraph	(A nuclear/core...)

Definitions:

- (a) Quality Control (QC): All production and construction activities by the Contractor required to achieve the required level of quality.
- (b) Quality Assurance (QA): All monitoring and testing activities by the Engineer required to assess product quality, level of payment, and acceptability of the product.
- (c) Pay Parameters: Pay Parameters shall be field Voids in the Mineral Aggregate (VMA), voids, and density. Field VMA will be calculated using the combined aggregates bulk specific gravity (G_{sb}) from the mix design.
- (d) Mixture Lot. A lot shall begin once an acceptable test strip has been completed and the AJMF has been determined. If the test strip is waived, a subplot shall begin with the start of production. A mixture lot shall consist of four sublots unless it is the last or only lot, in which case it may consist of as few as one subplot.
- (e) Mixture Sublot. A mixture subplot for field VMA, voids, and Dust/AC will be a maximum of 1000 tons (910 metric tons).
- If the remaining quantity is greater than 200 but less than 1000 tons, a subplot will consist of that amount.
 - If the remaining quantity is less than or equal to 200 tons, the quantity shall be combined with the previous subplot.
- (f) Density Interval. Density Intervals shall be every 0.2 mile (320 m) for lift thickness equal to or less than 3 in. (75 mm) and 0.1 mile (160 m) for lift thickness greater than 3 in. (75 mm).

(g) Density Sublot. A sublot for density shall be the average of five consecutive Density Intervals. If a Density Interval is less than 200 ft (60 m), it will be combined with the previous Density Intervals.

- If one or two Density Intervals remain outside a sublot, they shall be included in the previous sublot.
- If three or more Density Intervals remain, they shall be considered a sublot.

(h) Density Test: A density test consists of a core taken at a random longitudinal and random transverse offset within each Density Interval. The HMA maximum theoretical gravity (G_{mm}) will be based on the running average of four Department test results. Initial G_{mm} will be based on the average of the first four test results. If less than four G_{mm} results are available, use an average of all available Department G_{mm} test results.

The random transverse offset excludes a distance from each outer edge equal to the lift thickness or a minimum of 4 in. (100 mm). If a core is located within one foot of an unconfined edge, 2.0 percent density will be added to the density of that core.

Quality Control (QC) by the Contractor:

The Contractor’s QC plan shall include the schedule of testing for both pay parameters and non-pay parameters required to control the product such as asphalt binder content and mixture gradation. The minimum test frequency shall be according to the following table.

Minimum Quality Control Sampling and Testing Requirements

Quality Characteristic		Minimum Test Frequency
Mixture Gradation		1 per sublot
Asphalt Binder Content		
Dust/AC Ratio		
Field VMA		
Voids	G_{mb}	
	G_{mm}	

The Contractor’s splits in conjunction with other quality control tests shall be used to control production.

The Contractor shall submit split jobsite mix sample test results to the Engineer within 48 hours of the time of sampling. All QC testing shall be performed in a qualified laboratory by personnel who have successfully completed the Department’s HMA Level I training.

Quality Assurance (QA) by the Engineer:

Voids, field VMA and Dust/AC ratio: The Engineer will determine the random tonnage and the Contractor shall be responsible for obtaining the sample according to the “PFP Hot-Mix Asphalt Random Jobsite Sampling” procedure.

Density: The Engineer will identify the random locations for each density testing interval. The Contractor shall be responsible for obtaining the four inch cores within the same day and prior to opening to traffic unless otherwise approved by the Engineer according to the "PFP and QCP Random Density Procedure". The locations will be identified after final rolling and cores shall be obtained under the supervision of the Engineer. All core holes shall be filled immediately upon completion of coring. All water shall be removed from the core holes prior to filling. All core holes shall be filled with a rapid hardening mortar or concrete which shall be mixed in a separate container prior to placement in the hole. Any depressions in the surface of the filled core holes greater than 1/4 inch at the time of final inspection will require removal of the fill material to the depth of the lift thickness and replacement.

The Engineer will witness and secure all mixture and density samples. The Contractor shall transport the secured sample to a location designated by the Engineer.

The Engineer will test one or all of the randomly selected split samples from each lot for voids, field VMA and dust/AC ratio. The Engineer will test a minimum of one sample per project. The Engineer will test all of the pavement cores for density. All QA testing will be performed in a qualified laboratory by personnel who have successfully completed the Department's HMA Level I training. QA test results will be available to the Contractor within 10 working days from receipt of secured cores and split mixture samples.

The Engineer will maintain a complete record of all Department test results and copies will be provided to the Contractor with each set of subplot results. The records will contain, as a minimum, the originals of all Department test results and raw data, random numbers used and resulting calculations for sampling locations, and quality level analysis calculations.

If the QA results do not meet the 100% subplot pay factor limits or do not compare to QC results within the precision limits listed below, the Engineer will test all split mix samples for the lot.

Test Parameter	Limits of Precision
G_{mb}	0.030
G_{mm}	0.026
Field VMA	1.0 %

Acceptance by the Engineer: All of the Department's tests shall be within the acceptable limits listed below:

Parameter		Acceptable Limits
Field VMA		-1.0 – +3.0% ^{1/}
Voids		2.0 – 6.0%
Density:	IL-9.5, IL-12.5, IL-19.0, IL-25.0, IL-4.75, IL-9.5FG ^{3/}	90.0 – 98.0%
	SMA	92.0 – 98.0%
Dust / AC Ratio		0.4 – 1.6 ^{2/}

1/ Based on minimum required VMA from mix design

2/ Does not apply to SMA.

3/ Acceptable density limits for IL-9.5FG placed less than 1.25 in. shall be 89.0% - 98.0%

In addition, no visible pavement distresses shall be present such as, but not limited to, segregation, excessive coarse aggregate fracturing or flushing.

Basis of Payment: Payment will be based on the calculation of the Composite Pay Factor using QA results for each mix according to the "QCP Payment Calculation" document.

Dust / AC Ratio. A monetary deduction will be made using the pay adjustment table below for dust/AC ratios that deviate from the 0.6 to 1.2 range. If the tested subplot is outside of this range, the Department will test the remaining sublots for Dust / AC pay adjustment.

Dust / AC Pay Adjustment Table^{1/}

Range	Deduct / subplot
$0.6 \leq X \leq 1.2$	\$0
$0.5 \leq X < 0.6$ or $1.2 < X \leq 1.4$	\$1000
$0.4 \leq X < 0.5$ or $1.4 < X \leq 1.6$	\$3000
$X < 0.4$ or $X > 1.6$	Shall be removed and replaced

1/ Does not apply to SMA

VERTICAL ADJUSTMENT OF GUARDRAIL

This work shall be in accordance with Section 633 of the Standard Specifications for Road and Bridge Construction, and as modified by the Special Provision. The height shall be 24 $\frac{7}{8}$ ", as shown in Standard 630001.

This work shall consist of furnishing and installing all materials needed for the construction of the Steel Plate Beam Guardrail Adjustment as detailed on the plans. The Steel Plate Beam Guardrail Adjustment shall be installed from:

- Sta. 1208+27.5 to Sta. 1212+02.5 Rt.
- Sta. 1208+62.5 to Sta. 1212+37.5 Lt.
- Sta. 1316+66.5 to Sta. 1319+29.0 Rt.
- Sta. 1317+41.5 to Sta. 1318+29.0 Lt.

All labor, equipment, and material required for this work shall be paid for at the contract unit price per Foot for VERTICAL ADJUSTMENT OF GUARDRAIL.

EXCAVATION FOR AGGREGATE SUBGRADE IMPROVEMENT

Excavation under PAVEMENT REMOVAL or CLASS C PATCHES, TYPE IV, 10 INCH may be required to construct the proper depth of AGGREGATE SUBGRADE IMPROVEMENT, as shown on the patching detail sheets (Sta. 1085+05 to Sta. 1086+80). The cost of excavation shall be included in AGGREGATE SUBGRADE IMPROVEMENT.

HOT-MIX ASPHALT – PRIME COAT (BMPR)

Effective: February 19, 2013

Revised: March 1, 2014

Revise Note 1 of Article 406.02 of the Standard Specifications to read:

“Note 1. The bituminous material used for prime coat shall be one of the types listed in the following table.

When emulsified asphalts are used, any dilution with water shall be performed by the emulsion producer. The emulsified asphalt shall be thoroughly agitated within 24 hours of application and show no separation of water and emulsion.

Application	Bituminous Material Types
Prime Coat on Brick, Concrete, or HMA Bases	SS-1, SS-1h, SS-1hP, SS-1vh, CSS-1, CSS-1h, CSS-1hP, HFE-90, RC-70
Prime Coat on Aggregate Bases	MC-30, PEP”

Add the following to Article 406.03 of the Standard Specifications:

“(i) Regenerative Air Vacuum Sweeper.....1101.19”

Revise Article 406.05(b) of the Standard Specifications to read:

“(b) Prime Coat. The bituminous material shall be prepared according to Article 403.05 and applied according to Article 403.10. The use of RC-70 shall be limited to air temperatures less than 60 °F (15 °C).”

- (1) Brick, Concrete or HMA Bases. The base shall be cleaned of all dust, debris and any substance that will prevent the prime coat from adhering to the base. Cleaning shall be accomplished by sweeping to remove all large particles and air blasting to remove dust. As an alternate to air blasting, vacuum sweeping may be used to accomplish the dust removal. Vacuum sweeping shall be accomplished with a regenerative air vacuum sweeper. The base shall be free of standing water at the time of application. The prime coat shall be applied uniformly and at a rate that will provide a residual asphalt rate on the prepared surface as specified in the following table.

Type of Surface to be Primed	Residual Asphalt Rate lb/sq ft (kg/sq m)
Milled HMA, Aged Non-Milled HMA, Milled Concrete, Non-Milled Concrete & Tined Concrete	0.05 (0.244)
Fog Coat between HMA Lifts, IL-4.75 & Brick	0.025 (0.122)

The bituminous material for the prime coat shall be placed one lane at a time. The primed lane shall remain closed until the prime coat is fully cured and does not pickup under traffic. When placing prime coat through an intersection where it is not possible to keep the lane closed, the prime coat may be covered immediately following its application with fine aggregate mechanically spread at a uniform rate of 2 to 4 lb/sq yd (1 to 2 kg/sq m).

- (2) Aggregate Bases. The prime coat shall be applied uniformly and at a rate that will provide a residual asphalt rate on the prepared surface of 0.25 lb/sq ft ± 0.01 (1.21 kg/sq m ± 0.05).

The prime coat shall be permitted to cure until the penetration has been approved by the Engineer, but at no time shall the curing period be less than 24 hours for MC-30 or four hours for PEP. Pools of prime occurring in the depressions shall be broomed or squeegeed over the surrounding surface the same day the prime coat is applied.

The base shall be primed 1/2 width at a time. The prime coat on the second half/width shall not be applied until the prime coat on the first half/width has cured so that it will not pick up under traffic.

The residual asphalt binder rate will be verified a minimum of once per type of surface to be primed as specified herein for which at least 2,000 tons of HMA will be placed. The test will be according to the “Determination of Residual Asphalt in Prime and Tack Coat Materials” test procedure.

Prime coat shall be fully cured prior to placement of HMA to prevent pickup by haul trucks or paving equipment. If pickup occurs, paving shall cease in order to provide additional cure time.

Prime coat shall be placed no more than five days in advance of the placement of HMA. If after five days loss of prime coat is evident prior to covering with HMA, additional prime coat shall be placed as determined by the Engineer at no additional cost to the Department.”

Revise the last sentence of the first paragraph of 406.13(b) to read:

“Water added to emulsified asphalt as allowed in article 406.02 will not be included in the quantities measured for payment.”

Revise the second paragraph of Article 406.13(b) of the Standard Specifications to read:

“Aggregate for covering prime coat will not be measured for payment.”

Revise the first paragraph of Article 406.14 of the Standard Specifications to read:

“Prime Coat will be paid for at the contract unit price per pound of residual asphalt applied for BITUMINOUS MATERIALS (PRIME COAT), or POLYMERIZED BITUMINOUS MATERIALS (PRIME COAT)”

Revise Article 407.06(b) of the Standard Specifications to read:

“A bituminous prime coat shall be applied between each lift of HMA according to Article 406.05(b).”

Revise Article 1032.02 of the Standard Specifications to read:

“1032.02 Measurement. Asphalt binders, emulsified asphalts, rapid curing liquid asphalt, medium curing liquid asphalts, slow curing liquid asphalts, asphalt fillers, and road oils will be measured by weight.

A weight ticket for each truck load shall be furnished to the inspector. The truck shall be weighed at a location approved by the Engineer. The ticket shall show the weight of the empty truck (the truck being weighed each time before it is loaded), the weight of the loaded truck, and the net weight of the bituminous material.

When an emulsion or cutback is used for prime coat, the percentage of asphalt residue of the actual certified product shall be shown on the producer’s bill of lading or attached certificate of analysis. If the producer adds extra water to an emulsion at the request of the purchaser, the amount of water shall also be shown on the bill of lading.

Payment will not be made for bituminous materials in excess of 105 percent of the amount specified by the Engineer.”

Add the following to the table in article 1032.04 of the Standard Specifications:

“SS-1vh	160 - 180	70 – 80”
---------	-----------	----------

Add the following to Article 1032.06 of the Standard Specifications:

“(g) Non Tracking Emulsified Asphalt SS-1vh:

Requirements for SS-1vh			
Test		SPEC	AASHTO Test Method
Saybolt Viscosity @ 25C,	SFS	20-200	T 72
Storage Stability, 24hr.,	%	1 max.	T 59
Residue by Evaporation,	%	50 min.	T 59
Sieve Test,	%	0.3 max.	T 59
Tests on Residue from Evaporation			
Penetration @25°C, 100g., 5 sec., dmm		20 max.	T 49
Softening Point,	°C	65 min.	T 53
Solubility,	%	97.5 min.	T 44
Orig. DSR @ 82°C,	kPa	1.00 min.	T 315”

Revise the last table of Article 1032.06 to read:

“Grade	Use
SS-1, SS-1h, CSS-1, CSS-1h, HFE-90, SS-1hP, CSS-1hP, SS-1vh	Prime or fog seal
PEP	Bituminous surface treatment prime
RS-2, HFE-90, HFE-150, HFE-300, CRSP, HFP, CRS-2, HFRS-2	Bituminous surface treatment
CSS-1h Latex Modified	Microsurfacing”

Add the following to Article 1101 of the Standard Specifications:

“1101.19 Regenerative Air Vacuum Sweeper. The regenerative air vacuum sweeper shall blast re-circulated, filtered air through a vacuum head having a minimum width of 6.0 feet at a minimum rate of 20,000 cubic feet per minute.”

LEGAL REGULATIONS AND RESPONSIBILITY TO PUBLIC

Effective: February 26, 2014

Revise the fourth paragraph of Article 107.09 of the Standard Specifications to read:

“The length of the holiday period shall vary as follows, depending on the day of the week the legal holiday falls on or is observed, with the exception of Thanksgiving. The length of the holiday period for Thanksgiving shall be from 12 midnight on Tuesday until 12 midnight on Sunday.”

Revise the table in this Article to read:

Day of Holiday	Length of Holiday Period
Sunday	Noon Friday – 12 midnight Monday
Monday	Noon Friday – 12 midnight Monday
Tuesday	Noon Friday – 12 midnight Tuesday
Wednesday	Noon Tuesday – 12 midnight Wednesday
Thursday	Noon Wednesday – 12 midnight Sunday
Friday	Noon Thursday – 12 midnight Sunday
Saturday	Noon Thursday – 12 midnight Sunday

MATERIAL TRANSFER DEVICE (BDE)

Effective Date: June 15, 1999

Revised Date: January 1, 2009

Description. This work shall consist of placing HMA Leveling Binder (MM) and Surface Course Mixtures according to Section 406 of the Standard Specifications, except that these materials shall be placed using a material transfer device.

Materials and Equipment. The material transfer device shall have a minimum surge capacity of 15 tons (13.5 metric tons), shall be self-propelled and capable of moving independent of the paver, and shall be equipped with the following:

- (a) Front-Dump Hopper and Conveyor. The conveyor shall provide a positive restraint along the sides of the conveyor to prevent material spillage. Material Transfer devices having paver style hoppers shall have a horizontal bar restraint placed across the foldable wings which prevents the wings from being folded.
- (b) Paver Hopper Insert. The paver hopper insert shall have a minimum capacity of 14 tons (12.7 metric tons).
- (c) Mixer/Agitator Mechanism. This re-mixing mechanism shall consist of a segmented, anti-segregation, re-mixing auger or two full-length longitudinal paddle mixers designed for the purpose of re-mixing the hot-mix asphalt (HMA). The longitudinal paddle mixers shall be located in the paver hopper insert.

CONSTRUCTION REQUIREMENTS

General. The material transfer device shall be used for the placement of all HMA Leveling Binder (MM) and Surface Course Mixtures placed with a paver on IL 40 mainline. The material transfer device speed shall be adjusted to the speed of the paver to maintain a continuous, non-stop paving operation.

Use of a material transfer device with a roadway contact pressure exceeding 20 psi (138 kPa) will be limited to partially completed segments of full-depth HMA pavement where the thickness of binder in place is 10 in. (250 mm) or greater.

Structures. The material transfer device may be allowed to travel over structures under the following conditions:

- (a) Approval will be given by the Engineer.
- (b) The vehicle shall be emptied of HMA material prior to crossing the structure and shall travel at crawl speed across the structure.
- (c) The tires of the vehicle shall travel on or in close proximity and parallel to the beam and/or girder lines of the structure.

Method of Measurement. This work will be measured for payment in tons (metric tons) for all HMA Binder and Surface Course materials placed with a material transfer device.

Basis of Payment. This work will be paid for at the contract unit price per ton (metric ton) for MATERIAL TRANSFER DEVICE.

The various HMA mixtures placed with the material transfer device will be paid for as specified in their respective specifications. The Contractor may choose to use the material transfer device for other applications on this project; however, no additional compensation will be allowed.

AGGREGATE SUBGRADE IMPROVEMENT (BDE)

Effective: April 1, 2012

Revised: January 1, 2013

Add the following Section to the Standard Specifications:

“SECTION 303. AGGREGATE SUBGRADE IMPROVEMENT

303.01 Description. This work shall consist of constructing an aggregate subgrade improvement.

303.02 Materials. Materials shall be according to the following.

Item	Article/Section
(a) Coarse Aggregate	1004.06
(b) Reclaimed Asphalt Pavement (RAP) (Notes 1, 2, and 3)	1031

Note 1. Crushed RAP, from either full depth or single lift removal, may be mechanically blended with aggregate gradations CS 01, CS 02, and RR 01 but shall not exceed 40 percent of the total product. The top size of the RAP shall be less than 4 in. (100 mm) and well graded.

Note 2. RAP having 100 percent passing the 1 1/2 in. (37.5 mm) sieve and being well graded, may be used as capping aggregate in the top 3 in. (75 mm) when aggregate gradations CS 01, CS 02, or RR 01 are used in lower lifts.

Note 3. The RAP used for aggregate subgrade improvement shall be according to the current Bureau of Materials and Physical Research Policy Memorandum, “Reclaimed Asphalt Pavement (RAP) for Aggregate Applications”.

303.03 Equipment. The vibratory machine shall be according to Article 1101.01, or as approved by the Engineer.

303.04 Soil Preparation. The stability of the soil shall be according to the Department’s Subgrade Stability Manual for the aggregate thickness specified.

303.05 Placing Aggregate. The maximum nominal lift thickness of aggregate gradations CA 02, CA 06, or CA 10 shall be 12 in. (300 mm). The maximum nominal lift thickness of aggregate gradations CS 01, CS 02, and RR 01 shall be 24 in. (600 mm).

303.06 Capping Aggregate. The top surface of the aggregate subgrade shall consist of a minimum 3 in. (75 mm) of aggregate gradations CA 06 or CA 10. When the contract specifies that a granular subbase is to be placed on the aggregate subgrade improvement, the 3 in. (75 mm) of capping aggregate shall be the same gradation and may be placed with the underlying aggregate subgrade improvement material.

303.07 Compaction. All aggregate lifts shall be compacted to the satisfaction of the Engineer. If the moisture content of the material is such that compaction cannot be obtained, sufficient water shall be added so that satisfactory compaction can be obtained.

303.08 Finishing and Maintenance of Aggregate Subgrade Improvement. The aggregate subgrade improvement shall be finished to the lines, grades, and cross sections shown on the plans, or as directed by the Engineer. The aggregate subgrade improvement shall be maintained in a smooth and compacted condition.

303.09 Method of Measurement. This work will be measured for payment according to Article 311.08.

303.10 Basis of Payment. This work will be paid for at the contract unit price per cubic yard (cubic meter) or ton (metric ton) for AGGREGATE SUBGRADE IMPROVEMENT or at the contract unit price per square yard (square meter) for AGGREGATE SUBGRADE IMPROVEMENT, of the thickness specified.”

Add the following to Section 1004 of the Standard Specifications:

“**1004.06 Coarse Aggregate for Aggregate Subgrade Improvement.** The aggregate shall be according to Article 1004.01 and the following.

- (a) Description. The coarse aggregate shall be crushed gravel, crushed stone, or crushed concrete.
- (b) Quality. The coarse aggregate shall consist of sound durable particles reasonably free of deleterious materials.
- (c) Gradation.
 - (1) The coarse aggregate gradation for total subgrade thickness less than or equal to 12 in. (300 mm) shall be CA 2, CA 6, CA 10, or CS 01.

The coarse aggregate gradation for total subgrade thickness more than 12 in. (300 mm) shall be CS 01, CS 02 or RR 01(see Article 1005.01(c)).

COARSE AGGREGATE SUBGRADE GRADATIONS					
Grad No.	Sieve Size and Percent Passing				
	8"	6"	4"	2"	#4
CS 01	100	97 ± 3	90 ± 10	45 ± 25	20 ± 20
CS 02		100	80 ± 10	25 ± 15	

COARSE AGGREGATE SUBGRADE GRADATIONS (Metric)					
Grad No.	Sieve Size and Percent Passing				
	200 mm	150 mm	100 mm	50 mm	4.75 mm
CS 01	100	97 ± 3	90 ± 10	45 ± 25	20 ± 20
CS 02		100	80 ± 10	25 ± 15	

- (2) The 3 in. (75 mm) capping aggregate shall be gradation CA 6 or CA 10.”

AUTOMATED FLAGGER ASSISTANCE DEVICES (BDE)

Effective: January 1, 2008

Description. This work shall consist of furnishing and operating automated flagger assistance devices (AFADs) as part of the work zone traffic control and protection for two-lane highways where two-way traffic is maintained over one lane of pavement. Use of these devices shall be at the option of the Contractor.

Equipment. AFADs shall be according to the FHWA memorandum, "MUTCD - Revised Interim Approval for the use of Automated Flagger Assistance Devices in Temporary Traffic Control Zones (IA-4R)", dated January 28, 2005. The devices shall be mounted on a trailer or a moveable cart and shall meet the requirements of NCHRP 350, Category 4.

The AFAD shall be the Stop/Slow type. This device uses remotely controlled "STOP" and "SLOW" signs to alternately control right-of-way.

Signs for the AFAD shall be according to Article 701.03 of the Standard Specifications and the MUTCD. The signs shall be 24 x 24 in. (600 x 600 mm) having an octagon shaped "STOP" sign on one side and a diamond shaped "SLOW" sign on the opposite side. The letters on the signs shall be 8 in. (200 mm) high. If the "STOP" sign has louvers, the full sign face shall be visible at a distance of 50 ft (15 m) and greater.

The signs shall be supplemented with one of the following types of lights.

- (a) Flashing Lights. When flashing lights are used, white or red flashing lights shall be mounted within the "STOP" sign face and white or yellow flashing lights within the "SLOW" sign face.
- (b) Stop and Warning Beacons. When beacons are used, a stop beacon shall be mounted 24 in. (600 mm) or less above the "STOP" sign face and a warning beacon mounted 24 in. (600 mm) or less above, below, or to the side of the "SLOW" sign face. As an option, a Type B warning light may be used in lieu of the warning beacon.

A "WAIT ON STOP" sign shall be placed on the right hand side of the roadway at a point where drivers are expected to stop. The sign shall be 24 x 30 in. (600 x 750 mm) with a black legend and border on a white background. The letters shall be at least 6 in. (150 mm) high.

This device may include a gate arm or mast arm that descends to a horizontal position when the "STOP" sign is displayed and rises to a vertical position when the "SLOW" sign is displayed. When included, the end of the arm shall reach at least to the center of the lane being controlled. The arm shall have alternating red and white retroreflective stripes, on both sides, sloping downward at 45 degrees toward the side on which traffic will pass. The stripes shall be 6 in. (150 mm) in width and at least 2 in. (50 mm) in height.

Flagging Requirements. Flaggers and flagging requirements shall be according to Article 701.13 of the Standard Specifications and the following.

AFADs shall be placed at each end of the traffic control, where a flagger is shown on the plans. The flaggers shall be able to view the face of the AFAD and approaching traffic during operation.

To stop traffic, the "STOP" sign shall be displayed, the corresponding lights/beacon shall flash, and when included, the gate arm shall descend to a horizontal position. To permit traffic to move, the "SLOW" sign shall be displayed, the corresponding lights/beacon shall flash, and when included, the gate arm shall rise to a vertical position.

If used at night, the AFAD location shall be illuminated according to Section 701 of the Standard Specifications.

When not in use, AFADs will be considered nonoperating equipment and shall be stored according to Article 701.11 of the Standard Specifications.

Basis of Payment. This work will not be paid for separately but shall be considered as included in the cost of the various traffic control items included in the contract.

CONCRETE MIX DESIGN – DEPARTMENT PROVIDED (BDE)

Effective: January 1, 2012

Revised: January 1, 2014

For the concrete mix design requirements in Article 1020.05(a) of the Supplemental Specifications and Recurring Special Provisions, the Contractor has the option to request the Engineer determine mix design material proportions for Class PV, PP, RR, BS, DS, SC, and SI concrete. A single mix design for each class of concrete will be provided. Acceptance by the Contractor to use the mix design developed by the Engineer shall not relieve the Contractor from meeting specification requirements.

CONTRACT CLAIMS (BDE)

Effective: April 1, 2014

Revise the first paragraph of Article 109.09(a) of the Standard Specifications to read:

"(a) Submission of Claim. All claims filed by the Contractor shall be in writing and in sufficient detail to enable the Department to ascertain the basis and amount of the claim. As a minimum, the following information must accompany each claim submitted."

Revise Article 109.09(e) of the Standard Specifications to read:

“(e) Procedure. The Department provides two administrative levels for claims review.

- Level I Engineer of Construction
- Level II Chief Engineer/Director of Highways or Designee

- (1) Level I. All claims shall first be submitted at Level I. Two copies each of the claim and supporting documentation shall be submitted simultaneously to the District and the Engineer of Construction. The Engineer of Construction, in consultation with the District, will consider all information submitted with the claim and render a decision on the claim within 90 days after receipt by the Engineer of Construction. Claims not conforming to this Article will be returned without consideration. The Engineer of Construction may schedule a claim presentation meeting if in the Engineer of Construction’s judgment such a meeting would aid in resolution of the claim, otherwise a decision will be made based on the claim documentation submitted. If a Level I decision is not rendered within 90 days of receipt of the claim, or if the Contractor disputes the decision, an appeal to Level II may be made by the Contractor.
- (2) Level II. An appeal to Level II shall be made in writing to the Engineer of Construction within 45 days after the date of the Level I decision. Review of the claim at Level II shall be conducted as a full evaluation of the claim. A claim presentation meeting may be scheduled if the Chief Engineer/Director of Highways determines that such a meeting would aid in resolution of the claim, otherwise a decision will be made based on the claim documentation submitted. A Level II final decision will be rendered within 90 days of receipt of the written request for appeal.

Full compliance by the Contractor with the provisions specified in this Article is a contractual condition precedent to the Contractor’s right to seek relief in the Court of Claims. The Director’s written decision shall be the final administrative action of the Department. Unless the Contractor files a claim for adjudication by the Court of Claims within 60 days after the date of the written decision, the failure to file shall constitute a release and waiver of the claim.”

DISADVANTAGED BUSINESS ENTERPRISE PARTICIPATION (BDE)

Effective: September 1, 2000

Revised: August 2, 2011

FEDERAL OBLIGATION. The Department of Transportation, as a recipient of federal financial assistance, is required to take all necessary and reasonable steps to ensure nondiscrimination in the award and administration of contracts. Consequently, the federal regulatory provisions of 49 CFR Part 26 apply to this contract concerning the utilization of disadvantaged business enterprises. For the purposes of this Special Provision, a disadvantaged business enterprise (DBE) means a business certified by the Department in accordance with the requirements of 49 CFR Part 26 and listed in the Illinois Unified Certification Program (IL UCP) DBE Directory.

STATE OBLIGATION. This Special Provision will also be used by the Department to satisfy the requirements of the Business Enterprise for Minorities, Females, and Persons with Disabilities Act, 30 ILCS 575. When this Special Provision is used to satisfy state law requirements on 100 percent state-funded contracts, the federal government has no involvement in such contracts (not a federal-aid contract) and no responsibility to oversee the implementation of this Special Provision by the Department on those contracts. DBE participation on 100 percent state-funded contracts will not be credited toward fulfilling the Department's annual overall DBE goal required by the US Department of Transportation to comply with the federal DBE program requirements.

CONTRACTOR ASSURANCE. The Contractor makes the following assurance and agrees to include the assurance in each subcontract that the Contractor signs with a subcontractor.

The Contractor, subrecipient, or subcontractor shall not discriminate on the basis of race, color, national origin, or sex in the performance of this contract. The Contractor shall carry out applicable requirements of 49 CFR Part 26 in the award and administration of contracts funded in whole or in part with federal or state funds. Failure by the Contractor to carry out these requirements is a material breach of this contract, which may result in the termination of this contract or such other remedy as the recipient deems appropriate.

OVERALL GOAL SET FOR THE DEPARTMENT. As a requirement of compliance with 49 CFR Part 26, the Department has set an overall goal for DBE participation in its federally assisted contracts. That goal applies to all federal-aid funds the Department will expend in its federally assisted contracts for the subject reporting fiscal year. The Department is required to make a good faith effort to achieve the overall goal. The dollar amount paid to all approved DBE companies performing work called for in this contract is eligible to be credited toward fulfillment of the Department's overall goal.

CONTRACT GOAL TO BE ACHIEVED BY THE CONTRACTOR. This contract includes a specific DBE utilization goal established by the Department. The goal has been included because the Department has determined that the work of this contract has subcontracting opportunities that may be suitable for performance by DBE companies. The determination is based on an assessment of the type of work, the location of the work, and the availability of DBE companies to do a part of the work. The assessment indicates that, in the absence of unlawful discrimination, and in an arena of fair and open competition, DBE companies can be expected to perform 5.00% of the work. This percentage is set as the DBE participation goal for this contract. Consequently, in addition to the other award criteria established for this contract, the Department will only award this contract to a bidder who makes a good faith effort to meet this goal of DBE participation in the performance of the work. A bidder makes a good faith effort for award consideration if either of the following is done in accordance with the procedures set for in this Special Provision:

- (a) The bidder documents that enough DBE participation has been obtained to meet the goal: or
- (b) The bidder documents that a good faith effort has been made to meet the goal, even though the effort did not succeed in obtaining enough DBE participation to meet the goal.

DBE LOCATOR REFERENCES. Bidders shall consult the IL UCP DBE Directory as a reference source for DBE-certified companies. In addition, the Department maintains a letting and item specific DBE locator information system whereby DBE companies can register their interest in providing quotes on particular bid items advertised for letting. Information concerning DBE companies willing to quote work for particular contracts may be obtained by contacting the Department's Bureau of Small Business Enterprises at telephone number (217)785-4611, or by visiting the Department's website at www.dot.il.gov.

BIDDING PROCEDURES. Compliance with this Special Provision is a material bidding requirement. The failure of the bidder to comply will render the bid not responsive.

- (a) The bidder shall submit a Disadvantaged Business Utilization Plan on Department forms SBE 2025 and 2026 with the bid.
- (b) The Utilization Plan shall indicate that the bidder either has obtained sufficient DBE participation commitments to meet the contract goal or has not obtained enough DBE participation commitments in spite of a good faith effort to meet the goal. The Utilization Plan shall further provide the name, telephone number, and telefax number of a responsible official of the bidder designated for purposes of notification of plan approval or disapproval under the procedures of this Special Provision.
- (c) The Utilization Plan shall include a DBE Participation Commitment Statement, Department form SBE 2025, for each DBE proposed for the performance of work to achieve the contract goal. For bidding purposes, submission of the completed SBE 2025 forms, signed by the DBEs and faxed to the bidder will be acceptable as long as the original is available and provided upon request. All elements of information indicated on the said form shall be provided, including but not limited to the following:
 - (1) The names and addresses of DBE firms that will participate in the contract;
 - (2) A description, including pay item numbers, of the work each DBE will perform;
 - (3) The dollar amount of the participation of each DBE firm participating. The dollar amount of participation for identified work shall specifically state the quantity, unit price, and total subcontract price for the work to be completed by the DBE. If partial pay items are to be performed by the DBE, indicate the portion of each item, a unit price where appropriate and the subcontract price amount;
 - (4) DBE Participation Commitment Statements, form SBE 2025, signed by the bidder and each participating DBE firm documenting the commitment to use the DBE subcontractors whose participation is submitted to meet the contract goal;
 - (5) if the bidder is a joint venture comprised of DBE companies and non-DBE companies, the plan must also include a clear identification of the portion of the work to be performed by the DBE partner(s); and,
 - (6) If the contract goal is not met, evidence of good faith efforts.

GOOD FAITH EFFORT PROCEDURES. The contract will not be awarded until the Utilization Plan submitted by the apparent successful bidder is approved. All information submitted by the bidder must be complete, accurate and adequately document that enough DBE participation has been obtained or document that good faith efforts of the bidder, in the event enough DBE participation has not been obtained, before the Department will commit to the performance of the contract by the bidder. The Utilization Plan will be approved by the Department if the Utilization Plan documents sufficient commercially useful DBE work performance to meet the contract goal or the bidder submits sufficient documentation of a good faith effort to meet the contract goal pursuant to 49 CFR Part 26, Appendix A. The Utilization Plan will not be approved by the Department if the Utilization Plan does not document sufficient DBE participation to meet the contract goal unless the apparent successful bidder documented in the Utilization Plan that it made a good faith effort to meet the goal. This means that the bidder must show that all necessary and reasonable steps were taken to achieve the contract goal. Necessary and reasonable steps are those which, by their scope, intensity and appropriateness to the objective, could reasonably be expected to obtain sufficient DBE participation, even if they were not successful. The Department will consider the quality, quantity, and intensity of the kinds of efforts that the bidder has made. Mere *pro forma* efforts, in other words, efforts done as a matter of form, are not good faith efforts; rather, the bidder is expected to have taken genuine efforts that would be reasonably expected of a bidder actively and aggressively trying to obtain DBE participation sufficient to meet the contract goal.

- (a) The following is a list of types of action that the Department will consider as part of the evaluation of the bidder's good faith efforts to obtain participation. These listed factors are not intended to be a mandatory checklist and are not intended to be exhaustive. Other factors or efforts brought to the attention of the Department may be relevant in appropriate cases, and will be considered by the Department.
- (1) Soliciting through all reasonable and available means (e.g. attendance at pre-bid meetings, advertising and/or written notices) the interest of all certified DBE companies that have the capability to perform the work of the contract. The bidder must solicit this interest within sufficient time to allow the DBE companies to respond to the solicitation. The bidder must determine with certainty if the DBE companies are interested by taking appropriate steps to follow up initial solicitations.
 - (2) Selecting portions of the work to be performed by DBE companies in order to increase the likelihood that the DBE goals will be achieved. This includes, where appropriate, breaking out contract work items into economically feasible units to facilitate DBE participation, even when the prime Contractor might otherwise prefer to perform these work items with its own forces.
 - (3) Providing interested DBE companies with adequate information about the plans, specifications, and requirements of the contract in a timely manner to assist them in responding to a solicitation.

- (4) a. Negotiating in good faith with interested DBE companies. It is the bidder's responsibility to make a portion of the work available to DBE subcontractors and suppliers and to select those portions of the work or material needs consistent with the available DBE subcontractors and suppliers, so as to facilitate DBE participation. Evidence of such negotiation includes the names, addresses, and telephone numbers of DBE companies that were considered; a description of the information provided regarding the plans and specifications for the work selected for subcontracting; and evidence as to why additional agreements could not be reached for DBE companies to perform the work.
- b. A bidder using good business judgment would consider a number of factors in negotiating with subcontractors, including DBE subcontractors, and would take a firm's price and capabilities as well as contract goals into consideration. However, the fact that there may be some additional costs involved in finding and using DBE companies is not in itself sufficient reason for a bidder's failure to meet the contract DBE goal, as long as such costs are reasonable. Also the ability or desire of a bidder to perform the work of a contract with its own organization does not relieve the bidder of the responsibility to make good faith efforts. Bidders are not, however, required to accept higher quotes from DBE companies if the price difference is excessive or unreasonable.
- (5) Not rejecting DBE companies as being unqualified without sound reasons based on a thorough investigation of their capabilities. The bidder's standing within its industry, membership in specific groups, organizations, or associations and political or social affiliations (for example union vs. non-union employee status) are not legitimate causes for the rejection or non-solicitation of bids in the bidder's efforts to meet the project goal.
- (6) Making efforts to assist interested DBE companies in obtaining bonding, lines of credit, or insurance as required by the recipient or Contractor.
- (7) Making efforts to assist interested DBE companies in obtaining necessary equipment, supplies, materials, or related assistance or services.
- (8) Effectively using the services of available minority/women community organizations; minority/women contractors' groups; local, state, and federal minority/women business assistance offices; and other organizations as allowed on a case-by-case basis to provide assistance in the recruitment and placement of DBE companies.
- (b) If the Department determines that the apparent successful bidder has made a good faith effort to secure the work commitment of DBE companies to meet the contract goal, the Department will award the contract provided that it is otherwise eligible for award. If the Department determines that the bidder has failed to meet the requirements of this Special Provision or that a good faith effort has not been made, the Department will notify the responsible company official designated in the Utilization Plan that the bid is not responsive. The notification shall include a statement of reasons for the determination.

- (c) The bidder may request administrative reconsideration of a determination adverse to the bidder within the five working days after the receipt of the notification date of the determination by delivering the request to the Department of Transportation, Bureau of Small Business Enterprises, Contract Compliance Section, 2300 South Dirksen Parkway, Room 319, Springfield, Illinois 62764 (Telefax: (217)785-1524). Deposit of the request in the United States mail on or before the fifth business day shall not be deemed delivery. The determination shall become final if a request is not made and delivered. A request may provide additional written documentation and/or argument concerning the issues raised in the determination statement of reasons, provided the documentation and arguments address efforts made prior to submitting the bid. The request will be forwarded to the Department's Reconsideration Officer. The Reconsideration Officer will extend an opportunity to the bidder to meet in person in order to consider all issues of documentation and whether the bidder made a good faith effort to meet the goal. After the review by the Reconsideration Officer, the bidder will be sent a written decision within ten working days after receipt of the request for consideration, explaining the basis for finding that the bidder did or did not meet the goal or make adequate good faith efforts to do so. A final decision by the Reconsideration Officer that a good faith effort was made shall approve the Utilization Plan submitted by the bidder and shall clear the contract for award. A final decision that a good faith effort was not made shall render the bid not responsive.

CALCULATING DBE PARTICIPATION. The Utilization Plan values represent work anticipated to be performed and paid for upon satisfactory completion. The Department is only able to count toward the achievement of the overall goal and the contract goal the value of payments made for the work actually performed by DBE companies. In addition, a DBE must perform a commercially useful function on the contract to be counted. A commercially useful function is generally performed when the DBE is responsible for the work and is carrying out its responsibilities by actually performing, managing, and supervising the work involved. The Department and Contractor are governed by the provisions of 49 CFR Part 26.55(c) on questions of commercially useful functions as it affects the work. Specific counting guidelines are provided in 49 CFR Part 26.55, the provisions of which govern over the summary contained herein.

- (a) DBE as the Contractor: 100 percent goal credit for that portion of the work performed by the DBE's own forces, including the cost of materials and supplies. Work that a DBE subcontracts to a non-DBE does not count toward the DBE goals.
- (b) DBE as a joint venture Contractor: 100 percent goal credit for that portion of the total dollar value of the contract equal to the distinct, clearly defined portion of the work performed by the DBE's own forces.
- (c) DBE as a subcontractor: 100 percent goal credit for the work of the subcontract performed by the DBE's own forces, including the cost of materials and supplies, excluding the purchase of materials and supplies or the lease of equipment by the DBE subcontractor from the prime Contractor or its affiliates. Work that a DBE subcontractor in turn subcontracts to a non-DBE does not count toward the DBE goal.

(d) DBE as a trucker: 100 percent goal credit for trucking participation provided the DBE is responsible for the management and supervision of the entire trucking operation for which it is responsible. At least one truck owned, operated, licensed, and insured by the DBE must be used on the contract. Credit will be given for the following:

- (1) The DBE may lease trucks from another DBE firm, including an owner-operator who is certified as a DBE. The DBE who leases trucks from another DBE receives credit for the total value of the transportation services the lessee DBE provides on the contract.
- (2) The DBE may also lease trucks from a non-DBE firm, including from an owner-operator. The DBE who leases trucks from a non-DBE is entitled to credit only for the fee or commission is receives as a result of the lease arrangement.

(e) DBE as a material supplier:

- (1) 60 percent goal credit for the cost of the materials or supplies purchased from a DBE regular dealer.
- (2) 100 percent goal credit for the cost of materials of supplies obtained from a DBE manufacturer.
- (3) 100 percent credit for the value of reasonable fees and commissions for the procurement of materials and supplies if not a regular dealer or manufacturer.

CONTRACT COMPLIANCE. Compliance with this Special Provision is an essential part of the contract. The Department is prohibited by federal regulations from crediting the participation of a DBE included in the Utilization Plan toward either the contract goal or the Department's overall goal until the amount to be applied toward the goals has been paid to the DBE. The following administrative procedures and remedies govern the compliance by the Contractor with the contractual obligations established by the Utilization Plan. After approval of the Utilization Plan and award of the contract, the Utilization Plan and individual DBE Participation Statements become part of the contract. If the Contractor did not succeed in obtaining enough DBE participation to achieve the advertised contract goal, and the Utilization Plan was approved and contract awarded based upon a determination of good faith, the total dollar value of DBE work calculated in the approved Utilization Plan as a percentage of the awarded contract value shall become the amended contract goal. All work indicated for performance by an approved DBE shall be performed, managed, and supervised by the DBE executing the Participation Statement.

(a) **NO AMENDMENT.** No amendment to the Utilization Plan may be made without prior written approval from the Department's Bureau of Small Business Enterprises. All requests for amendment to the Utilization Plan shall be submitted to the Department of Transportation, Bureau of Small Business Enterprises, Contract Compliance Section, 2300 South Dirksen Parkway, Room 319, Springfield, Illinois 62764. Telephone number (217)785-4611. Telefax number (217)785-1524.

- (b) TERMINATION OR REPLACEMENT. The Contractor shall not terminate or replace a DBE listed on the approved Utilization Plan, or perform with other forces work designated for a listed DBE except as provided in the Special Provision.
- (c) CHANGES TO WORK. Any deviation from the DBE condition-of-award or contract plans, specifications, or special provisions must be approved, in writing, by the Department as provided elsewhere in the Contract. The Contractor shall notify affected DBEs in writing of any changes in the scope of work which result in a reduction in the dollar amount condition-of-award to the contract. Where the revision includes work committed to a new DBE subcontractor, not previously involved in the project, then a Request for Approval of Subcontractor, Department form BC 260A, must be signed and submitted. If the commitment of work is in the form of additional tasks assigned to an existing subcontract, then a new Request for Approval of Subcontractor shall not be required. However, the Contractor must document efforts to assure that the existing DBE subcontractor is capable of performing the additional work and has agreed in writing to the change.
- (d) ALTERNATIVE WORK METHODS. In addition to the above requirements for reductions in the condition of award, additional requirements apply to the two cases of Contractor-initiated work substitution proposals. Where the contract allows alternate work methods which serve to delete or create underruns in condition of award DBE work, and the Contractor selects that alternate method or, where the Contractor proposes a substitute work method or material that serves to diminish or delete work committed to a DBE and replace it with other work, then the Contractor must demonstrate one of the following:
- (1) That the replacement work will be performed by the same DBE (as long as the DBE is certified in the respective item of work) in a modification of the condition of award; or
 - (2) That the DBE is aware that its work will be deleted or will experience underruns and has agreed in writing to the change. If this occurs, the Contractor shall substitute other work of equivalent value to a certified DBE or provide documentation of good faith efforts to do so; or
 - (3) That the DBE is not capable of performing the replacement work or has declined to perform the work at a reasonable competitive price. If this occurs, the Contractor shall substitute other work of equivalent value to a certified DBE or provide documentation of good faith efforts to do so.

(e) TERMINATION AND REPLACEMENT PROCEDURES. The Contractor shall not terminate or replace a DBE subcontractor listed in the approved Utilization Plan without prior written consent. This includes, but is not limited to, instances in which the Contractor seeks to perform work originally designated for a DBE subcontractor with its own forces or those of an affiliate, a non-DBE firm, or with another DBE firm. Written consent will be granted only if the Bureau of Small Business Enterprises agrees, for reasons stated in its concurrence document, that the Contractor has good cause to terminate or replace the DBE firm. Before transmitting to the Bureau of Small Business Enterprises any request to terminate and/or substitute a DBE subcontractor, the Contractor shall give notice in writing to the DBE subcontractor, with a copy to the Bureau, of its intent to request to terminate and/or substitute, and the reason for the request. The Contractor shall give the DBE five days to respond to the Contractor's notice. The DBE so notified shall advise the Bureau and the Contractor of the reasons, if any, why it objects to the proposed termination of its subcontract and why the Bureau should not approve the Contractor's action. If required in a particular case as a matter of public necessity, the Bureau may provide a response period shorter than five days.

For purposes of this paragraph, good cause includes the following circumstances:

- (1) The listed DBE subcontractor fails or refuses to execute a written contract;
- (2) The listed DBE subcontractor fails or refuses to perform the work of its subcontract in a way consistent with normal industry standards. Provided, however, that good cause does not exist if the failure or refusal of the DBE subcontractor to perform its work on the subcontract results from the bad faith or discriminatory action of the prime contractor;
- (3) The listed DBE subcontractor fails or refuses to meet the prime Contractor's reasonable, nondiscriminatory bond requirements;
- (4) The listed DBE subcontractor becomes bankrupt, insolvent, or exhibits credit unworthiness;
- (5) The listed DBE subcontractor is ineligible to work on public works projects because of suspension and debarment proceedings pursuant 2 CFR Parts 180, 215 and 1,200 or applicable state law.
- (6) You have determined that the listed DBE subcontractor is not a responsible contractor;
- (7) The listed DBE subcontractor voluntarily withdraws from the projects and provides to you written notice of its withdrawal;
- (8) The listed DBE is ineligible to receive DBE credit for the type of work required;
- (9) A DBE owner dies or becomes disabled with the result that the listed DBE contractor is unable to complete its work on the contract;

- (10) Other documented good cause that compels the termination of the DBE subcontractor. Provided, that good cause does not exist if the prime Contractor seeks to terminate a DBE it relied upon to obtain the contract so that the prime Contractor can self-perform the work for which the DBE contractor was engaged or so that the prime Contractor can substitute another DBE or non-DBE contractor after contract award.

When a DBE is terminated, or fails to complete its work on the Contract for any reason the Contractor shall make a good faith effort to find another DBE to substitute for the original DBE to perform at least the same amount of work under the contract as the terminated DBE to the extent needed to meet the established Contract goal.

- (f) PAYMENT RECORDS. The Contractor shall maintain a record of payments for work performed to the DBE participants. The records shall be made available to the Department for inspection upon request. After the performance of the final item of work or delivery of material by a DBE and final payment therefore to the DBE by the Contractor, but not later than thirty calendar days after payment has been made by the Department to the Contractor for such work or material, the Contractor shall submit a DBE Payment Agreement on Department form SBE 2115 to the Regional Engineer. If full and final payment has not been made to the DBE, the DBE Payment Agreement shall indicate whether a disagreement as to the payment required exists between the Contractor and the DBE or if the Contractor believes that the work has not been satisfactorily completed. If the Contractor does not have the full amount of work indicated in the Utilization Plan performed by the BDE companies indicated in the Utilization Plan and after good faith efforts are reviewed, the Department may deduct from contract payments to the Contractor the amount of the goal not achieved as liquidated and ascertained damages. The Contractor may request an administrative reconsideration of any amount deducted as damages pursuant to subsection (h) of this part.
- (g) ENFORCEMENT. The Department reserves the right to withhold payment to the Contractor to enforce the provisions of this Special Provision. Final payment shall not be made on the contract until such time as the Contractor submits sufficient documentation demonstrating achievement of the goal in accordance with this Special Provision or after liquidated damages have been determined and collected.
- (h) RECONSIDERATION. Notwithstanding any other provision of the contract, including but not limited to Article 109.09 of the Standard Specifications, the Contractor may request administrative reconsideration of a decision to deduct the amount of the goal not achieved as liquidated damages. A request to reconsider shall be delivered to the Contract Compliance Section and shall be handled and considered in the same manner as set forth in paragraph (c) of "Good Faith Effort Procedures" of this Special Provision, except a final decision that a good faith effort was not made during contract performance to achieve the goal agreed to in the Utilization Plan shall be the final administrative decision of the Department.

FRICITION AGGREGATE (BDE)

Effective: January 1, 2011

Revise Article 1004.01(a)(4) of the Standard Specifications to read:

- “ (4) Crushed Stone. Crushed stone shall be the angular fragments resulting from crushing undisturbed, consolidated deposits of rock by mechanical means. Crushed stone shall be divided into the following, when specified.
- a. Carbonate Crushed Stone. Carbonate crushed stone shall be either dolomite or limestone. Dolomite shall contain 11.0 percent or more magnesium oxide (MgO). Limestone shall contain less than 11.0 percent magnesium oxide (MgO).
 - b. Crystalline Crushed Stone. Crystalline crushed stone shall be either metamorphic or igneous stone, including but is not limited to, quartzite, granite, rhyolite and diabase.”

Revise Article 1004.03(a) of the Standard Specifications to read:

“1004.03 Coarse Aggregate for Hot-Mix Asphalt (HMA). The aggregate shall be according to Article 1004.01 and the following.

(a) Description. The coarse aggregate for HMA shall be according to the following table.

Use	Mixture	Aggregates Allowed
Class A	Seal or Cover	<u>Allowed Alone or in Combination:</u> Gravel Crushed Gravel Carbonate Crushed Stone Crystalline Crushed Stone Crushed Sandstone Crushed Slag (ACBF) Crushed Steel Slag Crushed Concrete
HMA All Other	Stabilized Subbase or Shoulders	<u>Allowed Alone or in Combination:</u> Gravel Crushed Gravel Carbonate Crushed Stone Crystalline Crushed Stone Crushed Sandstone Crushed Slag (ACBF) Crushed Steel Slag ^{1/} Crushed Concrete
HMA High ESAL Low ESAL	Binder IL-25.0, IL-19.0, or IL-19.0L SMA Binder	<u>Allowed Alone or in Combination:</u> Crushed Gravel Carbonate Crushed Stone ^{2/} Crystalline Crushed Stone Crushed Sandstone Crushed Slag (ACBF) Crushed Concrete ^{3/}

Use	Mixture	Aggregates Allowed	
HMA High ESAL Low ESAL	C Surface and Leveling Binder IL-12.5, IL-9.5, or IL-9.5L SMA Ndesign 50 Surface	<u>Allowed Alone or in Combination:</u> Crushed Gravel Carbonate Crushed Stone ^{2/} Crystalline Crushed Stone Crushed Sandstone Crushed Slag (ACBF) Crushed Steel Slag ^{4/} Crushed Concrete ^{3/}	
HMA High ESAL	D Surface and Leveling Binder IL-12.5 or IL-9.5 SMA Ndesign 50 Surface	<u>Allowed Alone or in Combination:</u> Crushed Gravel Carbonate Crushed Stone (other than Limestone) ^{2/} Crystalline Crushed Stone Crushed Sandstone Crushed Slag (ACBF) ^{5/} Crushed Steel Slag ^{4/ 5/} Crushed Concrete ^{3/}	
		<u>Other Combinations Allowed:</u>	
		<i>Up to...</i>	<i>With...</i>
		25% Limestone	Dolomite
		50% Limestone	Any Mixture D aggregate other than Dolomite
		75% Limestone	Crushed Slag (ACBF) ^{5/} or Crushed Sandstone
HMA High ESAL	E Surface IL-12.5 or IL-9.5 SMA Ndesign 80 Surface	<u>Allowed Alone or in Combination:</u> Crushed Gravel Crystalline Crushed Stone Crushed Sandstone Crushed Slag (ACBF) ^{5/} Crushed Steel Slag ^{5/} Crushed Concrete ^{3/} No Limestone.	
		<u>Other Combinations Allowed:</u>	
		<i>Up to...</i>	<i>With...</i>
		50% Dolomite ^{2/}	Any Mixture E aggregate
		75% Dolomite ^{2/}	Crushed Sandstone, Crushed Slag (ACBF) ^{5/} , Crushed Steel Slag ^{5/} , or Crystalline Crushed Stone

Use	Mixture	Aggregates Allowed	
		75% Crushed Gravel or Crushed Concrete ^{3/}	Crushed Sandstone, Crystalline Crushed Stone, Crushed Slag (ACBF) ^{5/} , or Crushed Steel Slag ^{5/}
HMA High ESAL	F Surface IL-12.5 or IL-9.5 SMA Ndesign 80 Surface	<u>Allowed Alone or in Combination:</u> Crystalline Crushed Stone Crushed Sandstone Crushed Slag (ACBF) ^{5/} Crushed Steel Slag ^{5/} No Limestone.	
		<u>Other Combinations Allowed:</u>	
		<i>Up to...</i>	<i>With...</i>
		50% Crushed Gravel, Crushed Concrete ^{3/} , or Dolomite ^{2/}	Crushed Sandstone, Crushed Slag (ACBF) ^{5/} , Crushed Steel Slag ^{5/} , or Crystalline Crushed Stone

- 1/ Crushed steel slag allowed in shoulder surface only.
- 2/ Carbonate crushed stone shall not be used in SMA Ndesign 80. In SMA Ndesign 50, carbonate crushed stone shall not be blended with any of the other aggregates allowed alone in Ndesign 50 SMA binder or Ndesign 50 SMA surface.
- 3/ Crushed concrete will not be permitted in SMA mixes.
- 4/ Crushed steel slag shall not be used as leveling binder.
- 5/ When either slag is used, the blend percentages listed shall be by volume.”

GRANULAR MATERIALS (BDE)

Effective: November 1, 2012

Revise the title of Article 1003.04 of the Standard Specifications to read:

“1003.04 Fine Aggregate for Bedding, Trench Backfill, Embankment, Porous Granular Backfill, Sand Backfill for Underdrains, and French Drains.”

Revise Article 1003.04(c) of the Standard Specifications to read:

“(c) Gradation. The fine aggregate gradations for granular embankment, granular backfill, bedding, and trench backfill for pipe culverts and storm sewers shall be FA 1, FA 2, or FA 6 through FA 21.

The fine aggregate gradation for porous granular embankment, porous granular backfill, french drains, and sand backfill for underdrains shall be FA 1, FA 2, or FA 20, except the percent passing the No. 200 (75 µm) sieve shall be 2±2.”

Revise Article 1004.05(c) of the Standard Specifications to read:

“(c) Gradation. The coarse aggregate gradations shall be as follows.

Application	Gradation
Blotter	CA 15
Granular Embankment, Granular Backfill, Bedding, and Trench Backfill for Pipe Culverts and Storm Sewers	CA 6, CA 9, CA 10, CA 12, CA17, CA18, and CA 19
Porous Granular Embankment, Porous Granular Backfill, and French Drains	CA 7, CA 8, CA 11, CA 15, CA 16 and CA 18”

HOT-MIX ASPHALT – MIXTURE DESIGN COMPOSITION AND VOLUMETRIC REQUIREMENTS (BDE)

Effective: November 1, 2013

Revise Article 406.14(b) of the Standard Specifications to read.

“(b) If the HMA placed during the initial test strip (1) is determined to be unacceptable to remain in place by the Engineer, and (2) was not produced within 2.0 to 6.0 percent air voids or within the individual control limits of the JMF, the mixture and test strip will not be paid for and the mixture shall be removed at the Contractor’s expense. An additional test strip and mixture will be paid for in full, if produced within 2.0 to 6.0 percent air voids and within the individual control limits of the JMF.”

Revise Article 406.14(c) of the Standard Specifications to read.

“(c) If the HMA placed during the initial test strip (1) is determined to be unacceptable to remain in place by the Engineer, and (2) was produced within 2.0 to 6.0 percent air voids and within the individual control limits of the JMF, the mixture shall be removed. Removal will be paid in accordance to Article 109.04. This initial mixture and test strip will be paid for at the contract unit prices. The additional mixture will be paid for at the contract unit price, and any additional test strips will be paid for at one half the unit price of each test strip.”

Revise Article 1030.04(a)(1) of the Standard Specifications to read.

“(1) High ESAL Mixtures. The Job Mix Formula (JMF) shall fall within the following limits.

High ESAL, MIXTURE COMPOSITION (% PASSING) ^{1/}										
Sieve Size	IL-25.0 mm		IL-19.0 mm		IL-12.5 mm		IL-9.5 mm		IL-4.75 mm	
	min	max	min	max	min	max	min	max	min	max
1 1/2 in. (37.5 mm)		100								
1 in. (25 mm)	90	100		100						
3/4 in. (19 mm)		90	82	100		100				
1/2 in. (12.5 mm)	45	75	50	85	90	100		100		100
3/8 in. (9.5 mm)						89	90	100		100
#4 (4.75 mm)	24	42 ^{2/}	24	50 ^{2/}	28	65	32	69	90	100
#8 (2.36 mm)	16	31	20	36	28	48 ^{3/}	32	52 ^{3/}	70	90
#16 (1.18 mm)	10	22	10	25	10	32	10	32	50	65
#50 (300 μm)	4	12	4	12	4	15	4	15	15	30
#100 (150 μm)	3	9	3	9	3	10	3	10	10	18
#200 (75 μm)	3	6	3	6	4	6	4	6	7	9
Ratio Dust/Asphalt Binder		1.0		1.0		1.0		1.0		1.0 ^{4/}

1/ Based on percent of total aggregate weight.

2/ The mixture composition shall not exceed 40 percent passing the #4 (4.75 mm) sieve for binder courses with Ndesign ≥ 90.

3/ The mixture composition shall not exceed 44 percent passing the #8 (2.36 mm) sieve for surface courses with Ndesign ≥ 90.

4/ Additional minus No. 200 (0.075 mm) material required by the mix design shall be mineral filler, unless otherwise approved by the Engineer.”

Delete Article 1030.04(a)(4) of the Standard Specifications.

Revise Article 1030.04(b)(1) of the Standard Specifications to read.

“(1) High ESAL Mixtures. The target value for the air voids of the HMA shall be 4.0 percent at the design number of gyrations. The VMA and VFA of the HMA design shall be based on the nominal maximum size of the aggregate in the mix, and shall conform to the following requirements.

VOLUMETRIC REQUIREMENTS						
High ESAL						
Ndesign	Voids in the Mineral Aggregate (VMA), % minimum					Voids Filled with Asphalt Binder (VFA), %
	IL-25.0	IL-19.0	IL-12.5	IL-9.5	IL-4.75 ^{1/}	
50	12.0	13.0	14.0	15.0	18.5	65 – 78 ^{2/}
70					65 - 75	
90						
105						

1/ Maximum Draindown for IL-4.75 shall be 0.3 percent

2/ VFA for IL-4.75 shall be 76-83 percent”

Delete Article 1030.04(b)(4) of the Standard Specifications.

Revise the Control Limits Table in Article 1030.05(d)(4) of the Standard Specifications to read.

“CONTROL LIMITS					
Parameter	High ESAL Low ESAL	High ESAL Low ESAL	All Other	IL-4.75	IL-4.75
	Individual Test	Moving Avg. of 4	Individual Test	Individual Test	Moving Avg. of 4
% Passing: ^{1/}					
1/2 in. (12.5 mm)	± 6 %	± 4 %	± 15 %		
No. 4 (4.75 mm)	± 5 %	± 4 %	± 10 %		
No. 8 (2.36 mm)	± 5 %	± 3 %			
No. 16 (1.18 mm)				± 4 %	± 3 %
No. 30 (600 µm)	± 4 %	± 2.5 %			
Total Dust Content No. 200 (75 µm)	± 1.5 %	± 1.0 %	± 2.5 %	± 1.5 %	± 1.0 %
Asphalt Binder Content	± 0.3 %	± 0.2 %	± 0.5 %	± 0.3 %	± 0.2 %
Voids	± 1.2 %	± 1.0 %	± 1.2 %	± 1.2 %	± 1.0 %
VMA	-0.7 % ^{2/}	-0.5 % ^{2/}		-0.7 % ^{2/}	-0.5 % ^{2/}

1/ Based on washed ignition oven

2/ Allowable limit below minimum design VMA requirement”

HOT-MIX ASPHALT – MIXTURE DESIGN VERIFICATION AND PRODUCTION (BDE)

Effective: November 1, 2013

Description. This special provision provides the requirements for Hamburg Wheel and tensile strength testing for High ESAL, IL-4.75, and Stone Matrix Asphalt (SMA) hot-mix asphalt (HMA) mixes during mix design verification and production. This special provision also provides the plant requirements for hydrated lime addition systems used in the production of High ESAL, IL-4.75, and SMA mixes.

Mix Design Testing. Add the following to Article 1030.04 of the Standard Specifications:

“(d) Verification Testing. High ESAL, IL-4.75, and SMA mix designs submitted for verification will be tested to ensure that the resulting mix designs will pass the required criteria for the Hamburg Wheel Test (Illinois Modified AASHTO T 324) and the Tensile Strength Test (Illinois Modified AASHTO T 283). The Department will perform a verification test on gyratory specimens compacted by the Contractor. If the mix fails the Department’s verification test, the Contractor shall make necessary changes to the mix and provide passing Hamburg Wheel and tensile strength test results from a private lab. The Department will verify the passing results.

All new and renewal mix designs shall meet the following requirements for verification testing.

(1) Hamburg Wheel Test Criteria. The maximum allowable rut depth shall be 0.5 in. (12.5 mm). The minimum number of wheel passes at the 0.5 in. (12.5 mm) rut depth criteria shall be based on the high temperature binder grade of the mix as specified in the mix requirements table of the plans.

Illinois Modified AASHTO T 324 Requirements ^{1/}

PG Grade	Number of Passes
PG 58-xx (or lower)	5,000
PG 64-xx	7,500
PG 70-xx	15,000
PG 76-xx (or higher)	20,000

1/ When produced at temperatures of 275 ± 5 °F (135 ± 3 °C) or less, loose Warm Mix Asphalt shall be oven aged at 270 ± 5 °F (132 ± 3 °C) for two hours prior to gyratory compaction of Hamburg Wheel specimens.

(2) Tensile Strength Criteria. The minimum allowable conditioned tensile strength shall be 415 kPa (60 psi) for non-polymer modified performance graded (PG) asphalt binder and 550 kPa (80 psi) for polymer modified PG asphalt binder. The maximum allowable unconditioned tensile strength shall be 1380 kPa (200 psi).”

Production Testing. Revise Article 1030.06(a) of the Standard Specifications to read:

“(a) High ESAL, IL-4.75 and SMA Mixtures. For each contract, a 300 ton (275 metric tons) test strip will be required at the beginning of HMA production for each mixture with a quantity of 3000 tons (2750 metric tons) or more according to the Manual of Test Procedures for Materials “Hot Mix Asphalt Test Strip Procedures”.

Before start-up, target values shall be determined by applying gradation correction factors to the JMF when applicable. These correction factors shall be determined from previous experience. The target values, when approved by the Engineer, shall be used to control HMA production. Plant settings and control charts shall be set according to target values.

Before constructing the test strip, target values shall be determined by applying gradation correction factors to the JMF when applicable. After any JMF adjustment, the JMF shall become the Adjusted Job Mix Formula (AJMF). Upon completion of the first acceptable test strip, the JMF shall become the AJMF regardless of whether or not the JMF has been adjusted. If an adjustment/plant change is made, the Engineer may require a new test strip to be constructed. If the HMA placed during the initial test strip is determined to be unacceptable to remain in place by the Engineer, it shall be removed and replaced.

The limitations between the JMF and AJMF are as follows.

Parameter	Adjustment
1/2 in. (12.5 mm)	± 5.0 %
No. 4 (4.75 mm)	± 4.0 %
No. 8 (2.36 mm)	± 3.0 %
No. 30 (600 µm)	*
No. 200 (75 µm)	*
Asphalt Binder Content	± 0.3 %

* In no case shall the target for the amount passing be greater than the JMF.

Any adjustments outside the above limitations will require a new mix design.

Mixture sampled to represent the test strip shall include additional material sufficient for the Department to conduct Hamburg Wheel testing according to Illinois Modified AASHTO T324 (approximately 60 lb (27 kg) total).

The Contractor shall immediately cease production upon notification by the Engineer of failing Hamburg Wheel test. All prior produced material may be paved out provided all other mixture criteria is being met. No additional mixture shall be produced until the Engineer receives passing Hamburg Wheel tests.

The Department may conduct additional Hamburg Wheel tests on production material as determined by the Engineer.”

Revise the title of Article 1030.06(b) of the Standard Specifications to read:

“(b) Low ESAL and All Other Mixtures.”

System for Hydrated Lime Addition. Revise the fourth sentence of the third paragraph of Article 1030.04(c) of the Standard Specifications to read:

“The method of application shall be according to Article 1102.01(a)(10).”

Replace the first three sentences of the second paragraph of Article 1102.01(a)(10) of the Standard Specifications to read:

“When hydrated lime is used as the anti-strip additive, a separate bin or tank and feeder system shall be provided to store and accurately proportion the lime onto the aggregate either as a slurry, as dry lime applied to damp aggregates, or as dry lime injected onto the hot aggregates prior to adding the liquid asphalt cement. If the hydrated lime is added either as a slurry or as dry lime on damp aggregates, the lime and aggregates shall be mixed by a power driven pugmill to provide a uniform coating of the lime prior to entering the dryer. If dry hydrated lime is added to the hot dry aggregates in a dryer-drum plant, the lime shall be added in such a manner that the lime will not become entrained into the air stream of the dryer-drum and that thorough dry mixing shall occur prior to the injection point of the liquid asphalt. When a batch plant is used, the hydrated lime shall be added to the mixture in the weigh hopper or as approved by the Engineer.”

Basis of Payment. Replace the seventh paragraph of Article 406.14 of the Standard Specifications with the following:

“For mixes designed and verified under the Hamburg Wheel criteria, the cost of furnishing and introducing anti-stripping additives in the HMA will not be paid for separately, but shall be considered as included in the contract unit price of the HMA item involved.

If an anti-stripping additive is required for any other HMA mix, the cost of the additive will be paid for according to Article 109.04. The cost incurred in introducing the additive into the HMA will not be paid for separately, but shall be considered as included in the contract unit price of the HMA item involved.

No additional compensation will be awarded to the Contractor because of reduced production rates associated with the addition of the anti-stripping additive.”

PAVEMENT PATCHING (BDE)

Effective: January 1, 2010

Revise the first sentence of the second paragraph of Article 701.17(e)(1) of the Standard Specifications to read:

“In addition to the traffic control and protection shown elsewhere in the contract for pavement, two devices shall be placed immediately in front of each open patch, open hole, and broken pavement where temporary concrete barriers are not used to separate traffic from the work area.”

PAYROLLS AND PAYROLL RECORDS (BDE)

Effective: January 1, 2014

FEDERAL AID CONTRACTS. Revise the following section of Check Sheet #1 of the Recurring Special Provisions to read:

“STATEMENTS AND PAYROLLS

The payroll records shall include the worker’s name, the worker’s address, the worker’s telephone number when available, the worker’s social security number, the worker’s classification or classifications, the worker’s gross and net wages paid in each pay period, the worker’s number of hours worked each day, the worker’s starting and ending times of work each day. However, any Contractor or subcontractor who remits contributions to a fringe benefit fund that is not jointly maintained and jointly governed by one or more employers and one or more labor organization must additionally submit the worker’s hourly wage rate, the worker’s hourly overtime wage rate, the worker’s hourly fringe benefit rates, the name and address of each fringe benefit fund, the plan sponsor of each fringe benefit, if applicable, and the plan administrator of each fringe benefit, if applicable.

The Contractor and each subcontractor shall submit payroll records to the Engineer each week from the start to the completion of their respective work, except that full social security numbers and home addresses shall not be included on weekly transmittals. Instead, the payrolls shall include an identification number for each employee (e.g., the last four digits of the employee’s social security number). In addition, starting and ending times of work each day may be omitted from the payroll records submitted to the Engineer. The submittals shall be on the Department’s form SBE 48, or an approved facsimile. When there has been no activity during a work week, a payroll record shall still be submitted with the appropriate box (“No Work”, “Suspended”, or “Complete”) checked on the form.”

STATE CONTRACTS. Revise Section IV of Check Sheet #5 of the Recurring Special Provisions to read:

“IV. COMPLIANCE WITH THE PREVAILING WAGE ACT

1. **Prevailing Wages.** All wages paid by the Contractor and each subcontractor shall be in compliance with The Prevailing Wage Act (820 ILCS 130), as amended, except where a prevailing wage violates a federal law, order, or ruling, the rate conforming to the federal law, order, or ruling shall govern. The Contractor shall be responsible to notify each subcontractor of the wage rates set forth in this contract and any revisions thereto. If the Department of Labor revises the wage rates, the Contractor will not be allowed additional compensation on account of said revisions.
2. **Payroll Records.** The Contractor and each subcontractor shall make and keep, for a period of five years from the later of the date of final payment under the contract or completion of the contract, records of the wages paid to his/her workers. The payroll records shall include the worker's name, the worker's address, the worker's telephone number when available, the worker's social security number, the worker's classification or classifications, the worker's gross and net wages paid in each pay period, the worker's number of hours worked each day, the worker's starting and ending times of work each day. However, any contractor or subcontractor who remits contributions to a fringe benefit fund that is not jointly maintained and jointly governed by one or more employers and one or more labor organization must additionally submit the worker's hourly wage rate, the worker's hourly overtime wage rate, the worker's hourly fringe benefit rates, the name and address of each fringe benefit fund, the plan sponsor of each fringe benefit, if applicable, and the plan administrator of each fringe benefit, if applicable. Upon seven business days' notice, these records shall be available at a location within the State, during reasonable hours, for inspection by the Department or the Department of Labor; and Federal, State, or local law enforcement agencies and prosecutors.
3. **Submission of Payroll Records.** The Contractor and each subcontractor shall submit payroll records to the Engineer each week from the start to the completion of their respective work, except that full social security numbers and home addresses shall not be included on weekly transmittals. Instead the payrolls shall include an identification number for each employee (e.g., the last four digits of the employee's social security number). In addition, starting and ending times of work each day may be omitted from the payroll records submitted to the Engineer. The submittals shall be on the Department's form SBE 48, or an approved facsimile. When there has been no activity during a work week, a payroll record shall still be submitted with the appropriate box (“No Work”, “Suspended”, or “Complete”) checked on the form.

Each submittal shall be accompanied by a statement signed by the Contractor or subcontractor, or an officer, employee, or officer thereof, which avers that: (i) he or she has examined the records and such records are true and accurate; (ii) the hourly rate paid to each worker is not less than the general prevailing rate of hourly wages required by the Act; and (iii) the Contractor or subcontractor is aware that filing a payroll record that he/she knows to be false is a Class A misdemeanor.

4. Employee Interviews. The Contractor and each subcontractor shall permit his/her employees to be interviewed on the job, during working hours, by compliance investigators of the Department or the Department of Labor.”

PORTLAND CEMENT CONCRETE EQUIPMENT (BDE)

Effective: November 1, 2013

Add the following to the first paragraph of Article 1103.03(a)(5) of the Standard Specifications to read:

“As an alternative to a locking key, the start and finish time for mixing may be automatically printed on the batch ticket. The start and finish time shall be reported to the nearest second.”

PROGRESS PAYMENTS (BDE)

Effective: November 2, 2013

Revise Article 109.07(a) of the Standard Specifications to read:

- “(a) Progress Payments. At least once each month, the Engineer will make a written estimate of the quantity of work performed in accordance with the contract, and the value thereof at the contract unit prices. The amount of the estimate approved as due for payment will be vouchered by the Department and presented to the State Comptroller for payment. No amount less than \$1000.00 will be approved for payment other than the final payment.

Progress payments may be reduced by liens filed pursuant to Section 23(c) of the Mechanics' Lien Act, 770 ILCS 60/23(c).

If a Contractor or subcontractor has defaulted on a loan issued under the Department's Disadvantaged Business Revolving Loan Program (20 ILCS 2705/2705-610), progress payments may be reduced pursuant to the terms of that loan agreement. In such cases, the amount of the estimate related to the work performed by the Contractor or subcontractor, in default of the loan agreement, will be offset, in whole or in part, and vouchered by the Department to the Working Capital Revolving Fund or designated escrow account. Payment for the work shall be considered as issued and received by the Contractor or subcontractor on the date of the offset voucher. Further, the amount of the offset voucher shall be a credit against the Department's obligation to pay the Contractor, the Contractor's obligation to pay the subcontractor, and the Contractor's or subcontractor's total loan indebtedness to the Department. The offset shall continue until such time as the entire loan indebtedness is satisfied. The Department will notify the Contractor and Fund Control Agent in a timely manner of such offset. The Contractor or subcontractor shall not be entitled to additional payment in consideration of the offset.

The failure to perform any requirement, obligation, or term of the contract by the Contractor shall be reason for withholding any progress payments until the Department determines that compliance has been achieved.”

QUALITY CONTROL/QUALITY ASSURANCE OF CONCRETE MIXTURES (BDE)

Effective: January 1, 2012

Revised: January 1, 2014

Revise Note 7/ of Schedule B of Recurring Special Provision Check Sheet #31 of the Standard Specifications to read:

- 7/ The test of record for strength shall be the day indicated in Article 1020.04. For cement aggregate mixture II, a strength requirement is not specified and testing is not required. Additional strength testing to determine early falsework and form removal, early pavement or bridge opening to traffic, or to monitor strengths is at the discretion of the Contractor. Strength shall be defined as the average of two 6 x 12 in. (150 x 300 mm) cylinder breaks, three 4 x 8 in. (100 x 200 mm) cylinder breaks, or two beam breaks for field tests. Per Illinois Modified AASHTO T 23, cylinders shall be 6 x 12 in. (150 x 300 mm) when the nominal maximum size of the coarse aggregate exceeds 1 in. (25 mm).

RECLAIMED ASPHALT PAVEMENT AND RECLAIMED ASPHALT SHINGLES (BDE)

Effective: November 1, 2012

Revise: April 1, 2014

Revise Section 1031 of the Standard Specifications to read:

“SECTION 1031. RECLAIMED ASPHALT PAVEMENT AND RECLAIMED ASPHALT SHINGLES

1031.01 Description. Reclaimed asphalt pavement and reclaimed asphalt shingles shall be according to the following.

- (a) Reclaimed Asphalt Pavement (RAP). RAP is the material produced by cold milling or crushing an existing hot-mix asphalt (HMA) pavement. The Contractor shall supply written documentation that the RAP originated from routes or airfields under federal, state, or local agency jurisdiction.
- (b) Reclaimed Asphalt Shingles (RAS). Reclaimed asphalt shingles (RAS). RAS is from the processing and grinding of preconsumer or post-consumer shingles. RAS shall be a clean and uniform material with a maximum of 0.5 percent unacceptable material, as defined in Bureau of Materials and Physical Research Policy Memorandum “Reclaimed Asphalt Shingle (RAS) Sources”, by weight of RAS. All RAS used shall come from a Bureau of Materials and Physical Research approved processing facility where it shall be ground and processed to 100 percent passing the 3/8 in. (9.5 mm) sieve and 93 percent passing the #4 (4.75 mm) sieve based on a dry shake gradation. RAS shall be uniform in gradation and asphalt binder content and shall meet the testing requirements specified herein. In addition, RAS shall meet the following Type 1 or Type 2 requirements.

- (1) Type 1. Type 1 RAS shall be processed, preconsumer asphalt shingles salvaged from the manufacture of residential asphalt roofing shingles.
- (2) Type 2. Type 2 RAS shall be processed post-consumer shingles only, salvaged from residential, or four unit or less dwellings not subject to the National Emission Standards for Hazardous Air Pollutants (NESHAP).

1031.02 Stockpiles. RAP and RAS stockpiles shall be according to the following.

- (a) RAP Stockpiles. The Contractor shall construct individual, sealed RAP stockpiles meeting one of the following definitions. No additional RAP shall be added to the pile after the pile has been sealed. Stockpiles shall be sufficiently separated to prevent intermingling at the base. Stockpiles shall be identified by signs indicating the type as listed below (i.e. "Homogeneous Surface").

Prior to milling, the Contractor shall request the District provide documentation on the quality of the RAP to clarify the appropriate stockpile.

- (1) Fractionated RAP (FRAP). FRAP shall consist of RAP from Class I, HMA (High and Low ESAL) mixtures. The coarse aggregate in FRAP shall be crushed aggregate and may represent more than one aggregate type and/or quality but shall be at least C quality. All FRAP shall be fractionated prior to testing by screening into a minimum of two size fractions with the separation occurring on or between the #4 (4.75 mm) and 1/2 in. (12.5 mm) sieves. Agglomerations shall be minimized such that 100 percent of the RAP shall pass the sieve size specified below for the mix into which the FRAP will be incorporated.

Mixture FRAP will be used in:	Sieve Size that 100% of FRAP Shall Pass
IL-25.0	2 in. (50 mm)
IL-19.0	1 1/2 in. (40 mm)
IL-12.5	1 in. (25 mm)
IL-9.5	3/4 in. (20 mm)
IL-4.75	1/2 in. (13 mm)

- (2) Homogeneous. Homogeneous RAP stockpiles shall consist of RAP from Class I, HMA (High and Low ESAL) mixtures and represent: 1) the same aggregate quality, but shall be at least C quality; 2) the same type of crushed aggregate (either crushed natural aggregate, ACBF slag, or steel slag); 3) similar gradation; and 4) similar asphalt binder content. If approved by the Engineer, combined single pass surface/binder millings may be considered "homogenous" with a quality rating dictated by the lowest coarse aggregate quality present in the mixture.

- (3) Conglomerate. Conglomerate RAP stockpiles shall consist of RAP from Class I, HMA (High and Low ESAL) mixtures. The coarse aggregate in this RAP shall be crushed aggregate and may represent more than one aggregate type and/or quality but shall be at least C quality. This RAP may have an inconsistent gradation and/or asphalt binder content prior to processing. All conglomerate RAP shall be processed prior to testing by crushing to where all RAP shall pass the 5/8 in. (16 mm) or smaller screen. Conglomerate RAP stockpiles shall not contain steel slag.
- (4) Conglomerate "D" Quality (DQ). Conglomerate DQ RAP stockpiles shall consist of RAP from Class I, HMA (High or Low ESAL), or "All Other" (as defined by Article 1030.04(a)(3)) mixtures. The coarse aggregate in this RAP may be crushed or round but shall be at least D quality. This RAP may have an inconsistent gradation and/or asphalt binder content. Conglomerate DQ RAP stockpiles shall not contain steel slag.
- (5) Non-Quality. RAP stockpiles that do not meet the requirements of the stockpile categories listed above shall be classified as "Non-Quality".

RAP/FRAP containing contaminants, such as earth, brick, sand, concrete, sheet asphalt, bituminous surface treatment (i.e. chip seal), pavement fabric, joint sealants, etc., will be unacceptable unless the contaminants are removed to the satisfaction of the Engineer. Sheet asphalt shall be stockpiled separately.

- (b) RAS Stockpiles. Type 1 and Type 2 RAS shall be stockpiled separately and shall not be intermingled. Each stockpile shall be signed indicating what type of RAS is present.

Unless otherwise specified by the Engineer, mechanically blending manufactured sand (FM 20 or FM 22) up to an equal weight of RAS with the processed RAS will be permitted to improve workability. The sand shall be "B Quality" or better from an approved Aggregate Gradation Control System source. The sand shall be accounted for in the mix design and during HMA production.

Records identifying the shingle processing facility supplying the RAS, RAS type and lot number shall be maintained by project contract number and kept for a minimum of three years.

1031.03 Testing. RAP/FRAP and RAS testing shall be according to the following.

- (a) RAP/FRAP Testing. When used in HMA, the RAP/FRAP shall be sampled and tested either during or after stockpiling.
 - (1) During Stockpiling. For testing during stockpiling, washed extraction samples shall be run at the minimum frequency of one sample per 500 tons (450 metric tons) for the first 2000 tons (1800 metric tons) and one sample per 2000 tons (1800 metric tons) thereafter. A minimum of five tests shall be required for stockpiles less than 4000 tons (3600 metric tons).

(2) After Stockpiling. For testing after stockpiling, the Contractor shall submit a plan for approval to the District proposing a satisfactory method of sampling and testing the RAP/FRAP pile either in-situ or by restockpiling. The sampling plan shall meet the minimum frequency required above and detail the procedure used to obtain representative samples throughout the pile for testing.

Each sample shall be split to obtain two equal samples of test sample size. One of the two test samples from the final split shall be labeled and stored for Department use. The Contractor shall extract the other test sample according to Department procedure. The Engineer reserves the right to test any sample (split or Department-taken) to verify Contractor test results.

(b) RAS Testing. RAS or RAS blended with manufactured sand shall be sampled and tested during stockpiling according to Illinois Department of Transportation Policy Memorandum, "Reclaimed Asphalt Shingle (RAS) Source".

Samples shall be collected during stockpiling at the minimum frequency of one sample per 200 tons (180 metric tons) for the first 1000 tons (900 metric tons) and one sample per 250 tons (225 metric tons) thereafter. A minimum of five samples are required for stockpiles less than 1000 tons (900 metric tons). Once a ≤ 1000 ton (900 metric ton), five-sample/test stockpile has been established it shall be sealed. Additional incoming RAS or RAS blended with manufactured sand shall be stockpiled in a separate working pile as designated in the Quality Control plan and only added to the sealed stockpile when the test results of the working pile are complete and are found to meet the tolerances specified herein for the original sealed RAS stockpile.

Before testing, each sample shall be split to obtain two test samples. One of the two test samples from the final split shall be labeled and stored for Department use. The Contractor shall perform a washed extraction and test for unacceptable materials on the other test sample according to Department procedures. The Engineer reserves the right to test any sample (split or Department-taken) to verify Contractor test results.

If the sampling and testing was performed at the shingle processing facility in accordance with the QC Plan, the Contractor shall obtain and make available all of the test results from start of the initial stockpile.

1031.04 Evaluation of Tests. Evaluation of tests results shall be according to the following.

- (a) Evaluation of RAP/FRAP Test Results. All of the extraction results shall be compiled and averaged for asphalt binder content and gradation and, when applicable G_{mm} . Individual extraction test results, when compared to the averages, will be accepted if within the tolerances listed below.

Parameter	FRAP/Homogeneous /Conglomerate	Conglomerate "D" Quality
1 in. (25 mm)		± 5 %
1/2 in. (12.5 mm)	± 8 %	± 15 %
No. 4 (4.75 mm)	± 6 %	± 13 %
No. 8 (2.36 mm)	± 5 %	
No. 16 (1.18 mm)		± 15 %
No. 30 (600 µm)	± 5 %	
No. 200 (75 µm)	± 2.0 %	± 4.0 %
Asphalt Binder	± 0.4 % ^{1/}	± 0.5 %
G_{mm}	± 0.03	

1/ The tolerance for FRAP shall be ± 0.3 %.

If more than 20 percent of the individual sieves and/or asphalt binder content tests are out of the above tolerances, the RAP/FRAP shall not be used in HMA unless the RAP/FRAP representing the failing tests is removed from the stockpile. All test data and acceptance ranges shall be sent to the District for evaluation.

With the approval of the Engineer, the ignition oven may be substituted for extractions according to the Illinois Test Procedure, "Calibration of the Ignition Oven for the Purpose of Characterizing Reclaimed Asphalt Pavement (RAP)".

- (b) Evaluation of RAS and RAS Blended with Manufactured Sand Test Results. All of the test results, with the exception of percent unacceptable materials, shall be compiled and averaged for asphalt binder content and gradation. Individual test results, when compared to the averages, will be accepted if within the tolerances listed below.

Parameter	RAS
No. 8 (2.36 mm)	± 5 %
No. 16 (1.18 mm)	± 5 %
No. 30 (600 µm)	± 4 %
No. 200 (75 µm)	± 2.0 %
Asphalt Binder Content	± 1.5 %

If more than 20 percent of the individual sieves and/or asphalt binder content tests are out of the above tolerances, or if the percent unacceptable material exceeds 0.5 percent by weight of material retained on the # 4 (4.75 mm) sieve, the RAS or RAS blend shall not be used in Department projects. All test data and acceptance ranges shall be sent to the District for evaluation.

1031.05 Quality Designation of Aggregate in RAP/FRAP.

- (a) RAP. The aggregate quality of the RAP for homogenous, conglomerate, and conglomerate "D" quality stockpiles shall be set by the lowest quality of coarse aggregate in the RAP stockpile and are designated as follows.
- (1) RAP from Class I, Superpave/HMA (High ESAL), or (Low ESAL) IL-9.5L surface mixtures are designated as containing Class B quality coarse aggregate.
 - (2) RAP from Superpave/HMA (Low ESAL) IL-19.0L binder mixture is designated as Class D quality coarse aggregate.
 - (3) RAP from Class I, Superpave/HMA (High ESAL) binder mixtures, bituminous base course mixtures, and bituminous base course widening mixtures are designated as containing Class C quality coarse aggregate.
 - (4) RAP from bituminous stabilized subbase and BAM shoulders are designated as containing Class D quality coarse aggregate.
- (b) FRAP. If the Engineer has documentation of the quality of the FRAP aggregate, the Contractor shall use the assigned quality provided by the Engineer.

If the quality is not known, the quality shall be determined as follows. Coarse and fine FRAP stockpiles containing plus #4 (4.75 mm) sieve coarse aggregate shall have a maximum tonnage of 5,000 tons (4,500 metric tons). The Contractor shall obtain a representative sample witnessed by the Engineer. The sample shall be a minimum of 50 lb (25 kg). The sample shall be extracted according to Illinois Modified AASHTO T 164 by a consultant prequalified by the Department for the specified testing. The consultant shall submit the test results along with the recovered aggregate to the District Office. The cost for this testing shall be paid by the Contractor. The District will forward the sample to the Bmpr Aggregate Lab for MicroDeval Testing, according to Illinois Modified AASHTO T 327. A maximum loss of 15.0 percent will be applied for all HMA applications.

1031.06 Use of RAP/FRAP and/or RAS in HMA. The use of RAP/FRAP and/or RAS shall be a Contractor's option when constructing HMA in all contracts.

- (a) RAP/FRAP. The use of RAP/FRAP in HMA shall be as follows.
- (1) Coarse Aggregate Size. The coarse aggregate in all RAP shall be equal to or less than the nominal maximum size requirement for the HMA mixture to be produced.
 - (2) Steel Slag Stockpiles. Homogeneous RAP stockpiles containing steel slag will be approved for use in all HMA (High ESAL and Low ESAL) Surface and Binder Mixture applications.

- (3) Use in HMA Surface Mixtures (High and Low ESAL). RAP/FRAP stockpiles for use in HMA surface mixtures (High and Low ESAL) shall be FRAP or homogeneous in which the coarse aggregate is Class B quality or better. RAP/FRAP from Conglomerate stockpiles shall be considered equivalent to limestone for frictional considerations. Known frictional contributions from plus #4 (4.75 mm) homogeneous RAP and FRAP stockpiles will be accounted for in meeting frictional requirements in the specified mixture.
 - (4) Use in HMA Binder Mixtures (High and Low ESAL), HMA Base Course, and HMA Base Course Widening. RAP/FRAP stockpiles for use in HMA binder mixtures (High and Low ESAL), HMA base course, and HMA base course widening shall be FRAP, homogeneous, or conglomerate, in which the coarse aggregate is Class C quality or better.
 - (5) Use in Shoulders and Subbase. RAP/FRAP stockpiles for use in HMA shoulders and stabilized subbase (HMA) shall be FRAP, homogeneous, conglomerate, or conglomerate DQ.
 - (6) When the Contractor chooses the RAP option, the percentage of RAP shall not exceed the amounts indicated in Article 1031.06(c)(1) below for a given N Design.
- (b) RAS. RAS meeting Type 1 or Type 2 requirements will be permitted in all HMA applications as specified herein.
- (c) RAP/FRAP and/or RAS Usage Limits. Type 1 or Type 2 RAS may be used alone or in conjunction with RAP or FRAP in HMA mixtures up to a maximum of 5.0% by weight of the total mix.
- (1) RAP/RAS. When RAP is used alone or RAP is used in conjunction with RAS, the percentage of virgin asphalt binder replacement shall not exceed the amounts listed in the Max RAP/RAS ABR table listed below for the given N design.

RAP/RAS Maximum Asphalt Binder Replacement (ABR) Percentage

HMA Mixtures ^{1/, 2/}	RAP/RAS Maximum ABR %		
	Binder/Leveling Binder	Surface	Polymer Modified
Ndesign			
30	30	30	10
50	25	15	10
70	15	10	10
90	10	10	10
105	10	10	10

1/ For HMA “All Other” (shoulder and stabilized subbase) N-30, the RAP/RAS ABR shall not exceed 50 percent of the mixture.

2/ When RAP/RAS ABR exceeds 20 percent, the high and low virgin asphalt binder grades shall each be reduced by one grade (i.e. 25 percent ABR would require a virgin asphalt binder grade of PG64-22 to be reduced to a PG58-28). If warm mix asphalt (WMA) technology is utilized, and production temperatures do not exceed 275 °F (135 °C) the high and low virgin asphalt binder grades shall each be reduced by one grade when RAP/RAS ABR exceeds 25 percent (i.e. 26 percent RAP/RAS ABR would require a virgin asphalt binder grade of PG64-22 to be reduced to a PG58-28).

(2) FRAP/RAS. When FRAP is used alone or FRAP is used in conjunction with RAS, the percentage of virgin asphalt binder replacement shall not exceed the amounts listed in the FRAP/RAS table listed below for the given N design.

FRAP/RAS Maximum Asphalt Binder Replacement (ABR) Percentage

HMA Mixtures <i>1/, 2/</i>	FRAP/RAS Maximum ABR %		
	Ndesign	Binder/Leveling Binder	Surface
30	50	40	10
50	40	35	10
70	40	30	10
90	40	30	10
105	40	30	10

- 1/ For HMA “All Other” (shoulder and stabilized subbase) N30, the FRAP/RAS ABR shall not exceed 50 percent of the mixture.
- 2/ When FRAP/RAS ABR exceeds 20 percent for all mixes the high and low virgin asphalt binder grades shall each be reduced by one grade (i.e. 25 percent ABR would require a virgin asphalt binder grade of PG64-22 to be reduced to a PG58-28). If warm mix asphalt (WMA) technology is utilized, and production temperatures do not exceed 275 °F (135 °C) the high and low virgin asphalt binder grades shall each be reduced by one grade when FRAP/RAS ABR exceeds 25 percent (i.e. 26 percent ABR would require a virgin asphalt binder grade of PG64-22 to be reduced to a PG58-28).
- 3/ For SMA the FRAP/RAS ABR shall not exceed 20 percent.
- 4/ For IL-4.75 mix the FRAP/RAS ABR shall not exceed 30 percent.

1031.07 HMA Mix Designs. At the Contractor’s option, HMA mixtures may be constructed utilizing RAP/FRAP and/or RAS material meeting the detailed requirements specified herein.

- (a) RAP/FRAP and/or RAS. RAP/FRAP and/or RAS mix designs shall be submitted for verification. If additional RAP/FRAP stockpiles are tested and found that no more than 20 percent of the results, as defined under “Testing” herein, are outside of the control tolerances set for the original RAP/FRAP stockpile and HMA mix design, and meets all of the requirements herein, the additional RAP/FRAP stockpiles may be used in the original mix design at the percent previously verified.
- (b) RAS. Type 1 and Type 2 RAS are not interchangeable in a mix design. A RAS stone bulk specific gravity (Gsb) of 2.500 shall be used for mix design purposes.

1031.08 HMA Production. HMA production utilizing RAP/FRAP and/or RAS shall be as follows.

- (a) RAP/FRAP. The coarse aggregate in all RAP/FRAP used shall be equal to or less than the nominal maximum size requirement for the HMA mixture being produced.

To remove or reduce agglomerated material, a scalping screen, gator, crushing unit, or comparable sizing device approved by the Engineer shall be used in the RAP feed system to remove or reduce oversized material. If material passing the sizing device adversely affects the mix production or quality of the mix, the sizing device shall be set at a size specified by the Engineer.

If the RAP/FRAP control tolerances or QC/QA test results require corrective action, the Contractor shall cease production of the mixture containing RAP/FRAP and either switch to the virgin aggregate design or submit a new RAP/FRAP design.

- (b) RAS. RAS shall be incorporated into the HMA mixture either by a separate weight depletion system or by using the RAP weigh belt. Either feed system shall be interlocked with the aggregate feed or weigh system to maintain correct proportions for all rates of production and batch sizes. The portion of RAS shall be controlled accurately to within ± 0.5 percent of the amount of RAS utilized. When using the weight depletion system, flow indicators or sensing devices shall be provided and interlocked with the plant controls such that the mixture production is halted when RAS flow is interrupted.
- (c) RAP/FRAP and/or RAS. HMA plants utilizing RAP/FRAP and/or RAS shall be capable of automatically recording and printing the following information.

(1) Dryer Drum Plants.

- a. Date, month, year, and time to the nearest minute for each print.
- b. HMA mix number assigned by the Department.
- c. Accumulated weight of dry aggregate (combined or individual) in tons (metric tons) to the nearest 0.1 ton (0.1 metric ton).
- d. Accumulated dry weight of RAP/FRAP/RAS in tons (metric tons) to the nearest 0.1 ton (0.1 metric ton).
- e. Accumulated mineral filler in revolutions, tons (metric tons), etc. to the nearest 0.1 unit.
- f. Accumulated asphalt binder in gallons (liters), tons (metric tons), etc. to the nearest 0.1 unit.
- g. Residual asphalt binder in the RAP/FRAP material as a percent of the total mix to the nearest 0.1 percent.

- h. Aggregate and RAP/FRAP moisture compensators in percent as set on the control panel. (Required when accumulated or individual aggregate and RAP/FRAP are printed in wet condition.)
- (2) Batch Plants.
- a. Date, month, year, and time to the nearest minute for each print.
 - b. HMA mix number assigned by the Department.
 - c. Individual virgin aggregate hot bin batch weights to the nearest pound (kilogram).
 - d. Mineral filler weight to the nearest pound (kilogram).
 - e. RAP/FRAP/RAS weight to the nearest pound (kilogram).
 - f. Virgin asphalt binder weight to the nearest pound (kilogram).
 - g. Residual asphalt binder in the RAP/FRAP/RAS material as a percent of the total mix to the nearest 0.1 percent.

The printouts shall be maintained in a file at the plant for a minimum of one year or as directed by the Engineer and shall be made available upon request. The printing system will be inspected by the Engineer prior to production and verified at the beginning of each construction season thereafter.

1031.09 RAP in Aggregate Surface Course and Aggregate Shoulders. The use of RAP in aggregate surface course (temporary access entrances only) and aggregate wedge shoulders Type B shall be as follows.

- (a) Stockpiles and Testing. RAP stockpiles may be any of those listed in Article 1031.02, except "Non-Quality" and "FRAP". The testing requirements of Article 1031.03 shall not apply. RAP used to construct aggregate surface course and aggregate shoulders shall be according to the current Bureau of Materials and Physical Research's Policy Memorandum, "Reclaimed Asphalt Pavement (RAP) for Aggregate Applications".
- (b) Gradation. One hundred percent of the RAP material shall pass the 1 1/2 in. (37.5 mm) sieve. The RAP material shall be reasonably well graded from coarse to fine. RAP material that is gap-graded or single sized will not be accepted."

REINFORCEMENT BARS (BDE)

Effective: November 1, 2013

Revise the first and second paragraphs of Article 508.05 of the Standard Specifications to read:

“508.05 Placing and Securing. All reinforcement bars shall be placed and tied securely at the locations and in the configuration shown on the plans prior to the placement of concrete. Manual welding of reinforcement may only be permitted or precast concrete products as indicated in the current Bureau of Materials and Physical Research Policy Memorandum “Quality Control / Quality Assurance Program for Precast Concrete Products”, and for precast prestressed concrete products as indicated in the Department’s current “Manual for Fabrication of Precast Prestressed Concrete Products”. Reinforcement bars shall not be placed by sticking or floating into place or immediately after placement of the concrete.

Bars shall be tied at all intersections, except where the center to center dimension is less than 1 ft (300 mm) in each direction, in which case alternate intersections shall be tied. Molded plastic clips may be used in lieu of wire to secure bar intersections, but shall not be permitted in horizontal bar mats subject to construction foot traffic or to secure longitudinal bar laps. Plastic clips shall adequately secure the reinforcement bars, and shall permit the concrete to flow through and fully encase the reinforcement. Plastic clips may be recycled plastic, and shall meet the approval of the Engineer. The number of ties as specified shall be doubled for lap splices at the stage construction line of concrete bridge decks when traffic is allowed on the first completed stage during the pouring of the second stage.”

Revise the fifth paragraph of Article 508.05 of the Standard Specifications to read:

“Supports for reinforcement in bridge decks shall be metal. For all other concrete construction the supports shall be metal or plastic. Metal bar supports shall be made of cold-drawn wire, or other approved material and shall be either epoxy coated, galvanized or plastic tipped. When the reinforcement bars are epoxy coated, the metal supports shall be epoxy coated. Plastic supports may be recycled plastic. Supports shall be provided in sufficient number and spaced to provide the required clearances. Supports shall adequately support the reinforcement bars, and shall permit the concrete to flow through and fully encase the reinforcement. The legs of supports shall be spaced to allow an opening that is a minimum 1.33 times the nominal maximum aggregate size used in the concrete. Nominal maximum aggregate size is defined as the largest sieve which retains any of the aggregate sample particles. All supports shall meet the approval of the Engineer.”

Revise the first sentence of the eighth paragraph of Article 508.05 of the Standard Specifications to read:

“Epoxy coated reinforcement bars shall be tied with plastic coated wire, epoxy coated wire, or molded plastic clips where allowed.”

Add the following sentence to the end of the first paragraph of Article 508.06(c) of the Standard Specifications:

“In addition, the total slip of the bars within the splice sleeve of the connector after loading in tension to 30 ksi (207 MPa) and relaxing to 3 ksi (20.7 MPa) shall not exceed 0.01 in. (254 microns).”

Revise Article 1042.03(d) of the Standard Specifications to read:

“(d) Reinforcement and Accessories: The concrete cover over all reinforcement shall be within $\pm 1/4$ in. (± 6 mm) of the specified cover.

Welded wire fabric shall be accurately bent and tied in place.

Miscellaneous accessories to be cast into the concrete or for forming holes and recesses shall be carefully located and rigidly held in place by bolts, clamps, or other effective means. If paper tubes are used for vertical dowel holes, or other vertical holes which require grouting, they shall be removed before transportation to the construction site.”

REMOVAL AND DISPOSAL OF REGULATED SUBSTANCES (BDE)

Effective: January 1, 2012

Revised: November 2, 2012

Revise Article 669.01 of the Standard Specifications to read:

“**669.01 Description.** This work shall consist of the transportation and proper disposal of contaminated soil and water. This work shall also consist of the removal, transportation, and proper disposal of underground storage tanks (UST), their content and associated underground piping to the point where the piping is above the ground, including determining the content types and estimated quantities.”

Revise Article 669.08 of the Standard Specifications to read:

“**669.08 Contaminated Soil and/or Groundwater Monitoring.** The Contractor shall hire a qualified environmental firm to monitor the area containing the regulated substances. The affected area shall be monitored with a photoionization detector (PID) utilizing a lamp of 10.6eV or greater or a flame ionization detector (FID). Any field screen reading on the PID or FID in excess of background levels indicates the potential presence of contaminated material requiring handling as a non-special waste, special waste, or hazardous waste. No excavated soils can be taken to a clean construction and demolition debris (CCDD) facility or an uncontaminated soil fill operation with detectable PID or FID meter readings that are above background. The PID or FID meter shall be calibrated on-site and background level readings taken and recorded daily. All testing shall be done by a qualified engineer/technician. Such testing and monitoring shall be included in the work. The Contractor shall identify the exact limits of removal of non-special waste, special waste, or hazardous waste. All limits shall be approved by the Engineer prior to excavation. The Contractor shall take all necessary precautions.

Based upon the land use history of the subject property and/or PID or FID readings indicating contamination, a soil or groundwater sample shall be taken from the same location and submitted to an approved laboratory. Soil or groundwater samples shall be analyzed for the contaminants of concern, including pH, based on the property's land use history or the parameters listed in the maximum allowable concentration (MAC) for chemical constituents in uncontaminated soil established pursuant to Subpart F of 35 Illinois Administrative Code 1100.605. The analytical results shall serve to document the level of soil contamination. Soil and groundwater samples may be required at the discretion of the Engineer to verify the level of soil and groundwater contamination.

Samples shall be grab samples (not combined with other locations). The samples shall be taken with decontaminated or disposable instruments. The samples shall be placed in sealed containers and transported in an insulated container to the laboratory. The container shall maintain a temperature of 39 °F (4 °C). All samples shall be clearly labeled. The labels shall indicate the sample number, date sampled, location and elevation, and any other observations.

The laboratory shall use analytical methods which are able to meet the lowest appropriate practical quantitation limits (PQL) or estimated quantitation limit (EQL) specified in "Test Methods for Evaluating Solid Wastes, Physical/Chemical Methods", EPA Publication No. SW-846 and "Methods for the Determination of Organic Compounds in Drinking Water", EPA, EMSL, EPA-600/4-88/039. For parameters where the specified cleanup objective is below the acceptable detection limit (ADL), the ADL shall serve as the cleanup objective. For other parameters the ADL shall be equal to or below the specified cleanup objective."

Replace the first two paragraphs of Article 669.09 of the Standard Specifications with the following:

"669.09 Contaminated Soil and/or Groundwater Management and Disposal. The management and disposal of contaminated soil and/or groundwater shall be according to the following:

- (a) Soil Analytical Results Exceed Most Stringent MAC. When the soil analytical results indicate that detected levels exceed the most stringent maximum allowable concentration (MAC) for chemical constituents in uncontaminated soil established pursuant to Subpart F of 35 Illinois Administrative Code 1100.605, the soil shall be managed as follows:
 - (1) When analytical results indicate inorganic chemical constituents exceed the most stringent MAC but they are still considered within area background levels by the Engineer, the excavated soil can be utilized within the construction limits as fill, when suitable. Such soil excavated for storm sewers can be placed back into the excavated trench as backfill, when suitable, unless trench backfill is specified. If the soils cannot be utilized within the construction limits, they shall be managed and disposed of off-site as a non-special waste, special waste, or hazardous waste as applicable.

- (2) When analytical results indicate chemical constituents exceed the most stringent MAC but do not exceed the MAC for a Metropolitan Statistical Area (MSA) County, the excavated soil can be utilized within the construction limits as fill, when suitable, or managed and disposed of off-site as “uncontaminated soil” at a CCDD facility or an uncontaminated soil fill operation within an MSA County provided the pH of the soil is within the range of 6.25 - 9.0, inclusive.
 - (3) When analytical results indicate chemical constituents exceed the most stringent MAC but do not exceed the MAC for an MSA County excluding Chicago, or the MAC within the Chicago corporate limits, the excavated soil can be utilized within the construction limits as fill, when suitable, or managed and disposed of off-site as “uncontaminated soil” at a CCDD facility or an uncontaminated soil fill operation within an MSA County excluding Chicago or within the Chicago corporate limits provided the pH of the soil is within the range of 6.25 - 9.0, inclusive.
 - (4) When analytical results indicate chemical constituents exceed the most stringent MAC but do not exceed the MAC for an MSA County excluding Chicago, the excavated soil can be utilized within the construction limits as fill, when suitable, or managed and disposed of off-site as “uncontaminated soil” at a CCDD facility or an uncontaminated soil fill operation within an MSA County excluding Chicago provided the pH of the soil is within the range of 6.25 - 9.0, inclusive.
 - (5) When the Engineer determines soil cannot be managed according to Articles 669.09(a)(1) through (a)(4) above, the soil shall be managed and disposed of off-site as a non-special waste, special waste, or hazardous waste as applicable.
- (b) Soil Analytical Results Do Not Exceed Most Stringent MAC. When the soil analytical results indicate that detected levels do not exceed the most stringent MAC but the pH of the soil is less than 6.25 or greater than 9.0, the excavated soil can be utilized within the construction limits or managed and disposed of off-site as “uncontaminated soil” according to Article 202.03. However the excavated soil cannot be taken to a CCDD facility or an uncontaminated soil fill operation.
- (c) Groundwater. When groundwater analytical results indicate the detected levels are above Appendix B, Table E of 35 Illinois Administrative Code 742, the most stringent Tier 1 Groundwater Remediation Objectives for Groundwater Component of the Groundwater Ingestion Route for Class 1 groundwater, the groundwater shall be managed off-site as a special waste.

All groundwater encountered within lateral trenches may be managed within the trench and allowed to infiltrate back into the ground. If the groundwater cannot be managed within the trench it must be removed as a special or hazardous waste. The Contractor is prohibited from managing groundwater within the trench by discharging it through any existing or new storm sewer. The Contractor shall install backfill plugs within the area of groundwater contamination.

One backfill plug shall be placed down gradient to the area of groundwater contamination. Backfill plugs shall be installed at intervals not to exceed 50 ft (15 m). Backfill plugs are to be 4 ft (1.2 m) long, measured parallel to the trench, full trench width and depth. Backfill plugs shall not have any fine aggregate bedding or backfill, but shall be entirely cohesive soil or any class of concrete. The Contractor shall provide test data that the material has a permeability of less than 10^{-7} cm/sec according to ASTM D 5084, Method A or per another test method approved by the Engineer.”

Revise Article 669.14 of the Standard Specifications to read:

“669.14 Final Environmental Construction Report. At the end of the project, the Contractor will prepare and submit three copies of the Environmental Construction Report on the activities conducted during the life of the project, one copy shall be submitted to the Resident Engineer, one copy shall be submitted to the District's Environmental Studies Unit, and one copy shall be submitted with an electronic copy in Adode.pdf format to the Geologic and Waste Assessment Unit, Bureau of Design and Environment, IDOT, 2300 South Dirksen Parkway, Springfield, Illinois 62764. The technical report shall include all pertinent information regarding the project including, but not limited to:

- (a) Measures taken to identify, monitor, handle, and dispose of soil or groundwater containing regulated substances, to prevent further migration of regulated substances, and to protect workers,
- (b) Cost of identifying, monitoring, handling, and disposing of soil or groundwater containing regulated substances, the cost of preventing further migration of regulated substances, and the cost for worker protection from the regulated substances. All cost should be in the format of the contract pay items listed in the contract plans (identified by the preliminary environmental site investigation (PESA) site number),
- (c) Plan sheets showing the areas containing the regulated substances,
- (d) Field sampling and testing results used to identify the nature and extent of the regulated substances,
- (e) Waste manifests (identified by the preliminary environmental site investigation (PESA) site number) for special or hazardous waste disposal, and
- (f) Landfill tickets (identified by the preliminary environmental site investigation (PESA) site number) for non-special waste disposal.”

Revise the second paragraph of Article 669.16 of the Standard Specifications to read:

“The transportation and disposal of soil and other materials from an excavation determined to be contaminated will be paid for at the contract unit price per cubic yard (cubic meter) for NON-SPECIAL WASTE DISPOSAL, SPECIAL WASTE DISPOSAL, or HAZARDOUS WASTE DISPOSAL.”

REMOVAL AND DISPOSAL OF SURPLUS MATERIALS (BDE)

Effective: November 2, 2012

Revise the first four paragraphs of Article 202.03 of the Standard Specifications to read:

“202.03 Removal and Disposal of Surplus, Unstable, Unsuitable, and Organic Materials. Suitable excavated materials shall not be wasted without permission of the Engineer. The Contractor shall dispose of all surplus, unstable, unsuitable, and organic materials, in such a manner that public or private property will not be damaged or endangered.

Suitable earth, stones and boulders naturally occurring within the right-of-way may be placed in fills or embankments in lifts and compacted according to Section 205. Broken concrete without protruding metal bars, bricks, rock, stone, reclaimed asphalt pavement with no expansive aggregate, or uncontaminated dirt and sand generated from construction or demolition activities may be used in embankment or in fill. If used in fills or embankments, these materials shall be placed and compacted to the satisfaction of the Engineer; shall be buried under a minimum of 2 ft (600 mm) of earth cover (except when the materials include only uncontaminated dirt); and shall not create an unsightly appearance or detract from the natural topographic features of an area. Broken concrete without protruding metal bars, bricks, rock, or stone may be used as riprap as approved by the Engineer. If the materials are used for fill in locations within the right-of-way but outside project construction limits, the Contractor must specify to the Engineer, in writing, how the landscape restoration of the fill areas will be accomplished. Placement of fill in such areas shall not commence until the Contractor's landscape restoration plan is approved by the Engineer.

Aside from the materials listed above, all other construction and demolition debris or waste shall be disposed of in a licensed landfill, recycled, reused, or otherwise disposed of as allowed by State or Federal laws and regulations. When the Contractor chooses to dispose of uncontaminated soil at a clean construction and demolition debris (CCDD) facility or at an uncontaminated soil fill operation, it shall be the Contractor's responsibility to have the pH of the material tested to ensure the value is between 6.25 and 9.0, inclusive. A copy of the pH test results shall be provided to the Engineer.

A permit shall be obtained from IEPA and made available to the Engineer prior to open burning of organic materials (i.e., plant refuse resulting from pruning or removal of trees or shrubs) or other construction or demolition debris. Organic materials originating within the right-of-way limits may be chipped or shredded and placed as mulch around landscape plantings within the right-of-way when approved by the Engineer. Chipped or shredded material to be placed as mulch shall not exceed a depth of 6 in. (150 mm).”

TRACKING THE USE OF PESTICIDES (BDE)

Effective: August 1, 2012

Add the following paragraph after the first paragraph of Article 107.23 of the Standard Specifications:

“Within 48 hours of the application of pesticides, including but not limited to herbicides, insecticides, algaecides, and fungicides, the Contractor shall complete and return to the Engineer, Operations form “OPER 2720”.”

WARM MIX ASPHALT (BDE)

Effective: January 1, 2012

Revised: November 1, 2013

Description. This work shall consist of designing, producing and constructing Warm Mix Asphalt (WMA) in lieu of Hot Mix Asphalt (HMA) at the Contractor’s option. Work shall be according to Sections 406, 407, 408, 1030, and 1102 of the Standard Specifications, except as modified herein. In addition, any references to HMA in the Standard Specifications, or the special provisions shall be construed to include WMA.

WMA is an asphalt mixture which can be produced at temperatures lower than allowed for HMA utilizing approved WMA technologies. WMA technologies are defined as the use of additives or processes which allow a reduction in the temperatures at which HMA mixes are produced and placed. WMA is produced by the use of additives, a water foaming process, or combination of both. Additives include minerals, chemicals or organics incorporated into the asphalt binder stream in a dedicated delivery system. The process of foaming injects water into the asphalt binder stream, just prior to incorporation of the asphalt binder with the aggregate.

Approved WMA technologies may also be used in HMA provided all the requirements specified herein, with the exception of temperature, are met. However, asphalt mixtures produced at temperatures in excess of 275 °F (135 °C) will not be considered WMA when determining the grade reduction of the virgin asphalt binder grade.

Materials.

Add the following to Article 1030.02 of the Standard Specifications.

“(h) Warm Mix Asphalt (WMA) Technologies (Note 3)”

Add the following note to Article 1030.02 of the Standard Specifications.

“Note 3. Warm mix additives or foaming processes shall be selected from the current Bureau of Materials and Physical Research Approved List, “Warm-Mix Asphalt Technologies”.”

Equipment.

Revise the first paragraph of Article 1102.01 of the Standard Specifications to read:

“1102.01 Hot-Mix Asphalt Plant. The hot-mix asphalt (HMA) plant shall be the batch-type, continuous-type, or dryer drum plant. The plants shall be evaluated for prequalification rating and approval to produce HMA according to the current Bureau of Materials and Physical Research Policy Memorandum, “Approval of Hot-Mix Asphalt Plants and Equipment”. Once approved, the Contractor shall notify the Bureau of Materials and Physical Research to obtain approval of all plant modifications. The plants shall not be used to produce mixtures concurrently for more than one project or for private work unless permission is granted in writing by the Engineer. The plant units shall be so designed, coordinated and operated that they will function properly and produce HMA having uniform temperatures and compositions within the tolerances specified. The plant units shall meet the following requirements.”

Add the following to Article 1102.01(a) of the Standard Specifications.

“(13) Equipment for Warm Mix Technologies.

- a. Foaming. Metering equipment for foamed asphalt shall have an accuracy of ± 2 percent of the actual water metered. The foaming control system shall be electronically interfaced with the asphalt binder meter.
- b. Additives. Additives shall be introduced into the plant according to the supplier’s recommendations and shall be approved by the Engineer. The system for introducing the WMA additive shall be interlocked with the aggregate feed or weigh system to maintain correct proportions for all rates of production and batch sizes.”

Mix Design Verification.

Add the following to Article 1030.04 of the Standard Specifications.

“(e) Warm Mix Technologies.

- (1) Foaming. WMA mix design verification will not be required when foaming technology is used alone (without WMA additives). However, the foaming technology shall only be used on HMA designs previously approved by the Department.
- (2) Additives. WMA mix designs utilizing additives shall be submitted to the Engineer for mix design verification.

Production.

Revise the second paragraph of Article 1030.06(a) of the Standard Specifications to read:

“At the start of mix production for HMA, WMA, and HMA using WMA technologies, QC/QA mixture start-up will be required for the following situations; at the beginning of production of a new mixture design, at the beginning of each production season, and at every plant utilized to produce mixtures, regardless of the mix.”

Quality Control/Quality Assurance Testing.

Revise the table in Article 1030.05(d)(2)a. of the Standard Specifications to read:

Parameter	Frequency of Tests	Frequency of Tests	Test Method See Manual of Test Procedures for Materials
	High ESAL Mixture Low ESAL Mixture	All Other Mixtures	
Aggregate Gradation % passing sieves: 1/2 in. (12.5 mm), No. 4 (4.75 mm), No. 8 (2.36 mm), No. 30 (600 μm) No. 200 (75 μm) Note 1.	1 washed ignition oven test on the mix per half day of production Note 4.	1 washed ignition oven test on the mix per day of production Note 4.	Illinois Procedure
Asphalt Binder Content by Ignition Oven Note 2.	1 per half day of production	1 per day	Illinois-Modified AASHTO T 308
VMA Note 3.	Day's production ≥ 1200 tons: 1 per half day of production Day's production < 1200 tons: 1 per half day of production for first 2 days and 1 per day thereafter (first sample of the day)	N/A	Illinois-Modified AASHTO R 35
Air Voids Bulk Specific Gravity of Gyrotory Sample Note 5.	Day's production ≥ 1200 tons: 1 per half day of production Day's production < 1200 tons: 1 per half day of production for first 2 days and 1 per day thereafter (first sample of the day)	1 per day	Illinois-Modified AASHTO T 312

Parameter	Frequency of Tests	Frequency of Tests	Test Method See Manual of Test Procedures for Materials
	High ESAL Mixture Low ESAL Mixture	All Other Mixtures	
Maximum Specific Gravity of Mixture	Day's production ≥ 1200 tons: 1 per half day of production	1 per day	Illinois-Modified AASHTO T 209
	Day's production < 1200 tons: 1 per half day of production for first 2 days and 1 per day thereafter (first sample of the day)		

Note 1. The No. 8 (2.36 mm) and No. 30 (600 µm) sieves are not required for All Other Mixtures.

Note 2. The Engineer may waive the ignition oven requirement for asphalt binder content if the aggregates to be used are known to have ignition asphalt binder content calibration factors which exceed 1.5 percent. If the ignition oven requirement is waived, other Department approved methods shall be used to determine the asphalt binder content.

Note 3. The G_{sb} used in the voids in the mineral aggregate (VMA) calculation shall be the same average G_{sb} value listed in the mix design.

Note 4. The Engineer reserves the right to require additional hot bin gradations for batch

Note 5. The WMA compaction temperature for mixture volumetric testing shall be 270 ± 5 °F (132 ± 3 °C) for quality control testing. The WMA compaction temperature for quality assurance testing will be 270 ± 5 °F (132 ± 3 °C) if the mixture is not allowed to cool to room temperature. If the mixture is allowed to cool to room temperature it shall be reheated to standard HMA compaction temperatures.”

Construction Requirements.

Revise the second paragraph of Article 406.06(b)(1) of the Standard Specifications to read:

“The HMA shall be delivered at a temperature of 250 to 350 °F (120 to 175 °C). WMA shall be delivered at a minimum temperature of 215 °F (102 °C).”

Basis of Payment.

This work will be paid at the contract unit price bid for the HMA pay items involved. Anti-strip will not be paid for separately, but shall be considered as included in the cost of the work.

WEEKLY DBE TRUCKING REPORTS (BDE)

Effective: June 2, 2012

The Contractor shall provide a weekly report of Disadvantaged Business Enterprise (DBE) trucks hired by the Contractor or subcontractors (i.e. not owned by the Contractor or subcontractors) that are used on the jobsite; or used for the delivery and/or removal of equipment/material to and from the jobsite. The jobsite shall also include offsite locations, such as plant sites or storage sites, when those locations are used solely for this contract.

The report shall be submitted on the form provided by the Department within ten business days following the reporting period. The reporting period shall be Monday through Sunday for each week reportable trucking activities occur. The report shall be submitted to the Engineer and a copy shall be provided to the district EEO Officer.

Any costs associated with providing weekly DBE trucking reports shall be considered as included in the contract unit prices bid for the various items of work involved and no additional compensation will be allowed.

WET REFLECTIVE THERMOPLASTIC PAVEMENT MARKING (BDE)

Effective: January 1, 2012

Description. This work shall consist of furnishing and applying thermoplastic pavement markings with a wet reflective media. Work shall be according to Section 780 of the Standard Specifications, except as modified herein.

Revise the seventh paragraph of Article 780.05 of the Standard Specifications to read:

“Thermoplastic marking shall be placed with drop on glass beads and wet reflective media uniformly applied to ensure adequate dry and wet retroreflectivity. The combination of thermoplastic material, glass beads, and wet reflective media used shall preclude the surface beads and wet reflective media from sinking deeply into the thermoplastic.”

Basis of Payment. This work will be paid for at the contract unit price per foot (meter) of applied line width, as specified, for WET REFLECTIVE THERMOPLASTIC PAVEMENT MARKING – LINE; and/or per square foot (square meter) for WET REFLECTIVE THERMOPLASTIC PAVEMENT MARKING – LETTERS AND SYMBOLS.

Delete the last sentence of Article 1095.01(f) of the Standard Specifications.

Add the following to Article 1095.01 of the Standard Specifications.

“(g) Wet Reflective Media. The wet reflective media shall be according to the manufacturer’s specifications. Once applied, the wet reflective thermoplastic pavement markings shall meet the following retroreflectivity requirements when tested according to ASTM E2177 and ASTM E2176. The readings shall be obtained with a portable retroreflectometer meeting ASTM E1710.

Wet Retroreflectivity Requirements R_L (mcc/lx/m ²)		
	White	Yellow
Wet Recovery (ASTM E2177)	350	275
Wet Continuous (ASTM E2176)	100	75”

WORKING DAYS (BDE)

Effective: January 1, 2002

The Contractor shall complete the work within **65** working days.

BITUMINOUS MATERIALS COST ADJUSTMENTS (BDE) (RETURN FORM WITH BID)

Effective: November 2, 2006

Revised: August 1, 2013

Description. Bituminous material cost adjustments will be made to provide additional compensation to the Contractor, or credit to the Department, for fluctuations in the cost of bituminous materials when optioned by the Contractor. The adjustments shall apply to permanent and temporary hot-mix asphalt (HMA) mixtures, bituminous surface treatments (cover and seal coats), and preventative maintenance type surface treatments. The adjustments shall not apply to bituminous prime coats, tack coats, crack filling/sealing, or joint filling/sealing.

The bidder shall indicate on the attached form whether or not this special provision will be part of the contract and submit the completed form with his/her bid. Failure to submit the form, or failure to fill out the form completely, shall make this contract exempt of bituminous materials cost adjustments.

Method of Adjustment. Bituminous materials cost adjustments will be computed as follows.

$$CA = (BPI_P - BPI_L) \times (\%AC_V / 100) \times Q$$

- Where: CA = Cost Adjustment, \$.
BPI_P = Bituminous Price Index, as published by the Department for the month the work is performed, \$/ton (\$/metric ton).
BPI_L = Bituminous Price Index, as published by the Department for the month prior to the letting, \$/ton (\$/metric ton).
%AC_V = Percent of virgin Asphalt Cement in the Quantity being adjusted. For HMA mixtures, the % AC_V will be determined from the adjusted job mix formula. For bituminous materials applied, a performance graded or cutback asphalt will be considered to be 100% AC_V and undiluted emulsified asphalt will be considered to be 65% AC_V.
Q = Authorized construction Quantity, tons (metric tons) (see below).

For HMA mixtures measured in square yards: $Q, \text{ tons} = A \times D \times (G_{mb} \times 46.8) / 2000$. For HMA mixtures measured in square meters: $Q, \text{ metric tons} = A \times D \times (G_{mb} \times 1) / 1000$. When computing adjustments for full-depth HMA pavement, separate calculations will be made for the binder and surface courses to account for their different G_{mb} and % AC_V.

For bituminous materials measured in gallons: $Q, \text{ tons} = V \times 8.33 \text{ lb/gal} \times SG / 2000$
For bituminous materials measured in liters: $Q, \text{ metric tons} = V \times 1.0 \text{ kg/L} \times SG / 1000$

- Where: A = Area of the HMA mixture, sq yd (sq m).
D = Depth of the HMA mixture, in. (mm).
G_{mb} = Average bulk specific gravity of the mixture, from the approved mix design.
V = Volume of the bituminous material, gal (L).
SG = Specific Gravity of bituminous material as shown on the bill of lading.

Basis of Payment. Bituminous materials cost adjustments may be positive or negative but will only be made when there is a difference between the BPI_L and BPI_P in excess of five percent, as calculated by:

$$\text{Percent Difference} = \{(BPI_L - BPI_P) \div BPI_L\} \times 100$$

Bituminous materials cost adjustments will be calculated for each calendar month in which applicable bituminous material is placed; and will be paid or deducted when all other contract requirements for the work placed during the month are satisfied. The adjustments shall not apply during contract time subject to liquidated damages for completion of the entire contract.

Return With Bid

**ILLINOIS DEPARTMENT
OF TRANSPORTATION**

**OPTION FOR
BITUMINOUS MATERIALS COST ADJUSTMENTS**

The bidder shall submit this completed form with his/her bid. Failure to submit the form, or failure to fill out the form completely, shall make this contract exempt of bituminous materials cost adjustments. After award, this form, when submitted, shall become part of the contract.

Contract No.: _____

Company Name: _____

Contractor's Option:

Is your company opting to include this special provision as part of the contract?

Yes No

Signature: _____ **Date:** _____

FUEL COST ADJUSTMENT (BDE) (RETURN FORM WITH BID)

Effective: April 1, 2009

Revised: July 1, 2009

Description. Fuel cost adjustments will be made to provide additional compensation to the Contractor, or a credit to the Department, for fluctuations in fuel prices when optioned by the Contractor. The bidder shall indicate on the attached form whether or not this special provision will be part of the contract and submit the completed form with his/her bid. Failure to submit the form or failure to indicate contract number, company name and sign and date the form shall make this contract exempt of fuel cost adjustments for all categories of work. Failure to indicate "Yes" for any category of work will make that category of work exempt from fuel cost adjustment.

General. The fuel cost adjustment shall apply to contract pay items as grouped by category. The adjustment shall only apply to those categories of work checked "Yes", and only when the cumulative plan quantities for a category exceed the required threshold. Adjustments to work items in a category, either up or down, and work added by adjusted unit price will be subject to fuel cost adjustment only when the category representing the added work was subject to the fuel cost adjustment. Added work paid for by time and materials will not be subject to fuel cost adjustment. Category descriptions and thresholds for application and the fuel usage factors which are applicable to each are as follows:

(a) Categories of Work.

- (1) Category A: Earthwork. Contract pay items performed under Sections 202, 204, and 206 including any modified standard or nonstandard items where the character of the work to be performed is considered earthwork. The cumulative total of all applicable item plan quantities shall exceed 25,000 cu yd (20,000 cu m). Included in the fuel usage factor is a weighted average 0.10 gal/cu yd (0.50 liters/cu m) factor for trucking.
- (2) Category B: Subbases and Aggregate Base Courses. Contract pay items constructed under Sections 311, 312 and 351 including any modified standard or nonstandard items where the character of the work to be performed is considered construction of a subbase or aggregate, stabilized or modified base course. The cumulative total of all applicable item plan quantities shall exceed 5000 tons (4500 metric tons). Included in the fuel usage factor is a 0.60 gal/ton (2.50 liters/metric ton) factor for trucking.
- (3) Category C: Hot-Mix Asphalt (HMA) Bases, Pavements and Shoulders. Contract pay items constructed under Sections 355, 406, 407 and 482 including any modified standard or nonstandard items where the character of the work to be performed is considered HMA bases, pavements and shoulders. The cumulative total of all applicable item plan quantities shall exceed 5000 tons (4500 metric tons). Included in the fuel usage factor is 0.60 gal/ton (2.50 liters/metric ton) factor for trucking.

- (4) Category D: Portland Cement Concrete (PCC) Bases, Pavements and Shoulders. Contract pay items constructed under Sections 353, 420, 421 and 483 including any modified standard or nonstandard items where the character of the work to be performed is considered PCC base, pavement or shoulder. The cumulative total of all applicable item plan quantities shall exceed 7500 sq yd (6000 sq m). Included in the fuel usage factor is 1.20 gal/cu yd (5.94 liters/cu m) factor for trucking.
- (5) Category E: Structures. Structure items having a cumulative bid price that exceeds \$250,000 for pay items constructed under Sections 502, 503, 504, 505, 512, 516 and 540 including any modified standard or nonstandard items where the character of the work to be performed is considered structure work when similar to that performed under these sections and not included in categories A through D.

(b) Fuel Usage Factors.

English Units		
Category	Factor	Units
A - Earthwork	0.34	gal / cu yd
B – Subbase and Aggregate Base courses	0.62	gal / ton
C – HMA Bases, Pavements and Shoulders	1.05	gal / ton
D – PCC Bases, Pavements and Shoulders	2.53	gal / cu yd
E – Structures	8.00	gal / \$1000

Metric Units		
Category	Factor	Units
A - Earthwork	1.68	liters / cu m
B – Subbase and Aggregate Base courses	2.58	liters / metric ton
C – HMA Bases, Pavements and Shoulders	4.37	liters / metric ton
D – PCC Bases, Pavements and Shoulders	12.52	liters / cu m
E – Structures	30.28	liters / \$1000

(c) Quantity Conversion Factors.

Category	Conversion	Factor
B	sq yd to ton	0.057 ton / sq yd / in depth
	sq m to metric ton	0.00243 metric ton / sq m / mm depth
C	sq yd to ton	0.056 ton / sq yd / in depth
	sq m to metric ton	0.00239 m ton / sq m / mm depth
D	sq yd to cu yd	0.028 cu yd / sq yd / in depth
	sq m to cu m	0.001 cu m / sq m / mm depth

Method of Adjustment. Fuel cost adjustments will be computed as follows.

$$CA = (FPI_P - FPI_L) \times FUF \times Q$$

Where: CA = Cost Adjustment, \$
FPI_P = Fuel Price Index, as published by the Department for the month the work is performed, \$/gal (\$/liter)
FPI_L = Fuel Price Index, as published by the Department for the month prior to the letting, \$/gal (\$/liter)
FUF = Fuel Usage Factor in the pay item(s) being adjusted
Q = Authorized construction Quantity, tons (metric tons) or cu yd (cu m)

The entire FUF indicated in paragraph (b) will be used regardless of use of trucking to perform the work.

Progress Payments. Fuel cost adjustments will be calculated for each calendar month in which applicable work is performed; and will be paid or deducted when all other contract requirements for the items of work are satisfied. The adjustments shall not apply during contract time subject to liquidated damages for completion of the entire contract.

Final Quantities. Upon completion of the work and determination of final pay quantities, an adjustment will be prepared to reconcile any differences between estimated quantities previously paid and the final quantities. The value for the balancing adjustment will be based on a weighted average of FPI_P and Q only for those months requiring the cost adjustment. The cost adjustment will be applicable to the final measured quantities of all applicable pay items.

Basis of Payment. Fuel cost adjustments may be positive or negative but will only be made when there is a difference between the FPI_L and FPI_P in excess of five percent, as calculated by:

$$\text{Percent Difference} = \{(FPI_L - FPI_P) \div FPI_L\} \times 100$$

Return With Bid

**ILLINOIS DEPARTMENT
OF TRANSPORTATION**

**OPTION FOR
FUEL COST ADJUSTMENT**

The bidder shall submit this completed form with his/her bid. Failure to submit the form or properly complete contract number, company name, and sign and date the form shall make this contract exempt of fuel cost adjustments in all categories. Failure to indicate "Yes" for any category of work at the time of bid will make that category of work exempt from fuel cost adjustment. After award, this form, when submitted shall become part of the contract.

Contract No.: _____

Company Name: _____

Contractor's Option:

Is your company opting to include this special provision as part of the contract plans for the following categories of work?

- | | | |
|--|-----|--------------------------|
| Category A Earthwork. | Yes | <input type="checkbox"/> |
| Category B Subbases and Aggregate Base Courses | Yes | <input type="checkbox"/> |
| Category C HMA Bases, Pavements and Shoulders | Yes | <input type="checkbox"/> |
| Category D PCC Bases, Pavements and Shoulders | Yes | <input type="checkbox"/> |
| Category E Structures | Yes | <input type="checkbox"/> |

Signature: _____ **Date:** _____

STEEL COST ADJUSTMENT (BDE) (RETURN FORM WITH BID)

Effective: April 2, 2004

Revised: April 1, 2009

Description. Steel cost adjustments will be made to provide additional compensation to the Contractor, or a credit to the Department, for fluctuations in steel prices when optioned by the Contractor. The bidder shall indicate on the attached form whether or not this special provision will be part of the contract and submit the completed form with his/her bid. Failure to submit the form or failure to indicate contract number, company name, and sign and date the form shall make this contract exempt of steel cost adjustments for all items of steel. Failure to indicate "Yes" for any item of work will make that item of steel exempt from steel cost adjustment.

Types of Steel Products. An adjustment will be made for fluctuations in the cost of steel used in the manufacture of the following items:

Metal Piling (excluding temporary sheet piling)
Structural Steel
Reinforcing Steel

Other steel materials such as dowel bars, tie bars, mesh reinforcement, guardrail, steel traffic signal and light poles, towers and mast arms, metal railings (excluding wire fence), and frames and grates will be subject to a steel cost adjustment when the pay items they are used in has a contract value of \$10,000 or greater.

Documentation. Sufficient documentation shall be furnished to the Engineer to verify the following:

- (a) The dates and quantity of steel, in lb (kg), shipped from the mill to the fabricator.
- (b) The quantity of steel, in lb (kg), incorporated into the various items of work covered by this special provision. The Department reserves the right to verify submitted quantities.

Method of Adjustment. Steel cost adjustments will be computed as follows:

$$SCA = Q \times D$$

Where: SCA = steel cost adjustment, in dollars
Q = quantity of steel incorporated into the work, in lb (kg)
D = price factor, in dollars per lb (kg)

$$D = MPI_M - MPI_L$$

Where: MPI_M = The Materials Cost Index for steel as published by the Engineering News-Record for the month the steel is shipped from the mill. The indices will be converted from dollars per 100 lb to dollars per lb (kg).

MPI_L = The Materials Cost Index for steel as published by the Engineering News-Record for the month prior to the letting. The indices will be converted from dollars per 100 lb to dollars per lb (kg).

The unit weights (masses) of steel that will be used to calculate the steel cost adjustment for the various items are shown in the attached table.

No steel cost adjustment will be made for any products manufactured from steel having a mill shipping date prior to the letting date.

If the Contractor fails to provide the required documentation, the method of adjustment will be calculated as described above; however, the MPI_M will be based on the date the steel arrives at the job site. In this case, an adjustment will only be made when there is a decrease in steel costs.

Basis of Payment. Steel cost adjustments may be positive or negative but will only be made when there is a difference between the MPI_L and MPI_M in excess of five percent, as calculated by:

$$\text{Percent Difference} = \{(MPI_L - MPI_M) \div MPI_L\} \times 100$$

Steel cost adjustments will be calculated by the Engineer and will be paid or deducted when all other contract requirements for the items of work are satisfied. Adjustments will only be made for fluctuations in the cost of the steel as described herein. No adjustment will be made for changes in the cost of manufacturing, fabrication, shipping, storage, etc.

The adjustments shall not apply during contract time subject to liquidated damages for completion of the entire contract.

FAP Route 646 & FAS Route 2187A (IL 40 & Pilgrim Rd.)
Section (7, 8, 9)RS-2
Whiteside & Carroll Counties
Contract 64F85

Attachment

Item	Unit Mass (Weight)
Metal Piling (excluding temporary sheet piling)	
Furnishing Metal Pile Shells 12 in. (305 mm), 0.179 in. (3.80 mm) wall thickness)	23 lb/ft (34 kg/m)
Furnishing Metal Pile Shells 12 in. (305 mm), 0.250 in. (6.35 mm) wall thickness)	32 lb/ft (48 kg/m)
Furnishing Metal Pile Shells 14 in. (356 mm), 0.250 in. (6.35 mm) wall thickness)	37 lb/ft (55 kg/m)
Other piling	See plans
Structural Steel	See plans for weights (masses)
Reinforcing Steel	See plans for weights (masses)
Dowel Bars and Tie Bars	6 lb (3 kg) each
Mesh Reinforcement	63 lb/100 sq ft (310 kg/sq m)
Guardrail	
Steel Plate Beam Guardrail, Type A w/steel posts	20 lb/ft (30 kg/m)
Steel Plate Beam Guardrail, Type B w/steel posts	30 lb/ft (45 kg/m)
Steel Plate Beam Guardrail, Types A and B w/wood posts	8 lb/ft (12 kg/m)
Steel Plate Beam Guardrail, Type 2	305 lb (140 kg) each
Steel Plate Beam Guardrail, Type 6	1260 lb (570 kg) each
Traffic Barrier Terminal, Type 1 Special (Tangent)	730 lb (330 kg) each
Traffic Barrier Terminal, Type 1 Special (Flared)	410 lb (185 kg) each
Steel Traffic Signal and Light Poles, Towers and Mast Arms	
Traffic Signal Post	11 lb/ft (16 kg/m)
Light Pole, Tenon Mount and Twin Mount, 30 - 40 ft (9 - 12 m)	14 lb/ft (21 kg/m)
Light Pole, Tenon Mount and Twin Mount, 45 - 55 ft (13.5 - 16.5 m)	21 lb/ft (31 kg/m)
Light Pole w/Mast Arm, 30 - 50 ft (9 - 15.2 m)	13 lb/ft (19 kg/m)
Light Pole w/Mast Arm, 55 - 60 ft (16.5 - 18 m)	19 lb/ft (28 kg/m)
Light Tower w/Luminaire Mount, 80 - 110 ft (24 - 33.5 m)	31 lb/ft (46 kg/m)
Light Tower w/Luminaire Mount, 120 - 140 ft (36.5 - 42.5 m)	65 lb/ft (97 kg/m)
Light Tower w/Luminaire Mount, 150 - 160 ft (45.5 - 48.5 m)	80 lb/ft (119 kg/m)
Metal Railings (excluding wire fence)	
Steel Railing, Type SM	64 lb/ft (95 kg/m)
Steel Railing, Type S-1	39 lb/ft (58 kg/m)
Steel Railing, Type T-1	53 lb/ft (79 kg/m)
Steel Bridge Rail	52 lb/ft (77 kg/m)
Frames and Grates	
Frame	250 lb (115 kg)
Lids and Grates	150 lb (70 kg)

Return With Bid

**ILLINOIS DEPARTMENT
OF TRANSPORTATION**

**OPTION FOR
STEEL COST ADJUSTMENT**

The bidder shall submit this completed form with his/her bid. Failure to submit the form or properly complete contract number, company name, and sign and date the form shall make this contract exempt of steel cost adjustments for all items of steel. Failure to indicate "Yes" for any item of work will make that item of steel exempt from steel cost adjustment. After award, this form, when submitted shall become part of the contract.

Contract No.: _____

Company Name: _____

Contractor's Option:

Is your company opting to include this special provision as part of the contract plans for the following items of work?

- | | | |
|--|-----|--------------------------|
| Metal Piling | Yes | <input type="checkbox"/> |
| Structural Steel | Yes | <input type="checkbox"/> |
| Reinforcing Steel | Yes | <input type="checkbox"/> |
| Dowel Bars, Tie Bars and Mesh Reinforcement | Yes | <input type="checkbox"/> |
| Guardrail | Yes | <input type="checkbox"/> |
| Steel Traffic Signal and Light Poles, Towers and Mast Arms | Yes | <input type="checkbox"/> |
| Metal Railings (excluding wire fence) | Yes | <input type="checkbox"/> |
| Frames and Grates | Yes | <input type="checkbox"/> |

Signature: _____ **Date:** _____

PROJECT LABOR AGREEMENT - QUARTERLY EMPLOYMENT REPORT

Public Act 97-0199 requires the Department to submit quarterly reports regarding the number of minorities and females employed under Project Labor Agreements. To assist in this reporting effort, the Contractor shall provide a quarterly workforce participation report for all minority and female employees working under the project labor agreement of this contract. The data shall be reported on Construction Form BC 820, Project Labor Agreement (PLA) Workforce Participation Quarterly Reporting Form available on the Department's website <http://www.dot.il.gov/const/conforms.html>.

The report shall be submitted no later than the 15th of the month following the end of each quarter (i.e. April 15 for the January – March reporting period). The form shall be emailed to DOT.PLA.Reporting@illinois.gov or faxed to (217) 524-4922.

Any costs associated with complying with this provision shall be considered as included in the contract unit prices bid for the various items of work involved and no additional compensation will be allowed.

Illinois Department of Transportation
PROJECT LABOR AGREEMENT

This Project Labor Agreement (“PLA” or “Agreement”) is entered into this _____ day of _____, 2014, by and between the Illinois Department of Transportation (“IDOT” or “Department”) in its proprietary capacity, and each relevant Illinois AFL-CIO Building Trades signatory hereto as determined by the Illinois AFL-CIO Statewide Project Labor Agreement Committee on behalf of each of its affiliated members (individually and collectively, the “Unions”). This PLA shall apply to Construction Work (as defined herein) to be performed by IDOT’s Prime Contractor and each of its subcontractors of whatever tier (“Subcontractor” or “Subcontractors”) on Contract No. **64F85** (hereinafter, the “Project”).

ARTICLE 1 - INTENT AND PURPOSES

- 1.1 This PLA is entered into in accordance with the Project Labor Agreement Act (“Act”, 30 ILCS 571). It is mutually understood and agreed that the terms and conditions of this PLA are intended to promote the public interest in obtaining timely and economical completion of the Project by encouraging productive and efficient construction operations; by establishing a spirit of harmony and cooperation among the parties; and by providing for peaceful and prompt settlement of any and all labor grievances or jurisdictional disputes of any kind without strikes, lockouts, slowdowns, delays, or other disruptions to the prosecution of the work. The parties acknowledge the obligations of the Contractors and Subcontractors to comply with the provisions of the Act. The parties will work with the Contractors and Subcontractors within the parameters of other statutory and regulatory requirements to implement the Act’s goals and objectives.
- 1.2 As a condition of the award of the contract for performance of work on the Project, IDOT’s Prime Contractor and each of its Subcontractors shall execute a “Contractor Letter of Assent”, in the form attached hereto as Exhibit A, prior to commencing Construction Work on the Project. The Contractor shall submit a Subcontractor’s Contractor Letter of Assent to the Department prior to the Subcontractor’s performance of Construction Work on the Project. Upon request copies of the applicable collective bargaining agreements will be provided by the appropriate signatory labor organization consistent with this Agreement and at the pre-job conference referenced in Article III, Section 3.1.
- 1.3 Each Union affiliate and separate local representing workers engaged in Construction Work on the Project in accordance with this PLA are bound to this agreement by the Illinois AFL-CIO Statewide Project Labor Agreement Committee which is the central committee established with full authority to negotiate and sign PLAs with the State on behalf of all respective crafts. Upon their signing the Contractor Letter of Assent, the Prime Contractor, each Subcontractor, and the individual Unions shall thereafter be deemed a party to this PLA. No party signatory to this PLA shall, contract or subcontract, nor permit any other person, firm, company, or entity to contract or subcontract for the performance of Construction Work for the Project to any person, firm, company, or entity that does not agree in writing to become bound for the term of this Project by the terms of this PLA prior to commencing such work and to the applicable area-wide collective bargaining agreement(s) with the Union(s) signatory hereto.

- 1.4 It is understood that the Prime Contractor(s) and each Subcontractor will be considered and accepted by the Unions as separate employers for the purposes of collective bargaining, and it is further agreed that the employees working under this PLA shall constitute a bargaining unit separate and distinct from all others. The parties hereto also agree that this PLA shall be applicable solely with respect to this Project, and shall have no bearing on the interpretation of any other collective bargaining agreement or as to the recognition of any bargaining unit other than for the specific purposes of this Project.
- 1.5 In the event of a variance or conflict, whether explicit or implicit, between the terms and conditions of this PLA and the provisions of any other applicable national, area, or local collective bargaining agreement, the terms and conditions of this PLA shall supersede and control. For any work performed under the NTL Articles of Agreement, the National Stack/Chimney Agreement, the National Cooling Tower Agreement, the National Agreement of the International Union of Elevator Constructors, and for any instrument calibration work and loop checking performed under the UA/IBEW Joint National Agreement for Instrument and Control Systems Technicians, the preceding sentence shall apply only with respect to Articles I, II, V, VI, and VII.
- 1.6 Subject to the provisions of paragraph 1.5 of this Article, it is the parties' intent to respect the provisions of any other collective bargaining agreements that may now or hereafter pertain, whether between the Prime Contractor and one or more of the Unions or between a Subcontractor and one or more of the Unions. Accordingly, except and to the extent of any contrary provision set forth in this PLA, the Prime Contractor and each of its Subcontractors agrees to be bound and abide by the terms of the following in order of precedence: (a) the applicable collective bargaining agreement between the Prime Contractor and one or more of the Unions made signatory hereto; (b) the applicable collective bargaining agreement between a Subcontractor and one or more of the Unions made signatory hereto; or (c) the current applicable area collective bargaining agreement for the relevant Union that is the agreement certified by the Illinois Department of Labor for purposes of establishing the Prevailing Wage applicable to the Project. The Union will provide copies of the applicable collective bargaining agreements pursuant to part (c) of the preceding sentence to the Prime Contractor. Assignments by the Contractors or Subcontractors amongst the trades shall be consistent with area practices; in the event of unresolved disagreements as to the propriety of such assignments, the provisions of Article VI shall apply.
- 1.7 Subject to the limitations of paragraphs 1.4 to 1.6 of this Article, the terms of each applicable collective bargaining agreement as determined in accordance with paragraph 1.6 are incorporated herein by reference, and the terms of this PLA shall be deemed incorporated into such other applicable collective bargaining agreements only for purposes of their application to the Project.

- 1.8 To the extent necessary to comply with the requirements of any fringe benefit fund to which the Prime Contractor or Subcontractor is required to contribute under the terms of an applicable collective bargaining agreement pursuant to the preceding paragraph, the Prime Contractor or Subcontractor shall execute all "Participation Agreements" as may be reasonably required by the Union to accomplish such purpose; provided, however, that such Participation Agreements shall, when applicable to the Prime Contractor or Subcontractor solely as a result of this PLA, be amended as reasonably necessary to reflect such fact. Upon written notice in the form of a lien of a Contractor's or Subcontractor's delinquency from any applicable fringe benefit fund, IDOT will withhold from the Contractor's periodic pay request an amount sufficient to extinguish any delinquency obligation of the Contractor or Subcontractor arising out of the Project.
- 1.9 In the event that the applicable collective bargaining agreement between a Prime Contractor and the Union or between the Subcontractor and the Union expires prior to the completion of this Project, the expired applicable contract's terms will be maintained until a new applicable collective bargaining agreement is ratified. The wages and fringe benefits included in any new applicable collective bargaining agreement will apply on and after the effective date of the newly negotiated collective bargaining agreement, except to the extent wage and fringe benefit retroactivity is specifically agreed upon by the relevant bargaining parties.

ARTICLE II – APPLICABILITY, RECOGNITION, AND COMMITMENTS

- 2.1 The term Construction Work as used herein shall include all "construction, demolition, rehabilitation, renovation, or repair" work performed by a "laborer or mechanic" at the "site of the work" for the purpose of "building" the specific structures and improvements that constitute the Project. Terms appearing within quotation marks in the preceding sentence shall have the meaning ascribed to them pursuant to 29 CFR Part 5 and Illinois labor laws.
- 2.2 By executing the Letters of Assent, Prime Contractor and each of its Subcontractors recognizes the Unions signatory to this PLA as the sole and exclusive bargaining representatives for their craft employees employed on the jobsite for this Project. Unions who are signatory to this PLA will have recognition on the Project for their craft.
- 2.3 The Prime Contractor and each of its Subcontractors retains and shall be permitted to exercise full and exclusive authority and responsibility for the management of its operations, except as expressly limited by the terms of this PLA or by the terms and conditions of the applicable collective bargaining agreement.
- 2.4 Except to the extent contrary to an express provision of the relevant collective bargaining agreement, equipment or materials used in the Project may be pre-assembled or pre-fabricated, and there shall be no refusal by the Union to handle, transport, install, or connect such equipment or materials. Equipment or materials delivered to the job-site will be unloaded and handled promptly without regard to potential jurisdictional disputes; any such disputes shall be handled in accordance with the provisions of this PLA.
- 2.5 The parties are mutually committed to promoting a safe working environment for all personnel at the job-site. It shall be the responsibility of each employer to which this PLA applies to provide and maintain safe working conditions for its employees, and to comply with all applicable federal, state, and local health and safety laws and regulations.

- 2.6 The use or furnishing of alcohol or drugs and the conduct of any other illegal activity at the job-site is strictly prohibited. The parties shall take every practical measure consistent with the terms of applicable collective bargaining agreements to ensure that the job-site is free of alcohol and drugs.
- 2.7 All parties to this PLA agree that they will not discriminate against any employee based on race, creed, religion, color, national origin, union activity, age, gender or sexual orientation and shall comply with all applicable federal, state, and local laws.
- 2.8 In accordance with the Act and to promote diversity in employment, IDOT will establish, in cooperation with the other parties, the apprenticeship hours which are to be performed by minorities and females on the Project. IDOT shall consider the total hours to be performed by these underrepresented groups, as a percentage of the workforce, and create aspirational goals for each Project, based on the level of underutilization for the service area of the Project (together "Project Employment Objectives"). IDOT shall provide a quarterly report regarding the racial and gender composition of the workforce on the Project.

Persons currently lacking qualifications to enter apprenticeship programs will have the opportunity to obtain skills through basic training programs as have been established by the Department. The parties will endeavor to support such training programs to allow participants to obtain the requisite qualifications for the Project Employment Objectives.

The parties agree that all Contractors and Subcontractors working on the Project shall be encouraged to utilize the maximum number of apprentices as permitted under the terms of the applicable collective bargaining agreements to realize the Project Employment Objectives.

The Unions shall assist the Contractor and each Subcontractor in efforts to satisfy Project Employment Objectives. A Contractor or Subcontractor may request from a Union specific categories of workers necessary to satisfy Project Employment Objectives. The application of this section shall be consistent with all local Union collective bargaining agreements, and the hiring hall rules and regulations established for the hiring of personnel, as well as the apprenticeship standards set forth by each individual Union.

- 2.9 The parties hereto agree that engineering/architectural/surveying consultants' materials testing employees are subject to the terms of this PLA for Construction Work performed for a Contractor or Subcontractor on this Project. These workers shall be fully expected to objectively and responsibly perform their duties and obligations owed to the Department without regard to the potential union affiliation of such employees or of other employees on the Project.
- 2.10 This Agreement shall not apply to IDOT employees or employees of any other governmental entity.

ARTICLE III - ADMINISTRATION OF AGREEMENT

- 3.1 In order to assure that all parties have a clear understanding of the PLA, and to promote harmony, at the request of the Unions a post-award pre-job conference will be held among the Prime Contractor, all Subcontractors and Union representatives prior to the start of any Construction Work on the Project. No later than the conclusion of such pre-job conference, the parties shall, among other matters, provide to one another contact information for their respective representatives (including name, address, phone number, facsimile number, e-mail). Nothing herein shall be construed to limit the right of the Department to discuss or explain the purpose and intent of this PLA with prospective bidders or other interested parties prior to or following its award of the job.
- 3.2 Representatives of the Prime Contractor and the Unions shall meet as often as reasonably necessary following award until completion of the Project to assure the effective implementation of this PLA.
- 3.3 Any notice contemplated under Article VI and VII of this Agreement to a signatory labor organization shall be made in writing to the Local Union with copies to the local union's International Representative.

ARTICLE IV - HOURS OF WORK AND GENERAL CONDITIONS

- 4.1 The standard work day and work week for Construction Work on the Project shall be consistent with the respective collective bargaining agreements. In the event Project site or other job conditions dictate a change in the established starting time and/or a staggered lunch period for portions of the Project or for specific crafts, the Prime Contractor, relevant Subcontractors and business managers of the specific crafts involved shall confer and mutually agree to such changes as appropriate. If proposed work schedule changes cannot be mutually agreed upon between the parties, the hours fixed at the time of the pre-job meeting shall prevail.
- 4.2 Shift work may be established and directed by the Prime Contractor or relevant Subcontractor as reasonably necessary or appropriate to fulfill the terms of its contract with the Department. If used, shift hours, rates and conditions shall be as provided in the applicable collective bargaining agreement.
- 4.3 The parties agree that chronic and/or unexcused absenteeism is undesirable and must be controlled in accordance with procedures established by the applicable collective bargaining agreement. Any employee disciplined for absenteeism in accordance with such procedures shall be suspended from all work on the Project for not less than the maximum period permitted under the applicable collective bargaining agreement.
- 4.4 Except as may be otherwise expressly provided by the applicable collective bargaining agreement, employment begins and ends at the Project site; employees shall be at their place of work at the starting time; and employees shall remain at their place of work until quitting time.
- 4.5 Except as may be otherwise expressly provided by the applicable collective bargaining agreement, there shall be no limit on production by workmen, no restrictions on the full use of tools or equipment, and no restrictions on efficient use of manpower or techniques of construction other than as may be required by safety regulations.

- 4.6 The parties recognize that specialized or unusual equipment may be installed on the Project. In such cases, the Union recognizes the right of the Prime Contractor or Subcontractor to involve the equipment supplier or vendor's personnel in supervising the setting up of the equipment, making modifications and final alignment, and performing similar activities that may be reasonably necessary prior to and during the start-up procedure in order to protect factory warranties. The Prime Contractor or Subcontractor shall notify the Union representatives in advance of any work at the job-site by such vendor personnel in order to promote a harmonious relationship between the equipment vendor's personnel and other Project employees.
- 4.7 For the purpose of promoting full and effective implementation of this PLA, authorized Union representatives shall have access to the Project job-site during scheduled work hours. Such access shall be conditioned upon adherence to all reasonable visitor and security rules of general applicability that may be established for the Project site at the pre-job conference or from time to time thereafter.

ARTICLE V – GRIEVANCE PROCEDURES FOR DISPUTES ARISING UNDER A PARTICULAR COLLECTIVE BARGAINING AGREEMENT

- 5.1 In the event a dispute arises under a particular collective bargaining agreement specifically not including jurisdictional disputes referenced in Article VI below, said dispute shall be resolved by the Grievance/Arbitration procedure of the applicable collective bargaining agreement. The resulting determination from this process shall be final and binding on all parties bound to its process.
- 5.2 Employers covered under this Agreement shall have the right to discharge or discipline any employee who violates the provisions of this Agreement. Such discharge or discipline by a contractor or subcontractor shall be subject to Grievance/Arbitration procedure of the applicable collective bargaining agreement only as to the fact of such violation of this agreement. If such fact is established, the penalty imposed shall not be disturbed. Work at the Project site shall continue without disruption or hindrance of any kind as a result of a Grievance/Arbitration procedure under this Article.
- 5.3 In the event there is a deadlock in the foregoing procedure, the parties agree that the matter shall be submitted to arbitration for the selection and decision of an Arbitrator governed under paragraph 6.8.

ARTICLE VI –DISPUTES: GENERAL PRINCIPLES

- 6.1 This Agreement is entered into to prevent strikes, lost time, lockouts and to facilitate the peaceful adjustment of jurisdictional disputes in the building and construction industry and to prevent waste and unnecessary avoidable delays and expense, and for the further purpose of at all times securing for the employer sufficient skilled workers.
- 6.2 A panel of Permanent Arbitrators are attached as addendum (A) to this agreement. By mutual agreement between IDOT and the Unions, the parties can open this section of the agreement as needed to make changes to the list of permanent arbitrators.

- 6.3 The PLA Jurisdictional Dispute Resolution Process (“Process”) sets forth the procedures below to resolve jurisdictional disputes between and among Contractors, Subcontractors, and Unions engaged in the building and construction industry. Further, the Process will be followed for any grievance or dispute arising out of the interpretation or application of this PLA by the parties except for the prohibition on attorneys contained in 6.11. All decisions made through the Process are final and binding upon all parties.

DISPUTE PROCESS

- 6.4 Administrative functions under the Process shall be performed through the offices of the President and/or Secretary-Treasurer of the Illinois State Federation of Labor, or their designated representative, called the Administrator. In no event shall any officer, employee, agent, attorney, or other representative of the Illinois Federation of Labor, AFL-CIO be subject to any subpoena to appear or testify at any jurisdictional dispute hearing.
- 6.5 There shall be no abandonment of work during any case participating in this Process or in violation of the arbitration decision. All parties to this Process release the Illinois State Federation of Labor (“Federation”) from any liability arising from its action or inaction and covenant not to sue the Federation, nor its officers, employees, agents or attorneys.
- 6.6 In the event of a dispute relating to trade or work jurisdiction, all parties, including the employers, Contractors or Subcontractors, agree that a final and binding resolution of the dispute shall be resolved as follows:
- (a) Representatives of the affected trades and the Contractor or Subcontractor shall meet on the job site within two (2) business days after receiving written notice in an effort to resolve the dispute. (In the event there is a dispute between local unions affiliated with the same International Union, the decision of the General President, or his/her designee, as the internal jurisdictional authority of that International Union, shall constitute a final and binding decision and determination as to the jurisdiction of work.)
 - (b) If no settlement is achieved subsequent to the preceding Paragraph, the matter shall be referred to the local area Building & Construction Trades Council, which shall meet with the affected trades within two (2) business days subsequent to receiving written notice. In the event the parties do not wish to avail themselves of the local Building & Construction Trades Council, the parties may elect to invoke the services of their respective International Representatives with no extension of the time limitations. An agreement reached at this Step shall be final and binding upon all parties.

(c) If no settlement agreement is reached during the proceedings contemplated by Paragraphs "a" or "b" above, the matter shall be immediately referred to the Illinois Jurisdictional Dispute Process for final and binding resolution of said dispute. Said referral submission shall be in writing and served upon the Illinois State Federation of Labor, or the Administrator, pursuant to paragraph 6.4 of this agreement. The Administrator shall, within three (3) days, provide for the selection of an available Arbitrator to hear said dispute within this time period. Upon good cause shown and determined by the Administrator, an additional three (3) day extension for said hearing shall be granted at the sole discretion of the Administrator. Only upon mutual agreement of all parties may the Administrator extend the hearing for a period in excess of the time frames contemplated under this Paragraph. Business days are defined as Monday through Friday, excluding contract holidays.

6.7 The primary concern of the Process shall be the adjustment of jurisdictional disputes arising out of the Project. A sufficient number of Arbitrators shall be selected from list of approved Arbitrators as referenced Sec. 6.2 and shall be assigned per Sec. 6.8. Decisions shall be only for the Project and shall become effective immediately upon issuance and complied with by all parties. The authority of the Arbitrator shall be restricted and limited specifically to the terms and provisions of Article VI and generally to this Agreement as a whole.

6.8 The Arbitrator chosen shall be randomly selected based on the list of Arbitrators in Sec. 6.2 and geographical location of the jurisdictional dispute and upon his/her availability, and ability to conduct a Hearing within two (2) business days of said notice. The Arbitrator may issue a "bench" decision immediately following the Hearing or he/she may elect to only issue a written decision, said decision must be issued within two (2) business days subsequent to the completion of the Hearing. Copies of all notices, pleadings, supporting memoranda, decisions, etc. shall be provided to all disputing parties and the Illinois State Federation of Labor.

Any written decision shall be in accordance with this Process and shall be final and binding upon all parties to the dispute and may be a "short form" decision. Fees and costs of the arbitrator shall be divided evenly between the contesting parties except that any party wishing a full opinion and decision beyond the short form decision shall bear the reasonable fees and costs of such full opinion. The decision of the Arbitrator shall be final and binding upon the parties hereto, their members, and affiliates.

In cases of jurisdictional disputes or other disputes between a signatory labor organization and another labor organization, both of which is an affiliate or member of the same International Union, the matter or dispute shall be settled in the manner set forth by their International Constitution and/or as determined by the International Union's General President whose decision shall be final and binding upon all parties. In no event shall there be an abandonment of work.

6.9 In rendering a decision, the Arbitrator shall determine:

(a) First, whether a previous agreement of record or applicable agreement, including a disclaimer agreement, between National or International Unions to the dispute or agreements between local unions involved in the dispute, governs;

- (b) Only if the Arbitrator finds that the dispute is not covered by an appropriate or applicable agreement of record or agreement between the crafts to the dispute, he shall then consider the established trade practice in the industry and prevailing practice in the locality. Where there is a previous decision of record governing the case, the Arbitrator shall give equal weight to such decision of record, unless the prevailing practice in the locality in the past ten years favors one craft. In that case, the Arbitrator shall base his decision on the prevailing practice in the locality. Except, that if the Arbitrator finds that a craft has improperly obtained the prevailing practice in the locality through raiding, the undercutting of wages or by the use of vertical agreements, the Arbitrator shall rely on the decision of record and established trade practice in the industry rather than the prevailing practice in the locality; and,
- (c) Only if none of the above criteria is found to exist, the Arbitrator shall then consider that because efficiency, cost or continuity and good management are essential to the well being of the industry, the interests of the consumer or the past practices of the employer shall not be ignored.
- 6.10 The Arbitrator shall set forth the basis for his/her decision and shall explain his/her findings regarding the applicability of the above criteria. If lower ranked criteria are relied upon, the Arbitrator shall explain why the higher-ranked criteria were not deemed applicable. The Arbitrator's decision shall only apply to the Project. Agreements of Record, for other PLA projects, are applicable only to those parties signatory to such agreements. Decisions of Record are those that were either attested to by the former Impartial Jurisdictional Disputes Board or adopted by the National Arbitration Panel.
- 6.11 All interested parties, as determined by the Arbitrator, shall be entitled to make presentations to the Arbitrator. Any interested labor organization affiliated to the PLA Committee and party present at the Hearing, whether making a presentation or not, by such presence shall be deemed to accept the jurisdiction of the Arbitrator and to agree to be bound by its decision. In addition to the representative of the local labor organization, a representative of the labor organization's International Union may appear on behalf of the parties. Each party is responsible for arranging for its witnesses. In the event an Arbitrator's subpoena is required, the party requiring said subpoena shall prepare the subpoena for the Arbitrator to execute. Service of the subpoena upon any witness shall be the responsibility of the issuing party.

Attorneys shall not be permitted to attend or participate in any portion of a Hearing.

The parties are encouraged to determine, prior to Hearing, documentary evidence which may be presented to the Arbitrator on a joint basis.

- 6.12 The Order of Presentation in all Hearings before an Arbitrator shall be
- I. Identification and Stipulation of the Parties
 - II. Unions(s) claiming the disputed work presents its case
 - III. Union(s) assigned the disputed work presents its case
 - IV. Employer assigning the disputed work presents its case
 - V. Evidence from other interested parties (i.e., general contractor, project manager, owner)
 - VI. Rebuttal by union(s) claiming the disputed work
 - VII. Additional submissions permitted and requested by Arbitrator
 - VIII. Closing arguments by the parties
- 6.13 All parties bound to the provisions of this Process hereby release the Illinois State Federation of Labor and IDOT, their respective officers, agents, employees or designated representatives, specifically including any Arbitrator participating in said Process, from any and all liability or claim, of whatsoever nature, and specifically incorporating the protections provided in the Illinois Arbitration Act, as amended from time to time.
- 6.14 The Process, as an arbitration panel, nor its Administrator, shall have any authority to undertake any action to enforce its decision(s). Rather, it shall be the responsibility of the prevailing party to seek appropriate enforcement of a decision, including findings, orders or awards of the Arbitrator or Administrator determining non-compliance with a prior award or decision.
- 6.15 If at any time there is a question as to the jurisdiction of the Illinois Jurisdictional Dispute Resolution Process, the primary responsibility for any determination of the arbitrability of a dispute and the jurisdiction of the Arbitrator shall be borne by the party requesting the Arbitrator to hear the underlying jurisdictional dispute. The affected party or parties may proceed before the Arbitrator even in the absence or one or more stipulated parties with the issue of jurisdiction as an additional item to be decided by the Arbitrator. The Administrator may participate in proceedings seeking a declaration or determination that the underlying dispute is subject to the jurisdiction and process of the Illinois Jurisdictional Dispute Resolution Process. In any such proceedings, the non-prevailing party and/or the party challenging the jurisdiction of the Illinois Jurisdictional Dispute Resolution Process shall bear all the costs, expenses and attorneys' fees incurred by the Illinois Jurisdictional Dispute Resolution Process and/or its Administrator in establishing its jurisdiction.

ARTICLE VII - WORK STOPPAGES AND LOCKOUTS

- 7.1 During the term of this PLA, no Union or any of its members, officers, stewards, employees, agents or representatives shall instigate, support, sanction, maintain, or participate in any strike, picketing, walkout, work stoppage, slow down or other activity that interferes with the routine and timely prosecution of work at the Project site or at any other contractor's or supplier's facility that is necessary to performance of work at the Project site. Hand billing at the Project site during the designated lunch period and before commencement or following conclusion of the established standard workday shall not, in itself, be deemed an activity that interferes with the routine and timely prosecution of work on the Project.

7.2 Should any activity prohibited by paragraph 7.1 of this Article occur, the Union shall undertake all steps reasonably necessary to promptly end such prohibited activities.

7.2.A No Union complying with its obligations under this Article shall be liable for acts of employees for which it has no responsibility or for the unauthorized acts of employees it represents. Any employee who participates or encourages any activity prohibited by paragraph 7.1 shall be immediately suspended from all work on the Project for a period equal to the greater of (a) 60 days; or (b) the maximum disciplinary period allowed under the applicable collective bargaining agreement for engaging in comparable unauthorized or prohibited activity.

7.2.B Neither the PLA Committee nor its affiliates shall be liable for acts of employees for which it has no responsibility. The principal officer or officers of the PLA Committee will immediately instruct, order and use the best efforts of his office to cause the affiliated union or unions to cease any violations of this Article. The PLA Committee in its compliance with this obligation shall not be liable for acts of its affiliates. The principal officer or officers of any involved affiliate will immediately instruct, order or use the best effort of his office to cause the employees the union represents to cease any violations of this Article. A union complying with this obligation shall not be liable for unauthorized acts of employees it represents. The failure of the Contractor to exercise its rights in any instance shall not be deemed a waiver of its rights in any other instance.

During the term of this PLA, the Prime Contractor and its Subcontractors shall not engage in any lockout at the Project site of employees covered by this Agreement.

7.3 Upon notification of violations of this Article, the principal officer or officers of the local area Building and Construction Trades Council, and the Illinois AFL-CIO Statewide Project Labor Agreement Committee as appropriate, will immediately instruct, order and use their best efforts to cause the affiliated union or unions to cease any violations of this Article. A Trades Council and the Committee otherwise in compliance with the obligations under this paragraph shall not be liable for unauthorized acts of its affiliates.

7.4 In the event that activities in violation of this Article are not immediately halted through the efforts of the parties, any aggrieved party may invoke the special arbitration provisions set forth in paragraph 7.5 of this Article.

7.5 Upon written notice to the other involved parties by the most expeditious means available, any aggrieved party may institute the following special arbitration procedure when a breach of this Article is alleged:

7.5.A The party invoking this procedure shall notify the individual designated as the Permanent Arbitrator pursuant to paragraph 6.8 of the nature of the alleged violation; such notice shall be by the most expeditious means possible. The initiating party may also furnish such additional factual information as may be reasonably necessary for the Permanent Arbitrator to understand the relevant circumstances. Copies of any written materials provided to the arbitrator shall also be contemporaneously provided by the most expeditious means possible to the party alleged to be in violation and to all other involved parties.

- 7.5.B Upon receipt of said notice the Permanent Arbitrator shall set and hold a hearing within twenty-four (24) hours if it is contended the violation is ongoing, but not before twenty-four (24) hours after the written notice to all parties involved as required above.
- 7.5.C The Permanent Arbitrator shall notify the parties by facsimile or any other effective written means, of the place and time chosen by the Permanent Arbitrator for this hearing. Said hearing shall be completed in one session. A failure of any party or parties to attend said hearing shall not delay the hearing of evidence or issuance of an Award by the Permanent Arbitrator.
- 7.5.D The sole issue at the hearing shall be whether a violation of this Article has, in fact, occurred. An Award shall be issued in writing within three (3) hours after the close of the hearing, and may be issued without a written opinion. If any party desires a written opinion, one shall be issued within fifteen (15) days, but its issuance shall not delay compliance with, or enforcement of, the Award. The Permanent Arbitrator may order cessation of the violation of this Article, and such Award shall be served on all parties by hand or registered mail upon issuance.
- 7.5.E Such Award may be enforced by any court of competent jurisdiction upon the filing of the Award and such other relevant documents as may be required. Facsimile or other hardcopy written notice of the filing of such enforcement proceedings shall be given to the other relevant parties. In a proceeding to obtain a temporary order enforcing the Permanent Arbitrator's Award as issued under this Article, all parties waive the right to a hearing and agree that such proceedings may be ex parte. Such agreement does not waive any party's right to participate in a hearing for a final order of enforcement. The Court's order or orders enforcing the Permanent Arbitrator's Award shall be served on all parties by hand or by delivery to their last known address or by registered mail.
- 7.6 Individuals found to have violated the provisions of this Article are subject to immediate termination. In addition, IDOT reserves the right to terminate this PLA as to any party found to have violated the provisions of this Article.
- 7.7 Any rights created by statute or law governing arbitration proceedings inconsistent with the above procedure or which interfere with compliance therewith are hereby waived by parties to whom they accrue.
- 7.8 The fees and expenses of the Permanent Arbitrator shall be borne by the party or parties found in violation, or in the event no violation is found, such fees and expenses shall be borne by the moving party.

ARTICLE VIII – TERMS OF AGREEMENT

- 8.1 If any Article or provision of this Agreement shall be declared invalid, inoperative or unenforceable by operation of law or by any of the above mentioned tribunals of competent jurisdiction, the remainder of this Agreement or the application of such Article or provision to persons or circumstances other than those as to which it has been held invalid, inoperative or unenforceable shall not be affected thereby.
- 8.2 This Agreement shall be in full force as of and from the date of the Notice of Award until the Project contract is closed.

- 8.3 This PLA may not be changed or modified except by the subsequent written agreement of the parties. All parties represent that they have the full legal authority to enter into this PLA. This PLA may be executed by the parties in one or more counterparts.
- 8.4 Any liability arising out of this PLA shall be several and not joint. IDOT shall not be liable to any person or other party for any violation of this PLA by any other party, and no Contractor or Union shall be liable for any violation of this PLA by any other Contractor or Union.
- 8.5 The failure or refusal of a party to exercise its rights hereunder in one or more instances shall not be deemed a waiver of any such rights in respect of a separate instance of the same or similar nature.

[The Balance of This Page Intentionally Left Blank]

Addendum A

IDOT Slate of Permanent Arbitrators

1. Bruce Feldacker
2. Thomas F. Gibbons
3. Edward J. Harrick
4. Brent L. Motchan
5. Robert Perkovich
6. Byron Yaffee
7. Glenn A. Zipp

Execution Page

Illinois Department of Transportation

Omer Osman, Director of Highways

Matthew Hughes, Director Finance & Administration

Michael A. Forti, Chief Counsel

Ann L. Schneider, Secretary

(Date)

Illinois AFL-CIO Statewide Project Labor Agreement Committee, representing the Unions listed below:

(Date)

List Unions:

****RETURN WITH BID****

Exhibit A - Contractor Letter of Assent

(Date)

To All Parties:

In accordance with the terms and conditions of the contract for Construction Work on [Contract No. **64F85**], this Letter of Assent hereby confirms that the undersigned Prime Contractor or Subcontractor agrees to be bound by the terms and conditions of the Project Labor Agreement established and entered into by the Illinois Department of Transportation in connection with said Project.

It is the understanding and intent of the undersigned party that this Project Labor Agreement shall pertain only to the identified Project. In the event it is necessary for the undersigned party to become signatory to a collective bargaining agreement to which it is not otherwise a party in order that it may lawfully make certain required contributions to applicable fringe benefit funds, the undersigned party hereby expressly conditions its acceptance of and limits its participation in such collective bargaining agreement to its work on the Project.

(Authorized Company Officer)

(Company)

****RETURN WITH BID****

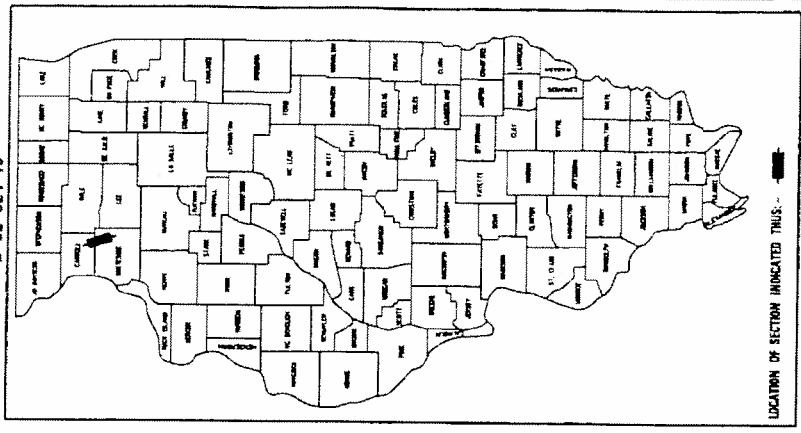
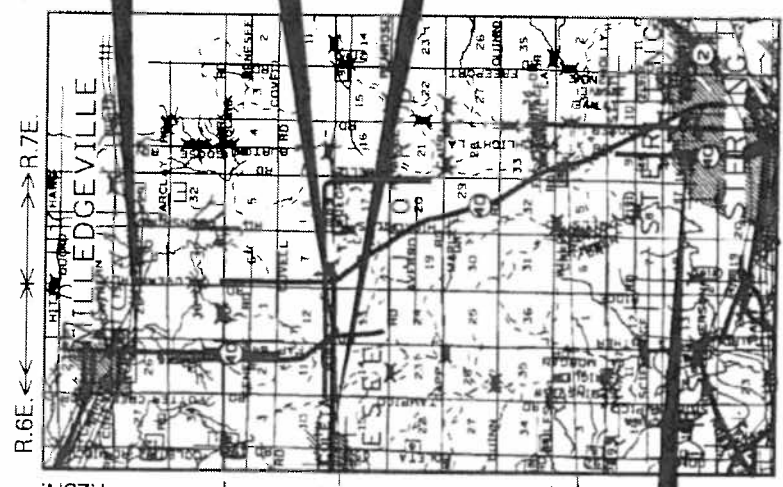
F.A.P. RTE.	SECTION	COUNTIES	TOTAL SHEETS	SHEET NO.
646	(7,8,9)RS-2	**	85	1
* IL RTE 40		ILLINOIS	CONTRACT NO. 64F85	
		** WHITESIDE/CARROLL		

STATE OF ILLINOIS
DEPARTMENT OF TRANSPORTATION
DIVISION OF HIGHWAYS

PROPOSED
HIGHWAY PLANS

FAP ROUTE 646 (IL 40) & FAS Z187A (PILGRIM AD)
SECTION (7,8,9)RS-2
PROJECT
WHITESIDE & CARROLL COUNTIES

C-92-028-13



STATE OF ILLINOIS
DEPARTMENT OF TRANSPORTATION
DIVISION OF HIGHWAYS

SUBMITTED *May 14 1985* 20 19
June 2, 1985
DEPUTY DIRECTOR OF HIGHWAYS, REGION ENGINEER

ENGINEER OF DESIGN AND ENVIRONMENT
20

DIRECTOR OF HIGHWAYS, CHIEF ENGINEER
20

PRINTED BY THE AUTHORITY
OF THE STATE OF ILLINOIS

FOR INDEX OF SHEETS & STATE STANDARDS
SEE SHEET NO. 2

STA. 0 + 00 AH
STA. 1388 + 09.5 BK
CARROLL COUNTY
WHITESIDE COUNTY

BRIDGE OMISSION
STA. 1165 + 18 TO
1166 + 45

BRIDGE OMISSION
STA. 936 + 15 TO
950 + 48

IMPROVEMENT /
PROJECT BEGINS
STA. 834 + 37.5

TOWNSHIP (SECTION):
STERLING (4, 9, 16)
JORDAN (7, 17, 18, 19, 20, 29, 32, 33)
GENESSEE (2, 10, 11, 12, 13, 14, 15)
WYSOX (28, 35)

SQUAD LEADER: MAT DOBIE (815)284-5362
PROJECT ENGINEER: MATTHEW FARMER
CONTRACT NO. 64F85

GROSS LENGTH OF PROJECT = 75,381.5 FEET = 14.3 MILES
OMISSION LENGTH = 1560 FEET = 0.3 MILES
NET LENGTH OF PROJECT = 73,821.5 FEET = 14.0 MILES

FAP ROUTE 646 (IL 40) SECTION (7,8,9)RS-2 WHITESIDE/CARROLL COUNTIES

DISTRICT 2
DIXON

INDEX OF SHEETS

1	COVER SHEET
2	INDEX OF SHEETS / STATE STANDARDS
3 - 5	GENERAL NOTES
6 - 9	SUMMARY OF QUANTITIES
10 - 18	TYPICAL SECTIONS - IL 40
* 19 - 24	TYPICAL SECTIONS - PILGRIM ROAD
25 - 26	HMA SCHEDULE - IL 40 MAINLINE
27	HMA SCHEDULE - PILGRIM ROAD MAINLINE
28 - 30	SHOULDER SCHEDULE - IL 40 NORTHBOUND
31 - 33	SHOULDER SCHEDULE - IL 40 SOUTHBOUND
34	SHOULDER SCHEDULE - PILGRIM ROAD
35 - 36	SIDEROAD & ENTRANCE SCHEDULE - IL 40
37	SIDEROAD & ENTRANCE SCHEDULE - PILGRIM ROAD
38 - 48	SCHEDULE OF QUANTITIES
49 - 50	PATCHING DETAIL
51 - 66	PAVEMENT MARKINGS
67	PAVEMENT PATCHING FOR HOT-MIX ASPHALT SURFACED PAVEMENT (DIST STD 32.4)
68	PAVEMENT PATCHING DETAIL (DIST STD 33.4)
69	DELINEATOR AND POST ORIENTATION (37.4)
70	EDGE OF PAVEMENT REPAIR (38.4)
71	TYPICAL BENCHING ON EXISTING EMBANKMENT(50.4)
72	TYPICAL MARKING FOR PAINTED ISLANDS (93.4)
73	SUBGRADE REPLACEMENT (DIST STD 97.4)
74	GUARDRAIL EROSION CONTROL TREATMENTS (DS 35.2)
75	HOT-MIX ASPHALT APPROACHES & MAILBOX RETURNS FOR TWO LIFT (3P) RESURFACING PROJECTS (47.2)
76	SAFETY EDGE (3P PROJECTS) (DIST STD 49.2)
77	WITNESS MARKER & PERMANENT SURVEY MARKERS, TYPE II (66.2)
78	ROUGH GROOVED SURFACE SIGN (91.2)
79 - 81	TYPICAL PAVEMENT MARKINGS (41.1)
82 - 85	REMOVE AND REERECT STEEL PLATE BEAM GUARDRAIL (DIST STD 53.1)

* 21 DELETED

STATE STANDARDS

001006	DECIMAL OF AN INCH AND OF A FOOT
280001-07	TEMPORARY EROSION CONTROL SYSTEMS
420001-07	PAVEMENT JOINTS
420101-04	24' (7.2 m) JOINTED PCC PAVEMENT
442101-07	CLASS B PATCHES
442201-03	CLASS C AND D PATCHES
630001-10	STEEL PLATE BEAM GUARDRAIL
630301-06	SHOULDER WIDENING FOR TYPE 1 (SPECIAL) GUARDRAIL TERMINALS
635001-01	DELINEATORS
635006-03	REFLECTOR AND TERMINAL MARKER PLACEMENT
635011-02	REFLECTOR MARKER AND MOUNTING DETAILS
701001-02	OFF-RD OPERATIONS, 2L, 2W, 15' (4.5 M) AWAY
701006-05	OFF-RD OPERATIONS, 2L, 2W, 15' (4.5 M) TO 24" (600 MM) FROM PAVEMENT EDGE
701011-04	OFF-RD MOVING OPERATIONS, 2L, 2W, DAY ONLY
701201-04	LANE CLOSURE, 2L, 2W, DAY ONLY, FOR SPEEDS \geq 45 MPH
701301-04	LANE CLOSURE, 2L, 2W, SHORT TIME OPERATIONS
701306-03	LANE CLOSURE 2L, 2W, SLOW MOVING OPERATIONS DAY ONLY, FOR SPEEDS \geq 45 MPH
701311-03	LANE CLOSURE 2L, 2W, MOVING OPERATIONS - DAY ONLY
701326-04	LANE CLOSURE 2L, 2W, PAVEMENT WIDENING FOR SPEEDS \geq 45 MPH
701501-06	URBAN LANE CLOSURE, 2L, 2W, UNDIVIDED
701701-09	URBAN LANE CLOSURE, MULTILANE INTERSECTION
701901-03	TRAFFIC CONTROL DEVICES
720011-01	METAL POSTS FOR SIGNS, MARKERS & DELINEATORS
728001-01	TELESCOPING STEEL SIGN SUPPORT
729001-01	APPLICATIONS OF TYPES A & B METAL POSTS (FOR SIGNS & MARKERS)
780001-04	TYPICAL PAVEMENT MARKINGS
781001-03	TYPICAL APPLICATIONS RAISED REFLECTIVE PAVEMENT MARKERS

GENERAL NOTES

The final top 4 inches of soil in any right-of-way area disturbed by the Contractor must be capable of supporting vegetation. The soil must be from the A horizon (zero to 2' deep) of soil profiles of local soils.

It is estimated that 300 cubic yards of earth will be hauled to the job from outside the project limits. A shrinkage factor of 25% has been used.

All Borrow/Waste/Use sites must be approved by the Department prior to removing any material from the project or initiating any earthmoving activities, including temporary stockpiling outside the limits of construction.

The Contractor shall seed all disturbed areas within the project limits. Seeding Class 4 or 2A shall be used, except in front of properties where the grass will be mowed, then use Seeding, Class 1. Class 2A shall be used on front slopes and ditch bottoms. Class 4 shall be used behind Type A gutter, on all backslopes and areas behind the backslope, and beyond the toe of front slope on fill sections without ditches.

Fertilizer Nutrients shall be applied at the rate specified in Sections 250 and 252 of the Standard Specifications. This shall be included in the cost of the SEEDING, CLASS 2A.

All "Aggregate Subgrade Improvement" (Section 303), shall be completed in accordance with Articles 311.04, 311.05, 311.05(a), 311.06 and 311.07. All aggregate subgrade thicknesses equal to or less than 12 inches shall be constructed of aggregate of CA02 gradation. All aggregate subgrade thicknesses greater than 12 inches shall be constructed of CS02.

Class C Patches shall be tied to the adjacent lane when the patches are more than 20 feet. The cost of the tie bars shall be included in the cost of the patch.

The existing hot-mix asphalt on private and commercial entrances shall be bladed off or milled and disposed of outside the project limits. This could be the entire entrance or tapered at the end depending on if the mainline is resurfaced or milled and resurfaced. The cost of the blading, milling, rolling, and disposal is included in the contract unit price for INCIDENTAL HOT-MIX ASPHALT SURFACING.

The drop off that occurs at entrance edges as a result of resurfacing of the entrance shall be corrected using aggregate shoulder material. This work shall be paid for by the TON for Aggregate Shoulders of the type specified in the plans.

Milling machines on this project shall be capable of removing a layer of bituminous a minimum 6' wide and 1½ inches in depth in a single pass.

The following Mixture Requirements are applicable for this project:

Mixture Uses(s):	Leveling Binder (MM)	Surface	Surface Sta. 1296+00 to 1330+00	Edge Patch Level Binder	Shoulders - Top	Shoulders - Lower
PG:	PG 64-22	PG 64-22	PG 64-22	PG 64-22	PG 64-22	PG 64-22
Design Air Voids	4.0 @ N50	4.0 @ N50	4.0 @ N50	4.0 @ N50	3.0 @ N50	2 @ N50
Mixture Composition (Gradation Mixture)	IL 9.5 FG	IL 9.5 FG or IL 9.5	IL 9.5	IL 9.5 FG	IL 9.5, 9.5 FG	BAM or IL 19.0
Friction Aggregate	N/A	D	F	N/A	C	N/A
20 Year ESAL	1.8	1.8	1.8	1.8	1.8	N/A
Quality Management Program to be used	QCP	QCP	QC/QA	QC/QA	QC/QA	QC/QA

The Contractor will be required to furnish 5 1/2" high brass stencils as approved by the Engineer and install stationing at 250' intervals. Stationing shall be placed on both lanes of 2-lane highways and on the outside lanes in both directions on 4-lane highways. The stations shall be placed 6" inside the pavement marking edge so they can be read from the shoulder. This work will be included in the cost of the final pavement surface.

The area to be primed shall be limited to that which can be covered with HMA on the next days productivity, but no more than five days in advance of the placement of the HMA, unless approved by the Engineer.

Reflective Crack Control shall be placed on the existing surface prior to any resurfacing, unless pavement is milled then it will be placed on the binder course.

To help avoid excess drop offs at the edge of pavement, the existing aggregate wedge or shoulder is to be pulled up and rolled to match the edge of pavement before placing any bituminous material. All costs associated with pulling up the shoulders shall be considered included in the contract unit price per Ton for HOT-MIX ASPHALT SURFACE COURSE of the type specified.

If, during the grinding or resurfacing operations, the existing mailboxes become a hindrance, the Contractor shall be required to carefully remove and reinstall the mailboxes as directed by the Engineer. This work shall be included in the contract unit price for the INCIDENTAL HOT-MIX ASPHALT SURFACING.

Embankment quantities for the construction of the Traffic Barrier Terminals as shown in the plans are included in quantities for FURNISHED EXCAVATION.

The Contractor shall supply the Resident Engineer with the manufacturer's installation requirements for the type of Steel Plate Beam Guardrail Terminal Type 1 Special (Tangent) or Steel Plate Beam Guardrail Terminal Type I Special (Flared).

One 16d galvanized nail shall be used to toe nail the wood block out to the wood post on all Traffic Barrier Terminal Type I Specials.

Delineators shall be installed as shown in Standard 635001, except that the post shall be rotated 180° and only metal-backed delineators shall be permitted. Delineators shall be placed at the ends of approach guardrail terminal sections, and at each headwall or end section of AR Culverts. This work will be paid for at the contract unit price each for DELINEATORS.

Pavement Marking shall be done according to Standard 780001, except as follows:

1. All words, such as ONLY, shall be 8 feet high.
2. All non-freeway arrows shall be the large size.
3. The distance between yellow no-passing lines shall be 8 inches, not 7 inches, as shown in the detail of Typical Lane and Edge Lines.
4. Centerline Skip Dash Pavement Marking on multi-lane divided, multi-lane undivided, and one-way roadway shall be according to District Standard 41.1.

PERMANENT SURVEY MARKERS, TYPE II, shall be set at intervals of 1 mile or as directed by the Engineer. Bridge or culvert projects shall have one survey marker placed near the structure. Estimated: 10 Each.

Permanent Survey Markers, Type II placed in urban areas should be placed in sidewalk areas. The marker shall be placed as shown on District Standard 66.2. The sidewalk shall be placed around the marker and flush with the top.

Permanent Survey Markers, Type II shall be cast-in-place as shown on District Standard 66.2. Option 2 would be to install a vaulted style, monumented as described by NGS as a 3D monument (Top Security Sleeve Rod Monument), with installation instructions provided by the District Chief of Surveys. If poured in place, the bottom of the marker shall be 5'-0" below the ground surface.

The Permanent Survey Markers, if possible, shall be installed at the beginning of the job and protected throughout.

The Contractor shall submit to the Engineer a description of location, elevation, and coordinates for each permanent survey marker. The horizontal coordinates must be derived by GPS and the elevation derived using an electronic level. The meta data, such as the Geoid used, (NGS adjustment ie: 97 HARN, 03, 07), and the base point(s) name or number shall be submitted along with a complete collection log. If collected using RTK method, it will require either 3 collections (averaged) from 2 different bases, or a minimum of 3 collections (averaged), at least 2 hours apart, from the same base. If using a CORS type network, the collection procedure shall include localizing with check shots on at least 2 different HARN monuments both before and after collection. The level circuit shall be run from furnished mark to furnished mark and then adjusted. The error of closure shall be submitted with the electronic level notes in a recognized format approved by the Engineer and/or the Chief of Surveys. The Engineer shall submit this information to the District Chief of Surveys.

The Contractor shall be responsible for protecting utility property during construction operations as outlined in Article 107.31 of the Standard Specifications. A minimum of 48 hours advance notice is required for non-emergency work. The JULIE number is 800-892-0123. The following listed utilities located within the project limits or immediately adjacent to the project construction limits are members of JULIE:

AT&T Communications (630/552-4677)	Commonwealth Edison Co. (815/490-2869)
AT&T (309/686-3317)	NICOR Gas Co. (630/983-8676)
IL American Water Co. (815/625-3196)	Frontier Legacy (815/772-2078)
Comcast Cable (815/395-8977)	Mediacom (630/365-0045)
City of Sterling/Scott Shumard (815/632-6624)	Village of Milledgeville/Greg Miller (815/225-7152)

IDOT is not a member of JULIE. If you are near any overhead lighting, intersection lighting or traffic signals, contact the IDOT Traffic Office at 815/284-5469 at least 48 hours prior to work.

The Contractor will be allowed to drive an emptied Material Transfer Device (MTD) within the specified construction zone as described in the Bureau of Design and Environment Memorandum and the Special Provision for MTD dated September 26, 2008 for the following subject structures:

- 098-0117 Sta. 936+15 – 950+48 (0.30 mile south of Fulfs Road Lt.)
- 098-0101 Sta. 1165+18 – 1166+45 (0.27 mile south of Pilgrim Road East)
- 098-2002 Sta. 1210+22 – 1210+47 (0.40 mile east of Ridge Road)
- 098-2010 Sta. 9+98 – 10+25 (0.20 mile north of Clark Road)

Existing Raised Reflective Markers between Sta. 936+15 and 950+48 shall not be removed.

COMMITMENTS

No environmental surveys were performed for this project. Construction on Pilgrim Road from IL Route 40 to Main Street in Coleta shall be limited to be within the existing edges of shoulders. No material shall be stockpile or stored off the pavement on Pilgrim Road.

100% STATE

F.A.P. RTE.	COUNTIES	
646 (IL 40)	WHITESIDE/CARROLL	
SECTION	TOT. SHEETS	SHEET NO.
(7.8.9)RS-2	85	6
FAP 646		
FAS 2187A		

SUMMARY OF QUANTITIES

CODE NO.	PAY ITEM	UNIT	TOTAL QUANTITY	COUNTIES		
				WHITESIDE URBAN QUANTITY	WHITESIDE RURAL QUANTITY	CARROLL RURAL QUANTITY
20400800	FURNISHED EXCAVATION	CU YD	300	0	225	75
21101600	TOPSOIL FURNISH AND PLACE, VARIABLE DEPTH	SQ YD	799	799	0	0
21400100	GRADING AND SHAPING DITCHES	FOOT	73	0	73	0
25000210	SEEDING, CLASS 2A	ACRE	0.75	0.40	0.29	0.06
25100630	EROSION CONTROL BLANKET	SQ YD	2,877	1,599	975	303
28000250	TEMPORARY EROSION CONTROL SEEDING	POUND	237	132	80	25
28000400	PERIMETER EROSION BARRIER	FOOT	997	0	745	252
28000500	INLET AND PIPE PROTECTION	EACH	1	0	1	0
30300001	AGGREGATE SUBGRADE IMPROVEMENT	CU YD	61	0	61	0
40600525	LEVELING BINDER (HAND METHOD), N50	TON	62	2	58	2
40600625	LEVELING BINDER (MACHINE METHOD), N50	TON	10,791	400	10,122	269
40600982	HOT-MIX ASPHALT SURFACE REMOVAL - BUTT JOINT	SQ YD	1,961	396	1,340	225
40600985	PORTLAND CEMENT CONCRETE SURFACE REMOVAL-BUTT JOINT	SQ YD	90	0	90	0
40600990	TEMPORARY RAMP	SQ YD	364	75	231	58
40603310	HOT-MIX ASPHALT SURFACE COURSE, MIX "C", N50	TON	5,468	489	4,298	681
40603335	HOT-MIX ASPHALT SURFACE COURSE, MIX "D", N50	TON	15,604	613	14,457	534
40603385	HOT-MIX ASPHALT SURFACE COURSE, MIX "F", N50	TON	906	0	906	0

* SPECIALTY ITEM

		100% STATE		COUNTIES		
F.A.P. RTE.		646 (IL 40)		WHITESIDE/CARROLL		
SECTION		(7.8.9)RS-2		SHEET NO.		
FAP 646		85		7		
		FAS 2187A				
CODE NO.	PAY ITEM	UNIT	TOTAL QUANTITY	WHITESIDE URBAN QUANTITY	WHITESIDE RURAL QUANTITY	CARROLL RURAL QUANTITY
40800050	INCIDENTAL HOT-MIX ASPHALT SURFACING	TON	2,884	406	2,252	226
44000100	PAVEMENT REMOVAL	SQ YD	3	0	3	0
44000158	HOT-MIX ASPHALT SURFACE REMOVAL, 2 1/4"	SQ YD	92,664	3,086	86,994	2,584
44000165	HOT-MIX ASPHALT SURFACE REMOVAL, 4"	SQ YD	283	0	283	0
44201359	CLASS C PATCHES, TYPE IV, 10 INCH	SQ YD	253	0	253	0
44300200	STRIP REFLECTIVE CRACK CONTROL TREATMENT	FOOT	4,585	0	4,585	0
48102100	AGGREGATE WEDGE SHOULDER, TYPE B	TON	9,784	56	8,145	1,583
48203020	HOT-MIX ASPHALT SHOULDERS, 5 3/4"	SQ YD	3	0	3	0
60100080	FRENCH DRAINS	CU YD	1	0	1	0
* 63000001	STEEL PLATE BEAM GUARDRAIL, TYPE A, 6 FOOT POSTS	FOOT	100	0	100	0
* 63100167	TRAFFIC BARRIER TERMINAL, TYPE 1 (SPECIAL) TANGENT	EACH	13	0	10	3
* 63100169	TRAFFIC BARRIER TERMINAL, TYPE 1 (SPECIAL) FLARED	EACH	1	0	0	1
63200310	GUARDRAIL REMOVAL	FOOT	525	0	400	125
63500105	DELINEATORS	EACH	14	0	10	4
* 66700305	PERMANENT SURVEY MARKERS, TYPE II	EACH	10	1	7	2
67000400	ENGINEER'S FIELD OFFICE, TYPE A	CAL MO	5	0	5	0
67100100	MOBILIZATION	LSUM	1	0.1	0.8	0.1

* SPECIALTY ITEM

SUMMARY OF QUANTITIES

100% STATE

		F.A.P. RTE.		COUNTIES	
		646 (IL 40)		WHITESIDE/CARROLL	
		SECTION		TOT. SHEETS	
		(7.8.9)RS-2		85	
		FAP 646		FAS 2187A	
		0005		0005	
		WHITESIDE		CARROLL	
		URBAN		RURAL	
		QUANTITY		QUANTITY	
		0		0.8	
		0		0.8	
		0		0.8	
		1		0	
		0.1		0.8	
		0		5	
		1281		18607	
		1909		6917	
		0		406	
		9,291		216,998	
		0		2,053	
		0		2,022	
		41		230	
		28		952	
		0		4	
		0		10	
		29		871	
		1,028		128	
SUMMARY OF QUANTITIES					
CODE NO.	PAY ITEM	UNIT	TOTAL QUANTITY	0005	0005
70100450	TRAFFIC CONTROL AND PROTECTION, STANDARD 701201	LSUM	1	0	0.2
70100460	TRAFFIC CONTROL AND PROTECTION, STANDARD 701306	LSUM	1	0	0.2
70100500	TRAFFIC CONTROL AND PROTECTION, STANDARD 701326	LSUM	1	0	0.2
70102620	TRAFFIC CONTROL AND PROTECTION, STANDARD 701501	LSUM	1	1	0
70102635	TRAFFIC CONTROL AND PROTECTION, STANDARD 701701	LSUM	1	0.1	0.1
70103815	TRAFFIC CONTROL SURVEILLANCE	CAL DA	5	0	0
70300100	SHORT TERM PAVEMENT MARKING	FOOT	23,117	1281	3229
70301000	WORK ZONE PAVEMENT MARKING REMOVAL	SQ FT	9,890	1909	1064
* 78009000	MODIFIED URETHANE PAVEMENT MARKING - LETTERS AND SYMBOLS	SQ FT	406	0	0
* 78009004	MODIFIED URETHANE PAVEMENT MARKING - LINE 4"	FOOT	253,160	9,291	26,871
* 78009008	MODIFIED URETHANE PAVEMENT MARKING - LINE 8"	FOOT	2,053	0	0
* 78009012	MODIFIED URETHANE PAVEMENT MARKING - LINE 12"	FOOT	2,022	0	0
* 78009024	MODIFIED URETHANE PAVEMENT MARKING - LINE 24"	FOOT	287	41	16
* 78100100	RAISED REFLECTIVE PAVEMENT MARKER	EACH	1,104	28	124
* 78200410	GUARDRAIL MARKERS, TYPE A	EACH	6	0	2
* 78201000	TERMINAL MARKER - DIRECT APPLIED	EACH	14	0	4
78300200	RAISED REFLECTIVE PAVEMENT MARKER REMOVAL	EACH	1,028	29	128

* SPECIALTY ITEM

0.8

100% STATE

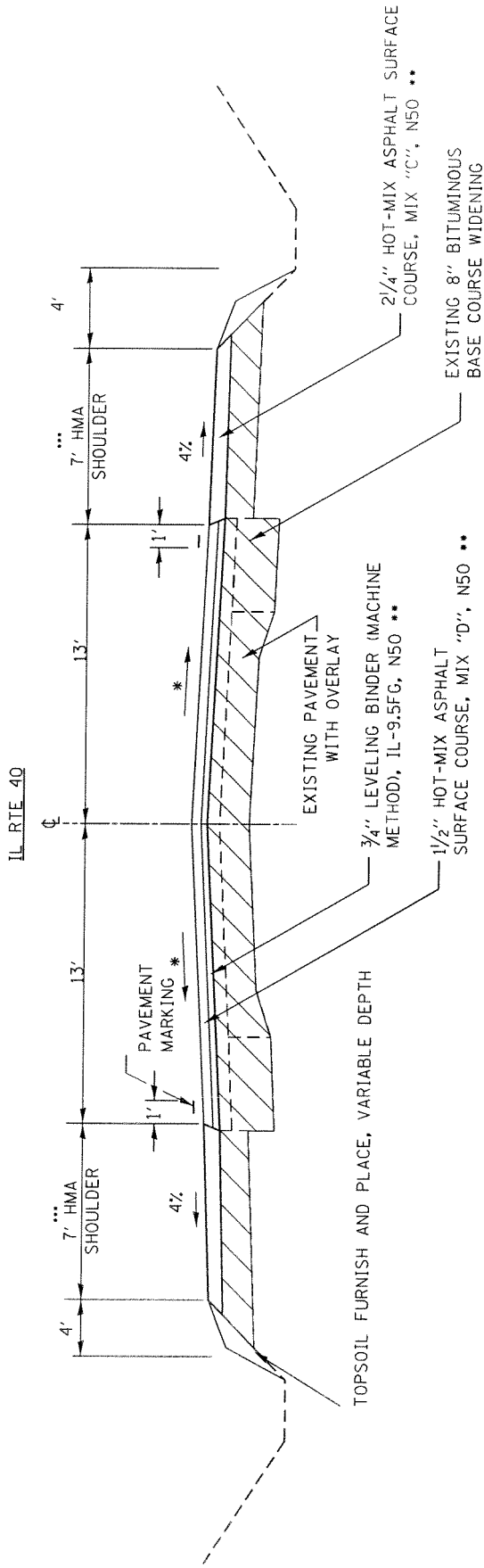
SUMMARY OF QUANTITIES

		F.A.P. RTE.		COUNTIES	
		646 (IL 40)		WHITESIDE/CARROLL	
		SECTION		TOT. SHEETS	
		(7,8,9)RS-2		85	
		FAP646		FAS 2187A	
		0005		0005	
		WHITESIDE		WHITESIDE	
		URBAN		RURAL	
		QUANTITY		QUANTITY	
		1002		5362	
		1002		992	
		0		1,669	
		0		11	
		0		75	
		0		253	
		1013		21,959	
		2		8	
				2	
				803	
				2	
CODE NO.	PAY ITEM	UNIT	TOTAL QUANTITY	WHITESIDE	CARROLL
X4060110	BITUMINOUS MATERIALS (PRIME COAT)	POUND	7,356	5362	992
X6330900	VERTICAL ADJUSTMENT OF GUARDRAIL	FOOT	1,669	1,669	0
Z0001002	GUARDRAIL AGGREGATE EROSION CONTROL	TON	11	11	0
Z0020800	EROSION CONTROL CURB	FOOT	75	75	0
Z0028415	GEOTECHNICAL REINFORCEMENT	SQ YD	253	253	0
Z0034105	MATERIAL TRANSFER DEVICE	TON	23,775	21,959	803
Z0040315	PILOT CAR	DAY	12	8	2

* SPECIALTY ITEM

TYPICAL SECTIONS

STA 835+05 - 852+06
 STA 8+00 - STA 12+57



NOTES:

- * MATCH CROSS SLOPE OF EXISTING SURFACE (MIN. 1/8"/FT CROSS SLOPE) 3/8"/FT DESIRED
- ** RATE OF APPLICATION = 112 LB/SO YD/IN
- *** SEE HMA SCHEDULE FOR SHOULDER WIDTHS

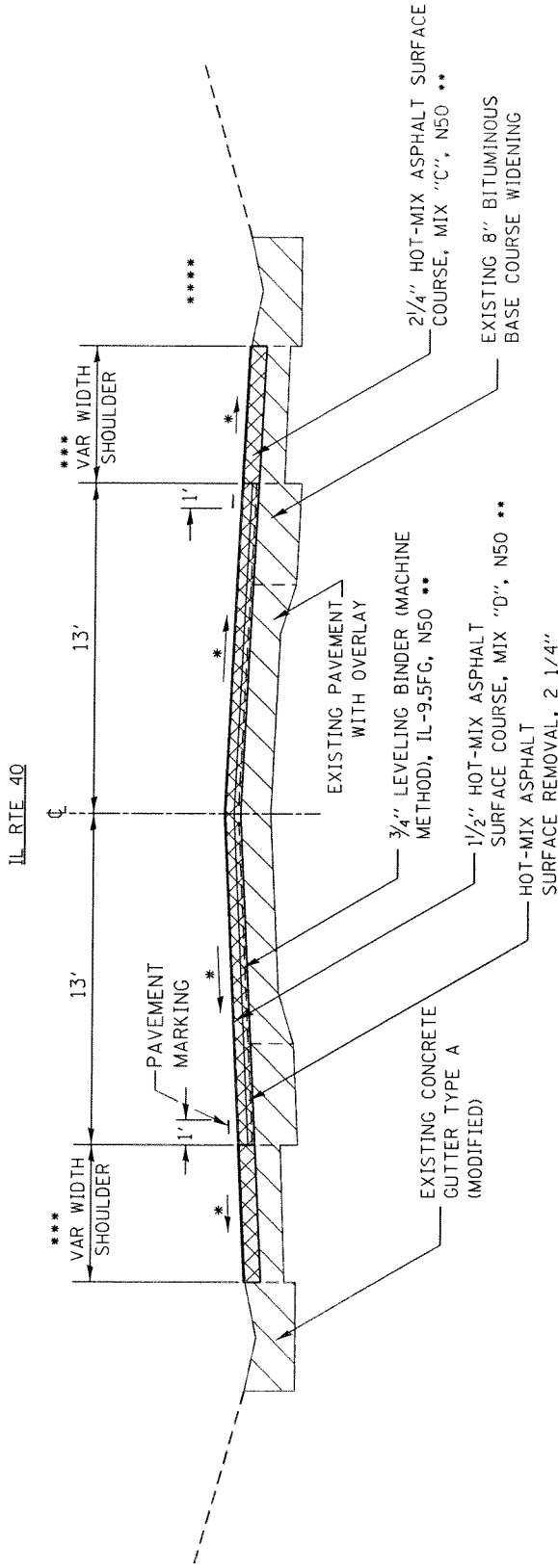


EXISTING

FILE NAME = c:\p...work\pwrtdot\abuhammad\0308313\0202410-sht-typical.dgn		STATE OF ILLINOIS		TYPICAL SECTIONS		*CARROLL AND WHITESIDE	
USER NAME = ABUHANNAW		DEPARTMENT OF TRANSPORTATION		F.A.P. R.T.E. 646		COUNTY	
PLOT DATE = Tue Jan 28 13:17:39 2014				(IL 40)		SECTION (7,8,9)RS-2	
				TOTAL SHEET SHEETS 85		CONTRACT NO. 64F85	
				FED. ROAD DIST. NO.		ILLINOIS FED. AID PROJECT	

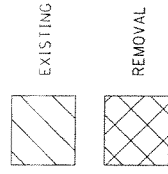
TYPICAL SECTIONS

- STA 852+96 - 865+65
- STA 950+48 - 979+70
- STA 1329+00 - 1365+70
- STA 16+50 - 22+00
- STA 986+00 - 1002+60
- STA 1087+40 - 1101+00
- STA 1128+00 - 1165+18



NOTES:

- * MATCH CROSS SLOPE OF MILLED SURFACE (MIN. 1/8"/FT CROSS SLOPE) 3/16"/FT DESIRED
 - ** RATE OF APPLICATION = 112 LB/SQ YD/IN
 - *** SEE HMA SCHEDULE FOR SHOULDER WIDTHS
 - **** VARIOUS LOCATIONS
- NOTE: STA 1329+00 - 1330+00 REPLACE THE 1/2" HOT-MIX ASPHALT SURFACE COURSE, MIX 'D', N50 WITH 1/2" HOT-MIX ASPHALT SURFACE COURSE, MIX 'F', N50



FILE NAME = c:\p...work\p...dot\abuhaman\9830831\202410-sht-typical.dgn		STATE OF ILLINOIS		*CARROLL AND WHITESIDE	
USER NAME = ABUHAMAN		DEPARTMENT OF TRANSPORTATION		COUNTY	
PLOT DATE = Fri May 09 09:24:10 2014		TYPICAL SECTIONS		SECTION	
				TOTAL SHEETS	
				85	
				CONTRACT NO. 64E85	
				F.A.P. R.T.E. -646	
				(IL 40)	
				FED. ROAD DIST. NO. -	
				ILLINOIS	
				FED. AID PROJECT	

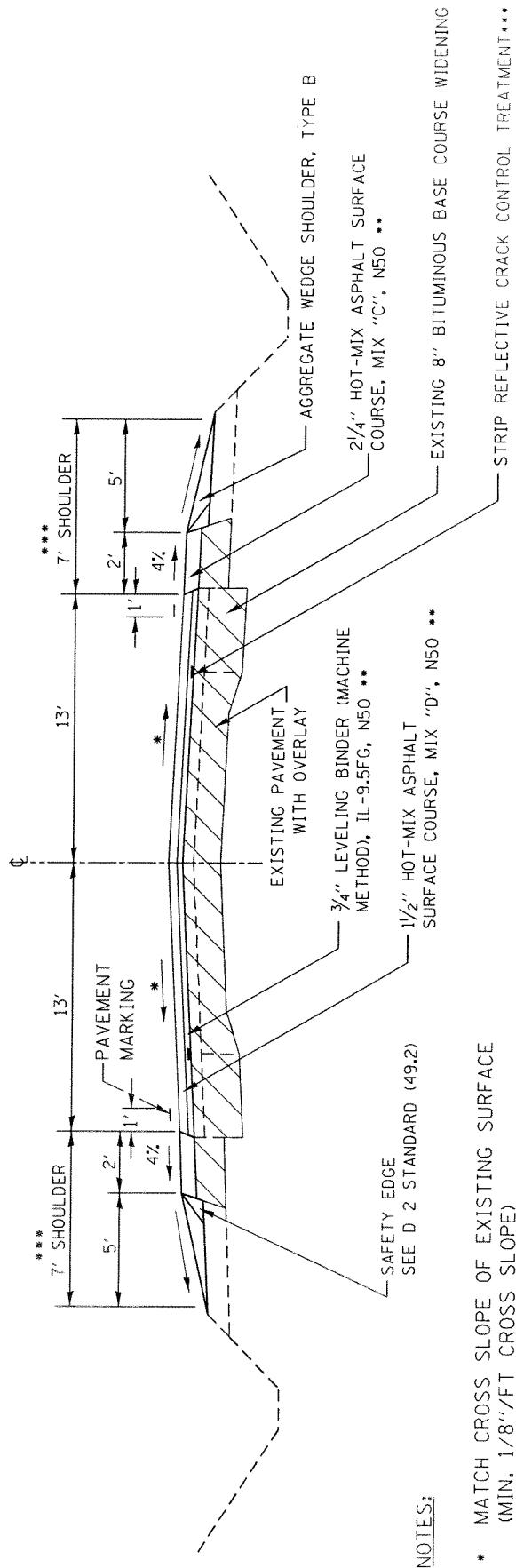
TYPICAL SECTIONS

- STA 880+05 - STA 935+47.5
- STA 980+60 - STA 985+10
- STA 1003+50 - STA 1086+50
- STA 1101+90 - STA 1127+10
- STA 1167+12.5 - STA 1174+50
- STA 1189+39 - STA 1250+10
- STA 1288+90 - STA 1328+10

***** 3' HMA /4' AGG SHLDR FROM LT & RT STA 1167+12.5 - 1170+63
AND FROM LT & RT STA 1185+62 - 1194+06

STA 1366+60 - STA 1388+09.5 (WHITESIDE/CARROLL CO LINE)
STA 0+00 (WHITESIDE/CARROLL CO LINE) - STA 8+00
STA 12+57 - 15+60
STA 22+90 - 98+04

IL RTE 40



NOTES:

- * MATCH CROSS SLOPE OF EXISTING SURFACE (MIN. 1/8"/FT CROSS SLOPE) 3/16"/FT DESIRED
- ** RATE OF APPLICATION = 112 LB/SQ YD/IN
- *** SEE SCHEDULE FOR LOCATIONS

EXISTING

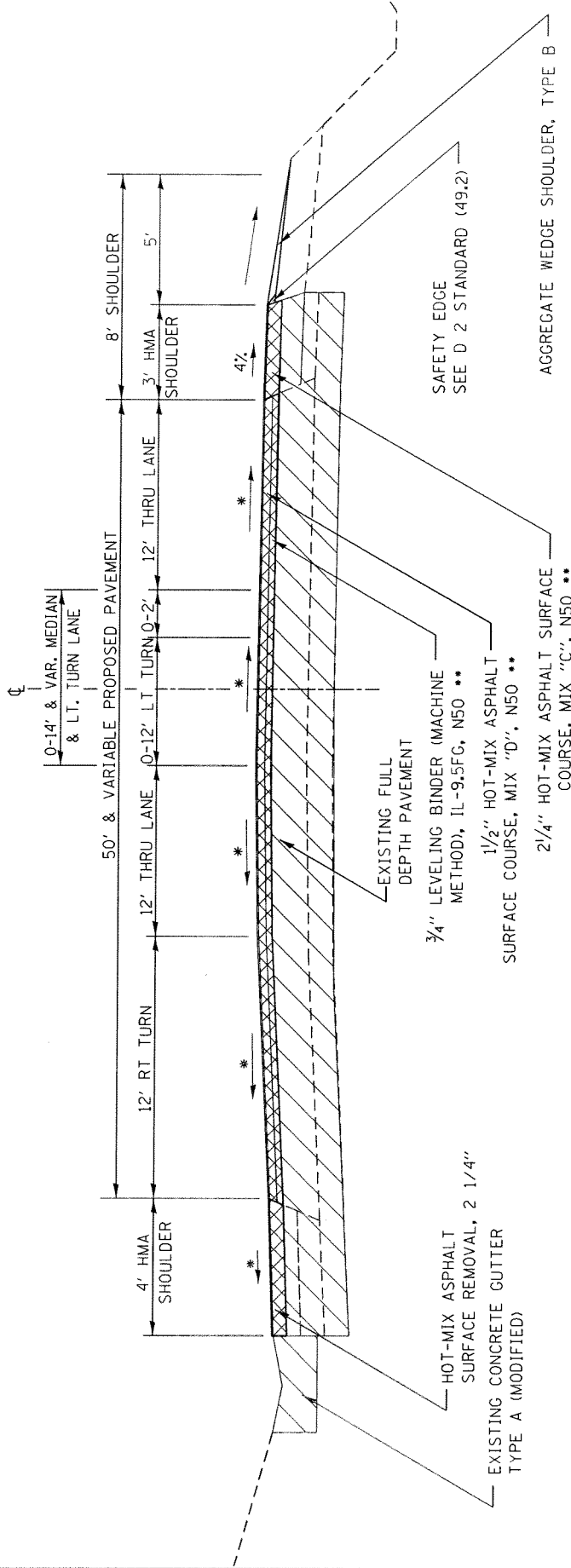


FILE NAME = c:\pw-nork\pwr\dvt\abuhamam\d0208313\D202410-sht-typical.dgn		STATE OF ILLINOIS DEPARTMENT OF TRANSPORTATION		TYPICAL SECTIONS		*CARROLL AND WHITESIDE	
F.A.P. RTE.	COUNTY					SECTION	TOTAL SHEET SHEETS
646		7.8.9RS-2	85	12	CONTRACT NO. 64E85		
(IL 40)		FED. ROAD DIST. NO. - ILLINOIS		FED. AID PROJECT			

USER NAME = ABUHAMAM
PLOT DATE = Fri May 09 09:24:27 2014

TYPICAL SECTIONS

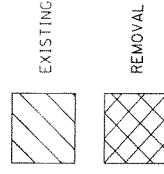
STA 865+65 - 879+15
TURN LANES ONTO SCIENCE RIDGE ROAD
IL RIE 40



NOTES:

* MATCH CROSS SLOPE OF MILLED SURFACE (MIN. 1/8"/FT CROSS SLOPE) 3/16"/FT DESIRED

** RATE OF APPLICATION = 112 LB/SQ YD/IN

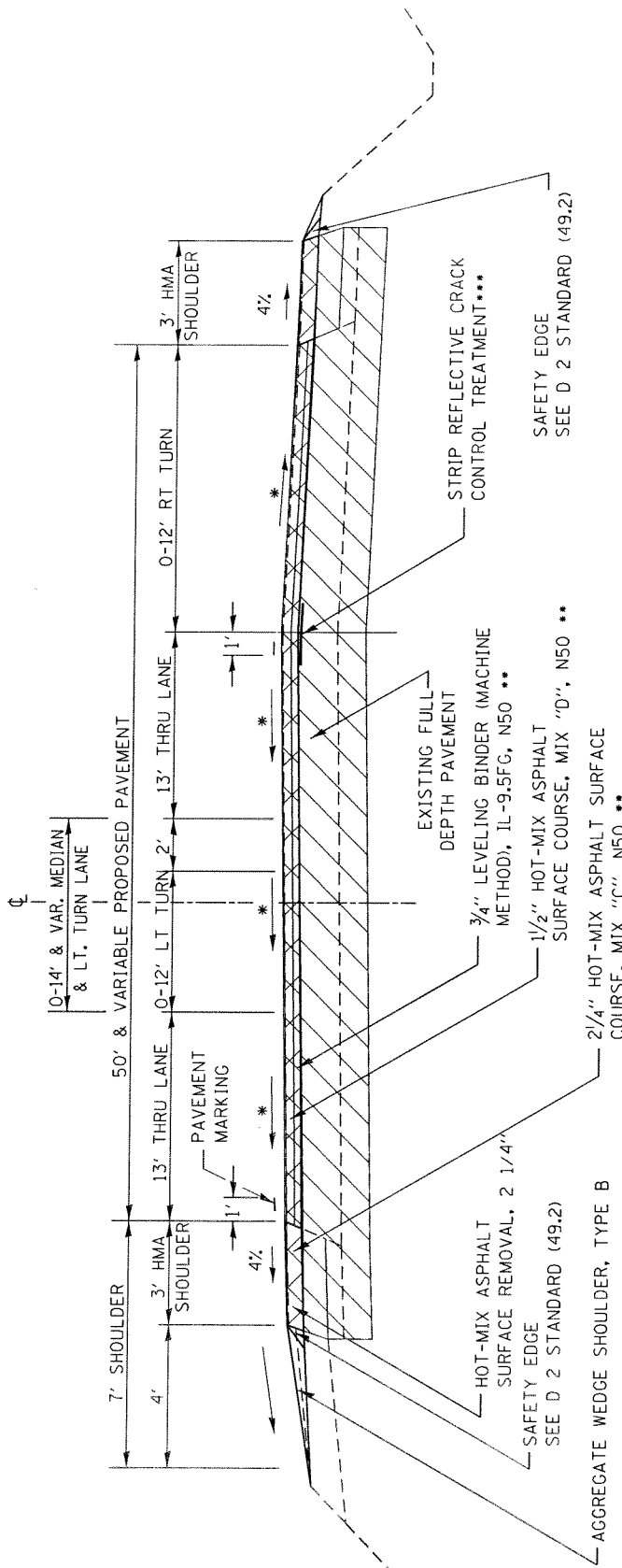


FILE NAME = c:\p_wor_k\p_w\dot\buhannaw\0308313\0202410-sht-typicol.dgn		*CARROLL AND WHITESIDE	
USER NAME = ABUHANNAW	SECTION	COUNTY	TOTAL SHEET NO.
PLOT DATE = Tue Jan 28 13:17:48 2014	17.8-9RS-2	*	85 13
	F.A.P. RTE. 646 (IL 40)		CONTRACT NO. 64F85
	ILLINOIS FED. AID PROJECT		
STATE OF ILLINOIS	TYPICAL SECTIONS		
DEPARTMENT OF TRANSPORTATION			

TYPICAL SECTIONS

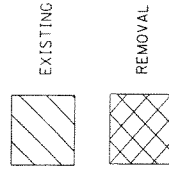
STA 1174+50 - STA 1179+00 (VAR 26' - 50') - OVERLAY
 STA 1179+90 - STA 1182+05 - MILLING
 STA 1182+95 - STA 1189+39 (VAR 40' - 26') - OVERLAY
 TURN LANES ONTO PILGRIM ROAD EAST

IL RTE 40



NOTES:

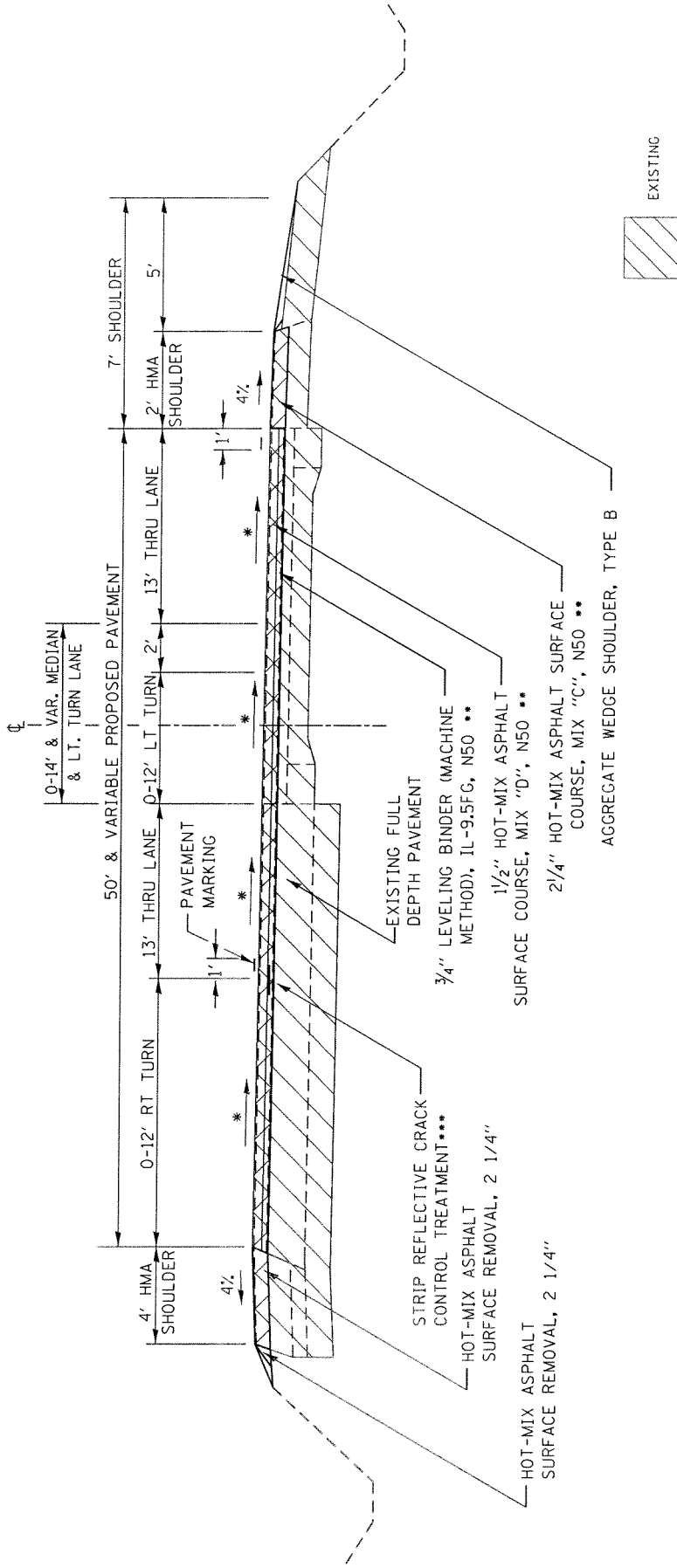
- * MATCH CROSS SLOPE OF EXISTING SURFACE (MIN. 1/8"/FT CROSS SLOPE) 3/16"/FT DESIRED
- ** RATE OF APPLICATION = 112 LB/SQ YD/IN
- *** SEE SCHEDULE FOR LOCATIONS



FILE NAME = c:\pct-work\pwr\dot\abuhammad\08308313\08202410-shr-typical.dgn		*CARROLL AND WHITESIDE	
USER NAME = ABUHANNAW		COUNTY	TOTAL SHEET NO.
PLOT DATE = Tue Jan 28 13:17:52 2014		SECTION (7,8,9)RS-2	85 14
STATE OF ILLINOIS DEPARTMENT OF TRANSPORTATION		F.A.P. RTE. (IL 40)	CONTRACT NO. 64F85
TYPICAL SECTIONS		FED. ROAD DIST. NO. ILLINOIS	FED. AID PROJECT

TYPICAL SECTIONS

STA 1275+90 - 1288+00
TURN LANES ONTO PILGRIM ROAD WEST
IL RTE 40



NOTES:

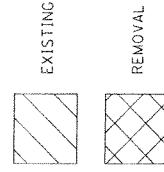
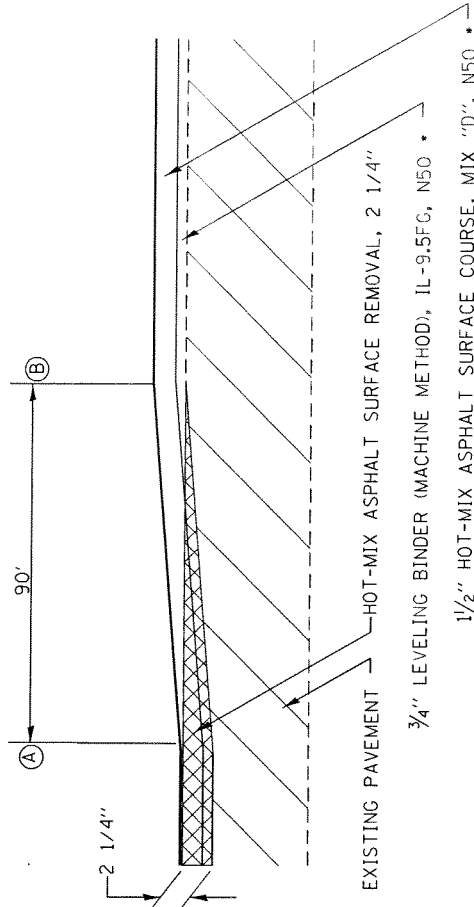
- * MATCH CROSS SLOPE OF EXISTING SURFACE (MIN. 1/8"/FT CROSS SLOPE) 3/16"/FT DESIRED
- ** RATE OF APPLICATION = 112 LB/SQ YD/IN
- *** SEE SCHEDULE FOR LOCATIONS

FILE NAME = c:\p...wor-k\pwr\dott\abuhanna\60308313\0202410-sh-t-typ.cel.dgn		STATE OF ILLINOIS DEPARTMENT OF TRANSPORTATION		TYPICAL SECTIONS		*CARROLL AND WHITESIDE	
USER NAME = ABUHANNAW	PLOT DATE = Tue Jan 28 13:17:53 2014					F.A.P. RTE. 646 (IL 40)	SECTION (7.8.9RS-2)
						CONTRACT NO. 64F85	
						FED. ROAD DIST. NO. ILLINOIS FED. AID PROJECT	

TYPICAL SECTIONS

IL ROUTE 40 TRANSITION DETAIL

STA. A	STA. B
852+96	852+06
879+15	880+05
979+70	980+60
985+10	986+00
1002+60	1003+50
1087+40	1086+50
1101+00	1101+90
1128+00	1127+10
1179+90	1179+00
1182+05	1182+95
1251+00	1250+10
1275+00	1275+90
1288+00	1288+90
1329+00	1328+10
1365+70	1366+60
16+50	15+60
22+00	22+90



NOTE: STA 1329+00 - 1328+10 REPLACE THE 1/2" HOT-MIX ASPHALT SURFACE COURSE, MIX "D", N50 WITH 1/2" HOT-MIX ASPHALT SURFACE COURSE, MIX "F", N50

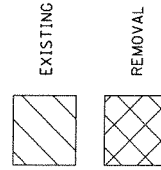
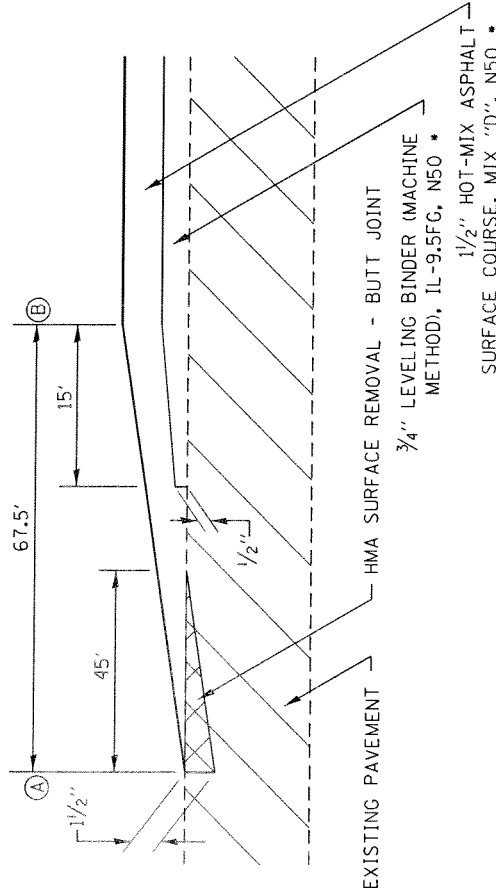
NOTE: RATE OF APPLICATION = 112 LB/50 YD/IN

F.A.P. RTE.	SECTION	COUNTY	TOTAL SHEET SHEETS NO.
646	7.8.9185-2		85
(IL 40)			16
FED. ROAD DIST. NO. - ILLINOIS FED. AID PROJECT			CONTRACT NO. 64E85

TYPICAL SECTIONS

IL ROUTE 40 BUTT-JOINT DETAIL

STA. A	STA. B
834+37.50	835+05
936+15	935+47.5
1166+45	1167+12.5
98+71.5	98+04



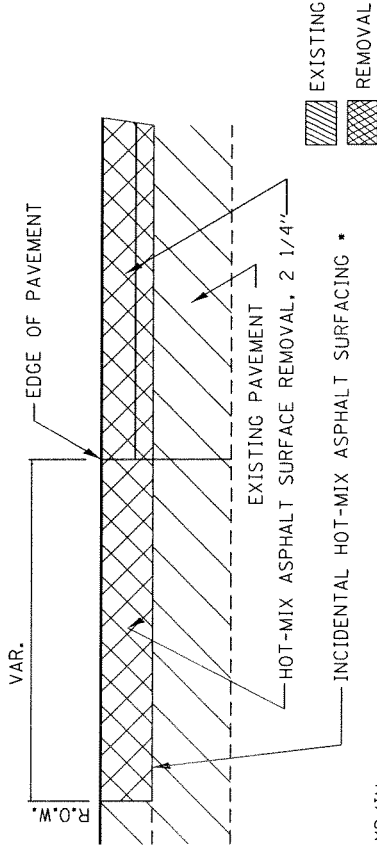
NOTE: RATE OF APPLICATION = 112 LB/50 YD/IN

STATE OF ILLINOIS DEPARTMENT OF TRANSPORTATION	FILE NAME = c:\p\work\pwr\dot\abu\hanna\d0306313\202410-sh-t-typical.dgn
	USER NAME = ABUHANNAW
	PLOT DATE = Fri May 09 09:24:48 2014

TYPICAL SECTIONS

SIDERoads - MILLED ASPHALT SECTIONS

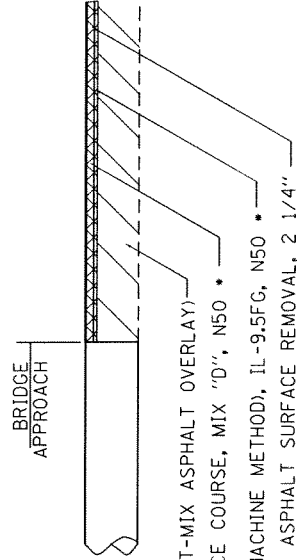
SCIENCE RIDGE ROAD
 FLUFS ROAD
 PENROSE ROAD
 PILGRIM ROAD
 GENESEE ROAD



NOTE:
 • RATE OF APPLICATION = 112 LB/SO YD/IN

IL ROUTE 40 - BRIDGE APPROACH LOCATION

STA 1165+18



EXISTING PAVEMENT (7.3" PCC - 8.7" HOT-MIX ASPHALT OVERLAY)
 1/2" HOT-MIX ASPHALT SURFACE COURSE, MIX "D", N50
 3/4" LEVELING BINDER (MACHINE METHOD), IL-9.5FG, N50
 HOT-MIX ASPHALT SURFACE REMOVAL, 2 1/4"

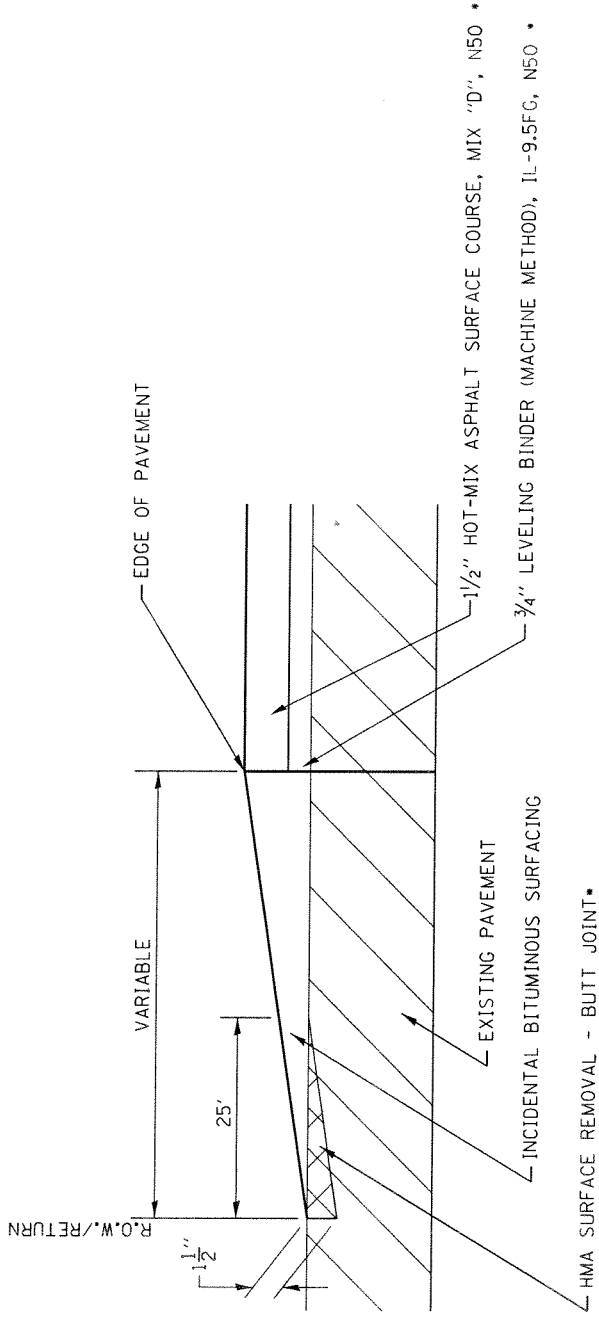
NOTE:
 • RATE OF APPLICATION = 112 LB/SO YD/IN

FILE NAME = c:\p\...work\p\...dot\abuhammad\dl8308313\0202410-sht-typical.dgn		STATE OF ILLINOIS		TYPICAL SECTIONS		*CARROLL AND WHITESIDE	
USER NAME = ABUHANNAW		DEPARTMENT OF TRANSPORTATION		SECTION		COUNTY	
PLOT DATE = Tue Jan 28 13:17:56 2014				646		•	
				(IL 40)		TOTAL SHEETS	
				FED. ROAD DIST. NO.		85	
				ILLINOIS		17	
				CONTRACT NO. 64F85			
				FED. AID PROJECT			

TYPICAL SECTIONS

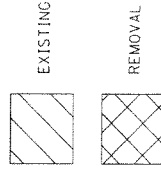
SIDEROADS - OVERLAYED ASPHALT SECTIONS

WAHL ROAD / 29TH STREET
 QUINN ROAD
 ADA STREET
 CAPP ROAD
 AVERS ROAD
 RIDGE ROAD
 CLARK ROAD



NOTE:

- RATE OF APPLICATION = 112 LB/SQ YD/1IN



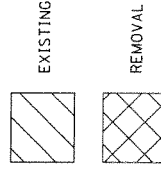
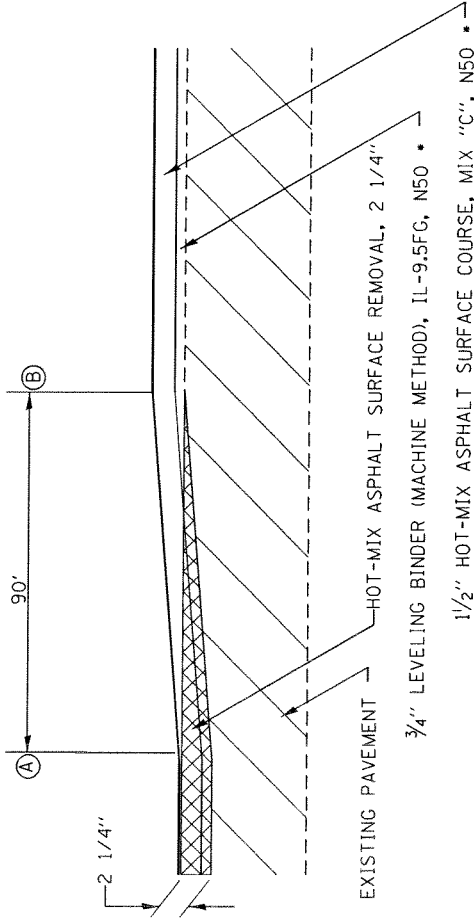
FILE NAME = c:\p-w-work\pwr\dot\ebuhanna\0308313\202410-sht-typcal.dgn		TYPICAL SECTIONS		*CARROLL AND WHITESIDE	
USER NAME = ABUHANNAW				F.A.P. RTE.	SECTION
PLOT DATE = Tue Jan 28 13:17:57 2014		646 (IL 40)	(7.8.9)RS-2	*	85 18
		FED. ROAD DIST. NO.		CONTRACT NO. 64F85	
		ILLINOIS		FED. AID PROJECT	
STATE OF ILLINOIS DEPARTMENT OF TRANSPORTATION					

TYPICAL SECTIONS

PILGRIM ROAD WEST TRANSITION DETAIL

STA. A STA. B

306+23	307+13
391+23	392+13
398+61	397+71

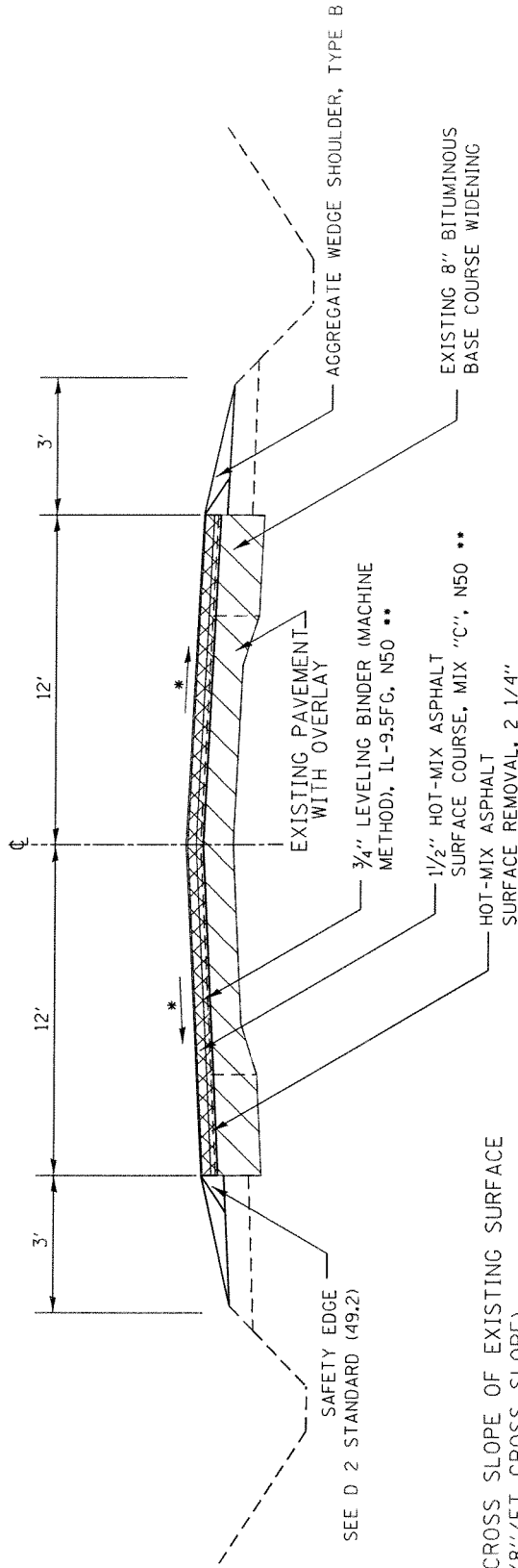


FILE NAME = c:\p\work\pwwid\ebuhanna\08308313\202410-sht-typicol.dgn		STATE OF ILLINOIS DEPARTMENT OF TRANSPORTATION		TYPICAL SECTIONS		•CARROLL AND WHITESIDE COUNTY	
USER NAME = ABUHANNAW		DEPARTMENT OF TRANSPORTATION		SECTION		TOTAL SHEET SHEETS NO.	
PLOT DATE = Tue Jan 28 13:19:43 2014		DEPARTMENT OF TRANSPORTATION		7.8.9RS-2		85 19	
		DEPARTMENT OF TRANSPORTATION		F.A.P. RTE.		CONTRACT NO. 64F85	
		DEPARTMENT OF TRANSPORTATION		646		ILLINOIS FED. AID PROJECT	
		DEPARTMENT OF TRANSPORTATION		FED. ROAD DIST. NO.			

TYPICAL SECTIONS

PILGRIM RD.

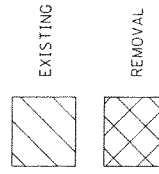
STA. 392+13 TO STA. 397+71



SEE D 2 STANDARD (49.2)

NOTES:

- * MATCH CROSS SLOPE OF EXISTING SURFACE (MIN. 1/8"/FT CROSS SLOPE) 3/16"/FT DESIRED
- ** RATE OF APPLICATION = 112 LB/SQ YD/IN

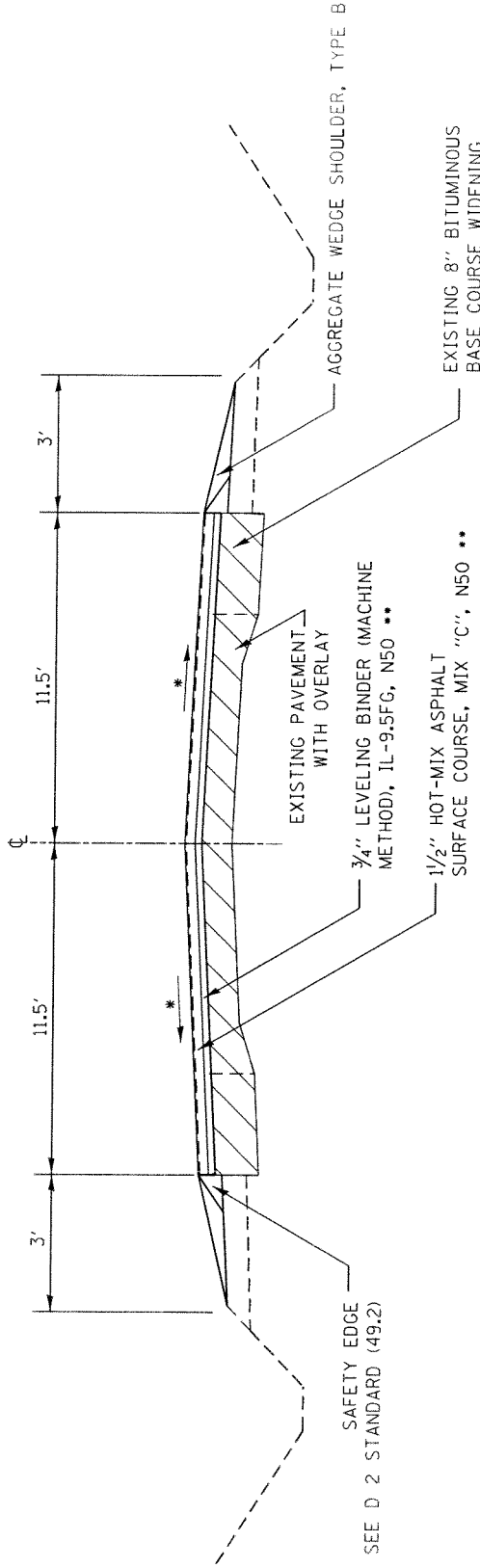


FILE NAME = c:\pwwork\pwwork\abuhanna\ab308313\0202410-sht-typical.dgn		STATE OF ILLINOIS		*CARROLL AND WHITESIDE	
USER NAME = ABUHANNAN		DEPARTMENT OF TRANSPORTATION		COUNTY	
PLOT DATE = Tue Jan 28 13:19:44 2014				SECTION	
				(7.8.9)RS-2	
				F.A.P. RTE. 646	
				TOTAL SHEETS 85	
				SHEET NO. 20	
				CONTRACT NO. 64F85	
				FED. ROAD DIST. NO. ILLINOIS	
				FED. AID PROJECT	

TYPICAL SECTIONS

PILGRIM RD.

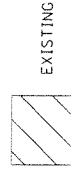
STA. 307+13 TO STA. 391+23



NOTES:

* MATCH CROSS SLOPE OF EXISTING SURFACE (MIN. 1/8"/FT CROSS SLOPE) 3/16"/FT DESIRED

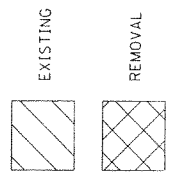
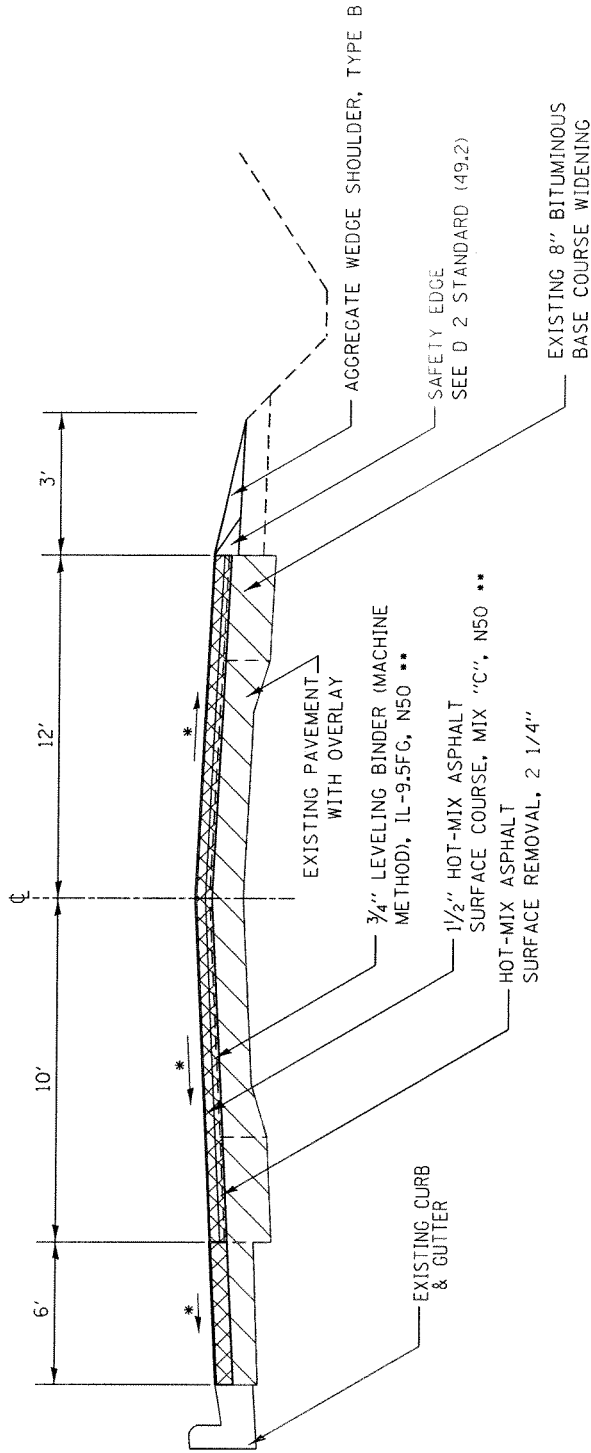
** RATE OF APPLICATION = 112 LB/SQ YD/IN



FILE NAME = c:\pwworkspace\abuhammad\030313\0202410-sht-typical.dgn		STATE OF ILLINOIS		*CARROLL AND WHITE SIDE	
USER NAME = ABUHANAW		DEPARTMENT OF TRANSPORTATION		COUNTY	
PLOT DATE = Tue Jan 28 13:19:45 2014		TYPICAL SECTIONS		SECTION	
				(7,8,9)RS-2	
				F.A.P. RTE. 646	
				TOTAL SHEET SHEETS NO. 85 22	
				CONTRACT NO. 64F85	
				FED. ROAD DIST. NO. ILLINOIS FED. AID PROJECT	

TYPICAL SECTIONS

PILGRIM RD.
STA. 302+88 TO STA. 306+23



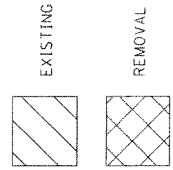
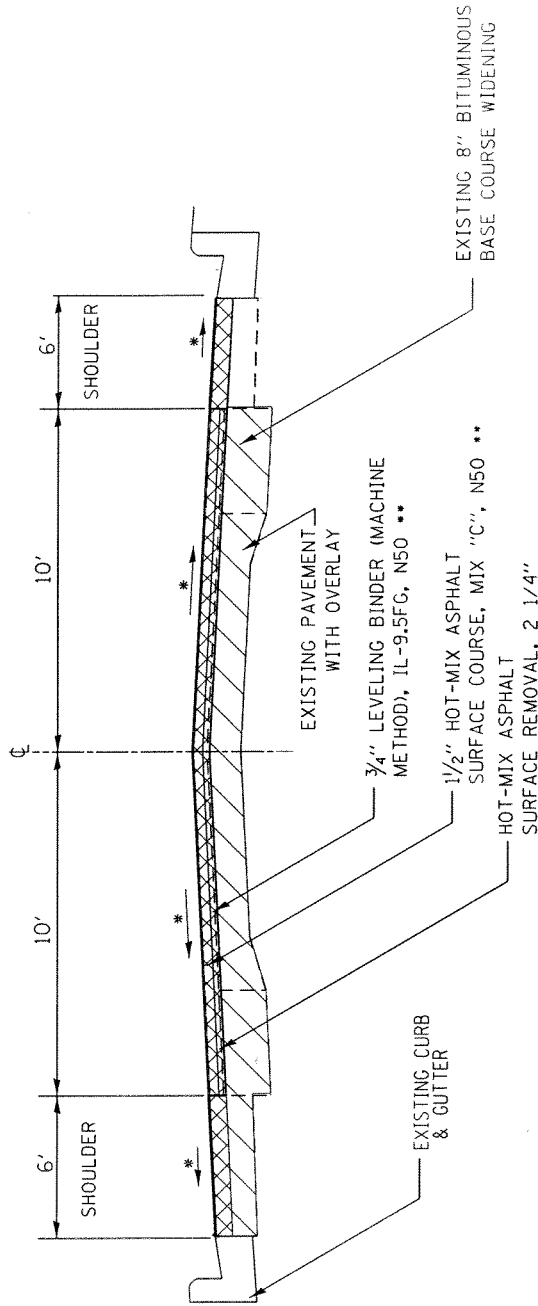
NOTES:

- * MATCH CROSS SLOPE OF MILLED SURFACE (MIN. 1/8"/FT CROSS SLOPE) 3/6"/FT DESIRED
- ** RATE OF APPLICATION = 112 LB/SQ YD/IN

FILE NAME = c:\p\work\pwrdbt\abuhammad\0306313\202410-shr-typical.dgn		STATE OF ILLINOIS DEPARTMENT OF TRANSPORTATION		TYPICAL SECTIONS		*CARROLL AND WHITESIDE	
USER NAME = ABUHANAW	PLOT DATE = Tue Jan 28 13:19:47 2014					F.A.P. RTE. 646	SECTION (7.8.9)RS-2
				FED. ROAD DIST. NO.	ILLINOIS	FED. AID PROJECT	

TYPICAL SECTIONS

PILGRIM RD.
STA. 297+23 TO STA. 302+88



NOTES:

- * MATCH CROSS SLOPE OF MILLED SURFACE (MIN. 1/8"/FT CROSS SLOPE) 3/16"/FT DESIRED
- ** RATE OF APPLICATION = 112 LB/SQ YD/IN

FILE NAME = c:\pwork\pwork\abuhanna\0308313\0202410-sh-typical.dgn		STATE OF ILLINOIS		TYPICAL SECTIONS		*CARROLL AND WHITESIDE	
USER NAME = ABUHANNAW		DEPARTMENT OF TRANSPORTATION		SECTION		COUNTY	
PLOT DATE = Tue Jan 28 13:19:48 2014				F.A.P. RTE. 646		TOTAL SHEETS 85	
				7.8-9RS-2		SHEET NO. 24	
				ILLINOIS		CONTRACT NO. 64F85	
				FED. ROAD DIST. NO.		FED. AID PROJECT	

HMA Schedule - IL 40 Mainline

FAP 646 (IL 40)
SECTION 17, 8, 9/RS-2
CARROLL AND WHITESIDE COUNTIES
CONTRACT # 64F85
SHEET 25 OF 85

LOCATION STATION TO STATION	REMARKS	HOT-MIX ASPHALT PAVEMENT				BITUMINOUS MATERIALS (PRIME COAT) - 2 APPLICATIONS	LEVELING BINDER (MACHINE METHOD), NS0	TEMP RAMP	HMA SURF CSE MIX "D" NS0	HMA SURF CSE MIX "F" NS0	HMA SURFACE REMOVAL - BUTT JOINT	HMA SURFACE REMOVAL - 2 1/4"	SHORT TERM PAVEMENT MARKING	WORK ZONE PAVEMENT MARKING REMOVAL
		LENGTH	WIDTH	AREA	TON									
WHITESIDE COUNTY (URBAN)														
834+37.5 - 835+05	Butt Joint	67.5	26	195.0	14.63	1.82	14.4	16.38	---	---	---	20.25	2.25	
835+05 - 852+06.0	2 1/4" OL	1,701	26	4,914.0	366.55	275.18	---	412.78	---	---	---	510.3	56.70	
852+06.0 - 852+96.0	Transition Detail	80.0	26	260.0	19.50	14.56	---	21.84	---	---	260	27	3.00	
852+96.0 - 859+65	2 1/4" Milling	669	26	1,932.7	144.95	108.23	---	162.34	---	---	1,932.7	267.6	22.30	
WHITESIDE COUNTY TOTALS (URBAN)		2,528		7,302	547.63	396.79	14.4	613.34	---	130	2,192.7	855.2	84.3	
WHITESIDE COUNTY (RURAL)														
859+65 - 865+65	2 1/4" Milling	600	26	1,733.3	130.00	97.07	---	145.60	---	---	1,733.3	240	20.00	
865+65 - 879+15	2 1/4" Milling (SRR)	1,350	VAR	7,619.5	571.46	426.69	---	640.04	---	---	7,619.5	540	45.00	
879+15 - 880+05	Transition Detail	90.0	26	260.0	19.50	14.56	---	21.84	---	---	260	27	3.00	
880+05 - 935+47.5	2 1/4" OL	5,543	26	16,011.8	1,200.88	896.66	---	1,344.99	---	---	---	1,662.759	184.75	
935+47.5 - 936+15	Butt Joint	67.5	26	194.9	14.62	1.82	14.4	16.37	---	130	---	20.241	2.25	
936+15 - 950+48	ELKHORN CR (OMISSION)	1,433	---	---	---	---	---	---	---	---	---	---	---	
950+48 - 979+70	2 1/4" Milling	2,922	26	8,441.3	633.10	472.71	14.4	709.07	---	---	8,441.3	1,168.8	97.40	
979+70 - 980+60	Transition Detail	90.0	26	260.0	19.50	14.56	---	21.84	---	---	260	27	3.00	
980+60 - 985+10	2 1/4" OL	450	26	1,300.0	97.50	72.80	---	109.20	---	---	---	135	15.00	
985+10 - 986+00	Transition Detail	90.0	26	260.0	19.50	14.56	---	21.84	---	---	260	27	3.00	
986+00 - 1002+60	2 1/4" Milling	1,660	26	4,956.6	359.67	268.55	14.4	402.83	---	---	4,795.6	664	55.33	
1002+60 - 1003+50	Transition Detail	90.0	26	260.0	19.50	14.56	---	21.84	---	---	260	27	3.00	
1003+50 - 1066+50	2 1/4" OL	8,300	26	23,977.8	1,796.33	1,342.76	---	2,014.13	---	---	---	2,490	276.67	
1066+50 - 1087+40	Transition Detail	90.0	26	260.0	19.50	14.56	---	21.84	---	---	260	27	3.00	
1087+40 - 1101+00	2 1/4" Milling	1,360	26	3,928.9	294.67	220.02	---	330.03	---	---	3,928.9	544	45.33	
1101+00.0 - 1101+90	Transition Detail	90.0	26	260.0	19.50	14.56	---	21.84	---	---	260.0	27	3.00	
1101+90.0 - 1127+10	2 1/4" OL	2,520	26	7,280.0	546.00	407.68	---	611.52	---	---	---	756	84.00	
1127+10.0 - 1128+00	Transition Detail	90.0	26	260.0	19.50	14.56	---	21.84	---	---	260	27	3.00	
1128+00.0 - 1165+18	2 1/4" Milling	3,718	26	10,740.9	805.57	601.49	14.4	902.23	---	---	10,740.9	1,487.2	123.93	
1165+18 - 1166+45	BRIDGE OMISSION	127	---	---	---	---	---	---	---	---	---	---	---	
1166+45 - 1167+12.5	Butt Joint	67.5	26	195.0	14.63	1.82	14.4	16.38	---	195	---	20.25	2.25	
1167+12.5 - 1174+50	2 1/4" OL	738	26	2,130.6	159.79	119.31	---	178.97	---	---	---	221.25	24.58	

HMA Schedule - IL 40 Mainline

FAP 646 (IL 40)
SECTION 17 & 9)RS-2
CARROLL AND WHITESIDE COUNTIES
CONTRACT # 64F85
SHEET 26 OF 85

LOCATION	REMARKS	HOT-MIX ASPHALT			BITUMINOUS MATERIALS (PRIME COAT) - 2 APPLICATIONS	LEVELING BINDER (MACHINE METHOD), N50	TEMP RAMP	HMA SURF CSE MIX "D" N50	HMA SURF CSE MIX "F" N50	HMA SURFACE REMOVAL - BUTT JOINT	HMA SURFACE REMOVAL - 2 1/4"	SHORT TERM PAVEMENT MARKING	WORK ZONE PAVEMENT MARKING REMOVAL
		PAVEMENT LENGTH	WIDTH	AREA									
1174+50 - 1179+00	2 1/4" OL	450	50	2,770.0	207.75	155.12	---	232.66	---	---	---	135	15.00
1179+00 - 1179+90	Transition Detail	90	50	500.0	37.50	28.00	---	42.00	---	---	500	27	3.00
1179+90 - 1182+05	2 1/4" Milling	215	40	955.6	71.67	53.51	---	80.27	---	---	955.6	86	7.17
1182+05 - 1182+95	Transition Detail	90	40	400.0	30.00	22.40	---	33.60	---	---	400	27	3.00
1182+95 - 1189+39	2 1/4" OL	644	VAR	1,894.65	184.65	137.87	---	206.81	---	---	---	193.2	21.47
1189+39 - 1250+10	2 1/4" OL	6,071	26	17,538.4	1,315.38	982.15	---	1,473.23	---	---	---	1821.3	202.37
1250+10 - 1275+00.0	Transition Detail	90.0	26	260.0	19.50	14.56	---	21.84	---	---	260	27	3.00
1275+00.0 - 1275+00.0	2 1/4" Milling	2,400.0	26	6,933.3	520.00	388.27	---	582.40	---	---	6,933.3	960	80.00
1275+00.0 - 1288+00	2 1/4" Milling (PRV)	1,300	VAR	5,493.0	411.98	307.61	---	461.41	---	---	5,493.0	520	43.33
1288+00 - 1288+90	Transition Detail	90	26	260.0	19.50	14.56	---	21.84	---	---	260	27	3.00
1288+90 - 1288+00.0	2 1/4" OL	710	26	2,051.1	153.83	114.86	---	172.29	---	---	---	213	23.67
1296+00 - 1328+10.0	2 1/4" OL	3,210	26	9,273.3	695.50	519.31	---	---	---	---	---	963	107.00
1328+10.0 - 1329+00	Transition Detail	90.0	26	260.0	19.50	14.56	---	23.965	---	---	260	27	3.00
1329+00 - 1330+00	2 1/4" Milling	100	26	288.9	21.67	16.18	---	---	---	---	288.9	40	3.33
1330+00 - 1365+70	2 1/4" Milling	3,570	26	10,313.3	773.50	577.55	---	866.32	---	---	10,313.3	1428	119.00
1365+70.0 - 1366+60	Transition Detail	90.0	26	260.0	19.50	14.56	---	21.84	---	---	260	27	3.00
1366+60 - 1388+09.5	2 1/4" OL	2,150	26	6,209.7	465.73	347.74	---	521.61	---	---	---	644.85	71.65
WHITESIDE COUNTY TOTALS (RURAL)		52,245		154,665	88.47	8740.10	72.22	12312.38	906.10	325.00	65003.61	17304.85	1709.48

CARROLL COUNTY (RURAL)													
STATION TO STATION	REMARKS	PAVEMENT LENGTH	WIDTH	AREA	BITUMINOUS MATERIALS (PRIME COAT) - 2 APPLICATIONS	LEVELING BINDER (MACHINE METHOD), N50	TEMP RAMP	HMA SURF CSE MIX "D" N50	HMA SURF CSE MIX "F" N50	HMA SURFACE REMOVAL - BUTT JOINT	HMA SURFACE REMOVAL - 2 1/4"	SHORT TERM PAVEMENT MARKING	WORK ZONE PAVEMENT MARKING REMOVAL
1388+09.5 - 0+00	STA Equation	---	---	---	---	---	---	---	---	---	---	---	---
0+00 - 8+00	2 1/4" OL	800	26	2,311.1	173.33	129.42	---	194.13	---	---	---	240	26.67
8+00 - 12+57	2 1/4" OL	457	26	1,320.2	99.02	73.93	---	110.90	---	---	---	137.1	26.67
12+57 - 15+60	2 1/4" OL	303	26	875.3	65.65	49.02	---	73.53	---	---	---	90.9	26.67
15+60.0 - 16+50.0	Transition Detail	90.0	26	260.0	19.50	14.56	---	21.84	---	---	260.0	27.00	26.67
16+50.0 - 22+90.0	2 1/4" Milling	550	26	1,588.9	119.17	2.12	14.44	133.47	---	---	1,588.9	220	26.67
22+90.0 - 98+04	Transition Detail	90	26	260.0	19.50	14.56	---	21.84	---	---	260.0	27	26.67
98+04 - 98+71.5	2 1/4" OL	7514	26	21,707.1	1628.03	2.12	14.44	1823.40	---	---	---	2254.2	26.67
98+71.5 - But Joint	Butt Joint	67.5	26	196.0	14.63	1.82	14.44	16.38	---	130.00	---	20.25	26.67
CARROLL COUNTY TOTALS (RURAL)		2,200.0		6,356	476.67	269.06	43.3	533.87	0	130	1,849	3,016	213
GRAND TOTALS IL ROUTE 40 MAINLINE		56,972		166,322	1112.76	9,409	130.0	13,460	906	585	69,045	21,146	2,007

HMA MainLine Schedule - Pilgrim Rd

FAP 646 (IL 40)
SECTION (7, 8, 9)RS-2
CARROLL AND WHITESIDE COUNTIES
CONTRACT # 64F85
SHEET 27 OF 85

LOCATION	REMARKS	HOT-MIX ASPHALT				X4060110 BITUMINOUS MATERIALS (PRIME COAT) - 2 APPLICATIONS	40600625 LEVELING BINDER (MACHINE METHOD), N50	40603335 HMA SURF CSE MIX "D" N50	44000158 HMA SURFACE REMOVAL - 2 1/4"	70300100 SHORT TERM PAVEMENT MARKING	70301000 WORK ZONE PAVEMENT MARKING REMOVAL
		PAVEMENT		SQ YD	TON						
		LENGTH	WIDTH								
STATION TO STATION		FT	FT	SQ YD	POUND	TON	TON	SQ YD	FOOT	SQ FOOT	
WHITESIDE COUNTY (RURAL)											
297+23 - 302+88	2 1/4" Milling	565	20	1,255.6	94.17	70.31	105.47	1255.6	270	18.83	
302+88 - 306+23	2 1/4" Milling	335	22	818.9	61.42	45.86	68.79	818.9	127.5	11.17	
306+23 - 307+13	Transition	90	23	230.0	---	---	---	230.0	27	3.00	
307+13 - 391+23	2 1/4" OL	8,410	23	21,492.2	1611.92	1203.56	1,805.35	---	2523	280.33	
391+23 - 397+71	2 1/4" OL	648	24	1,728.0	129.60	1.68	145.15	---	194.4	21.60	
397+71 - 398+61	Transition	90.0	24	240.0	18.00	1.68	20.16	240	27	3.00	
WHITESIDE COUNTY TOTALS (RURAL)					1915.10	1323.09	2144.91	2544.44	3168.90	337.93	

Shoulder Schedule - IL 40 NB

FAP 646 (IL 40)
SECTION (7, 8, 9)RS-2
CARROLL AND WHITESIDE COUNTIES
CONTRACT # 64F85
SHEET 28 OF 85

LOCATION RT STATION TO RT STATION	REMARKS	LENGTH		HMA SHOULDER		WEDGE AGGREGATE SHOULDER		BITUMINOUS MATERIALS (PRIME COAT) - 2 APPLICATIONS	HMA SURF CSE MIX "C" N60 (SHLDRS)	HMA SURFACE REMOVAL - BUTT JOINT	HMA SURFACE REMOVAL - 2 1/4" TON	AGGREGATE WEDGE SHOULDER, TYPE B	SHORT TERM PAVEMENT MARKING	WORK ZONE PAVEMENT MARKING REMOVAL
		FT	SQ YD	WIDTH	AREA	WIDTH	FT							
WHITESIDE COUNTY (URBAN)														
834+37.5 - 835+05	Butt Joint	67.5	3	22.5	3	3	1.69	3.15	15	---	---	3.8	---	---
835+05 - 845+12	2 1/4" OL	1,007	7	783.2	---	---	58.74	109.65	---	---	---	---	88.56	354.24
845+12 - 849+59	2 1/4" OL	447	7	347.7	---	---	26.08	48.67	---	---	---	---	43.76	175.04
849+59 - 850+64	WAHL RD	105	---	---	---	---	---	---	---	---	---	---	---	---
850+64 - 852+06	2 1/4" OL	142	7	110.4	---	---	8.28	15.46	---	---	---	---	19.36	77.44
852+06 - 852+96	Transition Detail	90	7	70.0	---	---	5.25	9.80	---	---	70.0	---	15.2	60.8
852+96 - 854+48	2 1/4" Milling	152	7	118.2	---	---	8.87	16.55	---	---	118.2	---	30.24	120.96
854+48 - 859+65	2 1/4" Milling	517	2	114.9	5	5	8.62	16.08	---	---	114.9	29.4	---	---
WHITESIDE COUNTY TOTALS (URBAN)		2,528		1,566.9			117.52	219.37	15	---	303.1	49.9	197.1	788.5

Total + 2% Contingency for Safety Edge

223.76

WHITESIDE COUNTY (RURAL)														
859+65 - 865+65	2 1/4" Milling	600	2	133.3	5	5	10.00	18.67	---	---	133.3	34.1	---	---
865+65 - 871+69	2 1/4" Milling (SRR)	604	3	201.3	4	4	15.10	28.19	---	---	201.3	34.4	---	---
871+69 - 875+71	2 1/4" Milling (SRR)	402	3	134.0	---	---	10.05	18.76	---	---	134.0	---	---	---
875+71 - 877+46	SRR Omission	175	---	---	---	---	---	---	---	---	---	---	---	---
877+46 - 879+15	2 1/4" Milling (SRR)	169	3	56.3	4	4	4.23	7.89	---	---	56.3	9.6	---	---
879+15 - 880+05	Transition Detail	90	3	30.0	4	4	2.25	4.20	---	---	30.0	---	---	---
880+05 - 880+20	2 1/4" OL	15	3	5.0	4	4	0.38	0.70	---	---	---	---	---	---
880+20 - 935+47.5	2 1/4" OL	5,527.5	2	1,228.3	5	5	92.13	171.97	---	---	---	0.9	---	---
935+47.5 - 936+15	Butt Joint	67.5	2	15.0	5	5	1.13	2.10	10	---	---	314.5	---	---
936+15 - 950+48	ELKHORN CR (OMISSION)	1,433	---	---	---	---	---	---	---	---	---	---	---	---
950+48 - 970+00	2 1/4" Milling	1,952.0	2	433.8	5	5	32.53	60.73	---	---	433.8	111.1	---	---
970+00 - 971+40	FULFES RD (OMISSION)	140	---	---	---	---	---	---	---	---	---	---	---	---
971+40 - 977+20	2 1/4" Milling	580	5	322.2	---	---	24.17	45.11	---	---	322.2	---	81.6	326.4
977+20 - 979+70	2 1/4" Milling	250	2	55.6	5	5	4.17	7.78	---	---	55.6	14.2	---	---
979+70 - 980+60	Transition Detail	90	3	30.0	5	5	2.25	4.20	---	---	30.0	---	---	---
980+60 - 985+10	2 1/4" OL	450	3	150.0	---	---	11.25	21.00	---	---	---	25.6	---	---
985+10 - 986+00	Transition Detail	90	3	30.0	---	---	2.25	4.20	---	---	30.0	---	---	---
986+00 - 988+06	2 1/4" Milling	206	7	160.2	---	---	12.02	22.43	---	---	160.2	---	36.72	146.88

Shoulder Schedule - IL 40 NB

FAP 646 (IL 40)
SECTION (7, 8, 9)RS-2
CARROLL AND WHITESIDE COUNTIES
CONTRACT # 64F85
SHEET 29 OF 85

LOCATION RT STATION TO RT STATION	REMARKS	LENGTH FT	HMA SHOULDER		WEDGE AGGREGATE SHOULDER		BITUMINOUS MATERIALS (PRIME COAT) - 2 APPLICATIONS POUND	HMA SURF CSE MIX "C" N50 (SHLDERS) TON	HMA SURFACE REMOVAL - BUTT JOINT SQ YD	HMA SURFACE REMOVAL - 2 1/4" SQ YD	AGGREGATE WEDGE SHOULDER, TYPE B TON	SHORT TERM PAVEMENT MARKING FOOT	WORK ZONE PAVEMENT MARKING REMOVAL SQ FOOT
			WIDTH FT	AREA SQ YD	WIDTH FT	WIDTH FT							
988+06 - 1000+30	2 1/4" Milling	1,224	2	272.0	5	20.40	38.08	---	272.0	69.6	---	---	---
1000+30 - 1002+60	2 1/4" Milling	230	7	178.9	---	13.42	25.04	---	178.9	---	---	39.6	158.4
1002+60 - 1003+50	Transition Detail	90	5	50.0	---	3.75	7.00	---	50.0	---	---	22.8	91.2
1003+50 - 1073+00	2 1/4" OL	6,950	2	1,544.4	5	115.83	216.22	---	---	395.5	---	---	---
1072+80 - 1074+31	CAPP RD	151	---	---	---	---	---	---	---	---	---	---	---
1074+31 - 1086+50	2 1/4" OL	1,219	2	270.9	5	20.32	37.92	---	---	69.4	---	---	---
1086+50 - 1087+40	Transition Detail	90	10	100.0	---	7.50	14.00	---	100.0	---	---	22.8	91.2
1087+40 - 1090+50	2 1/4" Milling	310	7	241.1	---	18.08	33.76	---	241.1	---	---	49.2	196.8
1090+50 - 1101+00	2 1/4" Milling	1,050	7	816.7	---	61.25	114.33	---	816.7	---	---	138	552
1101+00 - 1101+90	Transition Detail	90	5	50.0	---	3.75	7.00	---	50.0	---	---	22.8	91.2
1101+90 - 1127+10	2 1/4" OL	2,520	2	560.0	5	42.00	78.40	---	---	143.4	---	---	---
1127+10 - 1128+00	Transition Detail	90	5	50.0	---	3.75	7.00	---	50.0	---	---	22.8	91.2
1128+00 - 1129+70	2 1/4" Milling	170	7	132.2	---	9.92	18.51	---	132.2	---	---	32.4	129.6
1129+70 - 1131+43	PENROSE RD	173	---	---	---	---	---	---	---	---	---	---	---
1131+43 - 1139+20	2 1/4" Milling	777	2	172.7	5	12.95	24.17	---	172.7	44.2	---	---	---
1139+20 - 1142+50	2 1/4" Milling	330	7	256.7	---	19.25	35.93	---	256.7	---	---	51.6	206.4
1142+50 - 1165+18	2 1/4" Milling	2,268	2	504.0	5	37.80	70.56	---	504.0	129.0	---	---	---
1165+18 - 1166+45	BRIDGE OMISSION	127	---	---	---	---	---	---	---	---	---	---	---
1166+45 - 1167+12.5	Butt Joint	67.5	7	52.5	---	3.94	7.35	35	---	---	---	20.1	80.4
1167+12.5 - 1179+00	2 1/4" OL	1,188	4	527.8	3	39.58	73.89	---	---	67.6	---	---	---
1179+00 - 1179+90	Transition Detail	90	4	40.0	---	3.00	5.60	---	40.0	---	---	---	---
1179+90 - 1182+05	PRE	215	---	---	---	---	---	---	---	---	---	---	---
1182+05 - 1182+95	Transition Detail	90	4	40.0	---	3.00	5.60	---	40.0	---	---	---	---
1182+95 - 1192+00	2 1/4" OL	905	4	402.2	3	30.17	56.31	---	---	51.5	---	---	---
1192+00 - 1198+38	2 1/4" OL (PRW)	638	3	212.7	4	15.95	29.77	---	---	36.3	---	---	---
1198+38 - 1229+80	2 1/4" OL	3,142	2	688.2	5	52.37	97.75	---	---	178.8	---	---	---
1229+80 - 1231+38	RIDGE RD	158	---	---	---	---	---	---	---	---	---	---	---
1231+38 - 1250+10	2 1/4" OL	1,872	2	416.0	5	31.20	58.24	---	---	106.5	---	---	---
1250+10 - 1251+00	Transition Detail	90	2	20.0	5	1.50	2.80	---	20.0	---	---	---	---
1251+00 - 1270+00	2 1/4" Milling	1,900	2	422.2	5	31.67	59.11	---	422.2	108.1	---	---	---
1270+00 - 1275+00	2 1/4" Milling	500	7	388.9	---	29.17	54.44	---	388.9	---	---	72	288

Shoulder Schedule - IL 40 NB

FAP 646 (IL 40)
SECTION (7, 8, 9)RS-2
CARROLL AND WHITESIDE COUNTIES
CONTRACT # 64F85
SHEET 30 OF 85

LOCATION	RT STATION TO RT STATION	REMARKS	LENGTH	HMA SHOULDER		WEDGE AGGREGATE SHOULDER		BITUMINOUS MATERIALS (PRIME COAT) - 2 APPLICATIONS	HMA SURF CSE MIX "C" N50 (SHLDERS)	HMA SURFACE REMOVAL - BUTT JOINT	HMA SURFACE REMOVAL - 2 1/4"	AGGREGATE WEDGE SHOULDER, TYPE B	SHORT TERM PAVEMENT MARKING	WORK ZONE PAVEMENT MARKING REMOVAL
				WIDTH	AREA	WIDTH	FT							
-	1275+00	2 1/4" Milling (PRW)	246	2	54.7	5	4.10	7.65	---	---	---	14.0	---	---
-	1277+46	2 1/4" Milling (PRW)	904	3	301.3	4	22.60	42.19	---	---	301.3	51.4	---	---
-	1286+50	2 1/4" Milling (PRW)	150	2	33.3	5	2.50	4.67	---	---	33.3	8.5	---	---
-	1288+00	Transition Detail	90	2	20.0	5	1.50	2.80	---	---	20.0	---	---	---
-	1288+90	2 1/4" OL	1,168	3	389.3	4	29.20	54.51	---	---	---	66.5	---	---
-	1300+58	2 1/4" OL	804	4	357.3	3	26.80	50.03	---	---	---	45.7	---	---
-	1308+62	2 1/4" OL	1,948	3	649.3	4	48.70	90.91	---	---	---	110.8	---	---
-	1328+10	2 1/4" OL	90	2	20.0	5	1.50	2.80	---	---	20.0	---	---	---
-	1329+00	Transition Detail	1,876	2	416.9	5	31.27	58.36	---	---	416.9	106.7	---	---
-	1347+76	2 1/4" Milling	574	7	446.4	---	33.48	62.50	---	---	446.4	---	80.88	323.52
-	1353+50	2 1/4" Milling	519	3	173.0	4	12.98	24.22	---	---	173.0	29.5	---	---
-	1358+69	2 1/4" Milling	385	7	299.4	---	22.46	41.92	---	---	299.4	---	58.2	232.8
-	1362+54	2 1/4" Milling	106	---	---	---	---	---	---	---	---	---	---	---
-	1363+60	GENESEE RD	210	7	163.3	---	12.25	22.87	---	---	163.3	---	37.2	148.8
-	1365+70	2 1/4" Milling, 2 1/4" OL	90	5	50.0	5	3.75	7.00	---	---	50.0	---	---	---
-	1366+60	Transition Detail	2,150	2	477.7	5	35.83	66.87	---	---	---	122.3	---	---
-	1388+09.5	2 1/4" OL	52,865	2	15,257.3	5	1144.30	2,136.02	45	7,245.9	3,755.57	788.70	---	3,154.80
WHITESIDE COUNTY TOTALS (RURAL)														
Total + 2% Contingency for Safety Edge 2178.74														
CARROLL COUNTY (RURAL)														
1388+09.5	=	0+00	STA Equation	---	---	---	---	---	---	---	---	---	---	---
0+96	-	8+00	2 1/4" OL	704	2	156.4	11.73	19.71	---	---	---	40.1	---	---
8+00	-	12+57	2 1/4" OL	457	7	355.4	26.66	44.79	---	---	---	---	44.56	176.24
12+57	-	15+60	2 1/4" OL	303	2	67.3	5.05	8.48	---	---	---	17.2	---	---
15+60	-	16+50	Transition Detail	90	2	20.0	1.50	2.80	---	---	20.0	5.1	---	---
16+05	-	21+76	2 1/4" Milling	571	2	126.9	9.52	15.99	---	---	126.9	32.5	---	---
22+00	-	22+90	Transition Detail	90	2	20.0	1.50	2.80	---	---	20.0	5.1	---	---
21+76	-	98+04	2 1/4" OL	7,628	2	1,695.1	127.13	213.58	---	---	---	434.0	---	---
98+04	-	98+71.5	Butt Joint	67.5	2	15.0	1.13	1.89	10	---	---	3.8	---	---
CARROLL COUNTY TOTALS (RURAL)														
Total + 2% Contingency for Safety Edge 19,280														
GRAND TOTALS IL ROUTE 40 NB SHOULDERS														
Total + 2% Contingency for Safety Edge 1,446														
Total + 2% Contingency for Safety Edge 4,612														
Total + 2% Contingency for Safety Edge 1,030														
Total + 2% Contingency for Safety Edge 4,122														

Shoulder Schedule - IL 40 SB

FAP 646 (IL 40)
SECTION (7, 8, 9)RS-2
CARROLL AND WHITESIDE COUNTIES
CONTRACT # 64F85
SHEET 31 OF 85

LOCATION	REMARKS	LENGTH FT	HMA SHOULDER		WEDGE AGGREGATE SHOULDER		BITUMINOUS MATERIALS (PRIME COAT) - 2 APPLICATIONS	HMA SURF CSE MIX "C" N50 (SHLDRS)	HMA SURFACE REMOVAL - BUTT JOINT	HMA SURFACE REMOVAL - 2 1/4"	AGGREGATE WEDGE SHOULDER, TYPE B	SHORT TERM PAVEMENT MARKING	WORK ZONE PAVEMENT MARKING REMOVAL
			WIDTH FT	AREA SQ YD	WIDTH FT	TON							
WHITESIDE COUNTY (URBAN)													
834+37.5	-	835+05	3	22.5	3	1.6875	3.15	15			3.84		
835+05	-	849+59	7	1,130.9		84.8167	158.32					124.32	497.28
849+50	-	850+59	109										
850+59	-	852+06	147	7	114.3	8.5750	16.01					19.76	79.04
852+06	-	852+96	90	7	70.0	5.2500	9.80			70.0		22.80	91.20
852+96	-	859+65	669	7	520.3	39.0250	72.85			520.3		92.28	369.12
WHITESIDE COUNTY TOTALS (URBAN)													
			2,537	1,858.1		139.35	280.13	15	590.3	5.76	259.16		1036.64

Total + 2% Contingency for Safety Edge

WHITESIDE COUNTY (RURAL)													
LOCATION	REMARKS	LENGTH FT	HMA SHOULDER		WEDGE AGGREGATE SHOULDER		BITUMINOUS MATERIALS (PRIME COAT) - 2 APPLICATIONS	HMA SURF CSE MIX "C" N50 (SHLDRS)	HMA SURFACE REMOVAL - BUTT JOINT	HMA SURFACE REMOVAL - 2 1/4"	AGGREGATE WEDGE SHOULDER, TYPE B	SHORT TERM PAVEMENT MARKING	WORK ZONE PAVEMENT MARKING REMOVAL
			WIDTH FT	AREA SQ YD	WIDTH FT	TON							
859+65	-	870+15	2	233.3	5	17.5000	32.67			233.3	59.75		
870+15	-	875+37	3	174.0	4	13.0500	24.36			174.0	29.70		
875+37	-	877+47	210										
877+47	-	879+15	168	4	74.7	5.6000	10.45			74.7			
879+15	-	880+05	90	4	40.0	3.0000	5.60			40.0			
880+05	-	935+47.5	5,543	2	1,231.7	92.3750	172.43				315.37		
935+47.5	-	936+15	67.5	2	15.0	1.1250	2.10	10					
936+15	-	950+48	1,433										
950+48	-	956+10	562.0	2	124.9	9.3667	17.48			124.9	31.98		
956+10	-	957+60	150										
957+60	-	961+50	390	2	86.7	6.5000	12.13			86.7	22.19		
961+50	-	967+50	600	3	200.0	15.0000	28.00			200.0	34.14		
967+50	-	970+80	330.0	2	73.3	5.5000	10.27			73.3	18.78		
970+80	-	979+70	890	5	494.4	37.0833	69.22			494.4	118.8		475.20
979+70	-	980+60	90	3	30.0	2.2500	4.20			30.0			
980+60	-	985+10	450	3	150.0	11.2500	21.00				25.6		
985+10	-	986+00	90	3	30.0	2.2500	4.20			30.0			
986+00	-	1002+60	1660.0	2	368.9	27.6667	51.64			368.9	94.45		
1002+60	-	1003+50	90	2	20.0	1.5000	2.80			20.0			
1003+50	-	1011+72	822	3	274.0	20.5500	38.36				46.77		
1011+72	-	1014+43	271	2	60.2	4.5167	8.43				15.42		
1014+43	-	1016+00	157										
1016+00	-	1038+60	2,280	2	506.7	38.0000	70.93				129.73		

Shoulder Schedule - IL 40 SB

FAP 646 (IL 40)
SECTION (7, 8, 9)RS-2
CARROLL AND WHITESIDE COUNTIES
CONTRACT # 64F85
SHEET 32 OF 85

LOCATION		REMARKS	LENGTH		HMA SHOULDER		WEDGE AGGREGATE SHOULDER WIDTH	BITUMINOUS MATERIALS (PRIME COAT) - 2 APPLICATIONS	HMA SURF CSE MIX "C" #50 (SHLDRS)	HMA SURFACE REMOVAL - BUTT JOINT	HMA SURFACE REMOVAL - 2 1/4"	AGGREGATE WEDGE SHOULDER, TYPE B	SHORT TERM PAVEMENT MARKING	WORK ZONE PAVEMENT MARKING REMOVAL
LT STATION	TO LT STATION		FT	SQ YD	WIDTH	AREA								
1038+80	- 1046+50	2 1/4" OL	770	286.7	4	19,2500	35.93	---	---	---	---	43.81	---	---
1046+50	- 1060+10	2 1/4" OL	1,360	302.2	5	22,6667	42.31	---	---	---	---	77.38	---	---
1060+10	- 1061+60	ADA ST	150	---	---	---	---	---	---	---	---	---	---	---
1061+60	- 1073+28	2 1/4" OL	1,168	259.6	5	19,4667	36.34	---	---	---	---	66.46	---	---
1073+28	- 1074+84	CAPP RD	156	---	---	---	---	---	---	---	---	---	---	---
1074+84	- 1083+00	2 1/4" OL	816	181.3	5	13,6000	25.39	---	---	---	---	46.43	---	---
1083+00	- 1086+50	2 1/4" OL	350	116.7	4	8,7500	16.33	---	---	---	---	19.92	---	---
1086+50	- 1087+40	Transition Detail	90	30.0	4	2,2500	4.20	---	---	---	---	5.12	---	---
1087+40	- 1092+23	2 1/4" Milling	483	161.0	4	12,0750	22.54	---	---	---	---	27.48	---	---
1092+23	- 1101+00	2 1/4" Milling	877	194.9	5	14,6167	27.28	---	---	---	---	49.90	---	---
1101+00	- 1101+90	Transition Detail	90	20.0	4	1,5000	2.80	---	---	---	---	5.12	---	---
1101+90	- 1103+01	2 1/4" OL	111	24.7	5	1,8500	3.45	---	---	---	---	6.32	---	---
1103+01	- 1104+53	AVERS RD	152	---	---	---	---	---	---	---	---	---	---	---
1104+53	- 1127+10	2 1/4" OL	2,257	501.6	5	37,6167	70.22	---	---	---	---	128.42	---	---
1127+10	- 1128+00	Transition Detail	90	20.0	5	1,5000	2.80	---	---	---	---	5.12	---	---
1128+00	- 1129+59	2 1/4" Milling	159	35.3	5	2,6500	4.95	---	---	---	---	9.05	---	---
1129+59	- 1131+13	PENROSE RD	154	---	---	---	---	---	---	---	---	---	---	---
1131+13	- 1155+32	2 1/4" Milling	2,419	537.6	5	40,3167	75.26	---	---	---	---	137.64	---	---
1155+32	- 1159+00	2 1/4" Milling	368	286.2	---	21,4667	40.07	---	---	---	---	---	---	---
1159+00	- 1165+18	2 1/4" Milling	618	137.3	5	10,3000	19.23	---	---	---	---	35.16	---	---
1165+18	- 1166+45	BRIDGE OMISSION	127	---	---	---	---	---	---	---	---	---	---	---
1166+45	- 1167+12.5	Butt Joint	67.5	52.5	7	3,9375	7.35	---	---	---	---	---	---	---
1167+12.5	- 1179+00	2 1/4" OL	1,188	395.8	4	29,6875	55.42	---	---	---	---	67.57	---	---
1179+00	- 1179+90	Transition Detail	90	30.0	4	2,2500	4.20	---	---	---	---	5.12	---	---
1179+90	- 1182+05	2 1/4" Milling(PRE)	215	71.7	4	5,3750	10.03	---	---	---	---	12.23	---	---
1182+05	- 1182+95	Transition Detail	90	30.0	4	2,2500	4.20	---	---	---	---	5.12	---	---
1182+95	- 1229+36	2 1/4" OL	4,641	1,031.3	5	77,3500	144.39	---	---	---	---	264.07	---	---
1229+36	- 1231+39	RIDGE RD	203	---	---	---	---	---	---	---	---	---	---	---
1231+39	- 1250+10	2 1/4" OL	1,871	415.8	5	31,1833	58.21	---	---	---	---	106.46	---	---
1250+10	- 1251+00	Transition Detail	90	50.0	---	3,7500	7.00	---	---	---	---	---	---	---
1251+00	- 1259+28	2 1/4" Milling	828	644.0	7	48,3000	90.16	---	---	---	---	---	---	---
1259+28	- 1269+15	2 1/4" Milling	987	219.3	5	16,4500	30.71	---	---	---	---	56.16	---	---

70301000

70300100

48102100

44400158

40600982

40603310

X4060110

Shoulder Schedule - IL 40 SB

FAP 646 (IL 40)
SECTION (7, 8, 9)RS-2
CARROLL AND WHITESIDE COUNTIES
CONTRACT # 64F85
SHEET 33 OF 85

LOCATION LT STATION TO LT STATION	REMARKS	LENGTH FT	HMA SHOULDER		WEDGE AGGREGATE SHOULDER WIDTH FT	BITUMINOUS MATERIALS (PRIME COAT) - 2 APPLICATIONS POUND	HMA SURF CSE MIX "C" N50 (SHLDERS) TON	HMA SURFACE REMOVAL - BUTT JOINT SQ YD	HMA SURFACE REMOVAL - 2 1/4" SQ YD	AGGREGATE WEDGE SHOULDER, TYPE B	SHORT TERM PAVEMENT MARKING	WORK ZONE PAVEMENT MARKING REMOVAL SQ FOOT
			WIDTH FT	AREA SQ YD								
1269+15 - 1273+04	2 1/4" Milling	389	3	129.7	4	9,725.0	18.15	---	129.7	TON	FOOT	---
1273+04 - 1280+86	2 1/4" Milling (PRW)	782	3	260.7	4	19,550.0	36.49	---	260.7	---	---	---
1280+86 - 1282+54	PRW	168	---	---	---	---	---	---	---	---	---	---
1282+54 - 1285+50	2 1/4" Milling (PRW)	296	4	131.6	---	9,866.7	18.42	---	---	---	---	---
1285+50 - 1288+00	2 1/4" Milling (PRW)	250	3	83.3	4	6,250.0	11.67	---	---	---	---	---
1288+00 - 1288+90	Transition Detail	90	3	30.0	4	2,250.0	4.20	---	---	---	---	---
1288+90 - 1319+40	2 1/4" OL	3,050	2	677.8	5	50,833.3	94.89	---	---	173.55	---	---
1319+40 - 1327+42	2 1/4" OL	802	3	267.3	4	20,050.0	37.43	---	---	45.63	---	---
1327+42 - 1328+10	2 1/4" OL	68	2	15.1	5	1,133.3	2.12	---	---	3.87	---	---
1328+10 - 1329+00	Transition Detail	90	5	50.0	---	3,750.0	7.00	---	50.0	---	22.8	91.2
1329+00 - 1337+19	2 1/4" Milling	819	7	637.0	---	47,775.0	89.18	---	637.0	---	110.28	441.12
1337+19 - 1350+75	2 1/4" Milling	1,356	2	301.3	5	22,600.0	42.19	---	301.3	---	---	---
1350+75 - 1354+00	2 1/4" Milling	325	7	252.8	---	18,958.3	35.39	---	252.8	---	---	---
1354+00 - 1362+18	2 1/4" Milling	818	3	272.7	4	20,450.0	38.17	---	272.7	---	51	204
1362+18 - 1363+94	GENESEE RD	176	---	---	---	---	---	---	---	---	---	---
1363+94 - 1365+70	2 1/4" Milling	176	2	39.1	5	2,933.3	5.48	---	39.1	10.01	---	---
1365+70 - 1366+60	Transition Detail	90	2	20.0	5	1,500.0	2.80	---	20.0	5.12	---	---
1366+60 - 1387+58	2 1/4" OL	2,098	2	466.2	5	34,966.7	65.27	---	---	119.38	---	---
WHITESIDE COUNTY TOTALS (RURAL)			52,793	13,827.8	1037.08	1,935.89	45	6,380.8	3790.05	513.30	2053.20	
			Total + 2% Contingency for Safety Edge			1974.61						

CARROLL COUNTY (RURAL)												
LOCATION	REMARKS	LENGTH FT	HMA SHOULDER WIDTH FT	HMA SHOULDER AREA SQ YD	WEDGE AGGREGATE SHOULDER WIDTH FT	BITUMINOUS MATERIALS (PRIME COAT) - 2 APPLICATIONS POUND	HMA SURF CSE MIX "C" N50 (SHLDERS) TON	HMA SURFACE REMOVAL - BUTT JOINT SQ YD	HMA SURFACE REMOVAL - 2 1/4" SQ YD	AGGREGATE WEDGE SHOULDER, TYPE B	SHORT TERM PAVEMENT MARKING	WORK ZONE PAVEMENT MARKING REMOVAL SQ FOOT
1388+09.5 - 0+00	STA Equation	---	---	---	---	---	---	---	---	---	---	---
0+00 - 8+00	2 1/4" OL	710	2	157.8	5	11,833.3	19.98	---	---	40.40	---	---
8+00 - 12+57	2 1/4" OL	457	7	355.4	---	26,656.3	44.79	---	---	---	44.56	178.24
12+57 - 15+60	2 1/4" OL	800	2	177.8	5	13,333.3	22.40	---	---	45.52	---	---
15+60 - 16+50	Transition Detail	90	7	70.0	---	5,250.0	8.82	---	70.0	---	22.8	91.2
16+50 - 22+00	2 1/4" Milling	550	7	427.8	---	32,083.3	53.90	---	427.8	---	78	312
22+00 - 22+90	Transition Detail	90	7	70.0	---	5,250.0	8.82	---	70.0	---	22.8	91.2
22+90 - 98+04	2 1/4" OL	7,514	2	1,669.8	5	125,233.3	210.39	---	---	427.55	---	---
98+04 - 98+71.5	Butt Joint	67.5	2	15.0	5	1,125.0	1.89	---	---	3.84	---	---
CARROLL COUNTY TOTALS (RURAL)			10,279	2,944	220.77	370.89	10	567.8	775.96	168.16	672.64	
			Total + 2% Contingency for Safety Edge			378.31						
GRAND TOTALS IL ROUTE 40 SB SHOULDERS			65,608	18,629	1,397	2,618	70	7,539	4571.77	940.62	3762.48	

HMA Shoulder Schedule - Pilgrim Rd

FAP 646 (IL 40)
SECTION (7, 8, 9)RS-2
CARROLL AND WHITESIDE COUNTIES
CONTRACT # 64F85
SHEET 34 OF 85

LOCATION LT/RT STATION TO LT/RT STATION	REMARKS	LENGTH FT	HMA SHOULDER (LT)		WEDGE AGGREGATE SHOULDER		HMA SHOULDER (RT)		WEDGE AGGREGATE SHOULDER		BITUMINOUS MATERIALS (PRIME COAT) - 2 APPLICATIONS POUND	HMA SURF CSE MIX "C" N50 (SHLDRS) TON	HMA SURFACE REMOVAL - BUTT JOINT SQ YD	HMA SURFACE REMOVAL - 2 1/4" SQ YD
			WIDTH FT	AREA SQ YD	WIDTH FT	WIDTH FT	WIDTH FT	AREA SQ YD	WIDTH FT	AREA SQ YD				
WHITESIDE COUNTY (RURAL)														
297+23 - 302+88	Parking Lanes	565.0	6	376.7	---	---	6	376.7	---	---	56.50	105.47	---	753.3
302+88 - 307+13	Parking Lane-LT	425	6	283.3	---	---	---	---	3	---	21.25	39.67	---	283.3
307+13 - 398+61		9,148	---	---	3	---	---	---	3	---	---	---	---	---
WHITESIDE COUNTY TOTALS (RURAL)												145.13	0	1036.7

LOCATION LT/RT STATION TO LT/RT STATION	REMARKS	LENGTH FT	HMA SHOULDER		WEDGE AGGREGATE SHOULDER		HMA SHOULDER (RT)		WEDGE AGGREGATE SHOULDER		AGGREGATE WEDGE SHOULDER, TYPE B TON	SHORT TERM PAVEMENT MARKING FOOT	70301000 WORK ZONE PAVEMENT MARKING REMOVAL SQ FOOT
			WIDTH FT	AREA SQ YD	WIDTH FT	WIDTH FT	WIDTH FT	AREA SQ YD	WIDTH FT	AREA SQ YD			
WHITESIDE COUNTY (RURAL)													
297+23 - 302+88	Parking Lanes	565.0	6	376.7	---	---	6	376.7	---	---	---	53.20	212.80
302+88 - 307+13	Parking Lane-LT	425	6	283.3	---	---	---	---	3	---	13.61	42.00	168.00
307+13 - 398+61		9,148	---	---	3	---	---	---	3	---	586.04	---	---
WHITESIDE COUNTY TOTALS (RURAL)												95.20	380.80

Sideroad & Entrance Schedule

FAP 646 (IL Route 40)
 Section (7,8,9)RS-2
 Carroll and Whiteside Counties
 Contract #64F85
 Sheet 36 of 85

Location	Remarks	Width at Back R.O.W	Surface Area	X4060110	40600982	40600985	40600990	40800050	44000158	
				BITUMINOUS MATERIALS (PRIME COAT) - 2 APPLICATIONS	Hot-Mix Asphalt Surface Removal - Butt Joint	Portland Cement Concrete Surface Removal-Butt Joint	TEMPORARY RAMP	Incidental Hot-Mix Asphalt Surfacing	Hot-Mix Asphalt Surface Removal, 2 1/4"	
				POUND	Sq Yd	Sq Yd	Sq Yd	Ton	Sq Yd	
IL Route 40										
Rt Sta 1367+05	PE		12	83.5	6.27	---	---	---	12.9	---
Rt Sta 1369+53	PE		15	107.5	8.06	---	---	---	16.5	---
Lt Sta 1388+10	SR	Clark Road - South Half	14	169.8	12.73	38.9	---	7.8	26.1	---
Rt Sta 1388+10	SR	Clark Road - South Half	13	169.2	12.69	36.1	---	7.2	21.3	---
Whiteside County Totals (Rural)				1000.50	791.7	0.0	158.3	2,049.6	4,590.0	
IL Route 40										
Carroll County (Rural)										
Lt Sta 0+00	SR	Clark Road - North Half(O.L.)	14	184.5	13.83	38.9	---	7.8	28.4	---
Rt Sta 0+00	SR	Clark Road - North Half(O.L.)	13	157.2	11.79	36.1	---	7.2	24.2	---
Lt Sta 10+63	PE		12	69.3	5.20	---	---	---	10.7	---
Rt Sta 16+70	PE		13	112.5	8.44	---	---	---	17.3	---
Lt Sta 63+51	PE	Includes MB Turnout	24	150.6	11.30	---	---	---	23.2	---
Rt Sta 76+76	PE		28	180.6	13.55	---	---	---	27.8	---
Lt Sta 76+97	MB		---	26.4	1.98	---	---	---	4.1	---
Rt Sta 78+65	PE		12	99.3	7.45	---	---	---	15.3	---
Rt Sta 87+53	PE		18	129.1	9.68	---	---	---	19.9	---
Lt Sta 87+64	MB		---	26.4	1.98	---	---	---	4.1	---
Rt Sta 92+77	CE		35	199.0	14.93	---	---	---	30.6	---
Rt Sta 97+75	PE		22	130.4	9.78	---	---	---	20.1	---
Carroll County Totals (Rural)				109.9	75.0	0.0	15.0	225.7	0.0	
Grand Totals				1,308.0	1,102.8	50.0	234	2,681.0	4,590.0	

Side Roads Entrances - Pilgrim Rd

FAP 646 (IL 40)
SECTION (7, 8, 9)RS-2
CARROLL AND WHITESIDE COUNTIES
CONTRACT # 64F85
SHEET 37 OF 85

Location	Remarks	Width at Back R.O.W		Surface Area	X4060110 BITUMINOUS MATERIALS (PRIME COAT) - 2 APPLICATIONS POUND	40600982 Hot-Mix Asphalt Surface Removal - Butt Joint	40600985 Portland Cement Concrete Surface Removal-Butt Joint	40800050 Incidental Hot-Mix Asphalt Surfacing	44000158 Hot-Mix Asphalt Surface Removal, 2 1/4"
		Foot	Sq Yd						
Pilgrim Road West									
Whiteside County									
Rt Sta 303+68	PE			106.6	8.00	---		16.4	44000158
Lt Sta 306+24	MB			8.3	0.62	---		1.3	106.6
Lt Sta 306+42	PE			77.8	5.84	---		12.0	8.3
Lt Sta 319+38	MB			28.9	2.17	---		4.4	77.8
Lt Sta 320+38	PE	16		52.8	3.96	---		8.1	---
Rt Sta 341+25	PE	14		52.0	3.90	---		8.0	---
Lt Sta 341+25	MB			39.7	2.98	---		6.1	---
Rt Sta 347+42	SR	24		55.9	4.19	66.67		8.6	---
Lt Sta 347+42	SR	24		99.6	7.47	66.67		15.3	---
Rt Sta 351+35	PE	24		99.3	7.45	---		15.3	---
Rt Sta 351+73	PE			40.6	3.05	---		6.3	---
Lt Sta 351+80	PE			59.5	4.46	---		9.2	---
Lt Sta 352+00	MB			14.7	1.10	---		2.3	---
Lt Sta 352+28	PE	13		61.6	4.62	---		9.5	---
Lt Sta 352+60	MB			13.0	0.98	---		2.0	---
Lt Sta 352+92	PE	17		69.7	5.23	---		10.7	---
Rt Sta 377+63	PE	20		64.0	4.80	---		9.9	---
Lt Sta 377+65	MB			45.8	3.44	---		7.1	---
Rt Sta 393+77	PE	34		40.0	3.00	---	40.0	6.2	---
Rt Sta 398+18	PE	38		286.0	21.45	---		44.0	---
Grand Totals					98.7	133.3	40.0	202.6	192.7

SCHEDULE OF QUANTITIES

20400800		<u>FURNISHED EXCAVATION</u>						<u>CU YD</u>
Rural		<u>LOCATION</u>				<u>REMARKS</u>		
						All Quantities Estimated for Guardrail Locations		
STA	1162+32.5	TO	1163+16.5	RT	Bump out- SE corner		25	
STA	1162+82.5	TO	1163+66.5	LT	Bump out- SW corner		25	
STA	1167+96.5	TO	1168+80.5	RT	Bump out-NE corner		25	
STA	1168+46.5	TO	1169+30.5	LT	Bump out-NW corner		25	
STA	1207+78.5	TO	1208+62.5	LT	Bump out		25	
STA	1212+02.5	TO	1212+86.5	RT	Bump out		25	
STA	1212+37.5	TO	1213+10.0	LT	Bump out		25	
STA	1315+82.5	TO	1316+66.5	RT	Bump out		25	
STA	1316+57.5	TO	1317+41.5	LT	Bump out		25	
							<u>225</u>	
							<u>225</u>	
		WHITESIDE COUNTY TOTAL						225
Rural		CARROLL COUNTY						
STA	7+60.0	TO	8+44.0	RT	Bump out		25	
STA	7+87.5	TO	8+71.5	LT	Bump out		25	
STA	11+50.5	TO	12+34.5	RT	Bump out		25	
							<u>75</u>	
		CARROLL COUNTY TOTAL						75
							<u>300</u>	
							GRAND TOTAL	300
21101600		<u>TOPSOIL FURNISH AND PLACE, VARIABLE DEPTH</u>						<u>SQ YD</u>
Urban		<u>LOCATION</u>						
		WHITESIDE COUNTY						
STA	834+37.5	TO	852+36.0	LT & RT	4' Turf Wedge at Drop-off outside 7' HMA Shlds		799	
							<u>799</u>	
		WHITESIDE COUNTY TOTAL						799
							<u>799</u>	
		GRAND TOTAL						799
21400100		<u>GRADING AND SHAPING DITCHES</u>						<u>FOOT</u>
Rural		<u>LOCATION</u>						
		WHITESIDE COUNTY						
STA	970+70.0	TO	971+21.0		Ditch Cleaning		51.0	
STA	971+60.0	TO	971+82.0		Ditch Cleaning		22.0	
							<u>73.0</u>	
		GRAND TOTAL						73.0
25000210		<u>SEEDING, CLASS 2A</u>						<u>ACRE</u>
Urban		<u>LOCATION</u>				<u>REMARKS</u>		
		WHITESIDE COUNTY						
STA	834+37.5	TO	852+36.0	LT & RT	4' Turf Wedge at Drop-off outside 7' HMA Shlds		0.40	
							<u>0.40</u>	
Rural								
STA	970+70.0	TO	971+21.0	LT	Ditch Cleaning		0.01	
STA	971+60.0	TO	971+82.0	LT	Ditch Cleaning		0.006	
						All Quantities Estimated		
STA	1162+32.5	TO	1163+16.5	RT	SE corner		0.03	
STA	1162+82.5	TO	1163+66.5	LT	SW corner		0.03	
STA	1167+96.5	TO	1168+80.5	RT	NE corner		0.03	
STA	1168+46.5	TO	1169+30.5	LT	NW corner		0.03	
STA	1207+78.5	TO	1208+62.5	LT			0.03	
STA	1212+02.5	TO	1212+86.5	RT			0.03	
STA	1212+37.5	TO	1213+10.0	LT			0.03	
STA	1315+82.5	TO	1316+66.5	RT			0.03	
STA	1316+57.5	TO	1317+41.5	LT			0.03	
							<u>0.29</u>	
		WHITESIDE COUNTY TOTAL						0.69

SCHEDULE OF QUANTITIES

Rural	CARROLL COUNTY						
	STA	7+60.0	TO	8+44.0	RT	0.02	
	STA	7+87.5	TO	8+71.5	LT	0.02	
	STA	11+50.5	TO	12+34.5	RT	0.02	
						CARROLL COUNTY TOTAL 0.06	
						GRAND TOTAL 0.75	
25100630	EROSION CONTROL BLANKET						SQ YD
	<u>LOCATION</u>						
Urban	WHITESIDE COUNTY						
	STA	834+37.5	TO	852+36.0	LT & RT	4' Turf Wedge at Drop-off outside 7' HMA Shlds	1,599
							<u>1,599</u>
Rural							
	STA	970+70.0	TO	971+21.0	LT	Ditch Cleaning	45
	STA	971+60.0	TO	971+82.0	LT	Ditch Cleaning	20
						All Quantities Estimated	
	STA	1162+32.5	TO	1163+16.5	RT	Bump out- SE corner	101
	STA	1162+82.5	TO	1163+66.5	LT	Bump out-SW corner	101
	STA	1167+96.5	TO	1168+80.5	RT	Bump out-NE corner	101
	STA	1168+46.5	TO	1169+30.5	LT	Bump out-NW corner	101
	STA	1207+78.5	TO	1208+62.5	LT	Bump out	101
	STA	1212+02.5	TO	1212+86.5	RT	Bump out	101
	STA	1212+37.5	TO	1213+10.0	LT	Bump out	101
	STA	1315+82.5	TO	1316+66.5	RT	Bump out	101
	STA	1316+57.5	TO	1317+41.5	LT	Bump out	101
							<u>975</u>
						WHITESIDE COUNTY TOTAL	2,574
Rural	CARROLL COUNTY						
	STA	7+60.0	TO	8+44.0	RT	Bump out	101
	STA	7+87.5	TO	8+71.5	LT	Bump out	101
	STA	11+50.5	TO	12+34.5	RT	Bump out	101
							<u>303</u>
						CARROLL COUNTY TOTAL	303
						GRAND TOTAL	2,877
28000250	TEMPORARY EROSION CONTROL SEEDING						
	<u>LOCATION</u>						<u>POUND</u>
Urban	WHITESIDE COUNTY						
	AS NEEDED FOR 4' TURF WEDGE AT DROP-OFF OUTSIDE 7' HMA SHLDR(4 applications)						132.0
Rural	AS NEEDED BY THE RESIDENT ENGINEER AT IMPROVED GUARDRAIL LOCATIONS(4 applications)						80.0
						<u>212</u>	
						WHITESIDE COUNTY TOTAL	212
Rural	CARROLL COUNTY						
	AS NEEDED BY THE RESIDENT ENGINEER AT IMPROVED GUARDRAIL LOCATIONS(4 applications)						25.0
						<u>25</u>	
						CARROLL COUNTY TOTAL	25
						GRAND TOTAL	237
28000400	PERIMETER EROSION BARRIER						<u>FOOT</u>
	<u>LOCATION</u>						
	WHITESIDE COUNTY						
Rural							
	STA	1162+32.5	TO	1163+16.5	RT	bump out-SE corner	84
	STA	1162+82.5	TO	1163+66.5	LT	bump out-SW corner	84
	STA	1167+96.5	TO	1168+80.5	RT	bump out-NE corner	84
	STA	1168+46.5	TO	1169+30.5	LT	bump out-NW corner	84
	STA	1207+78.5	TO	1208+62.5	LT	bump out	84
	STA	1212+02.5	TO	1212+86.5	RT	bump out	84
	STA	1212+37.5	TO	1213+10.0	LT	bump out	73
	STA	1315+82.5	TO	1316+66.5	RT	Bump out	84
	STA	1316+57.5	TO	1317+41.5	LT	Bump out	84
							<u>745</u>
						WHITESIDE COUNTY TOTAL	745
Rural	CARROLL COUNTY						
	STA	7+60.0	TO	8+44.0	RT	Bump out	84

SCHEDULE OF QUANTITIES

	STA	7+87.5	TO	8+71.5	LT	Bump out	84
	STA	11+50.5	TO	12+34.5	RT	Bump out	84
							<u>252</u>
						CARROLL COUNTY TOTAL	252
						GRAND TOTAL	<u>997</u>
28000500						INLET AND PIPE PROTECTION	
	<u>LOCATION</u>					<u>REMARKS</u>	<u>EACH</u>
Rural	WHITESIDE COUNTY						
	STA	971+64.0					1
						WHITESIDE COUNTY TOTAL	<u>1</u>
						GRAND TOTAL	<u>1</u>
30300001						AGGREGATE SUBGRADE IMPROVEMENT	
	<u>LOCATION</u>					<u>REMARKS</u>	<u>CUYD</u>
Rural	WHITESIDE COUNTY						
	STA	1085+05	TO	1086+80	RT	Patch	59.68
	STA	1085+05	TO	1085+08	RT	Patch	1.11
							<u>60.8</u>
						WHITESIDE COUNTY TOTAL	60.8
40600627						LEVELING BINDER (MACHINE METHOD), IL-9.5FG, N50	
	<u>LOCATION</u>					<u>REMARKS</u>	<u>TON</u>
Rural	See HMA Schedule - IL 40 Mainline						
	STA	881+89	TO	883+12	RT	Edge of pavement repair (3' WIDE)	4.59
	STA	1102+11	TO	1104+21	RT	Edge of pavement repair (18" WIDE)	7.84
	STA	1224+03	TO	1229+52	RT	Edge of pavement repair (18" WIDE)	20.50
	STA	1291+64	TO	1292+92	LT	Edge of pavement repair (18" WIDE)	4.78
	STA	1295+38	TO	1298+19	LT	Edge of pavement repair (18" WIDE)	10.49
	STA	1240+50	TO	1243+35	LT	Edge of pavement repair (18" WIDE)	10.64
						WHITESIDE COUNTY TOTAL	<u>59</u>
						GRAND TOTAL	59
40603310						HOT-MIX ASPHALT SURFACE COURSE MIX "C" N50 (SHOULDERS)	
	<u>LOCATION</u>					<u>REMARKS</u>	<u>TON</u>
Rural	WHITESIDE COUNTY						
	STA	1085+05	TO	1085+08	RT	Shoulder Repair	0.42
						WHITESIDE COUNTY TOTAL	<u>0.42</u>
						GRAND TOTAL	1
44000100						PAVEMENT REMOVAL	
	<u>LOCATION</u>					<u>REMARKS</u>	<u>SQ YD</u>
Rural	WHITESIDE COUNTY						
	STA	1085+05	TO	1085+08	RT	removal of EX Shoulder for French Drain	3.3
						WHITESIDE COUNTY TOTAL	<u>3</u>
						GRAND TOTAL	3
44000165						HOT-MIX ASPHALT SURFACE REMOVAL, 4"	
	<u>LOCATION</u>					<u>REMARKS</u>	<u>SQ YD</u>
Rural	WHITESIDE COUNTY						
	STA	881+89	TO	883+12	RT	Edge of pavement repair (3' WIDE)	41.0
	STA	1102+11	TO	1104+21	RT	Edge of pavement repair (18" WIDE)	35.0
	STA	1224+03	TO	1229+52	RT	Edge of pavement repair (18" WIDE)	91.5
	STA	1291+64	TO	1292+92	LT	Edge of pavement repair (18" WIDE)	21.3
	STA	1295+38	TO	1298+19	LT	Edge of pavement repair (18" WIDE)	46.8
	STA	1240+50	TO	1243+35	LT	Edge of pavement repair(18" WIDE)	47.5
						WHITESIDE COUNTY TOTAL	<u>283</u>
						GRAND TOTAL	283
44201359						CLASS C PATCHES, TYPE IV, 10 INCH	
	<u>LOCATION</u>					<u>REMARKS</u>	<u>SQ YD</u>
Rural	WHITESIDE COUNTY						
	STA	1085+05	TO	1086+80	RT		253
						WHITESIDE COUNTY TOTAL	<u>253</u>
						GRAND TOTAL	253
44300200						STRIP REFLECTIVE CRACK CONTROL TREATMENT	
	<u>LOCATION</u>					<u>REMARKS</u>	<u>FOOT</u>

SCHEDULE OF QUANTITIES

Rural	WHITESIDE COUNTY							
	STA 1170+63	TO	1185+62	RT	Along Right Turn Lane		1,499	
	STA 1273+04	TO	1288+14	RT	Along Left Turn Lane		1,510	
	STA 881+89	TO	883+12	RT	Edge of pavement repair (3' WIDE)		123	
	STA 1102+11	TO	1104+21	RT	Edge of pavement repair (18" WIDE)		210	
	STA 1224+03	TO	1229+52	RT	Edge of pavement repair (18" WIDE)		549	
	STA 1291+64	TO	1292+92	LT	Edge of pavement repair (18" WIDE)		128	
	STA 1295+38	TO	1298+19	LT	Edge of pavement repair (18" WIDE)		281	
	STA 1240+50	TO	1243+35	LT	Edge of pavement repair (18" WIDE)		285	
						WHITESIDE COUNTY TOTAL	4,585	
						GRAND TOTAL	4,585	
48203020	HOT-MIX ASPHALT SHOULDERS, 5 3/4"							
	<u>LOCATION</u>				<u>REMARKS</u>			<u>SQ YD</u>
Rural	WHITESIDE COUNTY							
	STA 1085+05	TO	1085+08	RT	Patch		3.3	
							3.3	
						GRAND TOTAL	3	
60100080	FRENCH DRAINS							
	<u>LOCATION</u>				<u>REMARKS</u>			<u>CU YD</u>
Rural	WHITESIDE COUNTY							
	STA 1085+05	TO	1085+08	RT	Outlet Area Within Foreslope		1.1	
						WHITESIDE COUNTY TOTAL	1	
						GRAND TOTAL	1	
63000001	STEEL PLATE BEAM GUARDRAIL, TYPE A, 6 FOOT POSTS							
	<u>LOCATION</u>							<u>FOOT</u>
Rural	WHITESIDE COUNTY							
	STA 1318+29.0	TO	1319+29.0	LT			100	
						WHITESIDE COUNTY TOTAL	100	
						GRAND TOTAL	100	
63100167	TRAFFIC BARRIER TERMINAL, TYPE 1 (SPECIAL) TANGENT							
	<u>LOCATION</u>							<u>EACH</u>
Rural	WHITESIDE COUNTY							
	STA 1162+66.5	TO	1163+16.5	RT	Install new end section(SE corner)		1	
	STA 1163+16.5	TO	1163+66.5	LT	Install new end section(SW corner)		1	
	STA 1167+96.5	TO	1168+46.5	RT	Install new end section(ME corner)		1	
	STA 1168+46.5	TO	1168+96.5	LT	Install new end section(NW corner)		1	
	STA 1207+77.5	TO	1208+27.5	RT			1	
	STA 1208+12.5	TO	1208+62.5	LT			1	
	STA 1212+02.5	TO	1212+52.5	RT			1	
	STA 1212+37.5	TO	1212+87.5	LT			1	
	STA 1316+16.5	TO	1316+66.5	RT			1	
	STA 1316+91.5	TO	1317+41.5	LT			1	
						WHITESIDE COUNTY TOTAL	10	
Rural	CARROLL COUNTY							
	STA 7+94.0	TO	8+44.0	RT			1	
	STA 8+21.5	TO	8+71.5	LT			1	
	STA 11+50.5	TO	12+00.5	RT			1	
						CARROLL COUNTY TOTAL	3	
						GRAND TOTAL	13	
63100169	TRAFFIC BARRIER TERMINAL, TYPE 1 (SPECIAL) FLARED							
	<u>LOCATION</u>							<u>EACH</u>
Rural	CARROLL COUNTY							
	STA 10+11.5	TO	10+61.5	LT			1	
						GRAND TOTAL	1	
63200310	GUARDRAIL REMOVAL							
	<u>LOCATION</u>							<u>FOOT</u>
Rural	WHITESIDE COUNTY							
	STA 1162+91.5	TO	1163+16.5	RT	Remove 25' (SE corner)		25	
	STA 1163+41.5	TO	1163+66.5	LT	Remove 25'(SW corner)		25	
	STA 1167+96.5	TO	1168+21.5	RT	Remove 25'(NE corner)		25	
	STA 1168+46.5	TO	1168+71.5	LT	Remove 25'(NW corner)		25	
	STA 1207+77.5	TO	1208+27.5	RT			50	
	STA 1208+37.5	TO	1208+62.5	LT			25	
	STA 1212+02.5	TO	1212+27.5	RT			25	
	STA 1212+37.5	TO	1212+87.5	LT			50	
	STA 1316+41.5	TO	1316+66.5	RT			25	
	STA 1317+16.5	TO	1317+41.5	LT			25	
	STA 1318+29.0	TO	1319+29.0	LT			100	

SCHEDULE OF QUANTITIES

						WHITESIDE COUNTY TOTAL	400
Rural	CARROLL COUNTY						
	STA	8+19.0	TO	8+44.0	RT		25
	STA	8+46.5	TO	8+71.5	LT	Reuse 2 posts attached to structure	25
	STA	10+11.5	TO	10+61.5	LT		50
	STA	11+50.5	TO	11+75.5	RT		25
						CARROLL COUNTY TOTAL	125
						GRAND TOTAL	525
63300575	REMOVE AND REERECT RAIL ELEMENT OF EXISTING GUARDRAIL						FOOT
	<u>LOCATION</u>						
Rural	WHITESIDE COUNTY						
	STA	1208+27.5	TO	1212+02.5	RT		375
	STA	1208+62.5	TO	1212+37.5	LT		375
	STA	1316+66.5	TO	1319+29.0	RT		262.5
	STA	1317+41.5	TO	1318+29.0	LT		87.5
						WHITESIDE COUNTY TOTAL	1,100
Rural	CARROLL COUNTY						
	STA	8+18.5	TO	11+75.0	RT		357
	STA	8+48.9	TO	10+61.6	LT		213
						CARROLL COUNTY TOTAL	569
						GRAND TOTAL	1,669
63500105	DELINEATORS						EACH
	<u>LOCATION</u>					<u>REMARKS</u>	
Rural	WHITESIDE COUNTY						
	STA	1162+66.5	RT			At the End of End Sections Throughout	1
	STA	1163+16.5	LT				1
	STA	1168+46.5	RT				1
	STA	1168+96.5	LT				1
	STA	1207+77.5	RT				1
	STA	1208+12.5	LT				1
	STA	1212+52.5	RT				1
	STA	1212+87.5	LT				1
	STA	1316+16.5	RT				1
	STA	1316+91.5	LT				1
						WHITESIDE COUNTY TOTAL	10
Rural	CARROLL COUNTY						
	STA	7+94.0	RT				1
	STA	8+21.5	LT				1
	STA	10+61.5	LT				1
	STA	12+00.5	RT				1
						CARROLL COUNTY TOTAL	4
						GRAND TOTAL	14
66700305	PERMANENT SURVEY MARKERS, TYPE II						EACH
	<u>LOCATION</u>						
Urban	WHITESIDE COUNTY						1
							1
Rural	WHITESIDE COUNTY						7
							7
						WHITESIDE COUNTY TOTAL	8
Rural	CARROLL COUNTY						2
						CARROLL COUNTY TOTAL	2
						GRAND TOTAL	10
78009000	MODIFIED URETHANE PAVEMENT MARKING - LETTERS AND SYMBOLS						SQ FT
	<u>LOCATION</u>					<u>REMARKS</u>	
Rural	WHITESIDE COUNTY						
	STA	873+32.0	RT		WHITE	RIGHT TURN ARROW	15.6
	STA	873+32.0	RT		WHITE	LEFT TURN ARROW	15.6
	STA	874+12.0	RT		WHITE	RIGHT TURN ARROW	15.6
	STA	874+12.0	RT		WHITE	LEFT TURN ARROW	15.6
	STA	874+92.0	RT		WHITE	RIGHT TURN ARROW	15.6
	STA	874+92.0	RT		WHITE	LEFT TURN ARROW	15.6
	STA	875+72.0	RT		WHITE	RIGHT TURN ARROW	15.6
	STA	875+72.0	RT		WHITE	LEFT TURN ARROW	15.6
	STA	877+10.0	LT		WHITE	LEFT TURN ARROW	15.6
	STA	877+10.0	LT		WHITE	RIGHT TURN ARROW	15.6
	STA	877+58.0	LT		WHITE	LEFT TURN ARROW	15.6

SCHEDULE OF QUANTITIES

STA	877+58.0	LT	WHITE	RIGHT TURN ARROW	15.6
STA	878+05.0	LT	WHITE	LEFT TURN ARROW	15.6
STA	878+05.0	LT	WHITE	RIGHT TURN ARROW	15.6
STA	1179+06.0	RT	WHITE	RIGHT TURN ARROW	15.6
STA	1179+67.0	RT	WHITE	RIGHT TURN ARROW	15.6
STA	1180+27.0	RT	WHITE	RIGHT TURN ARROW	15.6
STA	1181+25.0	LT	WHITE	LEFT TURN ARROW	15.6
STA	1181+66.0	LT	WHITE	LEFT TURN ARROW	15.6
STA	1182+04.0	LT	WHITE	LEFT TURN ARROW	15.6
STA	1280+33.0	LT	WHITE	LEFT TURN ARROW	15.6
STA	1280+79.0	LT	WHITE	LEFT TURN ARROW	15.6
STA	1281+24.0	LT	WHITE	LEFT TURN ARROW	15.6
STA	1282+37.0	LT	WHITE	RIGHT TURN ARROW	15.6
STA	1283+13.0	LT	WHITE	RIGHT TURN ARROW	15.6
STA	1284+93.0	LT	WHITE	RIGHT TURN ARROW	15.6
WHITESIDE COUNTY TOTAL					405.6
GRAND TOTAL					405.6

78009004

MODIFIED URETHANE PAVEMENT MARKING - LINE 4"				REMARKS	FOOT
LOCATION	WHITESIDE COUNTY				
Urban	MAINLINE				
	STA	834+37.5	TO 835+05.0	YELLOW	MEDIAN DOUBLE 270.0
	STA	835+05.0	TO 835+19.0	YELLOW	MEDIAN DOUBLE 56.0
	STA	835+19.0	TO 861+36.0	YELLOW	SKIP DASH 655.0
					WHITESIDE COUNTY 981.0
Rural	WHITESIDE COUNTY				
	MAINLINE				
	STA	861+36.0	TO 867+41.83	YELLOW	RT SOLID/LT SKIP 757.8
	STA	867+41.83	TO 867+78.0	YELLOW	DOUBLE SOLID W/DIA 72.3
	STA	867+59.0	TO 872+53.0	YELLOW	MEDIAN DOUBLE 1976.0
	STA	872+53.0	TO 875+91.43	YELLOW	DOUBLE SOLID W/DIA 676.9
	STA	877+02.36	TO 878+64.0	YELLOW	DOUBLE SOLID W/DIA 323.3
	STA	878+64.0	TO 882+70.0	YELLOW	MEDIAN DOUBLE 1624.0
	STA	882+70.0	TO 883+02.27	YELLOW	DOUBLE SOLID 64.5
	STA	883+02.27	TO 883+87.20	YELLOW	DOUBLE SOLID 169.9
	STA	883+87.20	TO 889+68.0	YELLOW	RT SKIP/LT SOLID 726.8
	STA	889+68.0	TO 966+76.8	YELLOW	SKIP DASH 1928.0
	STA	966+76.8	TO 976+80.0	YELLOW	RT SOLID/LT SKIP 1254.2
	STA	976+80.0	TO 1016+50.0	YELLOW	DOUBLE SOLID 7940.0
	STA	1016+50.0	TO 1017+74.0	YELLOW	RT SKIP/LT SOLID 155.0
	STA	1017+74.0	TO 1025+37.0	YELLOW	SKIP DASH 191.0
	STA	1025+90.4	TO 1033+82.4	YELLOW	RT SOLID/LT SKIP 990.0
	STA	1033+82.4	TO 1043+85.60	YELLOW	DOUBLE SOLID 2006.4
	STA	1043+85.60	TO 1054+41.6	YELLOW	RT SKIP/LT SOLID 1320.0
	STA	1054+41.6	TO 1060+02.0	YELLOW	SKIP DASH 141.0
	STA	1060+75.20	TO 1073+00.0	YELLOW	RT SOLID/LT SKIP 1531.8
Rural	WHITESIDE COUNTY				
	MAINLINE				
	STA	1073+00.0	TO 1106+21.0	YELLOW	DOUBLE SOLID 6642.0
	STA	1106+21.0	TO 1115+13.6	YELLOW	RT SKIP/LT SOLID 1116.6
	STA	1115+13.6	TO 1146+76.0	YELLOW	SKIP DASH 791.0
	STA	1146+81.6	TO 1156+32.0	YELLOW	RT SOLID/LT SKIP 1188.4
	STA	1156+32.0	TO 1175+35.74	YELLOW	DOUBLE SOLID 3807.5
	STA	1175+35.74	TO 1175+63.00	YELLOW	DOUBLE SOLID W/DIA 54.5
	STA	1175+63.00	TO 1180+45.58	YELLOW	MEDIAN DOUBLE 1930.3
	STA	1181+14.33	TO 1182+58.0	YELLOW	DOUBLE SOLID W/DIA 287.3
	STA	1182+58.0	TO 1188+25.0	YELLOW	MEDIAN DOUBLE 2268.0
	STA	1188+25.0	TO 1188+74.33	YELLOW	DOUBLE SOLID W/DIA 98.7
	STA	1188+74.33	TO 1195+92.0	YELLOW	RT SKIP/LT SOLID 897.7
	STA	1195+92.0	TO 1212+28.8	YELLOW	SKIP DASH 410.0
	STA	1212+28.8	TO 1221+79.2	YELLOW	RT SOLID/LT SKIP 1188.4
	STA	1221+79.2	TO 1235+52.0	YELLOW	DOUBLE SOLID 2745.6
	STA	1235+52.0	TO 1244+49.6	YELLOW	RT SKIP/LT SOLID 1122.6
	STA	1244+49.6	TO 1246+08.0	YELLOW	SKIP DASH 40.0
	STA	1246+08.0	TO 1254+00.0	YELLOW	RT SOLID/LT SKIP 990.0
	STA	1254+00.0	TO 1273+83.72	YELLOW	DOUBLE SOLID 3967.4
	STA	1273+83.72	TO 1274+57.0	YELLOW	DOUBLE SOLID W/DIA 146.6
	STA	1274+57.0	TO 1279+60.0	YELLOW	MEDIAN DOUBLE 2012.0
	STA	1279+60.0	TO 1281+44.29	YELLOW	DOUBLE SOLID W/DIA 368.6
	STA	1282+07.31	TO 1286+70.0	YELLOW	MEDIAN DOUBLE 1850.8
	STA	1286+70.0	TO 1287+34.88	YELLOW	DOUBLE SOLID W/DIA 129.8
	STA	1287+34.88	TO 1342+03.0	YELLOW	DOUBLE SOLID 10936.2

SCHEDULE OF QUANTITIES

	STA	1342+03.0	TO	1349+43.0	YELLOW	RT SKIP/LT SOLID	925.0		
	STA	1349+43.0	TO	1351+85.0	YELLOW	SKIP DASH	61.0		
	STA	1351+85.0	TO	1360+65.6	YELLOW	RT SOLID/LT SKIP	1101.6		
	STA	1360+65.6	TO	1379+41.0	YELLOW	DOUBLE SOLID	3750.8		
	STA	1379+41.0	TO	1388+09.5	YELLOW	RT SKIP/LT SOLID	1087.0		
						WHITESIDE COUNTY	75,764.2		
Rural	CARROLL COUNTY								
	MAINLINE								
	STA	0+00	TO	1+18.0	CL	YELLOW	RT SKIP/LT SOLID	148.0	
	STA	1+18.0	TO	19+63.0	CL	YELLOW	SKIP DASH	470.0	
	STA	19+53.6	TO	26+60.0	CL	YELLOW	RT SOLID/LT SKIP	886.4	
	STA	26+60.0	TO	31+15.2	CL	YELLOW	DOUBLE SOLID	910.4	
	STA	31+15.2	TO	38+54.4	CL	YELLOW	RT SKIP/LT SOLID	929.2	
	STA	38+54.4	TO	70+17.0	CL	YELLOW	SKIP DASH	800.0	
	STA	70+17.0	TO	80+25.6	CL	YELLOW	RT SOLID/LT SKIP	1268.6	
	STA	80+25.6	TO	82+85.0	CL	YELLOW	DOUBLE SOLID	518.8	
	STA	82+85.0	TO	89+76.0	CL	YELLOW	RT SKIP/LT SOLID	871.0	
	STA	89+76.0	TO	98+04.0	CL	YELLOW	SKIP DASH	210.0	
	STA	98+04.0	TO	98+71.5	CL	YELLOW	RT SKIP/LT SOLID	87.5	
	STA	+84.0	TO	98+04.0	LT	WHITE	EOP	9720.0	
	STA	1+08.0	TO	98+04.0	RT	WHITE	EOP	9696.0	
	STA	98+04.0	TO	98+71.5	LT	WHITE	EOP	67.5	
	STA	98+04.0	TO	98+71.5	RT	WHITE	EOP	67.5	
Rural	CARROLL COUNTY								
	SIDEROADS								
	STA	0+00	RT			WHITE EOP	CLARK ROAD NORTH HALF	117.0	
	STA	0+00	LT			WHITE EOP	CLARK ROAD NORTH HALF	103.0	
							CARROLL COUNTY TOTAL	26,870.9	
Urban	WHITESIDE COUNTY								
	MAINLINE								
	STA	834+37.5	TO	835+05.0	LT	WHITE	EOP	67.5	
	STA	834+37.5	TO	835+05.0	RT	WHITE	EOP	67.5	
	STA	835+05.0	TO	849+20.0	LT	WHITE	EOP	1415.0	
	STA	835+05.0	TO	835+96.0	RT	WHITE	EOP	91.0	
	STA	836+58.0	TO	849+20.0	RT	WHITE	EOP	1262.0	
	STA	850+67.0	TO	875+40.0	LT	WHITE	EOP	2473.0	
	STA	850+67.0	TO	875+85.0	RT	WHITE	EOP	2518.0	
								7,894.0	
Rural	WHITESIDE COUNTY								
	MAINLINE								
	STA	877+19.0	TO	956+10.0	LT	WHITE	EOP	7891.0	
	STA	877+32.0	TO	970+10.0	RT	WHITE	EOP	9278.0	
	STA	957+70.0	TO	1014+38.0	LT	WHITE	EOP	5668.0	
	STA	971+65.0	TO	1072+83.0	RT	WHITE	EOP	10118.0	
	STA	1016+00.0	TO	1060+09.0	LT	WHITE	EOP	4409.0	
	STA	1061+47.0	TO	1073+23.0	LT	WHITE	EOP	1176.0	
	STA	1074+18.0	TO	1129+75.0	RT	WHITE	EOP	5557.0	
	STA	1074+51.0	TO	1102+98.0	LT	WHITE	EOP	2847.0	
	STA	1104+44.0	TO	1129+60.0	LT	WHITE	EOP	2516.0	
	STA	1131+05.0	TO	1281+01.0	LT	WHITE	EOP	14996.0	
	STA	1131+15.0	TO	1179+96.0	RT	WHITE	EOP	4881.0	
	STA	1181+50.0	TO	1229+37.0	RT	WHITE	EOP	4787.0	
	STA	1230+93.0	TO	1362+62.0	RT	WHITE	EOP	13169.0	
	STA	1282+56.0	TO	1362+32.0	LT	WHITE	EOP	7976.0	
	STA	1363+67.0	TO	1387+38.0	RT	WHITE	EOP	2371.0	
	STA	1363+79.0	TO	1387+32.0	LT	WHITE	EOP	2353.0	
							WHITESIDE COUNTY	99,993.0	
Urban	WHITESIDE COUNTY								
	SIDEROADS								
	STA	836+25.0	RT			WHITE EOP	North and south	AIRPORT ROAD/25TH STREET	96.0
	STA	850+07.0	RT			WHITE EOP	North and south	WAHL ROAD/29TH STREET	150.0
	STA	850+09.0	LT			WHITE EOP	North and south	WAHL ROAD/29TH STREET	150.0
	STA	850+09.0	LT			YELLOW SKIP DASH		WAHL ROAD/29TH STREET	20.0
								WHITESIDE COUNTY	416.0
Rural	WHITESIDE COUNTY								
	SIDEROADS								
	STA	876+48.0	RT			WHITE EOP	North and south	SCIENCE RIDGE ROAD	320.0
	STA	876+48.0	LT			WHITE EOP	North and south	SCIENCE RIDGE ROAD	400.0
	STA	876+47.8	RT			YELLOW DOUBLE SOLID		SCIENCE RIDGE ROAD	56.0

SCHEDULE OF QUANTITIES

STA	Offset	Side	Material	Location	Quantity
STA 876+47.8		RT	YELLOW MEDIAN	SCIENCE RIDGE ROAD	300.0
STA 876+47.8		LT	YELLOW DOUBLE SOLID	SCIENCE RIDGE ROAD	70.0
STA 876+47.8		LT	YELLOW MEDIAN	SCIENCE RIDGE ROAD	332.0
STA 957+15.0		LT	WHITE EOP	FULFS ROAD	250.0
STA 957+15.2		LT	DOUBLE SOLID YELLOW	FULFS ROAD	76.0
STA 970+98.0		RT	WHITE EOP	FULFS ROAD	218.0
STA 1015+10.0		LT	WHITE EOP	QUINN ROAD	236.0
STA 1060+84.0		LT	WHITE EOP	ADA STREET	240.0
STA 1073+78.0		RT	WHITE EOP	CAPP ROAD	200.0
STA 1073+86.0		LT	WHITE EOP	CAPP ROAD	195.0
STA 1103+83.0		LT	WHITE EOP	AVERS ROAD	169.0
STA 1130+39.0		RT	WHITE EOP	PENROSE ROAD	223.0
STA 1130+43.0		LT	WHITE EOP	PENROSE ROAD	145.0
STA 1180+69.0		RT	WHITE EOP	PILGRIM ROAD(EAST)	325.0
STA 1180+69.0		RT	MEDIAN DOUBLE YELLOW	PILGRIM ROAD(EAST)	400.0
STA 1230+36.0		RT	WHITE EOP	RIDGE ROAD	200.0
STA 1230+39.0		LT	WHITE EOP	RIDGE ROAD	225.0
STA 1281+90.0		LT	WHITE EOP	PILGRIM ROAD(WEST)	282.0
STA 1281+90.0		LT	MEDIAN DOUBLE YELLOW	PILGRIM ROAD(WEST)	372.0
STA 1363+03.0		LT	WHITE EOP	GENESEE ROAD	206.0
STA 1363+03.0		RT	WHITE EOP	GENESEE ROAD	150.0
STA 1388+10.0		LT	WHITE EOP	CLARK ROAD - SOUTH HALF	106.0
STA 1388+10.0		RT	WHITE EOP	CLARK ROAD - SOUTH HALF	89.0
				WHITESIDE COUNTY	5785.0
				WHITESIDE COUNTY URBAN TOTAL	9291.0
				WHITESIDE COUNTY RURAL TOTAL	181,542.2
				CARROLL COUNTY TOTAL	26,870.9
				GRAND TOTAL	217,704.1

78009008

MODIFIED URETHANE PAVEMENT MARKING - LINE 8"					REMARKS	FOOT	
LOCATION							
Rural	WHITESIDE COUNTY						
	873+11.82	TO	875+91.43	RT	WHITE	NB LEFT TURN LANE	279.6
	873+11.82	TO	875+91.43	RT	WHITE	NB RIGHT TURN LANE	279.6
	876+15.0			LT	WHITE	ISLAND BORDER	99.0
	876+80.0			RT	WHITE	ISLAND BORDER	95.0
	877+02.36	TO	878+22.69	LT	WHITE	SB LEFT TURN LANE	120.3
	877+02.36	TO	878+22.69	LT	WHITE	SB RIGHT TURN LANE	120.3
	1177+25.0	TO	1178+87.62	RT	WHITE	NB RIGHT TURN TURKEY TRACKS	42.0
	1178+87.62	TO	1180+46.32	RT	WHITE	NB RIGHT TURN LANE	158.7
	1182+14.28	TO	1183+72.00	LT	WHITE	SB LEFT TURN TURKEY TRACKS	157.7
	1181+14.33	TO	1182+14.28	LT	WHITE	SB LEFT TURN LANE	99.9
	1181+90.0			RT	WHITE	ISLAND BORDER	103.0
	1278+90.0	TO	1280+14.0	RT	WHITE	NB LEFT TURN TURKEY TRACKS	32.0
	1280+14.0	TO	1281+44.27	RT	WHITE	NB LEFT TURN LANE	130.3
	1281+50.0	TO		LT	WHITE	ISLAND BORDER	122.0
	1282+13.70	TO	1284+04.8	LT	WHITE	SB RIGHT TURN LANE	191.1
	1284+04.8	TO	1284+90.0	LT	WHITE	SB RIGHT TURN TURKEY TRACKS	22.0
						GRAND TOTAL	2052.6

78009012

MODIFIED URETHANE PAVEMENT MARKING - LINE 12"					REMARKS	FOOT	
LOCATION							
Rural	WHITESIDE COUNTY						
	STA 834+37.5	TO	835+05.0	butt joint	YELLOW	MAINLINE MEDIAN DIAGONALS	68
	STA 867+59.0	TO	872+69.0	CL	YELLOW	MAINLINE MEDIAN DIAGONALS	230
	STA 876+48.0			RT	YELLOW	SIDEROAD MEDIAN DIAGONALS	19
	STA 876+48.0			LT	YELLOW	SIDEROAD MEDIAN DIAGONALS	22
	STA 878+52.0	TO	882+98.0	CL	YELLOW	MAINLINE MEDIAN DIAGONALS	139
	STA 1175+50.0	TO	1180+30.0	CL	YELLOW	MAINLINE MEDIAN DIAGONALS	143
	STA 1180+69.0	TO		RT	YELLOW	SIDEROAD MEDIAN DIAGONALS	26
	STA 1181+40.0	TO	1188+25.0	CL	YELLOW	MAINLINE MEDIAN DIAGONALS	215
	STA 1273+70.0	TO	1279+76.0	CL	YELLOW	MAINLINE MEDIAN DIAGONALS	233
	STA 1281+90.0			LT	YELLOW	SIDEROAD MEDIAN DIAGONALS	25
	STA 1282+12.0	TO	1287+63.0	CL	YELLOW	MAINLINE MEDIAN DIAGONALS	192
	STA 876+15.0			LT	WHITE	ISLAND DIAGONALS	74
	STA 876+80.0			RT	WHITE	ISLAND DIAGONALS	74
	STA 1084+50.0	TO	1100+50.0	RT	WHITE	SHOULDER DIAGONALS	383
	STA 1181+90.0			RT	WHITE	ISLAND DIAGONALS	89
	STA 1281+50.0			LT	WHITE	ISLAND DIAGONALS	90
						GRAND TOTAL	2022

SCHEDULE OF QUANTITIES

78009024

MODIFIED URETHANE PAVEMENT MARKING - LINE 24"

<u>LOCATION</u>		<u>REMARKS</u>				<u>FOOT</u>	
Urban	WHITESIDE COUNTY						
	STA	850+07.0	RT	STOP BAR	WAHL ROAD/29TH STREET	20.0	
	STA	850+09.0	LT	STOP BAR	WAHL ROAD/29TH STREET	21.0	
						41.0	
Rural	STA	876+57.0	RT	STOP BAR	SCIENCE RIDGE ROAD	12.0	
	STA	876+92.0	RT	STOP BAR	SCIENCE RIDGE ROAD	20.0	
	STA	876+08.0	LT	STOP BAR	SCIENCE RIDGE ROAD	20.0	
	STA	876+41.0	LT	STOP BAR	SCIENCE RIDGE ROAD	13.0	
	STA	1180+69.0	RT	STOP BAR	PILGRIM ROAD(EAST)	13.0	
	STA	1181+35.0	RT	STOP BAR	PILGRIM ROAD(EAST)	20.0	
	STA	1281+85.0	LT	STOP BAR	PILGRIM ROAD(WEST)	18.0	
	STA	1283+49.0	LT	STOP BAR	PILGRIM ROAD(WEST)	13.0	
	STA	1362+90.0	LT	STOP BAR	GENESEE ROAD	19.0	
	STA	1363+10.0	RT	STOP BAR	GENESEE ROAD	20.0	
	STA	13+88.0	LT	STOP BAR	CLARK ROAD - SOUTH HALF	17.0	
							185.0
	Rural	CARROLL COUNTY					
STA		+8.0	RT	STOP BAR	CLARK ROAD - NORTH HALF	16.0	
						16.0	
						GRAND TOTAL 242.0	

78100100

RAISED REFLECTIVE PAVEMENT MARKER

<u>LOCATION</u>		<u>REMARKS</u>				<u>EACH</u>	
Urban	WHITESIDE COUNTY						
	MAINLINE						
STA	834+37.5	TO	859+65.0	AMBER - TWO WAY	28		
						28	
Rural	STA	859+65.0	TO	866+81.0	AMBER - TWO WAY	10	
	STA	866+81.0	TO	875+91.0	AMBER - ONE WAY	57	
	STA	877+00.0	TO	883+02.0	AMBER - ONE WAY	35	
	STA	883+02.0	TO	1175+35.0	AMBER - TWO WAY	379	
	STA	1175+35.0	TO	1180+46.0	AMBER - ONE WAY	30	
	STA	1181+14.0	TO	1188+74.0	AMBER - ONE WAY	50	
	STA	1188+74.0	TO	1273+80.0	AMBER - TWO WAY	105	
	STA	1273+80.0	TO	1281+44.0	AMBER - ONE WAY	47	
	STA	1282+12.0	TO	1287+35.0	AMBER - ONE WAY	30	
	STA	1287+35.0	TO	1388+09.5	AMBER - TWO WAY	125	
	STA	873+12.0	TO	875+91.0	WHITE - ONE WAY	NB LEFT TURN LANE	15
	STA	873+12.0	TO	875+91.0	WHITE - ONE WAY	NB RIGHT TURN LANE	15
	STA	877+02.0	TO	878+27.0	WHITE - ONE WAY	SB LEFT TURN LANE	7
	STA	877+02.0	TO	878+27.0	WHITE - ONE WAY	SB RIGHT TURN LANE	7
	STA	1178+88.0	TO	1180+46.0	WHITE - ONE WAY	NB RIGHT TURN LANE	9
	STA	1181+14.0	TO	1182+14.0	WHITE - ONE WAY	SB LEFT TURN LANE	6
	STA	1280+14.0	TO	1282+08.0	WHITE - ONE WAY	NB LEFT TURN LANE	7
	STA	1282+13.0	TO	1284+05.0	WHITE - ONE WAY	SB RIGHT TURN LANE	10
	SIDEROADS						
	STA	1280+75.0	RT	PILGRIM ROA	AMBER - ONE WAY	9	
STA	1281+90.0	LT	PILGRIM ROA	AMBER - ONE WAY	9		
						952	
						WHITESIDE COUNTY TOTAL 980	
Rural	CARROLL COUNTY						
	MAINLINE						
	0+00	TO	98+71.5	AMBER	TWO WAY	124	
						CARROLL COUNTY TOTAL 124	
						GRAND TOTAL 1,104	

78200410

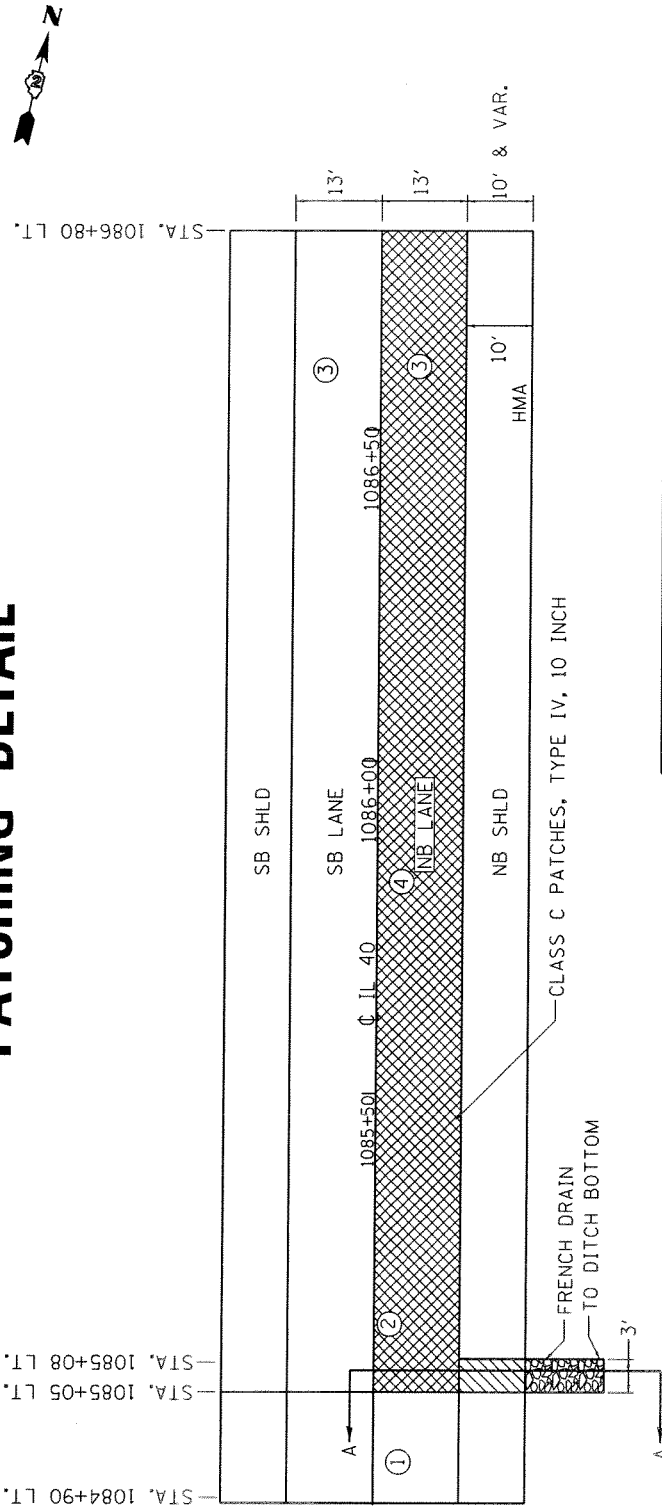
GUARDRAIL MARKERS, TYPE A

<u>LOCATION</u>		<u>REMARKS</u>				<u>EACH</u>	
Rural	WHITESIDE COUNTY						
	STA	1318+00.0	TO	1319+00.0	LT	80' Spacing	2
Contingency						80' Spacing	2
						WHITESIDE COUNTY TOTAL 4	
Rural	CARROLL COUNTY						
	Contingency						80' Spacing
						CARROLL COUNTY TOTAL 2	
						GRAND TOTAL 6	

SCHEDULE OF QUANTITIES

78201000	TERMINAL MARKER - DIRECT APPLIED					
	<u>LOCATION</u>				<u>REMARKS</u>	<u>EACH</u>
Rural	WHITESIDE COUNTY					
	STA	1162+66.5	RT		At the End of End Sections Throughout	1
	STA	1163+16.5	LT			1
	STA	1168+46.5	RT			1
	STA	1168+96.5	LT			1
	STA	1207+77.5	RT			1
	STA	1208+12.5	LT			1
	STA	1212+52.5	RT			1
	STA	1212+87.5	LT			1
	STA	1316+16.5	RT			1
	STA	1316+91.5	LT			1
					WHITESIDE COUNTY TOTAL	10
Rural	CARROLL COUNTY					
	STA	7+94.0	RT			1
	STA	8+21.5	LT			1
	STA	10+61.5	LT			1
	STA	12+00.5	RT			1
					CARROLL COUNTY TOTAL	4
					GRAND TOTAL	14
78300200	RAISED REFLECTIVE PAVEMENT MARKER REMOVAL					
	<u>LOCATION</u>				<u>REMARKS</u>	<u>EACH</u>
Urban	WHITESIDE COUNTY					
	STA	835+05.0	TO	859+65.0		29
					WHITESIDE COUNTY TOTAL	29
Rural	WHITESIDE COUNTY					
	STA	859+65.0	TO	1388+09.5		871
					WHITESIDE COUNTY TOTAL	871
Rural	CARROLL COUNTY					
	STA	0+00	TO	98+71.5		128
					CARROLL COUNTY TOTAL	128
					GRAND TOTAL	1028
Z0001002	GUARDRAIL AGGREGATE EROSION CONTROL					
	<u>LOCATION</u>				<u>REMARKS</u>	<u>TON</u>
Rural	WHITESIDE COUNTY					
	STA	1318+00.0	TO	1318+37.5	LT	Refer to DS 35.2
	STA	1318+00.0	TO	1318+37.5	LT	Refer to DS 35.2
						5.7
						5.7
					WHITESIDE COUNTY TOTAL	11.4
					GRAND TOTAL	11
Z0020800	EROSION CONTROL CURB					
	<u>LOCATION</u>				<u>REMARKS</u>	<u>FOOT</u>
Rural	WHITESIDE COUNTY					
	STA	1318+00.0	TO	1318+37.5	LT	Refer to DS 35.2
	STA	1318+00.0	TO	1318+37.5	RT	Refer to DS 35.2
						37.5
						37.5
					WHITESIDE COUNTY TOTAL	75.0
					GRAND TOTAL	75

PATCHING DETAIL



NOTE:

ALL WORK SHALL BE DONE DURING DAYLIGHT HOURS. IF THE CONTRACTOR CANNOT COMPLETE THE PATCH IN ONE DAY, TRANSVERSE CONSTRUCTION JOINTS SHALL BE CONSTRUCTED USING DOWEL BARS ACCORDING TO STANDARD 442101

LEGEND

- = FRENCH DRAIN
- = PAVEMENT REMOVAL, CLASS C PATCHES, TYPE IV, 10 INCH, AGGREGATE SUBGRADE IMPROVEMENT, EARTH EXCAVATION
- ALL SAWCUTS REQUIRED TO REMOVE THE PAVEMENT PATCH/SHOULDER AREA SHALL BE INCLUDED IN THE COST OF CLASS C PATCHES, TYPE IV, 10 INCH
- = PAVEMENT REMOVAL, AGGREGATE SUBGRADE IMPROVEMENT, EARTH EXCAVATION

CORING DATA:

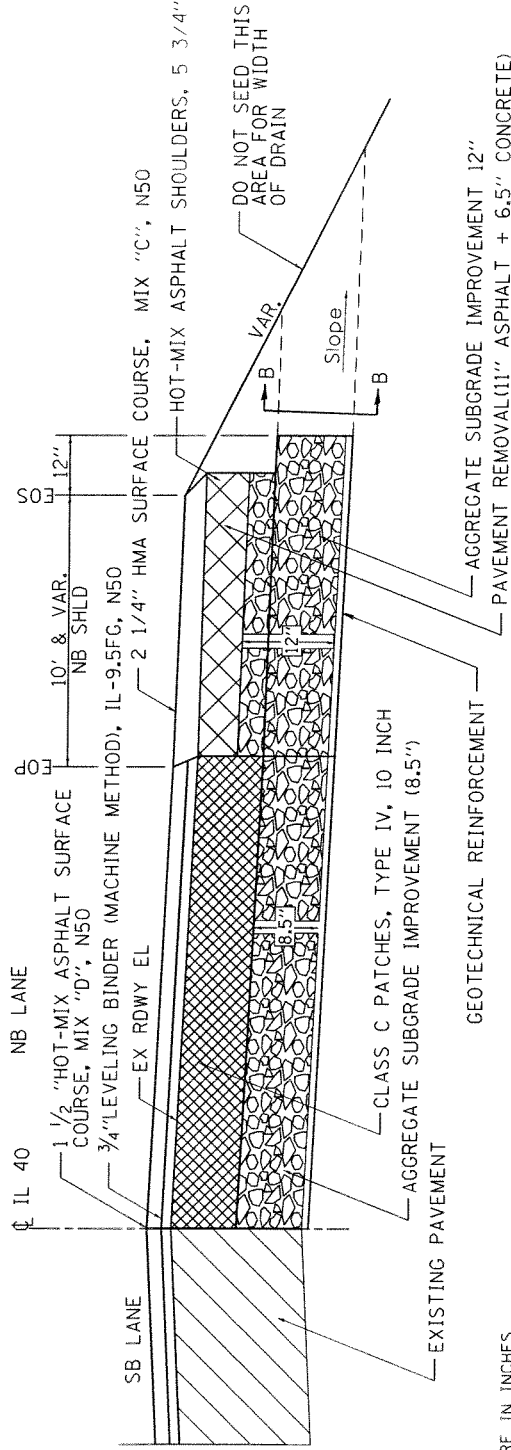
- ① STA. 1084+93 7' RT O/S FROM CL
11" ASPHALT / 6.5" CONCRETE
- ② STA. 1085+19 3' RT O/S FROM CL
6" ASPHALT (FULL CORES NOT RECOVERABLE)
- ④ STA. 1085+87 3 5.5' RT O/S FROM CL
3.75" ASPHALT
(FULL CORES NOT RECOVERABLE)
- ③ STA. 1086+69 11' RT O/S FROM CL
11" ASPHALT / 8.5" CONCRETE

AVERAGE CORE THICKNESS APPROXIMATELY 18.5"

FILE NAME =		USER NAME = ABUHANNAW		STATE OF ILLINOIS		COUNTY		WHITESIDE / CARROLL	
c:\pwr\work\pvidot\abuhannaw\06308313\0222410\sh-t-detail.dgn		PLOT DATE = Tue Jan 28 13:47:45 2014		DEPARTMENT OF TRANSPORTATION		F.A.P. RTE.		TOTAL SHEETS	
				PATCHING DETAIL		646		85	
				SECTION		(7,8,9)RS-2		SHEET NO.	
				FED. ROAD DIST. NO.		ILLINOIS FED. AID PROJECT		CONTRACT NO. 64E85	
								49	

PATCHING DETAIL

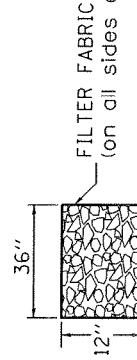
SECTION A-A



ALL DIMENSIONS ARE IN INCHES
UNLESS OTHERWISE NOTED.

NOTES:

The rock outlets shall be constructed using CA7 and will be paid for at the contract unit price per CUBIC YARD for FRENCH DRAINS. The thickness shall be the same as the adjacent sub-base material as noted on the plans and shall include the cost of the filter fabric. The Rock outlets will be measured in CU YD, the width being 36 by the length shown above. The filter fabric to be used shall conform to the filter fabric used for FRENCH DRAINS.



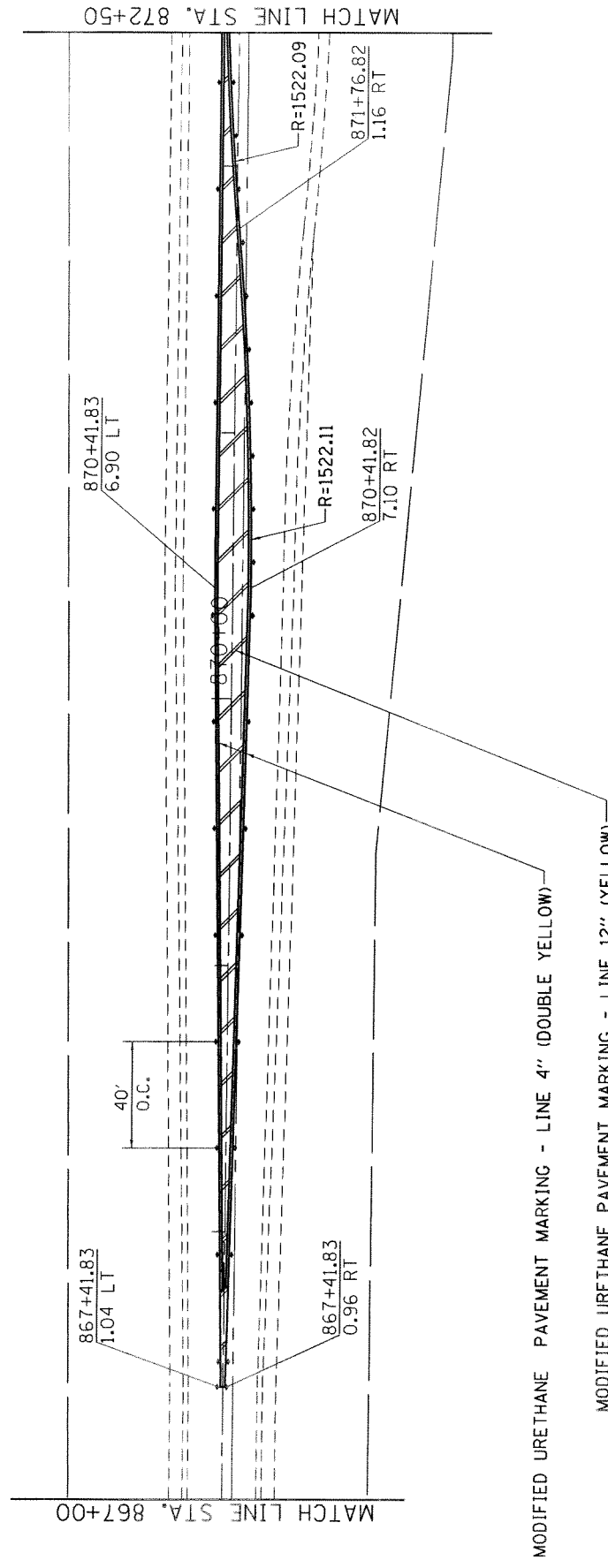
NOTE: Slope same as shoulder with 2% min.

FILE NAME =	USER NAME = ABUJANNAW	STATE OF ILLINOIS		PATCHING DETAIL		• WHITESIDE / CARROLL	
ct:\p\work\p\id\abuhannaw\06308313\02022410-sht-details.dgn		DEPARTMENT OF TRANSPORTATION				TOTAL SHEET NO.	
						85	
						CONTRACT NO. 64E85	
						FED. ROAD DIST. NO. ILLINOIS FED. AID PROJECT	
						COUNTY	
						•	
						SECTION	
						(7,8,9)RS-2	
						SHEET NO.	
						50	
						PLOT DATE = Tue Jan 28 13:47:46 2014	

PAVEMENT MARKING



- ◆ TWO-WAY AMBER
- ◀ ONE-WAY AMBER
- ◁ ONE-WAY CRYSTAL

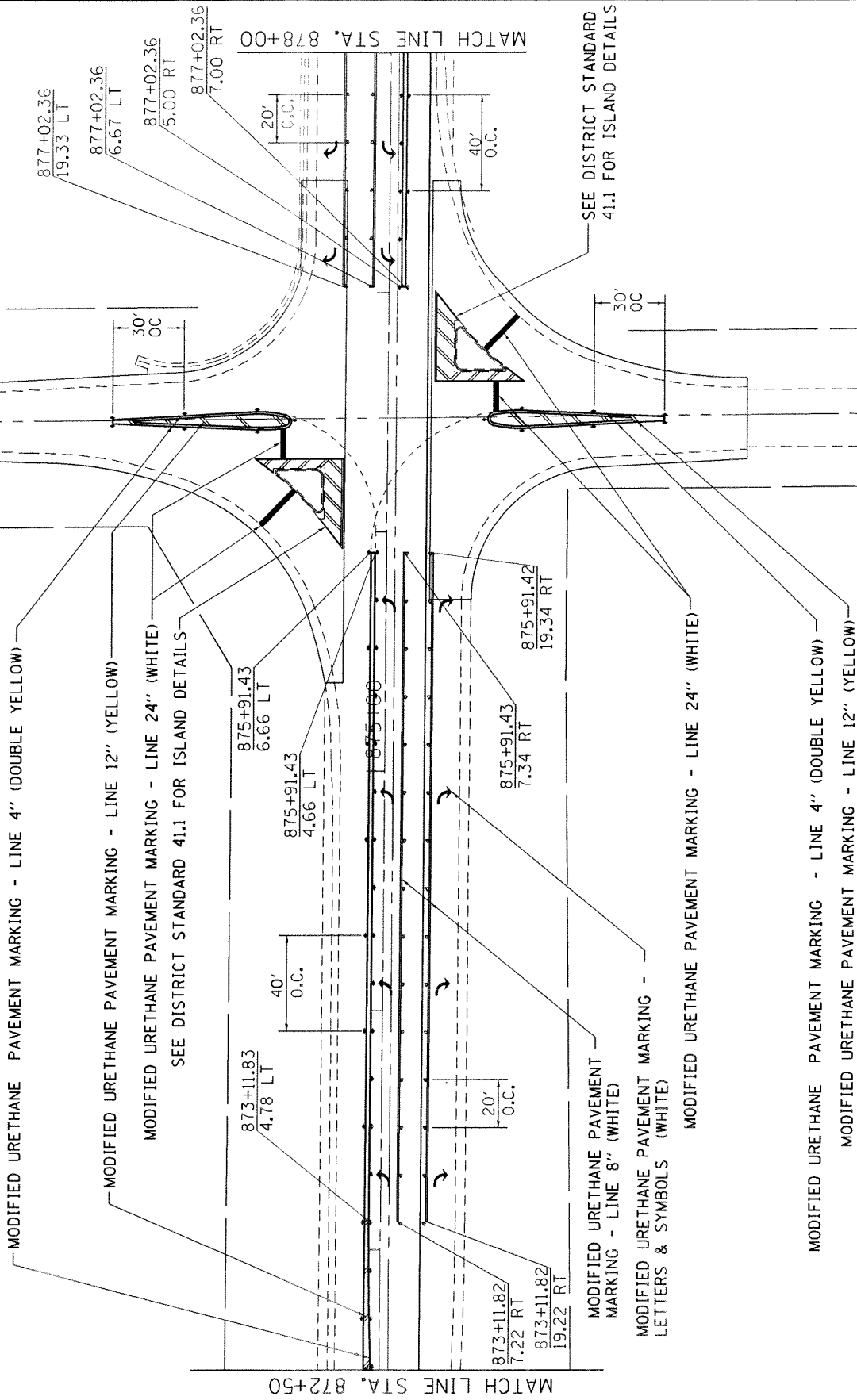


FILE NAME = c:\p\...abuhannaw\68308313\0202410-sht-pmk.dgn		STATE OF ILLINOIS		CARROLL AND WHITESIDE	
USER NAME = ABUHANNAW		DEPARTMENT OF TRANSPORTATION		COUNTY	
PLOT DATE = Tue Jan 28 14:01:35 2014		PAVEMENT MARKING		TOTAL SHEET NO.	
		SECTION		85	
		F.A.P RTE. 646 (IL40)		51	
		FED. ROAD DIST. NO.		CONTRACT NO. 64F85	
		ILLINOIS		FED. AID PROJECT	

PAVEMENT MARKING



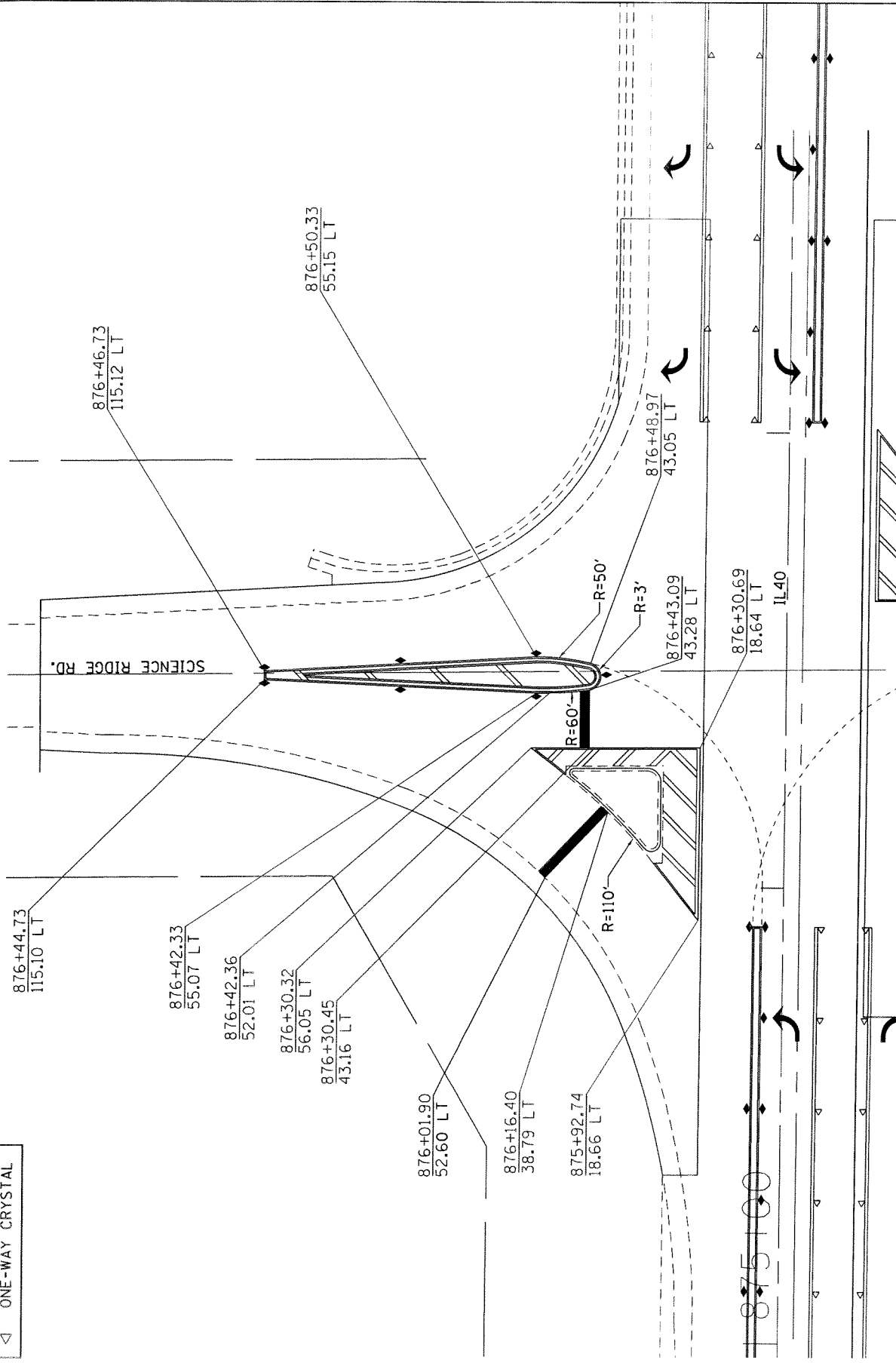
- ◆ TWO-WAY AMBER
- ◀ ONE-WAY AMBER
- ◁ ONE-WAY CRYSTAL



FILE NAME = c:\pw_work\p\m\dot\abuhanna\0202410-sht-pmk.dgn		F.A.P. R.T.E. 646 (IL40)		SECTION (7,8,9RS2)		COUNTY *		TOTAL SHEETS 85 SHEETS NO. 52	
USER NAME = ABUHANNAW		PAVEMENT MARKING		STATE OF ILLINOIS DEPARTMENT OF TRANSPORTATION		CARROLL AND WHITESIDE		CONTRACT NO. 64F85	
PLOT DATE = Tue Jan 28 14:01:38 2014		MODIFIED URETHANE PAVEMENT MARKING - LINE 4" (DOUBLE YELLOW)		MODIFIED URETHANE PAVEMENT MARKING - LINE 12" (YELLOW)		MODIFIED URETHANE PAVEMENT MARKING - LINE 24" (WHITE)		SEE DISTRICT STANDARD 41.1 FOR ISLAND DETAILS	
MODIFIED URETHANE PAVEMENT MARKING - LINE 8" (WHITE)		MODIFIED URETHANE PAVEMENT MARKING - LINE 4" (DOUBLE YELLOW)		MODIFIED URETHANE PAVEMENT MARKING - LINE 12" (YELLOW)		MODIFIED URETHANE PAVEMENT MARKING - LINE 24" (WHITE)		SEE DISTRICT STANDARD 41.1 FOR ISLAND DETAILS	

PAVEMENT MARKING

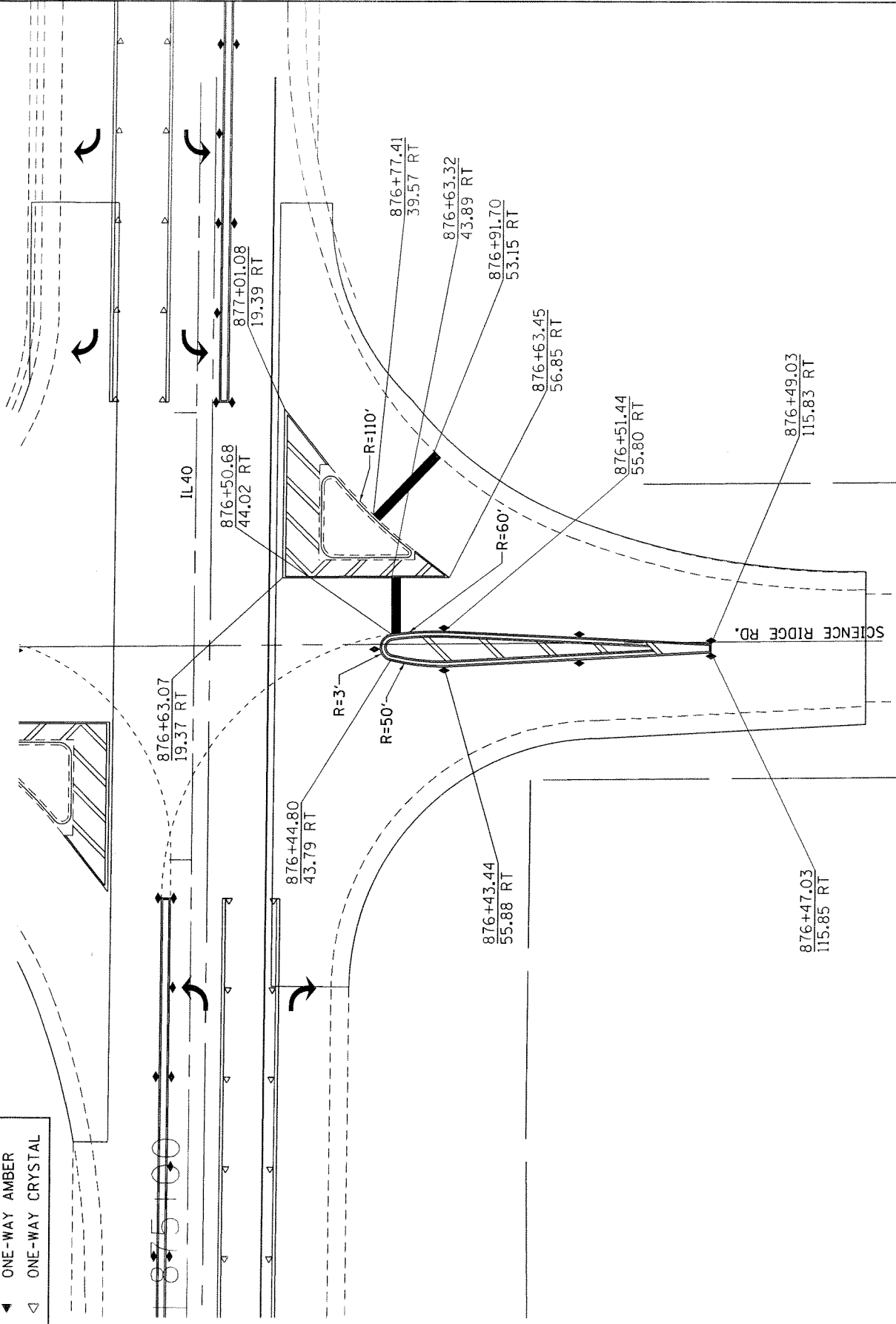
- ◆ TWO-WAY AMBER
- ◀ ONE-WAY AMBER
- ◁ ONE-WAY CRYSTAL



FILE NAME = c:\p-work\pwidot\abuhannaw\0308313\0202410-sht-pmk.dgn USER NAME = ABUHANNAW PLOT DATE = Tue Jan 28 14:01:40 2014		STATE OF ILLINOIS DEPARTMENT OF TRANSPORTATION		PAVEMENT MARKING		• CARROLL AND WHITESIDE COUNTY SHEET NO. 85 53 CONTRACT NO. 64F85	
F.A.P. RTE.	646	SECTION	(7,8,9)RS2	TOTAL SHEETS	85	COUNTY	•
FED. ROAD DIST. NO.	(IL40)						

PAVEMENT MARKING

- ◆ TWO-WAY AMBER
- ◀ ONE-WAY AMBER
- ◁ ONE-WAY CRYSTAL



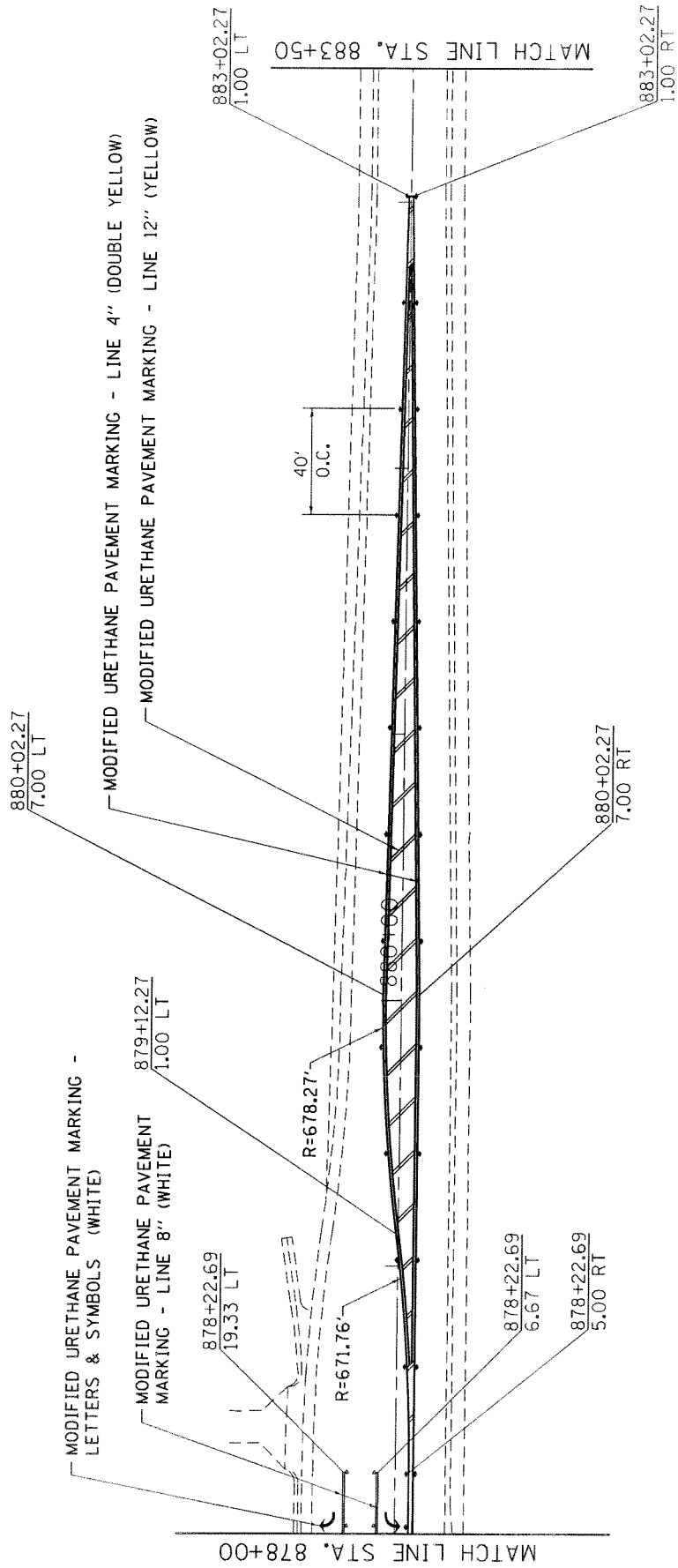
FILE NAME = c:\p\work\p\ridot\abuhanna\0308313\0202410-sht-pmk.dgn	STATE OF ILLINOIS DEPARTMENT OF TRANSPORTATION		PAVEMENT MARKING		F.A.P. RTE. 646 (IL 40)		SECTION 7.8.9RS2	COUNTY *	TOTAL SHEETS 85	SHEET NO. 54
USER NAME = ABUHANNAW	DEPARTMENT OF TRANSPORTATION		PAVEMENT MARKING		FED. ROAD DIST. NO.		ILLINOIS FED. AID PROJECT		CONTRACT NO. 64F85	
PLOT DATE = Tue Jan 28 14:01:43 2014	DEPARTMENT OF TRANSPORTATION		PAVEMENT MARKING		FED. ROAD DIST. NO.		ILLINOIS FED. AID PROJECT		CONTRACT NO. 64F85	

* CARROLL AND WHITESIDE

PAVEMENT MARKING



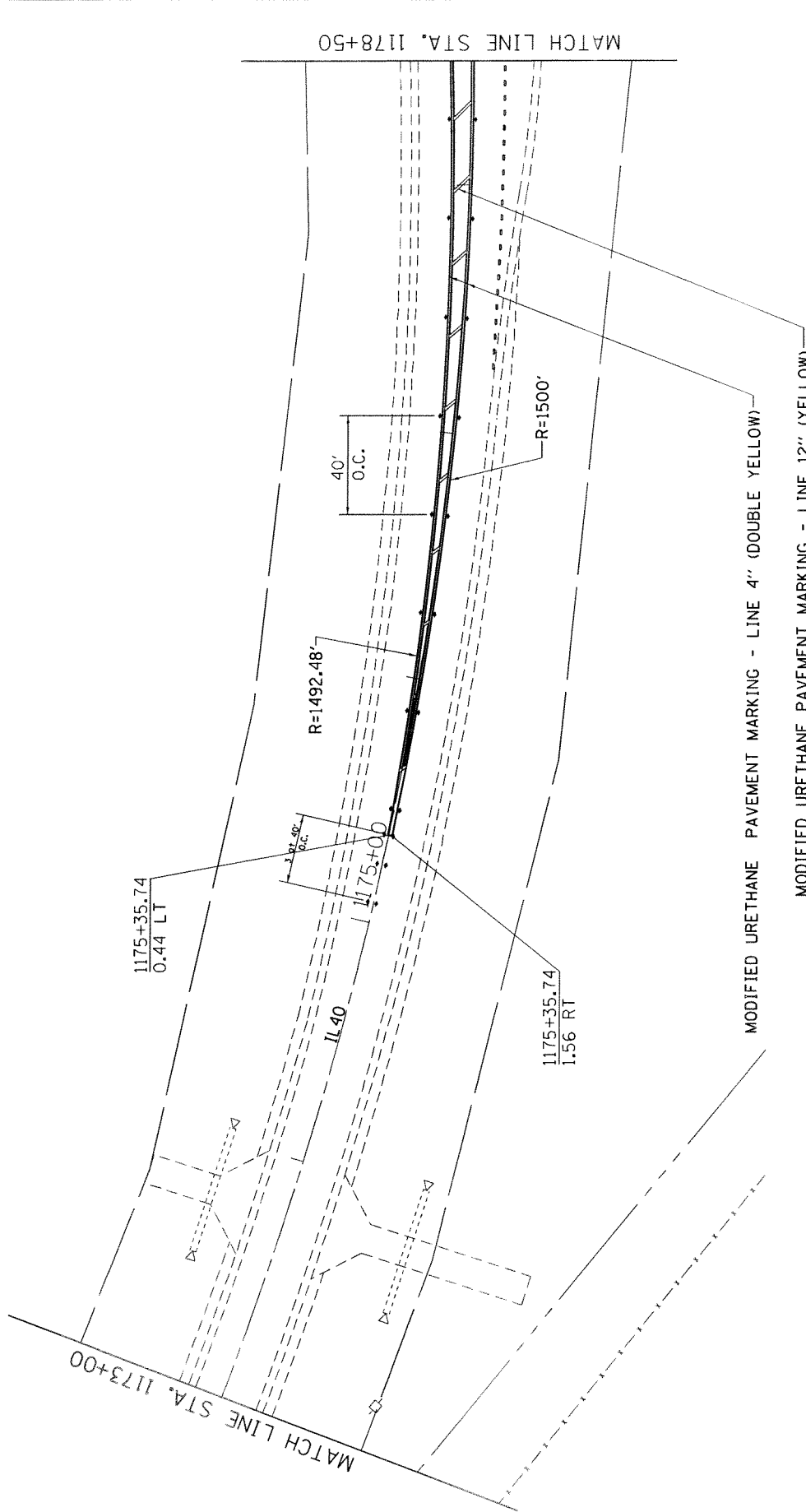
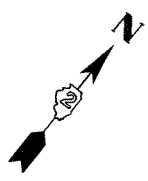
- ◆ TWO-WAY AMBER
- ◀ ONE-WAY AMBER
- ◁ ONE-WAY CRYSTAL



FILE NAME = c:\pk_work\pwidot\abuhanna\0308313\0202410-sht-pmk.dgn		STATE OF ILLINOIS DEPARTMENT OF TRANSPORTATION		PAVEMENT MARKING		* CARROLL AND WHITESIDE	
USER NAME = ABUHANNAW	PLOT DATE = Tue Jan 28 14:01:47 2014	F.A.P. RTE. 646 (IL 40)	SECTION (7,8,9)RS2	COUNTY *	TOTAL SHEETS 85	SHEETS NO. 55	CONTRACT NO. 64F85
		FED. ROAD DIST. NO.	ILLINOIS	FED. AID PROJECT			

PAVEMENT MARKING

- ◆ TWO-WAY AMBER
- ◀ ONE-WAY AMBER
- ◁ ONE-WAY CRYSTAL

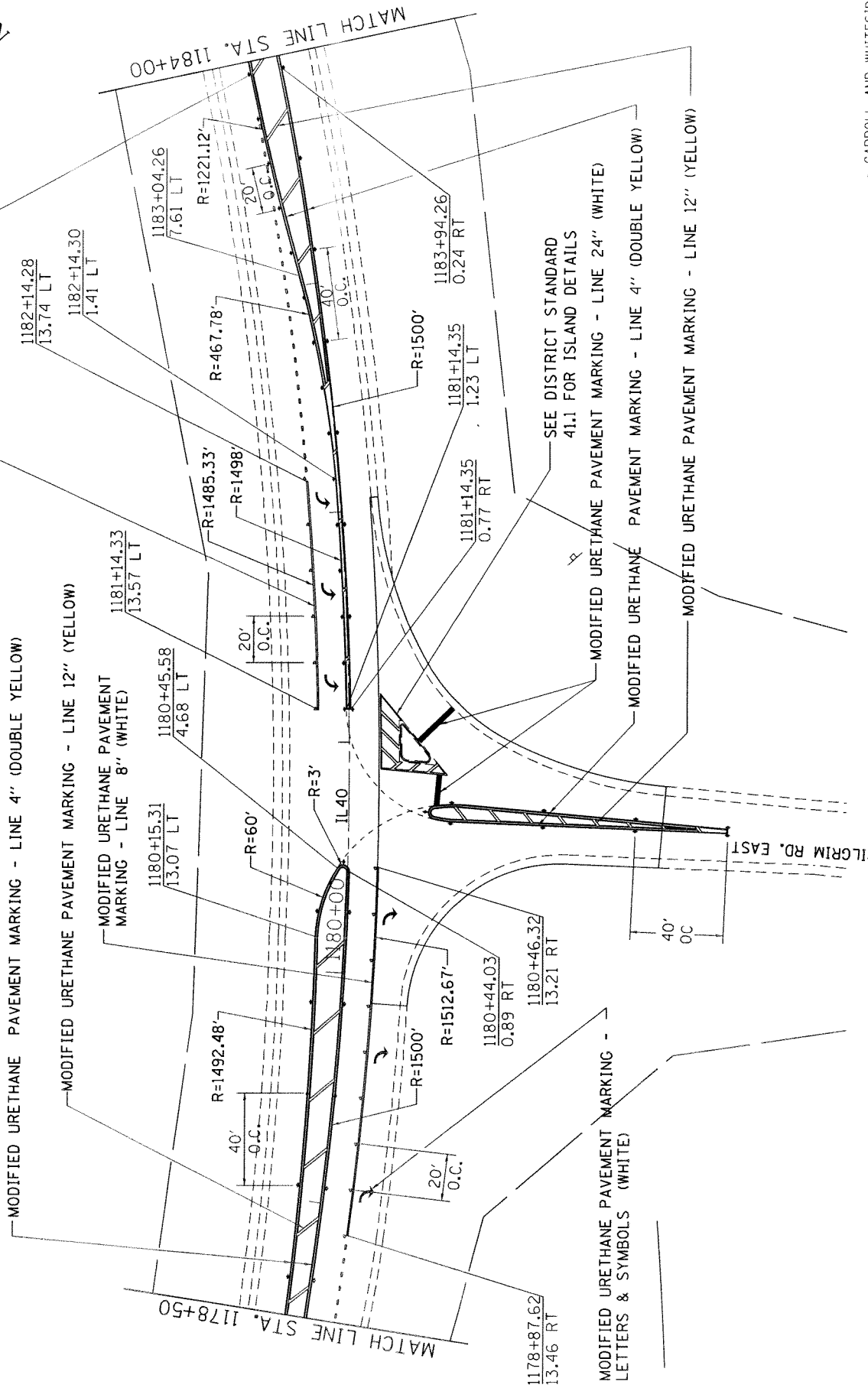


FILE NAME = c:\pw_work\p\dot\abuhanna\0308313\0202410-shr-pmk.dgn		STATE OF ILLINOIS DEPARTMENT OF TRANSPORTATION		PAVEMENT MARKING		F.A.P. R.T.E. 646 (1L40)		SECTION (7,8,9)RSZ		COUNTY •		TOTAL SHEET SHEETS 85 56	
USER NAME = ABUHANNAW		MODIFIED URETHANE PAVEMENT MARKING - LINE 4'' (DOUBLE YELLOW)		MODIFIED URETHANE PAVEMENT MARKING - LINE 12'' (YELLOW)		CONTRACT NO. 64F85		ILLINOIS		FED. ROAD DIST. NO.		ILLINOIS FED. AID PROJECT	
PLOT DATE = Tue Jan 28 14:01:50 2014													

* CARROLL AND WHITESIDE

PAVEMENT MARKING

- ◆ TWO-WAY AMBER
- ◀ ONE-WAY AMBER
- ◁ ONE-WAY CRYSTAL

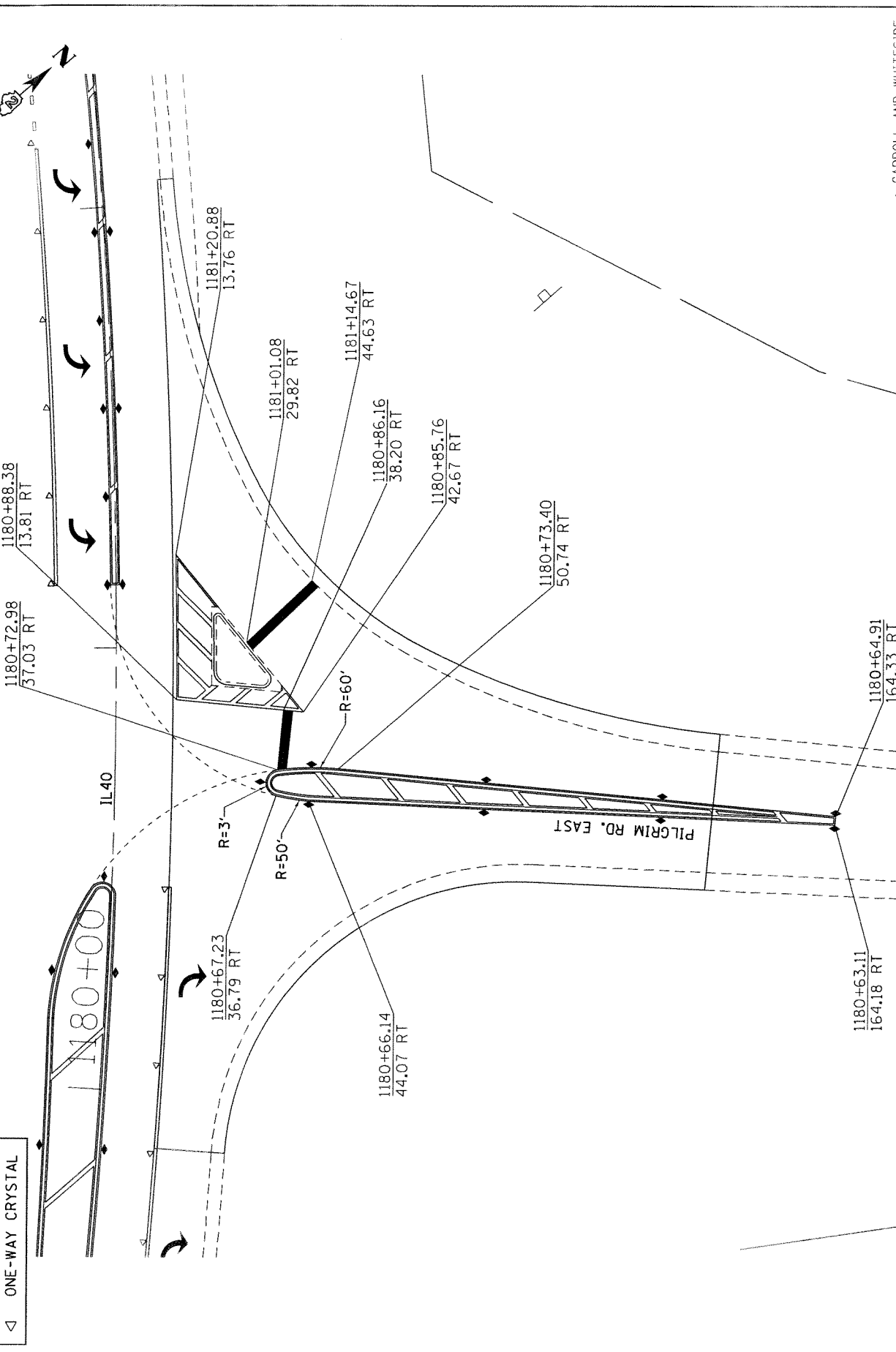


SEE DISTRICT STANDARD 41.1 FOR ISLAND DETAILS

FILE NAME = c:\pw-work\pwidot\abuhanna\d0308313\202410-shr-pmk.dgn		STATE OF ILLINOIS		F.A.P. RTE.		SECTION		COUNTY		TOTAL SHEET	
USER NAME = ABUHANNAW		DEPARTMENT OF TRANSPORTATION		646		(7,8,9RS2		*		85	
PLOT DATE = Tue Jan 28 14:01:52 2014		PAVEMENT MARKING		(1L40)		ILLINOIS		FED. AID PROJECT		CONTRACT NO. 64F85	
								CARROLL AND WHITESIDE			

PAVEMENT MARKING

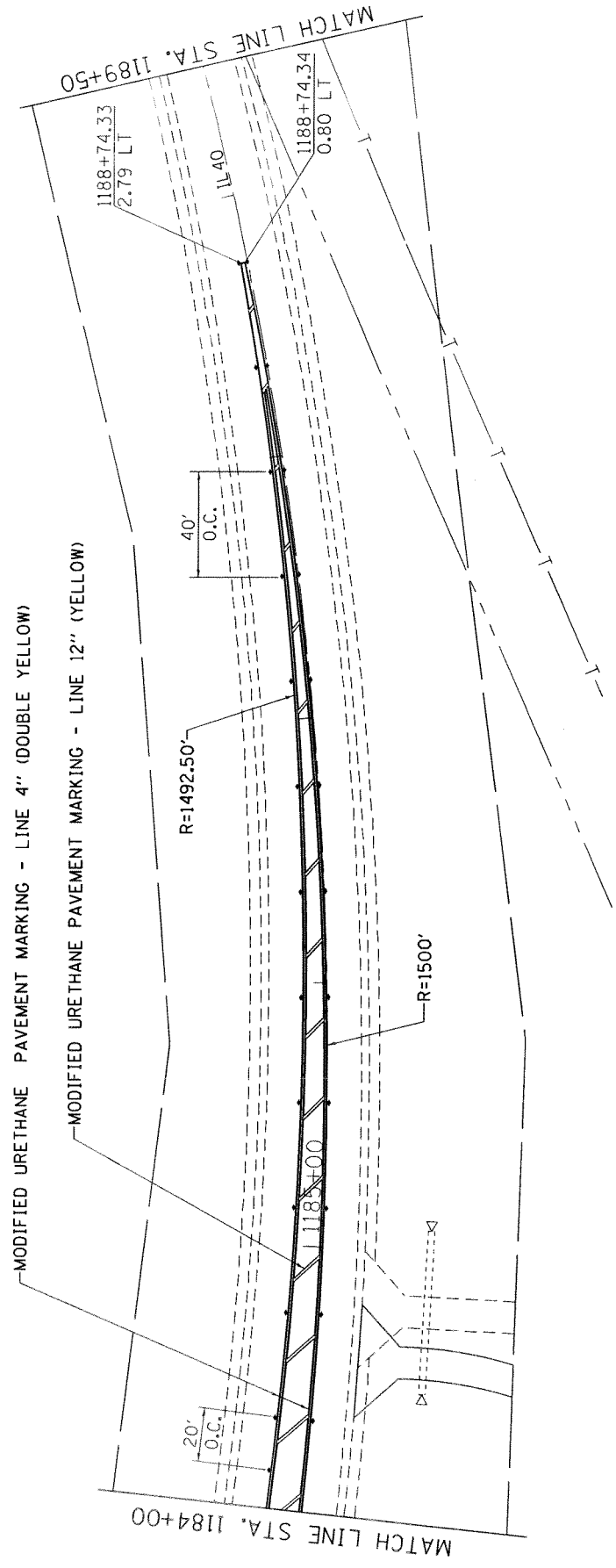
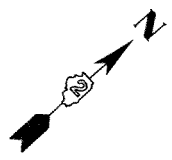
- ◆ TWO-WAY AMBER
- ◀ ONE-WAY AMBER
- ◁ ONE-WAY CRYSTAL



FILE NAME =		c:\pwork\work\pmdot\abuhammad\0308313\202410-sht-pmk.dgn	
USER NAME =		ABUHAMMAD	
PLOT DATE =		Tue Jan 28 14:01:54 2014	
STATE OF ILLINOIS DEPARTMENT OF TRANSPORTATION		PAVEMENT MARKING	
F.A.P. RTE.	SECTION	COUNTY	TOTAL SHEET NO.
646 (IL 40)	(7,8,9)RS2	•	85
FED. ROAD DIST. NO.		CONTRACT NO. 64F85	
ILLINOIS		FED. AID PROJECT	
• CARROLL AND WHITESIDE			

PAVEMENT MARKING

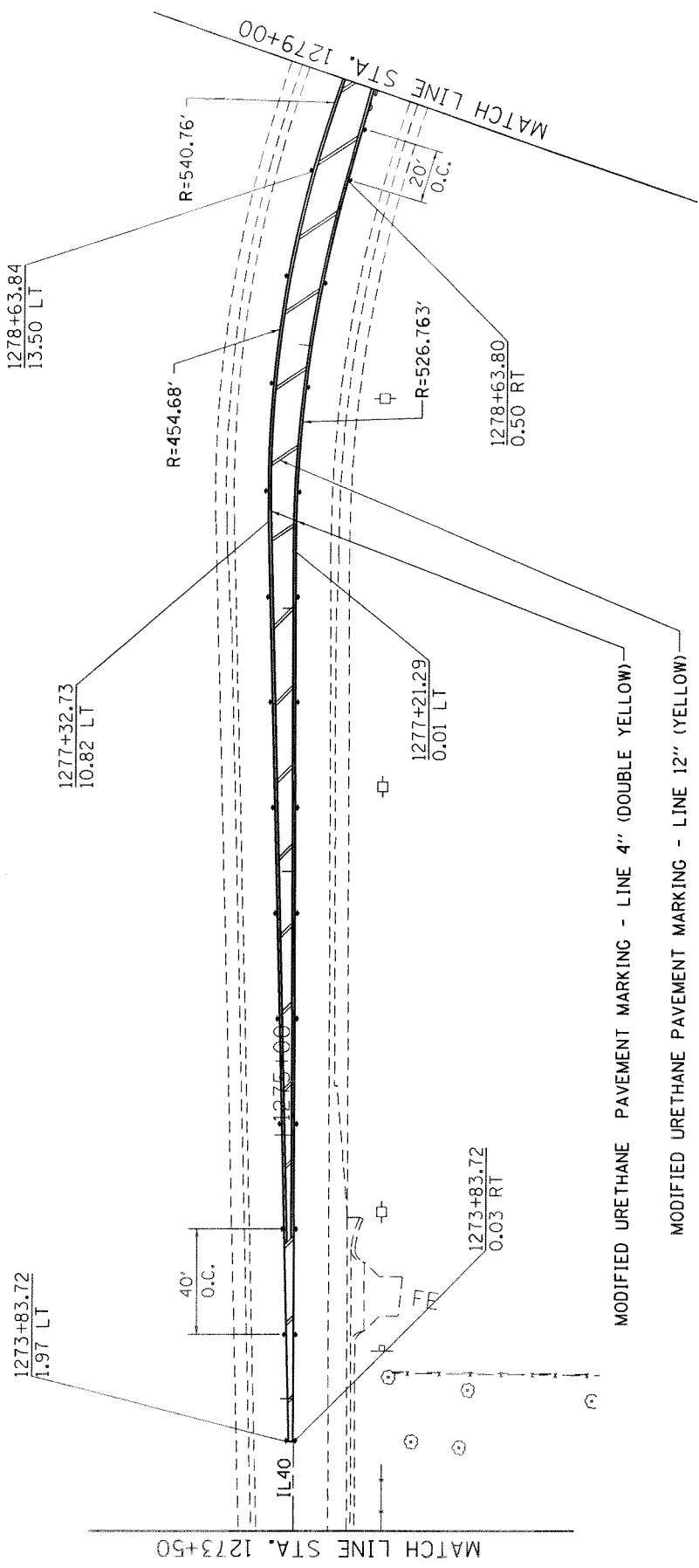
- ◆ TWO-WAY AMBER
- ◀ ONE-WAY AMBER
- ◁ ONE-WAY CRYSTAL



FILE NAME = c:\pwwork\pwwork\pwwork\abuhammad\0308313\0202410-sht-pmk.dgn USER NAME = ABUHANNAW PLOT DATE = Tue Jan 28 14:01:57 2014		STATE OF ILLINOIS DEPARTMENT OF TRANSPORTATION		PAVEMENT MARKING		* CARROLL AND WHITESIDE	
F.A.P. RTE.	SECTION	COUNTY	TOTAL SHEETS	SHEET NO.			
646 (IL40)	(7,8,9)RSZ	*	85	59			
FED. ROAD DIST. NO.			ILLINOIS FED. AID PROJECT		CONTRACT NO. 64F85		

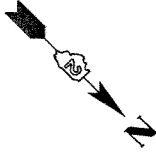
PAVEMENT MARKING

- ◆ TWO-WAY AMBER
- ◀ ONE-WAY AMBER
- ◁ ONE-WAY CRYSTAL

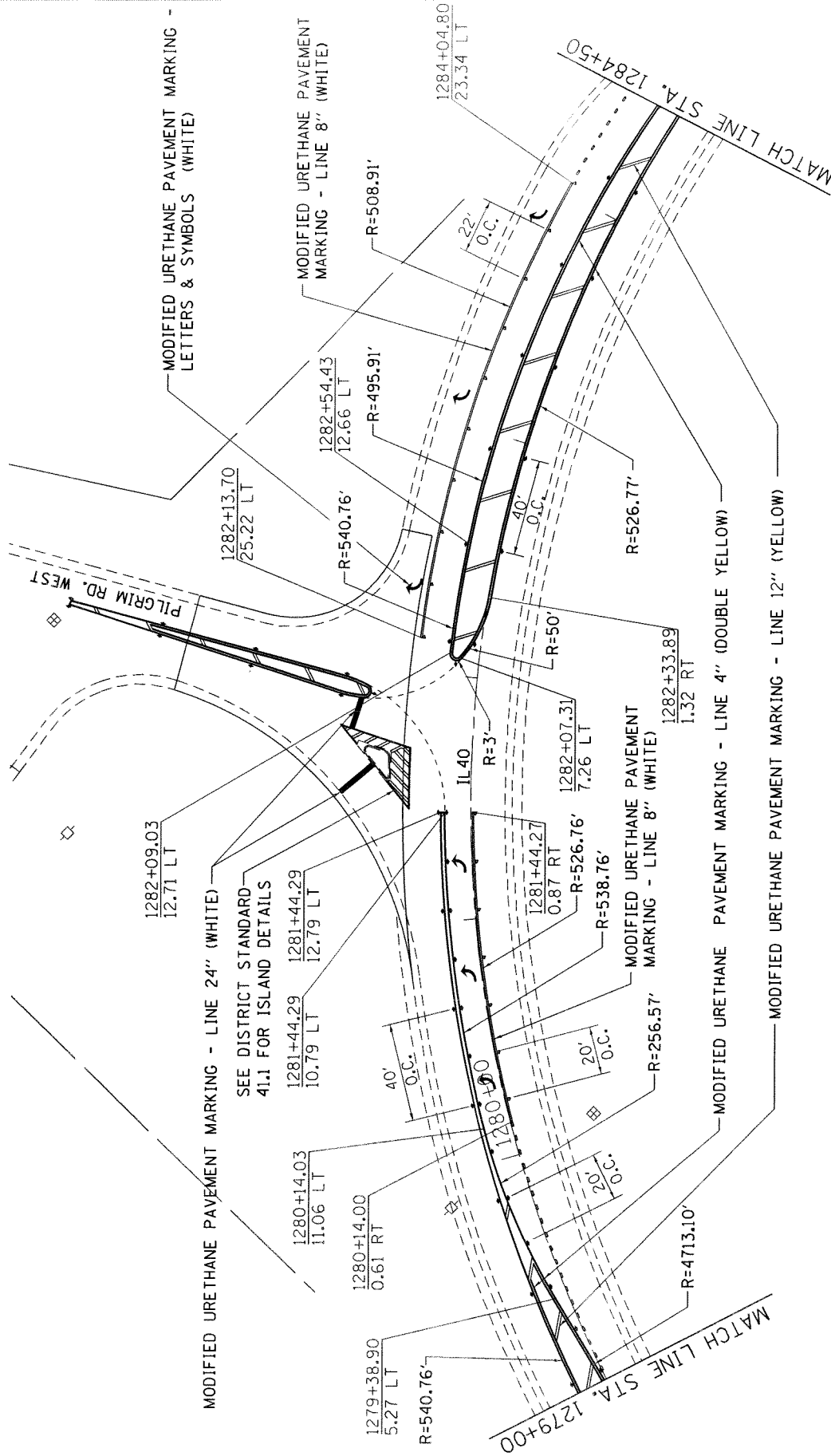


FILE NAME = c:\pwworkspace\pwwork\abuhanna\d0306313\0202410-shr-pmk.dgn		STATE OF ILLINOIS DEPARTMENT OF TRANSPORTATION		PAVEMENT MARKING		* CARROLL AND WHITESIDE	
USER NAME = ABUHANNAW		ILLINOIS		SECTION		COUNTY	
PLOT DATE = Tue Jan 28 14:01:59 2014		FED. ROAD DIST. NO.		(7,8,9)RSZ		TOTAL SHEET	
		ILLINOIS		646		SHEETS	
		ILLINOIS		(1L40)		NO.	
		ILLINOIS		646		85	
		ILLINOIS		646		60	
		ILLINOIS		646		CONTRACT NO. 64F85	

PAVEMENT MARKING



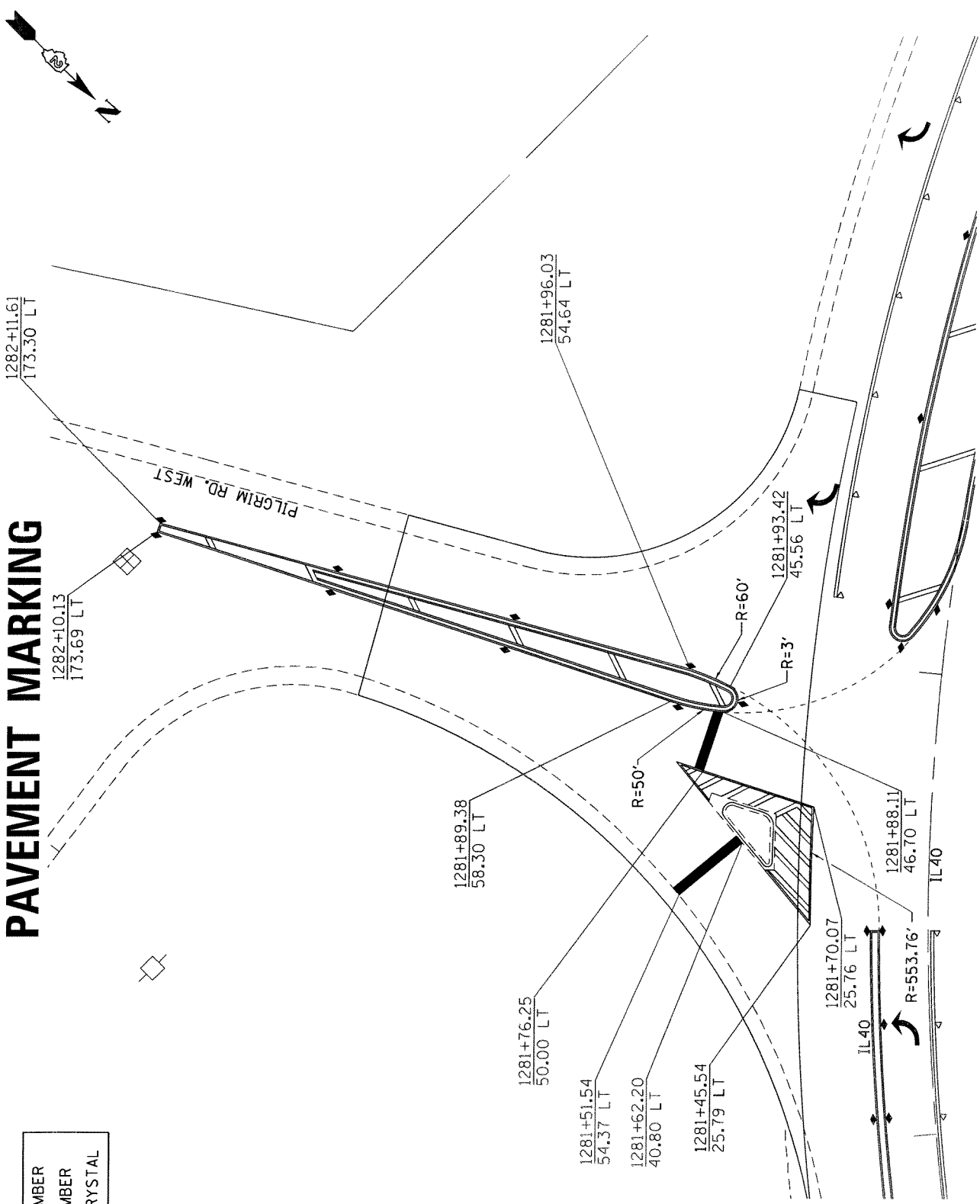
◆	TWO-WAY AMBER
◀	ONE-WAY AMBER
▷	ONE-WAY CRYSTAL



FILE NAME = c:\pwwork\pwwork\abuhammad\0308313\202410-sht-pmk.dgn		STATE OF ILLINOIS		CARROLL AND WHITESIDE	
USER NAME = ABUHANNAW		DEPARTMENT OF TRANSPORTATION		COUNTY	
PLOT DATE = Tue Jan 28 14:02:01 2014		PAVEMENT MARKING		TOTAL SHEET	
				SHEETS NO.	
				85	
				61	
				CONTRACT NO. 64F85	
				FED. ROAD DIST. NO. ILLINOIS	
				FED. AID PROJECT	

PAVEMENT MARKING

- ◆ TWO-WAY AMBER
- ◀ ONE-WAY AMBER
- ◁ ONE-WAY CRYSTAL



F.A.P. RTE.	SECTION	COUNTY	TOTAL SHEET NO.
646	(7,8,9)RS2	*	85
(IL40)			62
FED. ROAD DIST. NO.		ILLINOIS	FED. AID PROJECT
			CONTRACT NO. 64F85

* CARROLL AND WHITESIDE

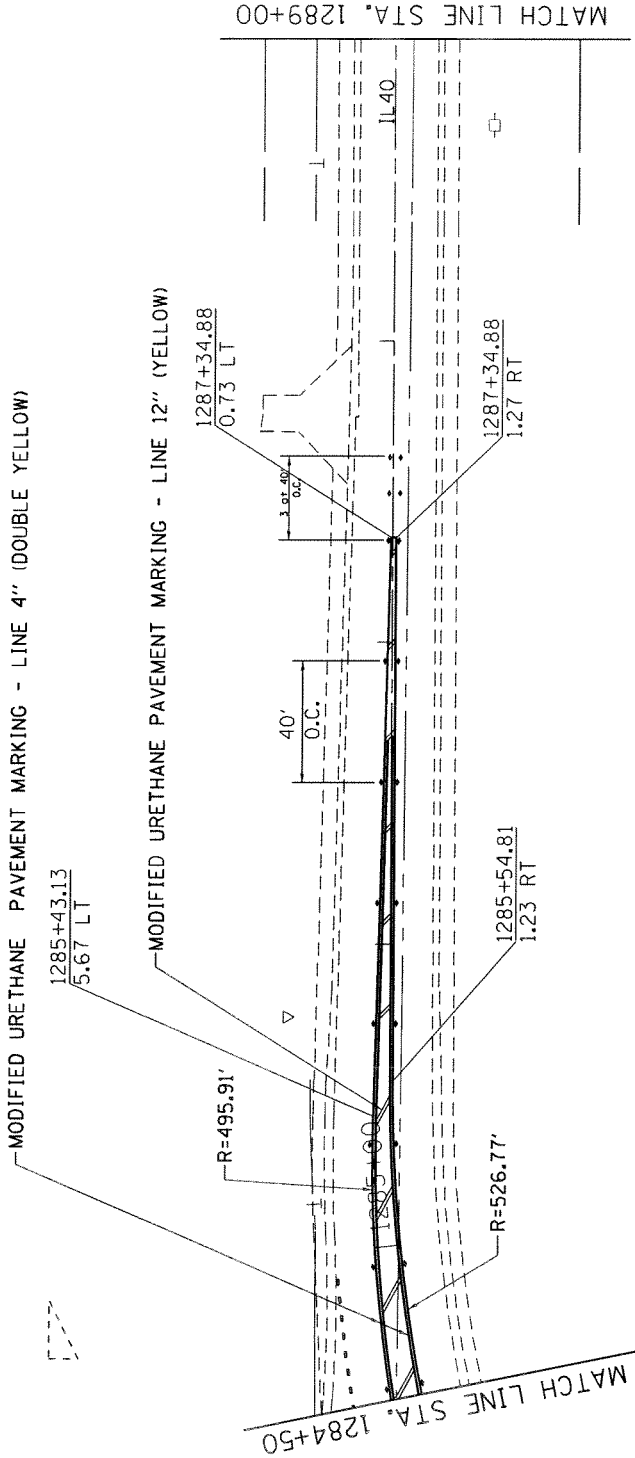
STATE OF ILLINOIS
DEPARTMENT OF TRANSPORTATION

PAVEMENT MARKING

FILE NAME = c:\pwwork\pwwork\abuhanna\0306313\0202410-sht-pmk.dgn
 USER NAME = ABUHANNAW
 PLOT DATE = Tue Jan 28 14:02:04 2014

PAVEMENT MARKING

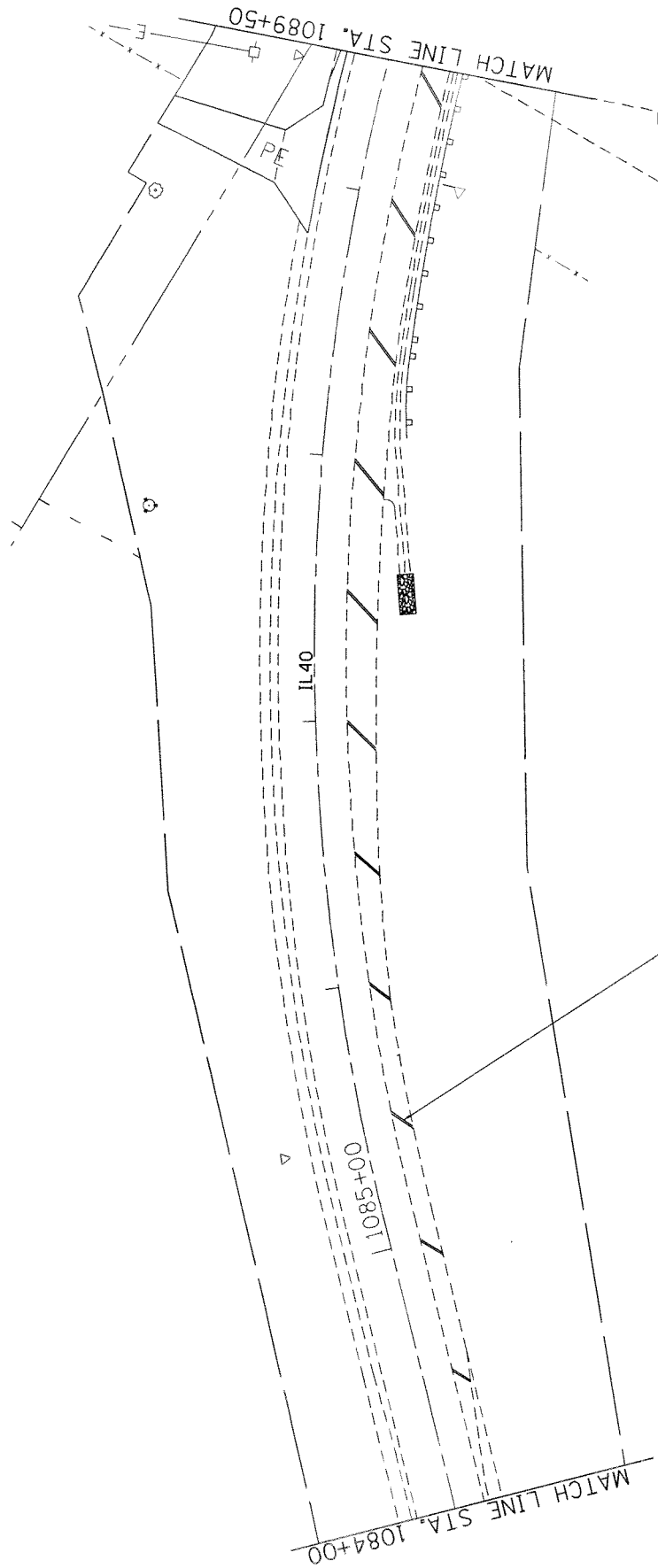
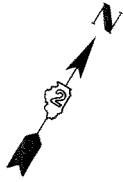
- ◆ TWO-WAY AMBER
- ◀ ONE-WAY AMBER
- ◁ ONE-WAY CRYSTAL



FILE NAME = c:\p_m_work\p_m\dot\abuhanna\d0308313\02024\0-sht-pmk.dgn		STATE OF ILLINOIS		* CARROLL AND WHITESIDE	
USER NAME = ABUHANNAW		DEPARTMENT OF TRANSPORTATION		COUNTY	
PLOT DATE = Tue Jan 28 14:02:06 2014		PAVEMENT MARKING		SECTION	
				(7,8,9)RSZ	
				F.A.P. RTE.	
				646	
				(IL-40)	
				TOTAL SHEETS	
				85	
				SHEETS	
				63	
				CONTRACT NO. 64F85	
				ILLINOIS	
				FED. ROAD DIST. NO.	
				FED. AID PROJECT	

PAVEMENT MARKING

- ◆ TWO-WAY AMBER
- ◀ ONE-WAY AMBER
- ◁ ONE-WAY CRYSTAL



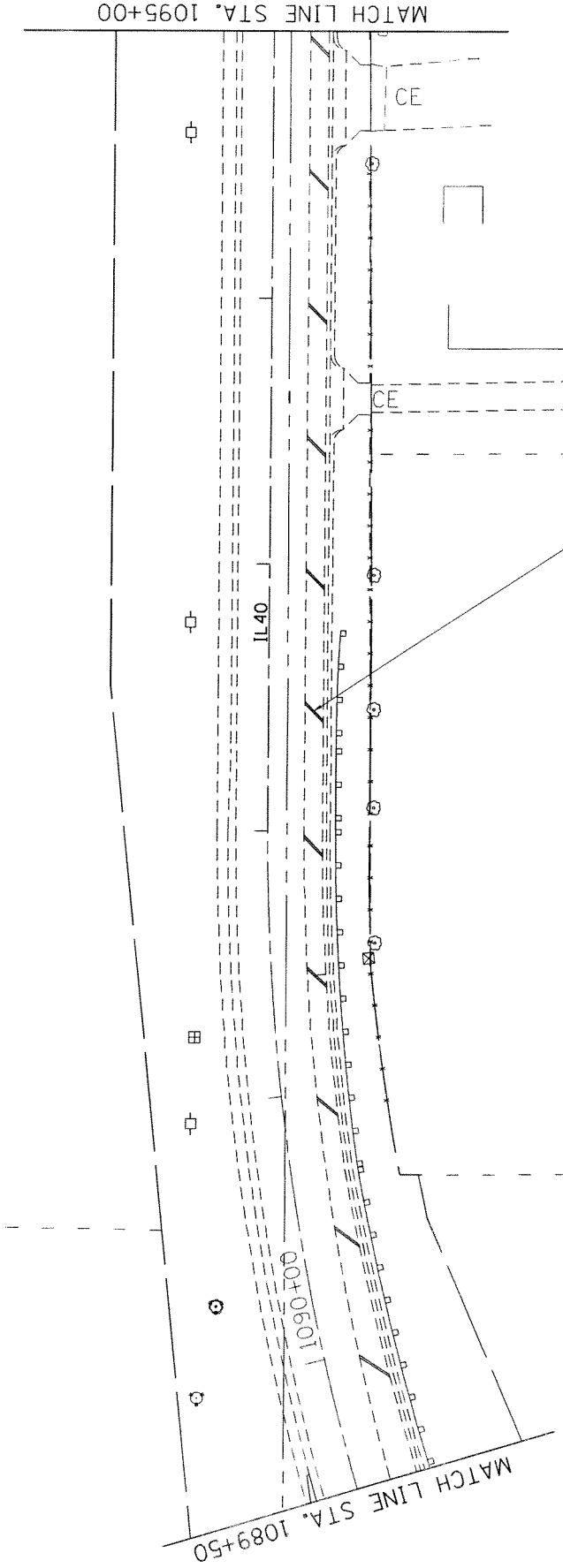
MODIFIED URETHANE PAVEMENT MARKING - LINE 12" (WHITE)

FILE NAME = c:\pwork\pwork\abuhanna\0306313\0202410-shr-pmk.dgn USER NAME = ABUHANNAM PLOT DATE = Tue Jan 28 14:02:09 2014		STATE OF ILLINOIS DEPARTMENT OF TRANSPORTATION		PAVEMENT MARKING		* CARROLL AND WHITESIDE COUNTY	
F.A.P. RTE.	SECTION	TOTAL SHEETS	SHEET NO.	F.A.P. RTE.	SECTION	TOTAL SHEETS	SHEET NO.
646 (IL-40)	(7,8,9)RS2	85	64	646 (IL-40)	(7,8,9)RS2	85	64
FED. ROAD DIST. NO.		ILLINOIS		FED. AID PROJECT		CONTRACT NO. 64F85	

PAVEMENT MARKING



- ◆ TWO-WAY AMBER
- ◀ ONE-WAY AMBER
- ◁ ONE-WAY CRYSTAL



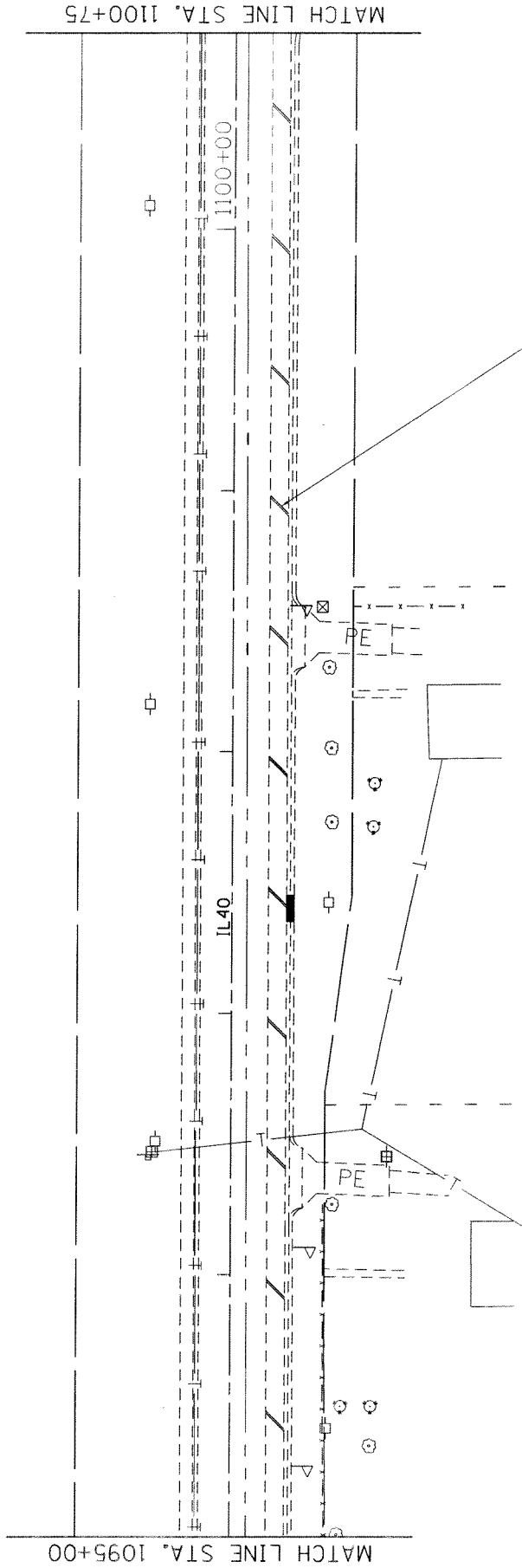
MODIFIED URETHANE PAVEMENT MARKING - LINE 12" (WHITE)

FILE NAME = c:\pw-work\pwr\dot\abuhanna\0308313\0202410-sht-pmk.dgn		STATE OF ILLINOIS DEPARTMENT OF TRANSPORTATION		PAVEMENT MARKING		* CARROLL AND WHITESIDE	
USER NAME = ABUHANNW		F.A.P. RTE. 646 (IL40)		SECTION (7,8,9)RS2		COUNTY	
PLOT DATE = Tue Jan 28 14:02:11 2014		FED. ROAD DIST. NO.		ILLINOIS FED. AID PROJECT		TOTAL SHEET SHEETS NO. 85 65	
						CONTRACT NO. 64F85	

PAVEMENT MARKING



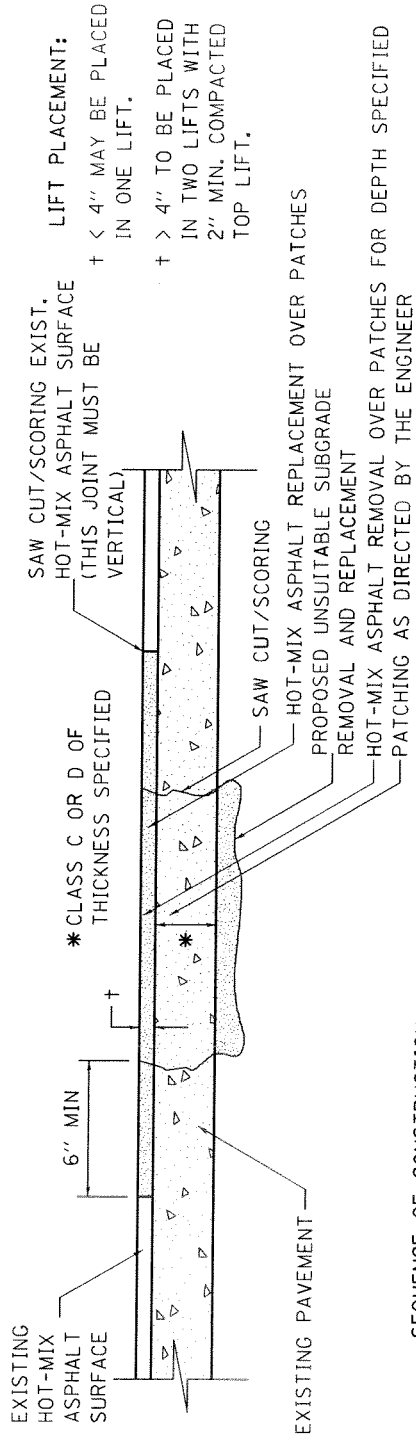
- ◆ TWO-WAY AMBER
- ◀ ONE-WAY AMBER
- ◁ ONE-WAY CRYSTAL



MODIFIED URETHANE PAVEMENT MARKING - LINE 12" (WHITE)

FILE NAME = c:\pwwork\pwwork\pwwork\abuhammad\10308313\10202410-sht-pmk.dgn		STATE OF ILLINOIS DEPARTMENT OF TRANSPORTATION		PAVEMENT MARKING		F.A.P. COUNTY SECTION TOTAL SHEETS SHEETS NO.	
USER NAME = ABUHAMMAD		1100+00		646 (IL40)		7.8.9RS2 85 66	
PLOT DATE = Tue Jan 28 14:02:14 2014		MATCH LINE STA. 1095+00		CONTRACT NO. 64F85		* CARROLL AND WHITESIDE	
		MATCH LINE STA. 1100+75		FED. ROAD DIST. NO. ILLINOIS		FED. AID PROJECT	

PAVEMENT PATCHING FOR HOT-MIX ASPHALT SURFACED PAVEMENT



SEQUENCE OF CONSTRUCTION:

1. REMOVE THE EXISTING HOT-MIX ASPHALT SURFACE.
2. RESIDENT ENGINEER WILL DETERMINE IF LOCATION IS TO BE PATCHED OR TO ONLY REPLACE HOT-MIX ASPHALT SURFACE.
3. REMOVE AND REPLACE FULL DEPTH PATCHES AT LOCATIONS DIRECTED BY THE ENGINEER.
4. REPLACE HOT-MIX ASPHALT SURFACE OVER FULL DEPTH PATCHES AND AT LOCATIONS OF HOT-MIX ASPHALT SURFACE REMOVAL.

REVISED - 10-03-11

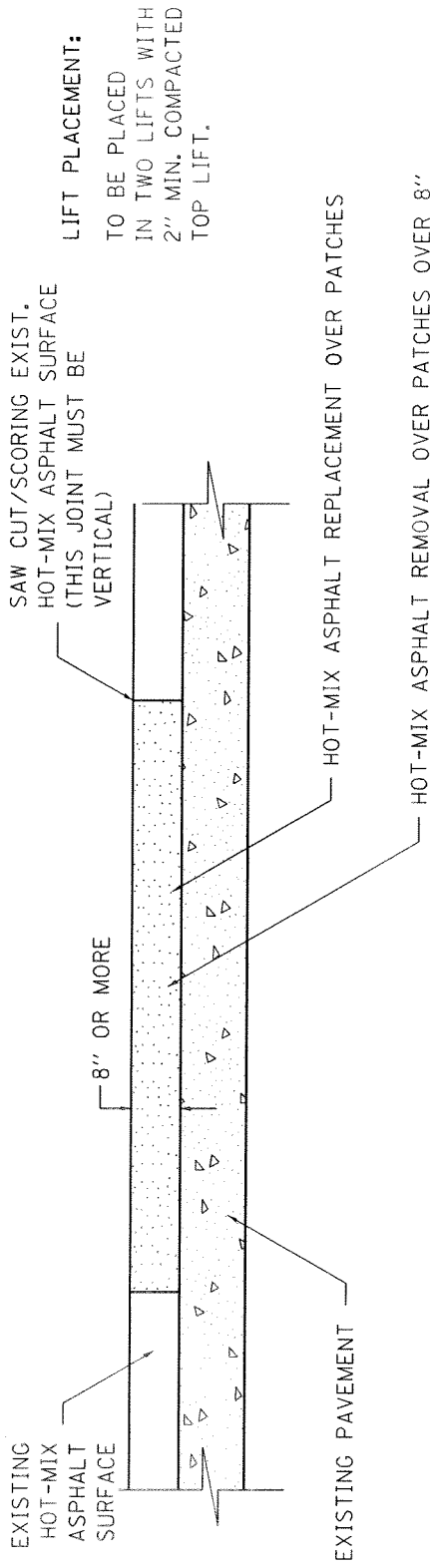
GENERAL NOTES:

1. FOR BASIS OF PAYMENT: SEE THE RECURRING SPECIAL PROVISION "PATCHING WITH HOT-MIX ASPHALT OVERLAY REMOVAL".
- ALL DIMENSIONS ARE IN INCHES UNLESS OTHERWISE NOTED.

PAVEMENT PATCHING FOR HOT-MIX ASPHALT SURFACED PAVEMENT 32.4

FILE NAME =	USER NAME = ABUHANNAW	STATE OF ILLINOIS DEPARTMENT OF TRANSPORTATION	DISTRICT STANDARD	F.A.P RTL.	SECTION	COUNTY	TOTAL SHEETS	SHEET NO.
c:\pwwork\pwwork\abuhanna\0306313\202410-sht-detail.dgn				646	(7.8.9)RS-2		85	67
PLOT DATE = Tue Jan 28 13:53:26 2014			FED. ROAD DIST. NO.		ILLINOIS	CONTRACT NO. 64E85		

PAVEMENT PATCHING DETAIL



LIFT PLACEMENT:
TO BE PLACED
IN TWO LIFTS WITH
2" MIN. COMPACTED
TOP LIFT.

SEQUENCE OF CONSTRUCTION:

1. REMOVE THE EXISTING HOT-MIX ASPHALT SURFACE.
2. REPLACE HOT-MIX ASPHALT SURFACE.

GENERAL NOTES:

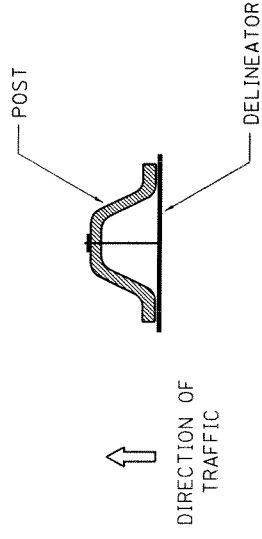
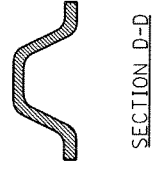
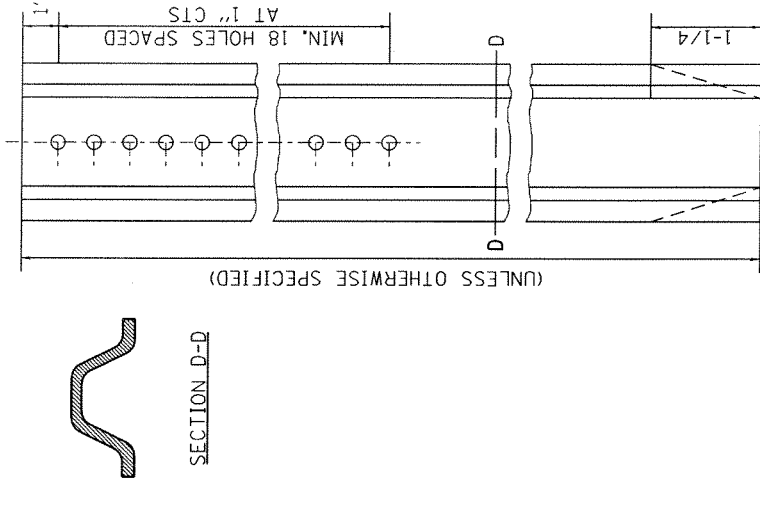
1. FOR BASIS OF PAYMENT: SEE THE RECURRING SPECIAL PROVISION "PATCHING WITH HOT-MIX ASPHALT OVERLAY REMOVAL".
- ALL DIMENSIONS ARE IN INCHES UNLESS OTHERWISE NOTED.

REVISED - 10-03-11

PAVEMENT PATCHING DETAIL 33.4

FILE NAME = o:\pwwork\pwwork\pwwork\abuhanna\0308313\022410-sht-detail.dgn	USER NAME = ABUHANNAW		STATE OF ILLINOIS DEPARTMENT OF TRANSPORTATION	DISTRICT STANDARD	SECTION (7,8,9)RS-2	COUNTY *	TOTAL SHEETS	SHEET NO. 68
	PLOT DATE = Tue Jan 28 13:53:27 2014						646	
				F.A.P. RTE. 646		FED. ROAD DIST. NO.		CONTRACT NO. 64E85
				ILLINOIS		FED. AID PROJECT		

DELINEATOR AND POST ORIENTATION



DELINEATORS SHALL BE INSTALLED ACCORDING TO STANDARD 635001 EXCEPT THAT THE POST SHALL BE ROTATED 180°. THE POST WILL HAVE THE WIDE SIDE FACING TRAFFIC AND THE DELINEATOR ATTACHED AS SHOWN ABOVE.

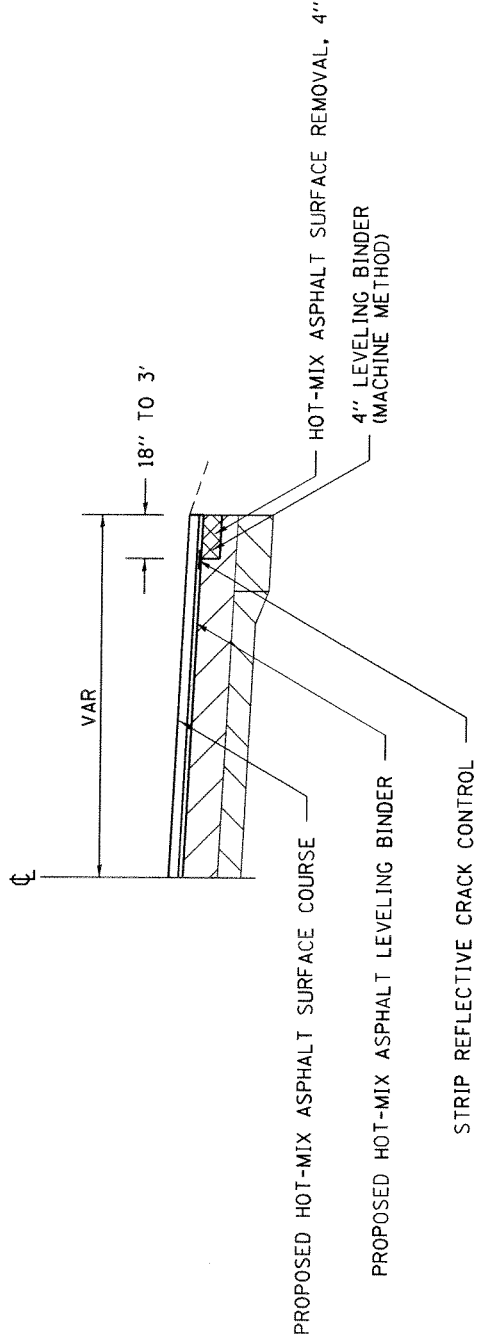
ALL DIMENSIONS ARE IN INCHES UNLESS OTHERWISE NOTED.

REVISED - 10-03-11

FILE NAME =		USER NAME = ABUHANNAW		STATE OF ILLINOIS		DISTRICT STANDARD		F.A.P. RTE.		SECTION		COUNTY		TOTAL SHEETS	
c:\pwwork\pwwork\obuhanna\30306313\20242410-sht-details.dgn				DEPARTMENT OF TRANSPORTATION				646		(7,8,9)RS-2		•		85	
		PLOT DATE = Tue Jan 28 13:53:07 2014										ILLINOIS		CONTRACT NO. 64E85	
												37.4		WHITESIDE / CARROLL	
														FED. ROAD DIST. NO.	
														FED. AID PROJECT	

DELINEATOR AND POST ORIENTATION

EDGE OF PAVEMENT REPAIR

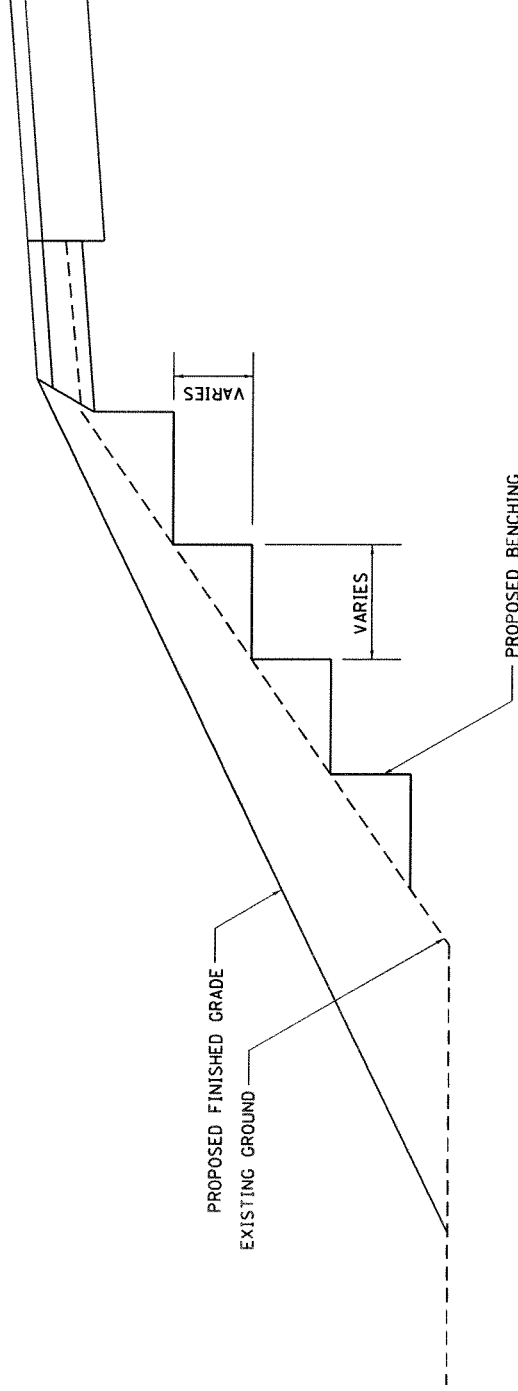


REVISED - 4-04-11

EDGE OF PAVEMENT REPAIR 38.4

FILE NAME =	USER NAME = ABUHANNAW	F.A.P. RTE.	SECTION	COUNTY	TOTAL SHEETS	CARROLL
c:\p-w\work\p-w\dot\abuhanna\0308313\0222410-sht-details.dgn		646	(7.8.9RS-2)		85	70
PLOT DATE = Tue Jan 28 13:53:05 2014	STATE OF ILLINOIS DEPARTMENT OF TRANSPORTATION	FED. ROAD DIST. NO.	ILLINOIS	FED. AID PROJECT	CONTRACT NO. 64E85	
	DISTRICT STANDARD					

TYPICAL BENCHING ON EXISTING EMBANKMENT

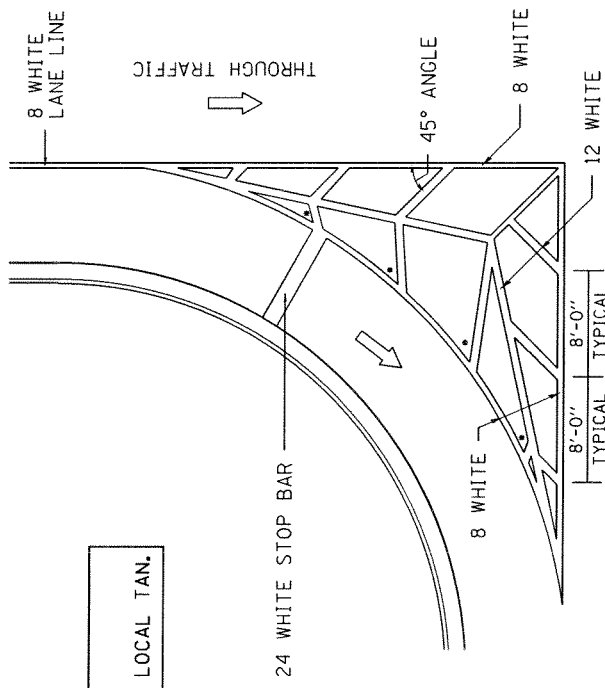


REVISED - 2-22-06

FILE NAME = c:\pwwork\pwwork\pwwork\abuhennew\d0308313\022410-sh-t-detail.s.dgn	USER NAME = ABUHANNAW	STATE OF ILLINOIS DEPARTMENT OF TRANSPORTATION	DISTRICT STANDARD	F.A.P. RTE. 646	SECTION (7,8,9)RS-2	COUNTY •	TOTAL SHEET SHEETS 85	WHITESIDE / CARROLL
PLOT DATE = Tue Jan 28 13:53:04 2014			FED. ROAD DIST. NO.		ILLINOIS		CONTRACT NO. 64E85	FED. AID PROJECT

TYPICAL BENCHING ON EXISTING EMBANKMENT 50.4

TYPICAL MARKING FOR PAINTED ISLANDS



NOTE:
* 45° TO LOCAL TAN.

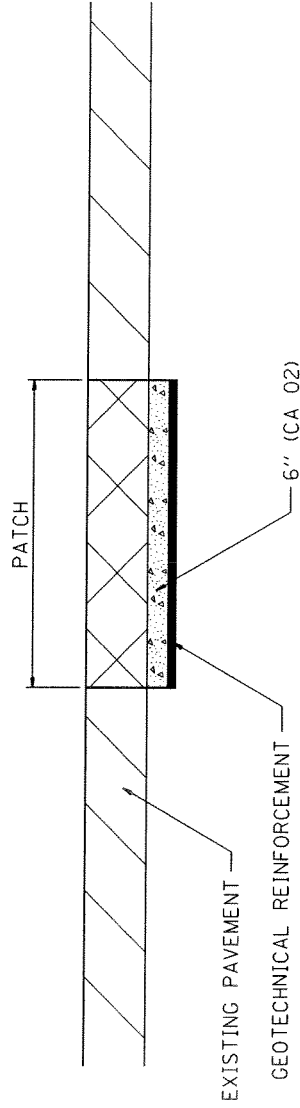
ALL DIMENSIONS ARE IN INCHES
UNLESS OTHERWISE NOTED.

REVISED - 10-05-11

TYPICAL MARKING FOR PAINTED ISLANDS 93.4

FILE NAME = c:\pwwork\pwwork\abuhanna\40308313\0242410-shr-de-tails.dgn	USER NAME = ABUHANNAW	STATE OF ILLINOIS DEPARTMENT OF TRANSPORTATION	DISTRICT STANDARD	F.A.P RTE. 646	SECTION (7,8,9)RS-2	COUNTY •	TOTAL SHEETS 85	SHEET NO. 72
PLOT DATE = Tue Jan 28 13:53:12 2014				FED. ROAD DIST. NO.		ILLINOIS FED. AID PROJECT CONTRACT NO. 64E85		

SUBGRADE REPLACEMENT



NOTES:
 THE CA 02 SHALL BE COMPACTED IN A MANNER APPROVED BY THE ENGINEER, IF THE MOISTURE CONTENT OF THE MATERIAL IS SUCH THAT COMPACTION SATISFACTORY TO THE ENGINEER CANNOT BE OBTAINED, SUFFICIENT WATER SHALL BE ADDED SO THAT SATISFACTORY COMPACTION CAN BE OBTAINED.

THE CA 02 SHALL BE PAID FOR AT THE CONTRACT UNIT PRICE PER CU YD FOR AGGREGATE SUBGRADE IMPROVEMENT WHICH SHALL ALSO INCLUDE ALL EARTH EXCAVATION.

THE GEOTECHNICAL REINFORCEMENT WILL BE PAID FOR AT THE CONTRACT UNIT PRICE PER SQ YD FOR GEOTECHNICAL REINFORCEMENT.

ALL DIMENSIONS ARE IN INCHES UNLESS OTHERWISE NOTED.

REVISED - 3-13-13

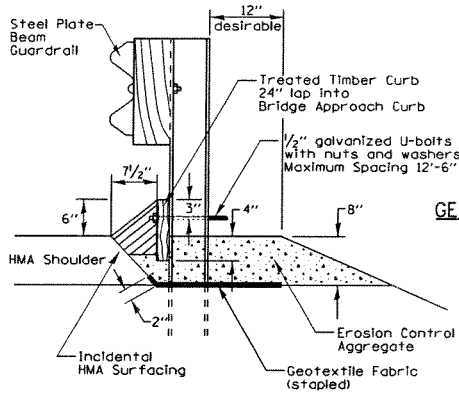
SUBGRADE REPLACEMENT 97.4

FILE NAME = c:\pwwork\pwwork\abuhanna\30308313\202410-sht-details.dgn	USER NAME = ABUHANNAW	STATE OF ILLINOIS DEPARTMENT OF TRANSPORTATION	DISTRICT STANDARD	F.A.P. RTL.	SECTION	COUNTY	TOTAL SHEETS	TOTAL SHEET NO.
	PLOT DATE = Tue Jan 28 13:53:29 2014			646	(7,8,9)RS-2	*	85	73
				FED. ROAD DIST. NO.	ILLINOIS	FED. AID PROJECT	CONTRACT NO. 64E85	

GUARDRAIL EROSION CONTROL TREATMENTS

GENERAL NOTES: EROSION CONTROL CURB

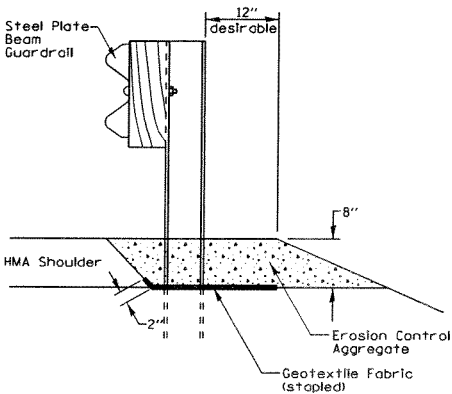
1. This work shall consist of grading as needed, installing hardware, 2" x 10" treated timber boards and incidental hot-mix asphalt surfacing in front of steel plate beam guardrail in accordance with plan details.
2. Timber shall be treated in accordance with Article 1007.12 Waterborne preservatives "asa" and "cca" shall have a minimum retention of 0.40 lbs./cu. ft.
3. This work will be paid for at the contract unit price per foot for EROSION CONTROL CURB (pay code Z0020800).



**TYPICAL SECTION
WITH EROSION CONTROL CURB**

GENERAL NOTES: GUARDRAIL AGGREGATE EROSION CONTROL

1. This work shall consist of furnishing and installing, Geotextile Fabric and staples, and furnishing, placing and shaping crushed aggregate around and behind Steel Plate Beam Guardrail posts in accordance with Plan Details.
2. Before placing the aggregate and the Geotextile Fabric, weeds and grass shall be removed from the area to be covered.
3. After the area has been prepared, and in a dry condition, the Geotextile Fabric shall be placed with a 12" minimum overlay. A knife cut for guardrail post installation is necessary.
4. The aggregate shall be deposited, compacted and shaped by either mechanical or hand methods, in a manner reasonably true to line and grade.
5. The Contractor shall have the option of placing the guardrail before or after the Geotextile Fabric and aggregate are in place. If the guardrail is placed after the Geotextile Fabric and aggregate, then any voids must be filled and the aggregate returned to line and grade.
6. Materials shall meet following requirements:
 - A. The crushed aggregate shall be CA1 gradation in accordance with Article 1004.01 of the Standard Specifications.
 - B. The aggregate shall meet class D quality requirements as outlined in Article 1004.01 of the Standard Specifications with the following exceptions:
 - 1) Revise the maximum allowable percentage of weighted average loss when the material is subjected to 5 cycles of the Sodium Sulfate Soundness Test from 25% as shown under class D of the quality chart in Article 1004.01 (b) of the Standard Specifications to 40%.
 - 2) Revise the maximum allowable percentage of wear as determined by the Los Angeles Abrasion Method from 45% as shown under class D of the quality chart in Article 1004.01 (b) of the Standard Specifications to 65%.
 - 3) The sum of the percentage of weighted average loss when the material is subjected to 5 cycles of the Sodium Sulfate Soundness Test and the percentage of wear as determined by the Los Angeles Abrasion Method, shall not exceed 95%.
 - C. The Geotextile Fabric shall be non woven fabric in accordance with Article 1080.02 of the Standard Specifications.
7. This work will be paid for at the contract unit price per ton for GUARDRAIL AGGREGATE EROSION CONTROL (pay code Z0001002).

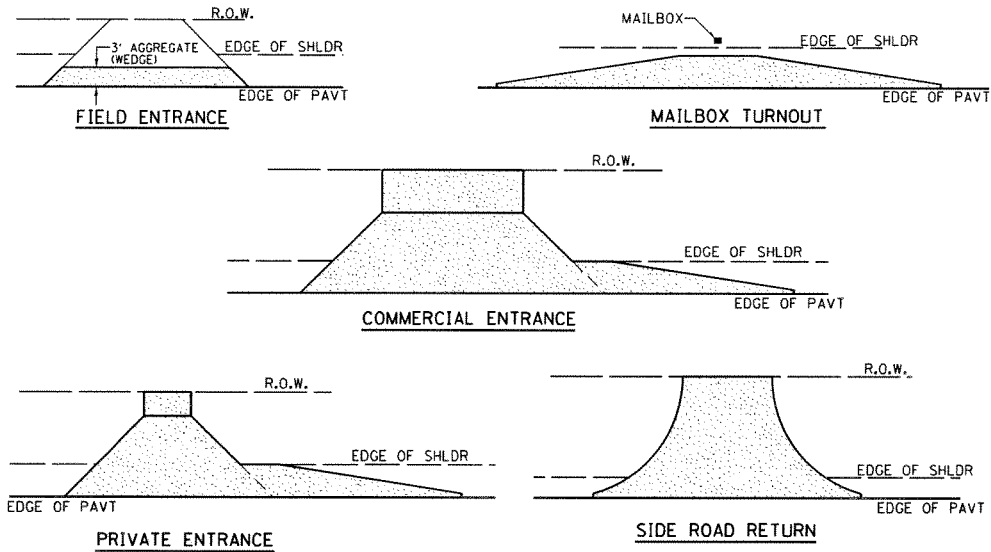


**TYPICAL SECTION
WITHOUT EROSION CONTROL CURB**

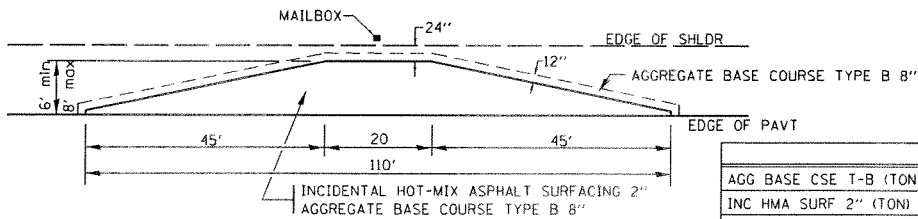
REVISED - 10-14-11

F.A.P. RTE.	646	SECTION	(7,8,9)RS-2	COUNTY	*	TOTAL SHEET NO.	85	
				FED. ROAD DIST. NO.	ILLINOIS	FED. AID PROJECT	CONTRACT NO.	64E85
				DISTRICT STANDARD				
				STATE OF ILLINOIS DEPARTMENT OF TRANSPORTATION				
				USER NAME = ABUHANNAW				
				PLOT DATE = Tue Jan 28 13:53:10 2014				
				FILE NAME =				
				c:\p-wor-k\p-wid\ebuhanna\40308313\ND242410-sht-details.dgn				

HOT-MIX ASPHALT APPROACHES & MAILBOX RETURNS FOR TWO LIFT (3P) RESURFACING PROJECTS



- NOTE: EXISTING HMA PE's, CE's, SR's, & MB TURNOUTS**
Place 2 1/4 " Incidental Hot-Mix Asphalt Surfacing #40800050 on entrance to conform to the existing configuration.
- EXISTING AGG. PE's & CE's**
Place 2" Incidental Hot-Mix Asphalt Surfacing #40800050 on existing entrance to conform to the present configuration.
- EXISTING AGG. SIDEROADS**
Place 3" Incidental Hot-Mix Asphalt Surfacing #40800050 on sideroad to conform to the present configuration.
- EXISTING AGG. MAILBOX TURNOUTS**
Existing Agg. Mailbox Turnouts shall be constructed as shown below.

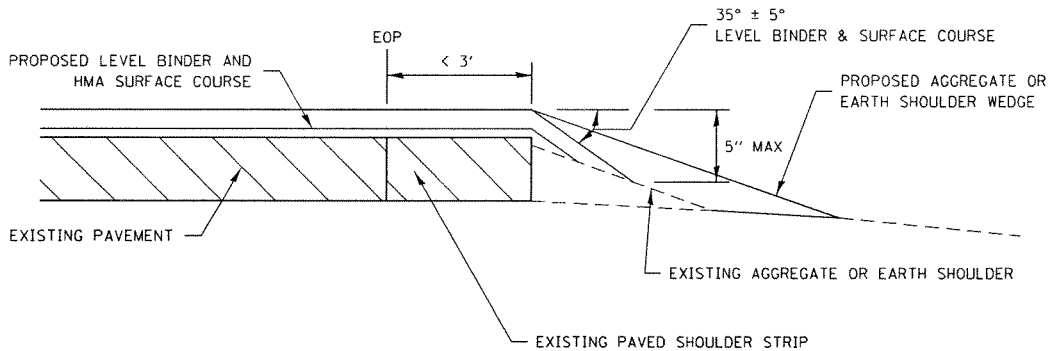


	6'	8'
AGG BASE CSE T-B (TON)	24.5	31.1
INC HMA SURF 2" (TON)	7.3	9.8
BIT PRIME COAT (TON)	0.06	0.08

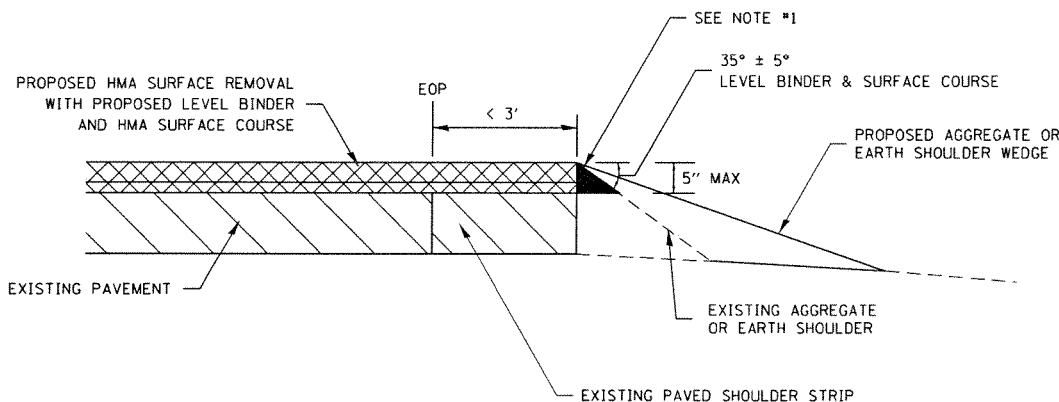
REVISED - 10-21-08

• WHITESIDE / CARROLL	TOTAL SHEET NO.	85	75
COUNTY	SECTION	(7,8,9)RS-2	CONTRACT NO. 64E85
F.A.P. RTE. 646	ILLINOIS FED. AID PROJECT		
DISTRICT STANDARD			
STATE OF ILLINOIS DEPARTMENT OF TRANSPORTATION			
USER NAME = ABUHANNAW			
PLOT DATE = Tue Jan 28 13:53:08 2014			
FILE NAME = c:\pwwork\pwwork\abuhannaw\2008313\202410-sht-details.dgn			

SAFETY EDGE (3P PROJECTS)



NO MILLING: ADJACENT SHOULDER FLUSH WITH OR LOWER THAN EXISTING PAVEMENT



MILLING: WITH ADJACENT SHOULDER FLUSH WITH OR HIGHER THAN MILLED SURFACE

NOTES : THE DEVICE WHICH FORMS THE SAFETY EDGE SHALL BE MOUNTED ON THE PAVER SCREED AGAINST THE END GATE AND SHALL BE REMOVABLE OR BE ABLE TO BE LIFTED WHEN NOT IN USE. THE DEVICE SHALL BE DESIGNED TO MAINTAIN CONTACT WITH SURFACE OF THE SHOULDER AND ALLOW AUTOMATIC TRANSITION TO CROSS ROADS, DRIVEWAYS AND OBSTRUCTIONS. THE DEVICE SHALL ALSO CONSTRAIN THE HMA MATERIAL AND INCREASE THE CONSOLIDATION OF THE EXTRUDED PROFILE. THE USE OF A CONVENTIONAL SINGLE PLATE STRIKE-OFF WILL NOT BE ALLOWED.

ROLLERS WILL NOT BE ALLOWED ON THE SLOPED FACE OF THE SAFETY EDGE.

NOTE #1:
PRIOR TO THE PLACEMENT OF THE HMA SAFETY EDGE, IF THE ADJACENT AGGREGATE OR EARTH SHOULDER IS HIGHER THAN THE MILLED SURFACE, THE AREA REQUIRED FOR PLACEMENT OF THE SAFETY EDGE SHALL BE BROUGHT FLUSH WITH THE MILLED SURFACE IN A MANNER APPROVED BY THE ENGINEER. THIS WORK SHALL BE CONSIDERED INCLUDED IN THE CONTRACT UNIT PRICE PER TON FOR HOT-MIX ASPHALT SURFACE COURSE OF THE TYPE SPECIFIED.

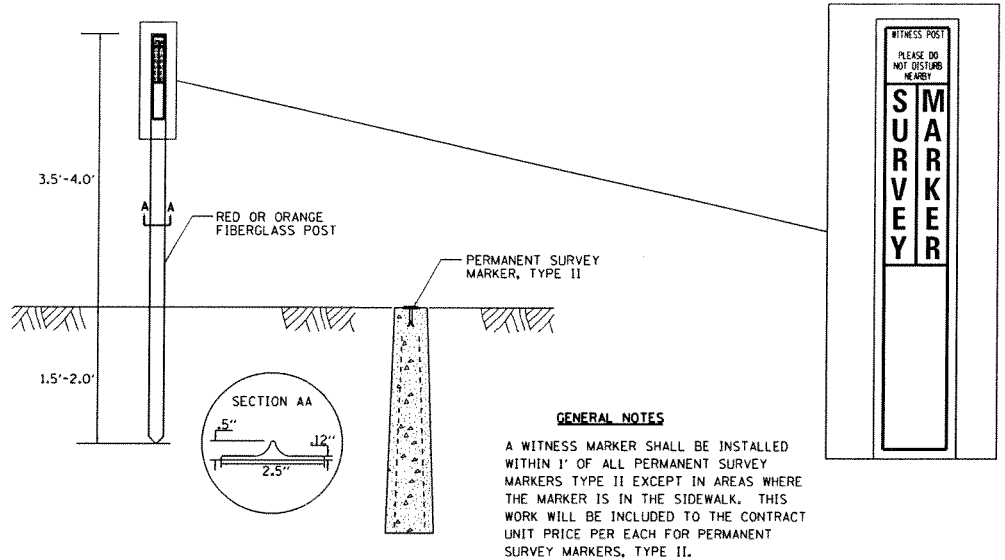
REVISED - 10-11-13

SAFETY EDGE (3P PROJECTS) 49.2

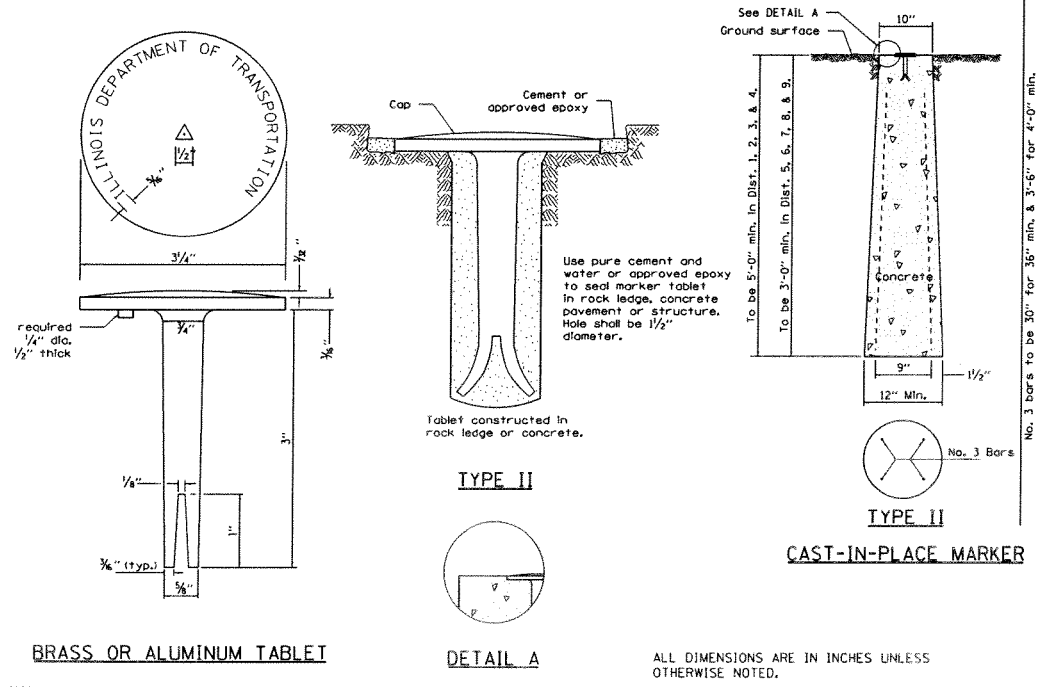
• WHITESIDE / CARROLL		TOTAL SHEET NO.	85	76
COUNTY	SECTION	F.A.P. RTE.	CONTRACT NO. 64E85	
•	(7.8.9)RS-2	646	ILLINOIS FED. AID PROJECT	
DISTRICT STANDARD		STATE OF ILLINOIS DEPARTMENT OF TRANSPORTATION		
PLOT DATE = Tue Jan 28 13:53:15 2014		USER NAME = ABUHANNAW e:\p\work\p\iddot\ebuhanna\40308313\242410-sht-details.dgn		

• WHITESIDE / CARROLL		TOTAL SHEETS	77
COUNTY	*	CONTRACT NO.	64E85
F.A.P. RTE.	646	SECTION	(7,8,9)RS-2
DISTRICT STANDARD		FED. ROAD DIST. NO.	ILLINOIS FED. AID PROJECT
STATE OF ILLINOIS DEPARTMENT OF TRANSPORTATION		USER NAME =	ABUHANNAW
PILOT DATE = Tue Jan 28 13:53:14 2014		e:\pwwork\k\pwwork\pwwork\0308313\0242410-sht-details.dgn	

WITNESS MARKER FOR PERMANENT SURVEY MARKERS, TYPE II



PERMANENT SURVEY MARKERS, TYPE II

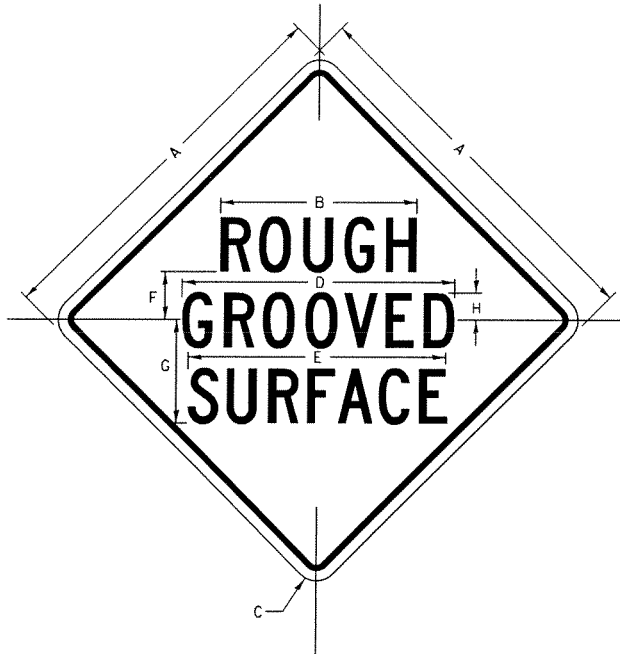


REVISED - 10-14-11

WITNESS MARKER & PERMANENT SURVEY MARKERS, TYPE II 66.2

ROUGH GROOVED SURFACE SIGN

ILLINOIS STANDARD W8-I107
SIGN PANEL TYPE 1



COLOR: LEGEND AND BORDER - BLACK NON-REFLECTIVE
BACKGROUND - ORANGE REFLECTORIZED

SIGN SIZE	DIMENSIONS							
	A	B	C	D	E	F	G	H
48x48	48.0	24.1	3.0	34.0	33.0	6.0	13.0	3.5

SIGN SIZE	SERIES			MARGIN	BORDER	BLANK STD.
	LINES					
	1	2	3			
48x48	7C	7C	7C	0.8	1.2	B4-48D

ALL DIMENSIONS IN INCHES.

GENERAL NOTES

SIGN PANELS AND FACE MATERIALS SHALL BE ACCORDING TO SECTION 720 OF THE STANDARD SPECIFICATIONS

METAL POSTS SHALL BE IN ACCORDANCE WITH STD. 720011.

ALL MOUNTING HARDWARE SHALL BE ALUMINUM, STAINLESS STEEL, ZINC OR CADMIUM PLATED STEEL AND SHALL BE INCLUDED TO THE COST OF THE INSTALLATION.

ALL DIMENSIONS ARE IN INCHES UNLESS OTHERWISE NOTED.

REVISED - 10-14-11

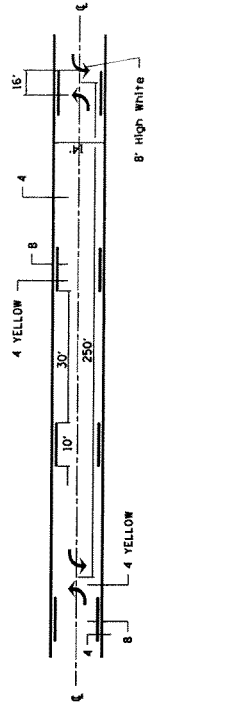
ROUGH GROOVED SURFACE SIGN

91.2

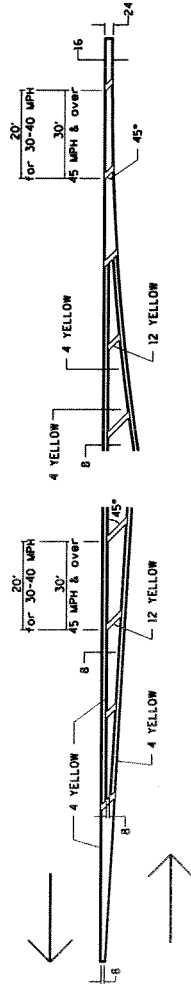
F.A.P. RTE.	646	SECTION	(7.8.9)RS-2	• WHITESIDE / CARROLL	
				COUNTY	TOTAL SHEET NO.
FED. ROAD DIST. NO.				ILLINOIS	FED. AID PROJECT
STATE OF ILLINOIS DEPARTMENT OF TRANSPORTATION			DISTRICT STANDARD		
USER NAME = ABUHANNAW c:\p-wor-k\p-wid\ebuhanna\202410-sht-det-11.sgn					
PLOT DATE = Tue Jan 28 13:53:13 2014					
FILE NAME =					
CONTRACT NO. 64E85				TOTAL SHEETS 85	

TYPICAL PAVEMENT MARKINGS

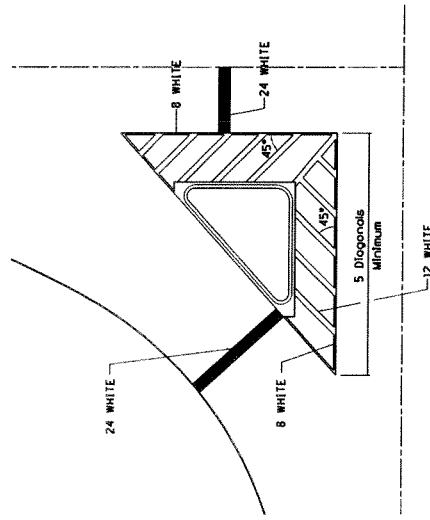
MEDIAN PAVEMENT MARKING



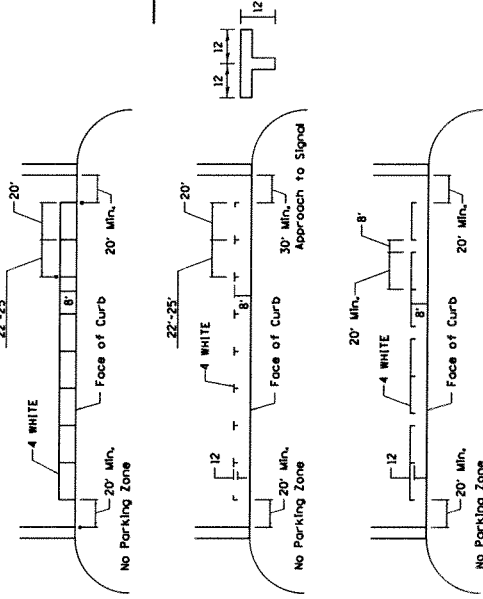
TYPICAL PAVEMENT MARKING FOR FLUSH MEDIAN AT LEFT TURN LANE



TYPICAL ISLAND OFFSET SHOULDER WIDTH

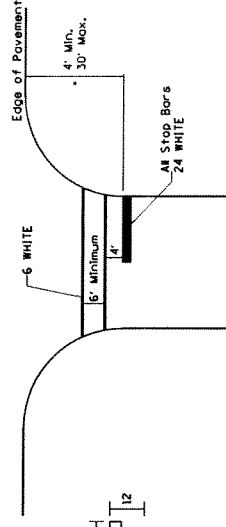


TYPICAL PARKING SPACING



STANDARD CROSSWALK MARKING

See Schedules for Locations



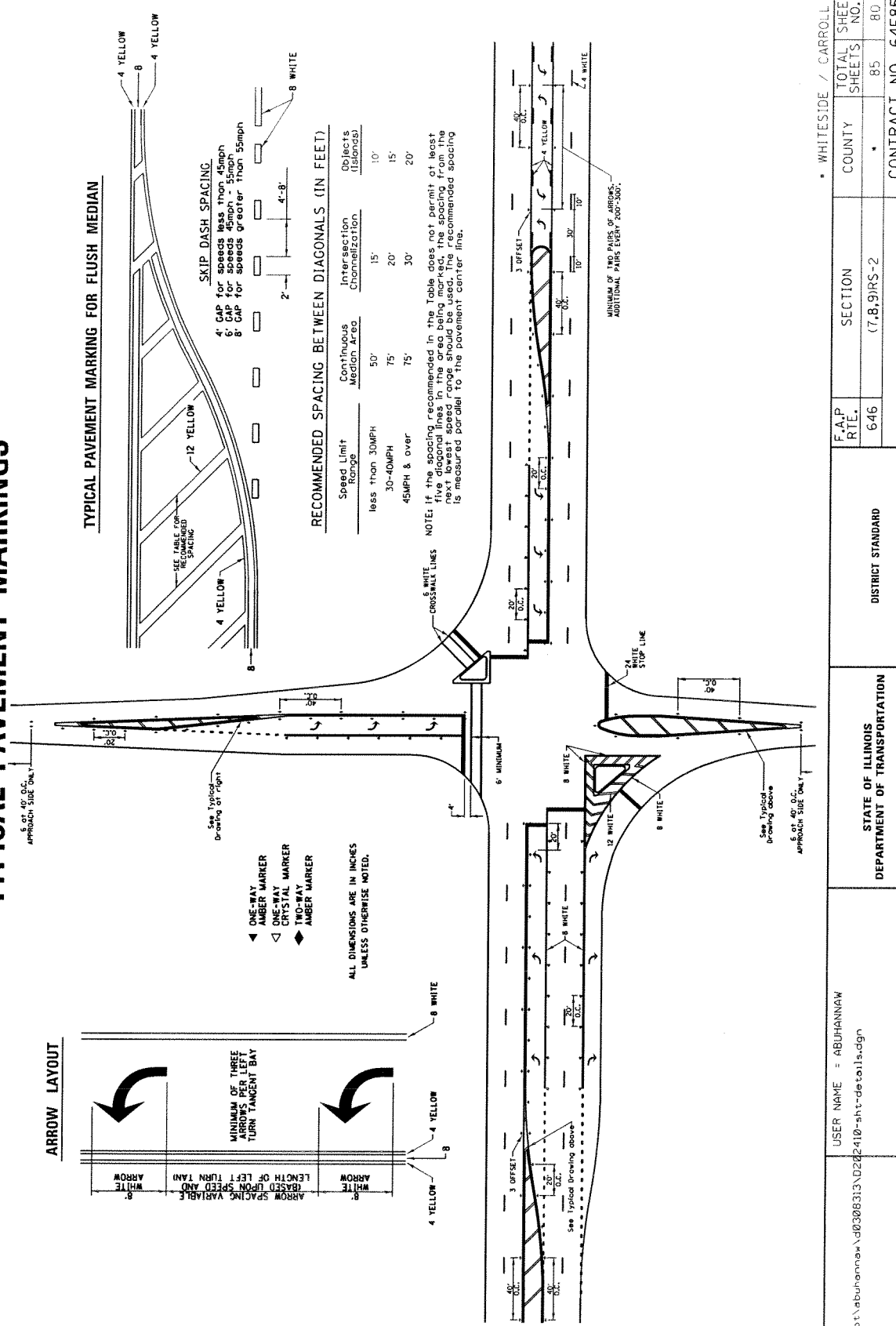
• Distances to the nearest edge of the intersecting roadway in the absence of a marked crosswalk.

REVISED 3/05/12

FILE NAME = e:\pwwork\pmid\abuhanna\0308313\0242410-shd-details.dgn	USER NAME = ABUHANNAW	DISTRICT STANDARD		STATE OF ILLINOIS DEPARTMENT OF TRANSPORTATION		CONTRACT NO. 64E85	
F.A.P. RTE. 646	SECTION (7,8,9)RS-2	COUNTY *	TOTAL SHEETS 85	ILLINOIS FED. AID PROJECT			
FED. ROAD DIST. NO.		CONTRACT NO. 64E85		PLOT DATE = Tue Jan 28 13:53:22 2014			

• WHITESIDE / CARROLL

TYPICAL PAVEMENT MARKINGS



RECOMMENDED SPACING BETWEEN DIAGONALS (IN FEET)

Speed Limit Range	Continuous Median Area	Intersection Channelization	Objects (Islands)
less than 30MPH	50'	15'	10'
30-40MPH	75'	20'	15'
45MPH & over	75'	30'	20'

REVISION 3-04-12

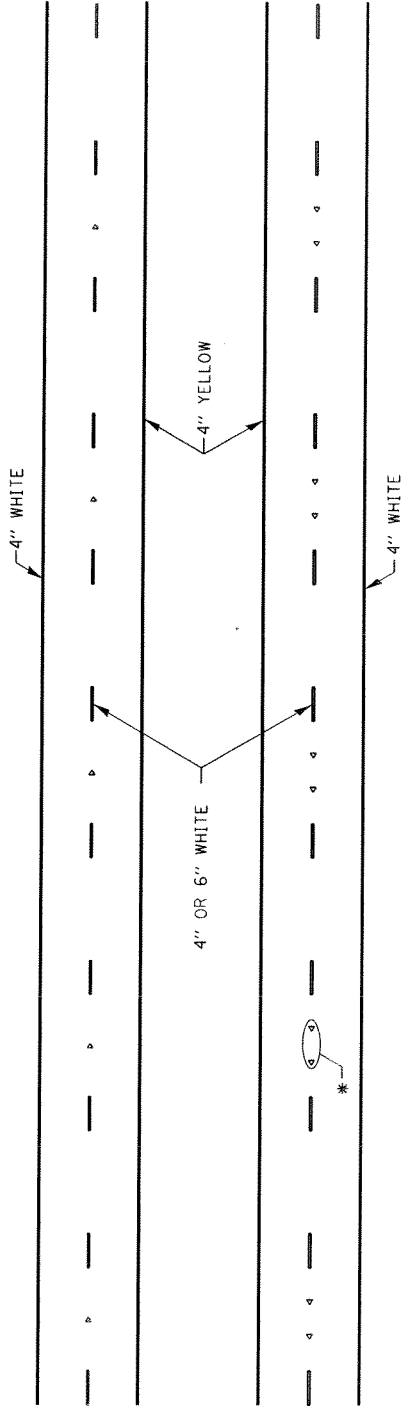
FILE NAME = c:\bw-work\pwwork\abuhanna\40308313\0242-410-sht-details.dgn

USER NAME = ABUHANNAW

PLOT DATE = Tue Jan 28 13:53:17 2014

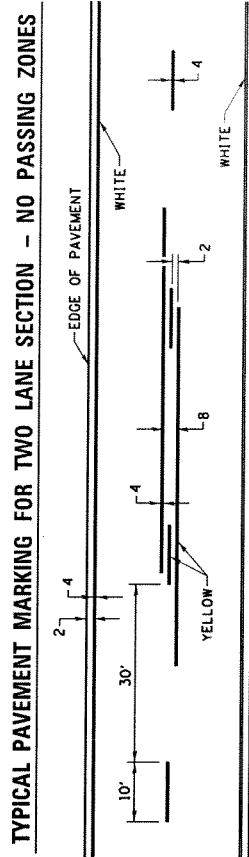
F.A.P. RTE.	SECTION	DISTRICT STANDARD	STATE OF ILLINOIS DEPARTMENT OF TRANSPORTATION	STATE OF ILLINOIS DEPARTMENT OF TRANSPORTATION	• WHITESIDE / CARROLL	
646	(7,8,9)RS-2				COUNTY	TOTAL SHEETS
					85	80
FED. ROAD DIST. NO.			ILLINOIS FED. AID PROJECT		CONTRACT NO. 64E85	

TYPICAL PAVEMENT MARKINGS



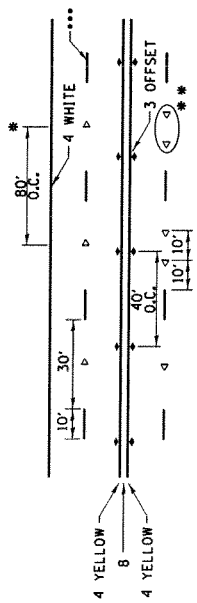
* SEE HIGHWAY STANDARD 781001 FOR SPACING DETAILS.
USE DOUBLE MARKERS WHEN ADT > 20,000.

MULTI-LANE / DIVIDED



TYPICAL PAVEMENT MARKING FOR TWO LANE SECTION - NO PASSING ZONES

SYMBOLS



- * REDUCE TO 40' O.C. ON CURVES WHERE ADVISORY SPEEDS ARE 10 MPH LOWER THAN POSTED SPEEDS.
- ** USE DOUBLE MARKERS WHEN ADT > 20,000
- *** CENTER LINE SKIP DASH PAVEMENT MARKING SPEED LIMIT LESS THAN 40 MPH. USE 4' LINE, SPEED LIMIT 40 MPH AND OVER USE 6' LINE.

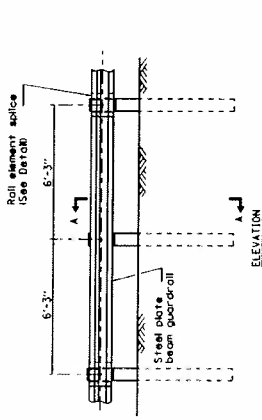
MULTI-LANE / UNDIVIDED & ONE WAY

(FOR MULTI-LANE UNDIVIDED HIGHWAYS USE THIS
DETAIL NOT HIGHWAY STANDARD 781001)

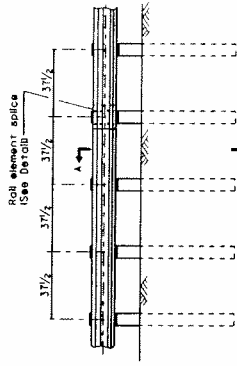
REVISED 8-27-13
REVISED 11-28-12

FILE NAME =	USER NAME = ABUHANNAW	DISTRICT STANDARD	F.A.P. RTE. 646	SECTION (7,8,9)RS-2	COUNTY *	WHITESIDE / CARROLL
e:\pwwork\pwwork\abuhanna\ad0308313\0242410-sht-details.dgn		STATE OF ILLINOIS DEPARTMENT OF TRANSPORTATION	ILLINOIS		CONTRACT NO. 64E85	TOTAL SHEETS 85
PLOT DATE = Tue Jan 28 13:53:16 2014						SHEET NO. 81

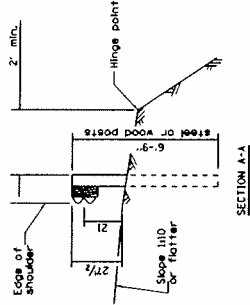
REMOVE AND REERECT STEEL PLATE BEAM GUARDRAIL



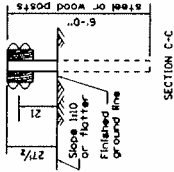
TYPE A
6'-3" Typical post spacing



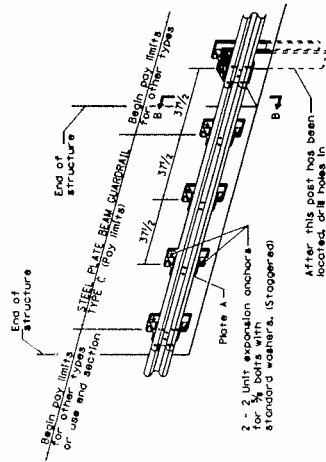
TYPE B
3 7/8" Closed post spacing



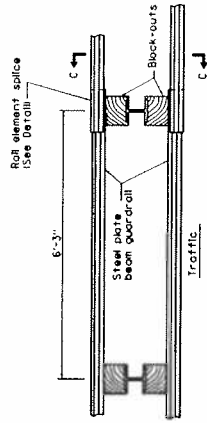
SECTION A-A



SECTION C-C



TYPE C
3 7/8" Back-out spacing

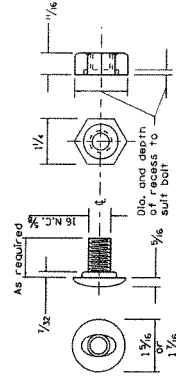
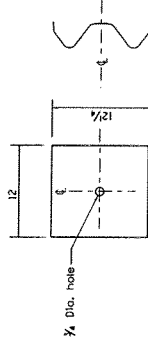
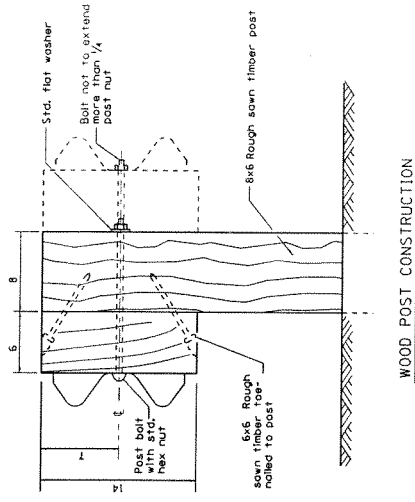
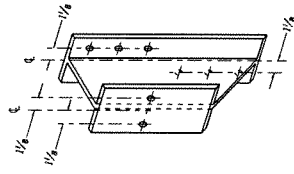
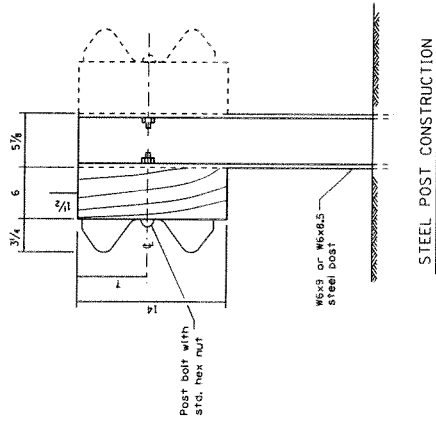


TYPE D
Double steel plate beam guardrail
6'-3" typical post spacing

GENERAL NOTES
All slope ratios are expressed as units vertical to 10 units of horizontal displacement (1V:10H) unless otherwise shown.
The existing steel posts may be drilled to match the bar pattern, or a new steel post shall be provided. This detail is applicable to the guardrail system used prior to January 1, 2007. System, see Standard 630000.

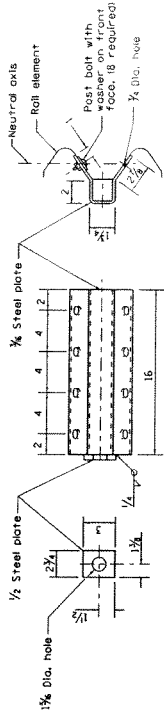
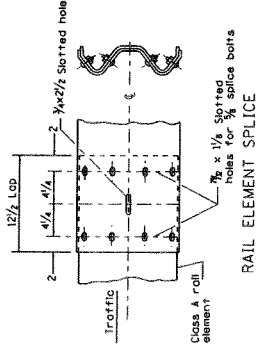
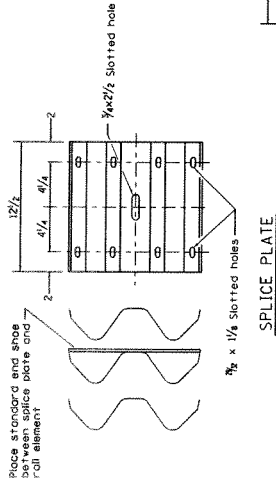
FILE NAME = c:\pwwork\dwid\abuhanna\20242410-shit-detail.dgn	USER NAME = ABUHANNAW	STATE OF ILLINOIS DEPARTMENT OF TRANSPORTATION	DISTRICT STANDARD	F.A.P. RTLE 646	SECTION (7,8,9)RS-2	COUNTY •	TOTAL SHEETS 85	SHEET NO. 82
PLOT DATE = Tue Jan 28 13:53:30 2014			FED. ROAD DIST. NO.		ILLINOIS FED. AID PROJECT		CONTRACT NO. 64E85	

REMOVE AND REERECT STEEL PLATE BEAM GUARDRAIL

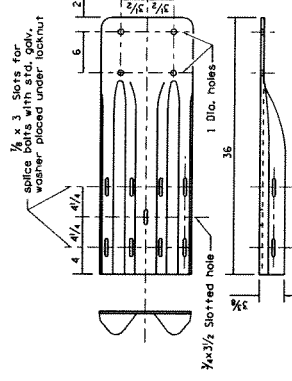


FILE NAME =	USER NAME = ABUHANNAW	DISTRICT STANDARD	TOTAL SHEETS
c:\pv-work\pki\dot\obuhanna\4030831\ND2410\sh-t-details.dgn		STATE OF ILLINOIS DEPARTMENT OF TRANSPORTATION	85
			SHEET NO.
			83
			CONTRACT NO. 64E85
PLOT DATE = Tue Jan 28 13:53:31 2014		FED. ROAD DIST. NO. ILLINOIS FED. AID PROJECT	
		SECTION (7,8,9)RS-2	COUNTY *

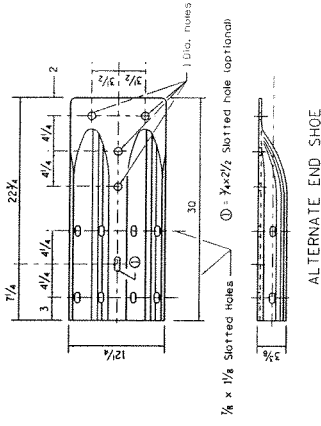
REMOVE AND REERECT STEEL PLATE BEAM GUARDRAIL



NOTE
Anchor plate T shall be used to attach cable assembly to guardrail when required on traffic barrier terminals.



NOTE
When end shoe is attached to bridge deck on expansion joint, the bolts shall be provided with lock washers and locknuts. The standard end shoe shall be attached to the concrete with pre-drilled or self-drilling anchor bolts. The anchor cone shall be set flush with the surface of the concrete. Externally threaded studs protruding from the surface of the concrete will not be permitted.



END SECTION

FILE NAME = c:\pw-nor-k\pw\dot\ebuhanna\030831\N242410-sht-details.dgn	USER NAME = ABUHANNAW PLOT DATE = Tue Jan 28 13:53:32 2014	STATE OF ILLINOIS DEPARTMENT OF TRANSPORTATION DISTRICT STANDARD	F.A.P. RTE. 646 SECTION (7.8.9)RS-2 COUNTY * TOTAL SHEETS 85 SHEET NO. 84 FED. ROAD DIST. NO. ILLINOIS CONTRACT NO. 64E85 FED. AID PROJECT
---	---	--	---

ILLINOIS DEPARTMENT OF LABOR

**PREVAILING WAGES FOR
K < #19G-89 / 75 FFC @COUNT-9G
EFFECTIVE JULY 2014**

The Prevailing rates of wages are included in the Contract proposals which are subject to Check Sheet #5 of the Supplemental Specifications and Recurring Special Provisions. The rates have been ascertained and certified by the Illinois Department of Labor for the locality in which the work is to be performed and for each craft or type of work or mechanic needed to execute the work of the Contract. As required by Prevailing Wage Act (820 ILCS 130/0.01, et seq.) and Check Sheet #5 of the Contract, not less than the rates of wages ascertained by the Illinois Department of Labor and as revised during the performance of a Contract shall be paid to all laborers, workers and mechanics performing work under the Contract. Post the scale of wages in a prominent and easily accessible place at the site of work.

If the Illinois Department of Labor revises the prevailing rates of wages to be paid as listed in the specification of rates, the contractor shall post the revised rates of wages and shall pay not less than the revised rates of wages. Current wage rate information shall be obtained by visiting the Illinois Department of Labor web site at <http://www.state.il.us/agency/idol/> or by calling 312-793-2814. It is the responsibility of the contractor to review the rates applicable to the work of the contract at regular intervals in order to insure the timely payment of current rates. Provision of this information to the contractor by means of the Illinois Department of Labor web site satisfies the notification of revisions by the Department to the contractor pursuant to the Act, and the contractor agrees that no additional notice is required. The contractor shall notify each of its subcontractors of the revised rates of wages.

Whiteside County Prevailing Wage for July 2014

(See explanation of column headings at bottom of wages)

Trade Name	RG	TYP	C	Base	FRMAN	M-F>8	OSA	OSH	H/W	Pensn	Vac	Trng
=====	==	===	=	=====	=====	=====	===	===	=====	=====	=====	=====
ASBESTOS ABT-GEN		BLD		31.620	32.620	1.5	1.5	2.0	8.240	13.72	0.000	0.800
ASBESTOS ABT-MEC		BLD		21.500	22.500	1.5	2.0	2.0	6.500	4.250	0.000	0.650
BOILERMAKER		BLD		36.750	39.750	2.0	2.0	2.0	7.070	15.84	0.000	0.350
BRICK MASON		BLD		37.050	39.800	1.5	1.5	2.0	9.230	12.57	0.000	0.640
CARPENTER		BLD		32.040	35.560	1.5	1.5	2.0	9.430	14.87	0.000	0.600
CARPENTER		HWY		34.880	36.630	1.5	1.5	2.0	10.50	14.00	0.000	0.490
CEMENT MASON		ALL		33.500	36.250	1.5	1.5	2.0	8.600	15.47	0.000	0.500
CERAMIC TILE FNSHER		BLD		32.850	0.000	1.5	1.5	2.0	8.600	5.210	0.000	0.560
COMMUNICATION TECH	E	BLD		36.440	40.080	1.5	1.5	2.0	10.39	12.09	0.000	0.760
ELECTRIC PWR EQMT OP		ALL		37.890	51.480	1.5	1.5	2.0	5.000	11.75	0.000	0.380
ELECTRIC PWR GRNDMAN		ALL		29.300	51.480	1.5	1.5	2.0	5.000	9.090	0.000	0.290
ELECTRIC PWR LINEMAN		ALL		45.360	51.480	1.5	1.5	2.0	5.000	14.06	0.000	0.450
ELECTRIC PWR TRK DRV		ALL		30.340	51.480	1.5	1.5	2.0	5.000	9.400	0.000	0.300
ELECTRICIAN	E	BLD		42.960	47.260	1.5	1.5	2.0	10.39	17.47	0.000	0.860
ELECTRICIAN	W	BLD		32.000	34.000	1.5	1.5	2.0	7.490	11.25	0.000	0.310
ELECTRONIC SYS TECH	W	BLD		24.000	25.750	1.5	1.5	2.0	7.270	5.470	0.000	0.310
ELEVATOR CONSTRUCTOR		BLD		39.890	44.880	2.0	2.0	2.0	12.73	13.46	3.190	0.600
GLAZIER		BLD		23.070	24.570	1.5	1.5	2.0	6.940	6.520	0.000	0.450
HT/FROST INSULATOR		BLD		29.760	30.960	1.5	1.5	2.0	5.450	12.05	0.000	0.900
IRON WORKER	E	ALL		36.290	38.100	2.0	2.0	2.0	8.640	22.69	0.000	0.500
IRON WORKER	W	ALL		29.000	31.320	1.5	1.5	2.0	9.390	10.93	0.000	0.690
LABORER		BLD		31.620	32.620	1.5	1.5	2.0	8.240	13.72	0.000	0.800
LABORER		HWY		36.300	37.050	1.5	1.5	2.0	8.240	13.72	0.000	0.800
LABORER, SKILLED		HWY		38.900	39.650	1.5	1.5	2.0	8.240	13.72	0.000	0.800
LATHER		BLD		32.040	35.560	1.5	1.5	2.0	9.430	14.87	0.000	0.600
MACHINIST		BLD		44.350	46.850	1.5	1.5	2.0	6.760	8.950	1.850	0.000
MARBLE FINISHERS		BLD		32.850	0.000	1.5	1.5	2.0	8.600	5.210	0.000	0.560
MARBLE MASON		BLD		35.530	35.780	1.5	1.5	2.0	8.600	7.520	0.000	0.590
MATERL/TSTR/INSP I		ALL		32.380	0.000	1.5	1.5	2.0	8.240	12.84	0.000	0.800
MATERL/TSTR/INSP II		ALL		34.380	0.000	1.5	1.5	2.0	8.240	12.84	0.000	0.800
MILLWRIGHT		BLD		35.120	38.630	1.5	1.5	2.0	9.170	14.05	0.000	0.500
OPERATING ENGINEER	E	BLD	1	41.800	45.800	2.0	2.0	2.0	16.65	10.30	2.350	1.000
OPERATING ENGINEER	E	BLD	2	41.100	45.800	2.0	2.0	2.0	16.65	10.30	2.350	1.000
OPERATING ENGINEER	E	BLD	3	38.650	45.800	2.0	2.0	2.0	16.65	10.30	2.350	1.000
OPERATING ENGINEER	E	BLD	4	37.650	46.800	2.0	2.0	2.0	17.10	11.05	0.000	1.300
OPERATING ENGINEER	E	BLD	5	46.550	46.800	2.0	2.0	2.0	17.10	11.05	0.000	1.300
OPERATING ENGINEER	E	BLD	6	45.800	46.800	2.0	2.0	2.0	17.10	11.05	0.000	1.300
OPERATING ENGINEER	E	BLD	7	42.800	46.800	2.0	2.0	2.0	17.10	11.05	0.000	1.300
OPERATING ENGINEER	E	HWY	1	42.650	46.650	1.5	1.5	2.0	17.10	11.05	0.000	1.300
OPERATING ENGINEER	E	HWY	2	42.100	46.650	1.5	1.5	2.0	17.10	11.05	0.000	1.300
OPERATING ENGINEER	E	HWY	3	40.800	46.650	1.5	1.5	2.0	17.10	11.05	0.000	1.300
OPERATING ENGINEER	E	HWY	4	39.350	46.650	1.5	1.5	2.0	17.10	11.05	0.000	1.300
OPERATING ENGINEER	E	HWY	5	37.900	46.650	1.5	1.5	2.0	17.10	11.05	0.000	1.300
OPERATING ENGINEER	E	HWY	6	45.650	46.650	1.5	1.5	2.0	17.10	11.05	0.000	1.300
OPERATING ENGINEER	E	HWY	7	43.650	46.650	1.5	1.5	2.0	17.10	11.05	0.000	1.300
OPERATING ENGINEER	W	BLD	1	29.900	31.900	1.5	1.5	2.0	15.85	7.600	2.000	0.900
OPERATING ENGINEER	W	BLD	2	28.300	31.900	1.5	1.5	2.0	15.85	7.600	2.000	0.900
OPERATING ENGINEER	W	BLD	3	27.150	31.900	1.5	1.5	2.0	15.85	7.600	2.000	0.900
OPERATING ENGINEER	W	BLD	4	30.150	31.900	1.5	1.5	2.0	15.85	7.600	2.000	0.900
OPERATING ENGINEER	W	BLD	5	30.650	31.900	1.5	1.5	2.0	15.85	7.600	2.000	0.900
OPERATING ENGINEER	W	BLD	6	31.150	31.900	1.5	1.5	2.0	15.85	7.600	2.000	0.900
OPERATING ENGINEER	W	BLD	7	30.900	31.900	1.5	1.5	2.0	15.85	7.600	2.000	0.900
OPERATING ENGINEER	W	HWY	1	29.900	31.900	1.5	1.5	2.0	15.85	7.600	2.000	0.900
OPERATING ENGINEER	W	HWY	2	28.300	31.900	1.5	1.5	2.0	15.85	7.600	2.000	0.900
OPERATING ENGINEER	W	HWY	3	27.150	31.900	1.5	1.5	2.0	15.85	7.600	2.000	0.900
OPERATING ENGINEER	W	HWY	4	30.150	31.900	1.5	1.5	2.0	15.85	7.600	2.000	0.900

OPERATING ENGINEER	W	HWY	5	30.650	31.900	1.5	1.5	2.0	15.85	7.600	2.000	0.900
OPERATING ENGINEER	W	HWY	6	31.150	31.900	1.5	1.5	2.0	15.85	7.600	2.000	0.900
OPERATING ENGINEER	W	HWY	7	30.400	31.900	1.5	1.5	2.0	15.85	7.600	2.000	0.900
OPERATING ENGINEER	W	HWY	8	30.900	31.900	1.5	1.5	2.0	15.85	7.600	2.000	0.900
PAINTER		ALL		27.320	28.320	1.5	1.5	1.5	5.250	6.350	0.000	0.600
PAINTER OVER 30FT		ALL		28.570	29.570	1.5	1.5	1.5	5.250	6.350	0.000	0.600
PAINTER PWR EQMT		ALL		27.820	28.820	1.5	1.5	1.5	5.250	6.350	0.000	0.600
PILEDRIVER		BLD		33.040	36.670	1.5	1.5	2.0	9.430	14.87	0.000	0.600
PILEDRIVER		HWY		34.880	36.630	1.5	1.5	2.0	10.50	14.00	0.000	0.490
PIPEFITTER		ALL		36.650	40.320	1.5	1.5	2.0	5.800	12.35	0.000	1.050
PLASTERER		BLD		34.280	37.710	1.5	1.5	2.0	9.050	12.55	0.000	0.500
PLUMBER		ALL		36.650	40.320	1.5	1.5	2.0	5.800	12.35	0.000	1.050
ROOFER		BLD		39.700	42.700	1.5	1.5	2.0	8.280	10.06	0.000	0.530
SHEETMETAL WORKER		BLD		37.400	39.330	1.5	1.5	2.0	5.700	16.50	0.520	0.290
SPRINKLER FITTER		BLD		37.120	39.870	1.5	1.5	2.0	8.420	8.500	0.000	0.350
STONE MASON		BLD		37.050	39.800	1.5	1.5	2.0	9.230	12.57	0.000	0.640
SURVEY WORKER-> NOT IN EFFECT		BLD		36.830	37.580	1.5	1.5	2.0	8.240	12.84	0.000	0.800
TERRAZZO FINISHER		BLD		32.850	0.000	1.5	1.5	2.0	8.600	5.210	0.000	0.560
TERRAZZO MASON		BLD		35.530	35.780	1.5	1.5	2.0	8.600	7.520	0.000	0.590
TILE LAYER		BLD		32.040	35.560	1.5	1.5	2.0	9.430	14.87	0.000	0.600
TILE MASON		BLD		35.530	35.780	1.5	1.5	2.0	8.600	7.520	0.000	0.590
TRUCK DRIVER		ALL	1	31.230	0.000	1.5	1.5	2.0	10.30	4.840	0.000	0.250
TRUCK DRIVER		ALL	2	31.680	0.000	1.5	1.5	2.0	10.30	4.840	0.000	0.250
TRUCK DRIVER		ALL	3	31.890	0.000	1.5	1.5	2.0	10.30	4.840	0.000	0.250
TRUCK DRIVER		ALL	4	32.180	0.000	1.5	1.5	2.0	10.30	4.840	0.000	0.250
TRUCK DRIVER		ALL	5	33.020	0.000	1.5	1.5	2.0	10.30	4.840	0.000	0.250
TRUCK DRIVER		O&C	1	24.980	0.000	1.5	1.5	2.0	10.30	4.840	0.000	0.250
TRUCK DRIVER		O&C	2	25.340	0.000	1.5	1.5	2.0	10.30	4.840	0.000	0.250
TRUCK DRIVER		O&C	3	25.510	0.000	1.5	1.5	2.0	10.30	4.840	0.000	0.250
TRUCK DRIVER		O&C	4	25.740	0.000	1.5	1.5	2.0	10.30	4.840	0.000	0.250
TRUCK DRIVER		O&C	5	26.420	0.000	1.5	1.5	2.0	10.30	4.840	0.000	0.250
TUCKPOINTER		BLD		37.050	39.800	1.5	1.5	2.0	9.230	12.57	0.000	0.640

Legend: RG (Region)

TYP (Trade Type - All,Highway,Building,Floating,Oil & Chip,Rivers)

C (Class)

Base (Base Wage Rate)

FRMAN (Foreman Rate)

M-F>8 (OT required for any hour greater than 8 worked each day, Mon through Fri.)

OSA (Overtime (OT) is required for every hour worked on Saturday)

OSH (Overtime is required for every hour worked on Sunday and Holidays)

H/W (Health & Welfare Insurance)

Pensn (Pension)

Vac (Vacation)

Trng (Training)

Explanations

WHITESIDE COUNTY

ELECTRICIAN AND COMMUNICATION TECHNICIAN(EAST) - Townships of Genessee, Jordan, Hopkins, Sterling, Hume, Montmorency, Tampico, and Hahnaman.

ELECTRONIC SYSTEMS TECHNICIAN (WEST) - Portion west of Genessee, Hume, Mount Pleasant, and Tampico Townships.

IRONWORKERS (EAST) - That part county North and East of a line from Fair Haven (Carroll County) to Rt. 30, then to the East county line.

OPERATING ENGINEERS (WEST) - From the fifth sectional line east of Morrison, running directly north and south.

The following list is considered as those days for which holiday rates of wages for work performed apply: New Years Day, Memorial Day, Fourth of July, Labor Day, Thanksgiving Day, Christmas Day and Veterans Day in some classifications/counties. Generally, any of these holidays which fall on a Sunday is celebrated on the following Monday. This then makes work performed on that Monday payable at the appropriate overtime rate for holiday pay. Common practice in a given local may alter certain days of celebration. If in doubt, please check with IDOL.

Oil and chip resealing (O&C) means the application of road oils and liquid asphalt to coat an existing road surface, followed by application of aggregate chips or gravel to coated surface, and subsequent rolling of material to seal the surface.

EXPLANATION OF CLASSES

ASBESTOS - GENERAL - removal of asbestos material/mold and hazardous materials from any place in a building, including mechanical systems where those mechanical systems are to be removed. This includes the removal of asbestos materials/mold and hazardous materials from ductwork or pipes in a building when the building is to be demolished at the time or at some close future date.

ASBESTOS - MECHANICAL - removal of asbestos material from mechanical systems, such as pipes, ducts, and boilers, where the mechanical systems are to remain.

CERAMIC TILE FINISHER, MARBLE FINISHER, TERRAZZO FINISHER

Assisting, helping or supporting the tile, marble and terrazzo mechanic by performing their historic and traditional work assignments required to complete the proper installation of the work covered by said crafts. The term "Ceramic" is used for naming the classification only and is in no way a limitation of the product handled. Ceramic takes into consideration most hard tiles.

COMMUNICATIONS TECHNICIAN - East

Installing, manufacturing, assembling and maintaining sound and intercom, protection alarm (security), fire alarm, master antenna television, closed circuit television, low voltage control for computers and/or door monitoring, school communications systems, telephones and servicing of nurse and emergency calls, and the installation and maintenance of transmit and receive antennas,

transmitters, receivers, and associated apparatus which operates in conjunction with above systems. All work associated with these system installations will be included EXCEPT the installation of protective metallic conduit in new construction projects (excluding less than ten-foot runs strictly for protection of cable) and 120 volt AC (or higher) power wiring and associated hardware.

ELECTRONIC SYSTEMS TECHNICIAN - West

Installing, assembling and maintaining sound and intercom, protection alarm (security), master antenna television, closed circuit television, computer hardware and software programming and installation to the network's outlet and input (EXCLUDING all cabling, power and cable termination work historically performed by wiremen), door monitoring and control, nurse and emergency call programming and installation to the system's outlet and input (EXCLUDING all cabling, power and cable termination work historically performed by wiremen), clock and timing; and the installation and maintenance of transmit and receive antennas, transmitters, receivers, and associated apparatus which operates in conjunction with the above systems. All work associated with these system installations will be included EXCEPT (1) installation of protective metallic conduit, excluding less than ten-foot runs strictly for protection of cable, and (2) 120 volt AC (or higher) power wiring and associated hardware.

LABORER, SKILLED - HIGHWAY

Individuals engaged in the following types of work, irrespective of the site of the work: asbestos abatement worker, handling of any materials with any foreign matter harmful to skin or clothing, track laborer, cement handlers, chloride handlers, the unloading and loading with steel workers and re-bars, concrete workers wet, tunnel helpers in free air, batch dumpers, mason tenders, kettle and tar men, tank cleaners, plastic installers, scaffold workers, motorized buggies or motorized unit used for wet concrete or handling of building materials, laborers with de-watering systems, sewer workers plus depth, rod and chainmen with technical engineers, rod and chainmen with land surveyors, rod and chainmen with surveyors, vibrator operators, cement silica, clay, fly ash, lime and plasters, handlers (bulk or bag), cofferdam workers plus depth, on concrete paving, placing, cutting and tying of reinforcing, deck hand, dredge hand, and shore laborers, bankmen on floating plant, grade checker, power tools, front end man on chip spreaders, cession workers plus depth, gunnite nozzle men, lead man on sewer work, welders, cutters, burners and torchmen, chainsaw operators, jackhammer and drill operators, layout man and/or drainage tile layer, steel form setter - street and highway, air tamping hammermen, signal man on crane, concrete saw operator, screedman on asphalt pavers, laborers tending masons with hot material or where foreign materials are used, mortar mixer operators, multiple concrete duct - leadsman, lumen, asphalt raker, curb asphalt machine operator, ready mix scalemen (permanent, portable or temporary plant), laborers handling masterplate or similar materials, laser beam operator, concrete burning machine operator, coring machine operator, plaster tender, underpinning and shoring of buildings, pump men, manhole and catch basin, dirt and stone tamper, hose men on concrete pumps, hazardous waste worker, lead base paint abatement worker, lining of pipe, refusing machine, assisting on direct boring machine, the work of laying watermain, fire hydrants, all mechanical joints to watermain work, sewer worker, and tapping water service and forced lift station mechanical worker.

MATERIAL TESTER/INSPECTOR I: Hand coring and drilling for testing of materials; field inspection of uncured concrete and asphalt.

MATERIAL TESTER/INSPECTOR II: Field inspection of welds, structural steel, fireproofing, masonry, soil, facade, reinforcing steel, formwork, cured concrete, and concrete and asphalt batch plants; adjusting proportions of bituminous mixtures.

OPERATING ENGINEERS - BUILDING (East)

Class 1. Asphalt Plant; Asphalt Spreader; Autograde; Backhoes with Caisson Attachment; Batch Plant; Benoto (requires Two Engineers); Boiler and Throttle Valve; Caisson Rigs; Central Redi-Mix Plant; Combination Back Hoe Front End-loader Machine; Compressor and Throttle Valve; Concrete Breaker (Truck Mounted); Concrete Conveyor; Concrete Paver (over 27E cu. ft.): Concrete Paver (27 cu. ft. and under); Concrete Placer; Concrete Pump (Truck Mounted); Concrete Conveyor (Truck Mounted); Concrete Tower; Cranes, All; GCI and similar types (required two operators only); Cranes, Hammerhead; Creter Crane; Crusher, Stone, etc.; Derricks, All; Derricks, Traveling; Formless Curb and Gutter Machine; Grader, Elevating; Grouting Machines; Highlift Shovels or Front Endloader 2-1/4 yd. and over; Hoists, Elevators, outside type rack and pinion and similar machines; Hoists, one, two and three Drum; Hoists, Two Tugger One Floor; Hydraulic Backhoes; Hydraulic Boom Trucks; Hydro Vac (and similar equipment - excluding hose work and any sewer work); Locomotives, All; Lubrication Technician; Manipulators; Motor Patrol; Pile Drivers and Skid Rig; Post Hole Digger; Pre-Stress Machine; Pump Cretes Dual Ram; Pump Cretes: Squeeze Cretes - Screw Type Pumps, Gypsum Bulker and Pump; Raised and Blind Hole Drill; Rock Drill (self-propelled); Rock Drill - Truck Mounted; Roto Mill Grinder; Scoops - Tractor Drawn; Slipform Paver; Scrapers Prime Movers; Straddle Buggies; Tie Back Machine; Tractor with Boom and Side Boom; Trenching Machines.

Class 2. Bobcat (over 3/4 cu. yd.); Boilers; Brick Forklift; Broom, All Power Propelled; Bulldozers; Concrete Mixer (Two Bag and Over); Conveyor, Portable; Forklift Trucks; Highlift Shovels or Front Endloaders under 2-1/4 yd.; Hoists, Automatic; Hoists, Sewer Dragging Machine; Hoists, Tugger Single Drum; Laser Screed; Rollers, All; Steam Generators; Tractors, All; Tractor Drawn Vibratory Roller; Winch Trucks with "A" Frame.

Class 3. Air Compressor; Asphalt Spreader; Combination - Small Equipment Operator; Generators; Heaters, Mechanical; Hoists, Inside Elevators - (Rheostat Manual Controlled); Hydraulic Power Units (Pile Driving, Extracting, or Drilling - with a seat); Lowboys; Pumps, Over 3" (1 to 3 not to exceed total of 300 ft.); Pumps, Well Points; Welding Machines (2 through 5); Winches, 4 Small Electric Drill Winches; Bobcat (up to and including 3/4 cu. yd.).

Class 4. Elevator push button with automatic doors; Hoists, Inside; Oilers; Brick Forklift.

Class 5. Assistant Craft Foreman

Class 6. Mechanics; Welders.

Class 7. Gradall

OPERATING ENGINEERS - HIGHWAY CONSTRUCTION (East)

Class 1. Asphalt Plant; Asphalt Heater and Planer Combination; Asphalt Heater Scarfire; Asphalt Silo Tender; Asphalt Spreader; Autograder; ABG Paver; Backhoes with Caisson Attachment; Ballast Regulator; Belt

Loader; Caisson Rigs; Car Dumper; Central Redi-Mix Plant; Backhoe w/shear attachments; Combination Backhoe Front Endloader Machine, (1 cu. yd. Backhoe Bucket or over or with attachments); Concrete Breaker (Truck Mounted); Concrete Conveyor; Concrete Paver over 27E cu. ft.; Concrete Placer; Concrete Tube Float; Cranes, all attachments; Cranes, Tower of all types; Creter Crane; Crusher, Stone, etc.; Derricks, All; Derrick Boats; Derricks, Traveling; Directional Boring Machine over 12"; Dredges; Formless Curb and Gutter Machine; Grader, Elevating; Grader, Motor Grader, Motor Patrol, Auto Patrol, Form Grader, Pull Grader, Subgrader; Guard Rail Post Driver Mounted; Hoists, One, Two and Three Drum; Hydraulic Backhoes; Hydro Vac, Self Propelled, Truck Mounted (excluding hose work and any sewer work); Lubrication Technician; Manipulators; Pile Drivers and Skid Rig; Pre-Stress Machine; Pump Cretes Dual Ram; Rock Drill - Crawler or Skid Rig; Rock Drill - Truck Mounted; Rock/Track Tamper; Roto Mill Grinder; Slip-Form Paver; Snow Melters; Soil Test Drill Rig (Truck Mounted); Straddle Buggies; GCI Crane; Hydraulic Telescoping Form (Tunnel); Tie Back Machine; Tractor Drawn Belt Loader; Tractor Drawn Belt Loader with attached pusher; Tractor with Boom; Tractaire with Attachments; Traffic Barrier Conveyor Machine; Raised or Blind Hole Drills; Trenching Machine (over 12"); Truck Mounted Concrete Pump with Boom; Truck Mounted Concrete Conveyor; Work Boat (no license required - 90 h.p. or above); Underground Boring and/or Mining Machines; Wheel Excavator; Widener (APSCO).

Class 2. Batch Plant; Bituminous Mixer; Boiler and Throttle Valve; Bulldozers; Car Loader Trailing Conveyors; Combination Backhoe Front Endloader Machine (less than 1 cu. yd. Backhoe Bucket or over or with attachments); Compressor and Throttle Valve; Compressor, Common Receiver (3); Concrete Breaker or Hydro Hammer; Concrete Grinding Machine; Concrete Mixer or Paver 7S Series to and including 27 cu. ft.; Concrete Spreader; Concrete Curing Machine, Burlap Machine, Belting Machine and Sealing Machine; Concrete Wheel Saw (large self-propelled - excluding walk-behinds and hand-held); Conveyor Muck Cars (Haglund or Similar Type); Drills, all; Finishing Machine - Concrete; Highlift Shovels or Front Endloader; Hoist - Sewer Dragging Machine; Hydraulic Boom Trucks (All Attachments); Hydro Blaster; All Locomotives, Dinky; Off-Road Hauling Units; Non-Self Loading Dump; Ejection Dump; Pump Cretes: Squeeze Cretes - Screw Type Pumps, Gypsum Bulker and Pump; Roller, Asphalt; Rotary Snow Plows; Rototiller, Seaman, etc., self-propelled; Scoops - Tractor Drawn; Self-Propelled Compactor; Spreader - Chip - Stone, etc.; Scraper; Scraper - Prime Mover in Tandem (Regardless of Size); Tank Car Heater; Tractors, Push, Pulling Sheeps Foot, Disc, Compactor, etc.; Tug Boats.

Class 3. Boilers; Brooms, All Power Propelled; Cement Supply Tender; Compressor, Common Receiver (2); Concrete Mixer (Two Bag and Over); Conveyor, Portable; Farm-Type Tractors Used for Mowing, Seeding, etc.; Fireman on Boilers; Forklift Trucks; Grouting Machine; Hoists, Automatic; Hoists, All Elevators; Hoists, Tugger Single Drum; Jeep Diggers; Low Boys; Pipe Jacking Machines; Post-Hole Digger; Power Saw, Concrete Power Driven; Pug Mills; Rollers, other than asphalt; Seed and Straw Blower; Steam Generators; Stump Machine; Winch Trucks with "A" Frame; Work Boats; Tamper - Form - Motor Driven.

Class 4. Air Compressor - Small and Large; Asphalt Spreader, Backend Man; Bobcat (Skid Steer) all; Brick Forklift; Combination - Small Equipment Operator; Directional Boring Machine up to 12"; Generators; Heaters, Mechanical; Hydraulic Power Unit (Pile Driving, Extracting, or Drilling); Hydro-Blaster; Light Plants, All (1 through 5); Pumps, over 3" (1 to 3 not to exceed a total of 300 ft.); Pumps, Well Points; Tractaire; Trencher 12" and under; Welding Machines (2 through 5); Winches, 4 Small Electric Drill Winches.

Class 5. Oilers and Directional Boring Machine Locator.

Class 6. Field Mechanics and Field Welders

Class 7. Gradall and machines of like nature.

OPERATING ENGINEERS - BUILDING (West)

Class 1. Shovel; Concrete Spreader; Dipper Dredge Operator; Dipper Dredge Crane man; Dual Purpose Truck (boom, Boom, Winch, etc.); Mechanic-Welder; Pile Driver; Boom Tractor or Side Boom; Trenching Machine (40 H.P. and over); Building Hoist (1, 2 or 3 drums); Cleaning and Priming Machine; Backfiller (throw bucket); Locomotive Engineer; Concrete Paver; Slip Form Paver; Caisson Augering Machines; Mucking Machine; Asphalt Heater-Planer Unit; Laser Screed; Pug Mill; Concrete Conveyor or Pump; Mechanical loaded Log Chippers or similar machines; Group Equipment Greaser; Off-Road Haul Units; Pipe Bending; Automatic Curbing Machines; Blastholer; Self-Propelled Rotary Drill or similar machines; Work Boat; Combination Concrete Finishing Machine and Float; Asphalt Paver Screed Operator; Forklift (6,000 lb. cap. or over or working heights 28 ft. and above); Chip Spreader; Straddle Carrier; Asphalt Paver; Asphalt Plant Operator; Boring Machine (Directional, Vertical, or Horizontal); Central Redi-Mix Plant Operator; Combination Backhoe Front End loader; Concrete Breaker or Hydro-Hammer (excluding walk-behinds); Concrete Wheel Saw (Large self-propelled - excluding walk-behinds); Crusher (Stone, Concrete, Asphalt, etc.); Curing-Tinning Machine; Excavator; Farm-type Tractor Operating Scoop or Scraper or with Power Attachment; Grader; Motor Grader; Motor Patrol; Auto Grader; Form Grader; Pull Grader; Sub Grader; Elevating Grader; Guard Rail Post Driver; Hoists; Hydraulic Dredge Leverman or Engineer; Hydro-Vac truck mounted or pull type (excluding hose work), and similar equipment; Loader (Track, Rubber Tire, or Articulated); Milling Machine (excluding walk-behinds); Road Widener-Shoulder Spreader; Scraper (Self-Propelled); Self-Propelled Roller or Tire Roller (on asphalt or Blacktop); Sheep Foot or Pad Foot Compactor (excluding walk-behinds); Steel Track-Type Tractor (Dozer, Push Cat, etc.); Transfer or Shuttle Buggy (excluding motorized wheel barrows and Georgia buggies).

Class 2. Asphalt Booster; Fireman and Pump Operator at Asphalt Plant; Mud Jack; Distributor; Self-propelled Roller (other than provided for in Class I); Pump Operator (more than one well-point pump); Trench Machine (under 40 H.P.); Forklift (less than 6,000 lb. cap. or working heights below 28 ft.); Gypsum Pump; Conveyor over 20 H.P.; Light Plant; Boiler (Engineer or Fireman); Mechanical Broom; Driver on Truck Crane or similar machines; Elevator (Permanent inside or Temporary outside); Farm-Type Tractor (without Power Attachment); Grout Pump (excluding hose work).

Class 3. Skid Loader; Oiler; Mechanic's Helper; Mechanical Heater (other than steam boiler); Small Outboard Motor Boat (Safety Boat and Life Boat); Engine Driven Welding Machine; Water Pumps; Air Compressor (400 c.f.m. or over); Deck Engineers.

Class 4. Leadman - Mechanic or Equipment Greaser.

Class 5. Track Excavator with Bucket (4 cubic yard and up to but not including 6 cubic yard).

Class 6. Track Excavator with Bucket (6 cubic yard and over).

Class 7. Crane (Friction or Hydraulic, regardless of size or

attachments); Tow or Push Boat.

OPERATING ENGINEERS- HIGHWAY (West)

Class 1. Shovel; Concrete Spreader; Dipper Dredge Operator; Dipper Dredge Crane man; Dual Purpose Truck (Boom, Winch, etc.); Mechanic-Welder; Pile Driver; Boom Tractor or Side Boom; Building Hoist (1, 2 or 3 drums); Cleaning and Priming Machine; Backfiller (throw bucket); Locomotive Engineer; Concrete Paver; Slip Form Paver; Caisson Augering Machines; Mucking Machine; Asphalt Heater Planer Unit; Laser Screed; Pug Mill; Concrete Conveyor or Pump (excluding truck-mounted); Mechanical loaded Log Chippers or similar machines; Group Equipment Greaser; off-road haul units; Pipe Bending; Automatic Curbing Machines; Blastholer; Self-propelled Rotary Drill or similar machines; Work Boat; Combination Concrete Finishing Machine and Float; Asphalt Paver Screed Operator; Forklift (6,000 lb. cap. or over or working heights above 28 ft.); Chip Spreader; Asphalt Paver; Asphalt Plant Operator; Boring Machine (Directional, Vertical, or Horizontal); Central Redi-Mix Plant Operator; Combination Backhoe Front End loader; Concrete Breaker or Hydro-Hammer (excluding walk-behinds); Concrete Wheel Saw (Large self-propelled - excluding walk-behinds); Crusher (Stone, Concrete, Asphalt, etc.); Curing-Tinning Machine; Excavator; Farm-Type Tractor Operating Scoop or Scraper with Power Attachment; Grader; Motor Grader; Motor Patrol; Auto Grader; Form Grader; Pull Grader; Sub Grader; Elevating Grader; Guard Rail Post Driver; Hoists; Hydraulic Dredge Leverman or Engineer; Hydro-Vac truck mounted or pull type, and similar equipment; Loader (Track, Rubber Tire, or Articulated); Milling Machine (excluding walk-behinds); Road Widener-Shoulder Spreader; Scraper (self-propelled); Self-propelled Roller or Tire Roller (on asphalt or Blacktop); Sheep Foot or Pad Foot Compactor (excluding walk-behinds); Steel Track-Type Tractor (Dozer, Push Cat, etc.); Transfer or Shuttle Buggy (excluding motorized wheel barrows and Georgia buggies); Trenching Machine (40 H.P. and over).

Class 2. Asphalt Booster; Fireman and Pump Operator at Asphalt Plant; Mud Jack; Farm-Type Tractor without Power attachment; Distributor; Straddle Carrier; Self-propelled Roller or Compactor (other than provided for in Class I); Pump Operator (more than one well-point pump); Trench Machine (under 40 H.P.); Forklift (less than 6,000 lb. capacity or working heights below 28 ft.); Conveyor over 20 H.P.; Air Compressor (400 c.f.m. or over); Light Plant; Boiler (Engineer or Fireman); Mechanical Broom; Driver on Truck Crane or similar machines; Elevator (Permanent inside or Temporary outside); Grout Pump (excluding hose work).

Class 3. Oiler; Mechanic's Helper; Mechanical Heater (other than steam boiler); Small Outboard Motor Boat (Safety Boat and Life Boat); Engine Driven Welding Machine; skid steer.

Class 4. Leadman - Mechanic or Equipment Greaser.

Class 5. Track Excavator with Bucket (4 cubic yard and up to but not including 6 cubic yard).

Class 6. Track Excavator with Bucket (6 cubic yard and over).

Class 7. Truck mounted Concrete Conveyor or Pumps Extending to 90 ft. or more.

Class 8. Crane (Friction or Hydraulic, regardless of size or attachments); Tow or Push Boat.

SURVEY WORKER - Operated survey equipment including data collectors, G.P.S. and robotic instruments, as well as conventional levels and transits.

TRUCK DRIVER - BUILDING, HEAVY AND HIGHWAY CONSTRUCTION

Class 1. Drivers on 2 axle trucks hauling less than 9 ton. Air compressor and welding machines and brooms, including those pulled by separate units, truck driver helpers, warehouse employees, mechanic helpers, greasers and tiremen, pickup trucks when hauling materials, tools, or workers to and from and on-the-job site, and fork lifts up to 6,000 lb. capacity.

Class 2. Two or three axle trucks hauling more than 9 ton but hauling less than 16 ton. A-frame winch trucks, hydrolift trucks, vactor trucks or similar equipment when used for transportation purposes. Fork lifts over 6,000 lb. capacity, winch trucks, four axle combination units, and ticket writers.

Class 3. Two, three or four axle trucks hauling 16 ton or more. Drivers on water pulls, articulated dump trucks, mechanics and working forepersons, and dispatchers. Five axle or more combination units.

Class 4. Low Boy and Oil Distributors.

Class 5. Drivers who require special protective clothing while employed on hazardous waste work.

TRUCK DRIVER - OIL AND CHIP RESEALING ONLY.

This shall encompass laborers, workers and mechanics who drive contractor or subcontractor owned, leased, or hired pickup, dump, service, or oil distributor trucks. The work includes transporting materials and equipment (including but not limited to, oils, aggregate supplies, parts, machinery and tools) to or from the job site; distributing oil or liquid asphalt and aggregate; stock piling material when in connection with the actual oil and chip contract. The Truck Driver (Oil & Chip Resealing) wage classification does not include supplier delivered materials.

Other Classifications of Work:

For definitions of classifications not otherwise set out, the Department generally has on file such definitions which are available. If a task to be performed is not subject to one of the classifications of pay set out, the Department will upon being contacted state which neighboring county has such a classification and provide such rate, such rate being deemed to exist by reference in this document. If no neighboring county rate applies to the task, the Department shall undertake a special determination, such special determination being then deemed to have existed under this determination. If a project requires these, or any classification not listed, please contact IDOL at 217-782-1710 for wage rates or clarifications.

LANDSCAPING

Landscaping work falls under the existing classifications for laborer, operating engineer and truck driver. The work performed by landscape plantsman and landscape laborer is covered by the existing

classification of laborer. The work performed by landscape operators (regardless of equipment used or its size) is covered by the classifications of operating engineer. The work performed by landscape truck drivers (regardless of size of truck driven) is covered by the classifications of truck driver.

MATERIAL TESTER & MATERIAL TESTER/INSPECTOR I AND II

Notwithstanding the difference in the classification title, the classification entitled "Material Tester I" involves the same job duties as the classification entitled "Material Tester/Inspector I". Likewise, the classification entitled "Material Tester II" involves the same job duties as the classification entitled "Material Tes

Carroll County Prevailing Wage for July 2014

(See explanation of column headings at bottom of wages)

Trade Name	RG	TYP	C	Base	FRMAN	M-F>8	OSA	OSH	H/W	Pensn	Vac	Trng
=====	==	===	=	=====	=====	=====	===	===	=====	=====	=====	=====
ASBESTOS ABT-GEN		BLD		31.620	32.620	1.5	1.5	2.0	8.240	13.72	0.000	0.800
ASBESTOS ABT-MEC		BLD		21.500	22.500	1.5	2.0	2.0	6.500	4.250	0.000	0.650
BOILERMAKER		BLD		36.750	39.750	2.0	2.0	2.0	7.070	15.84	0.000	0.350
BRICK MASON		BLD		37.050	39.800	1.5	1.5	2.0	9.230	12.57	0.000	0.640
CARPENTER		BLD		32.040	35.560	1.5	1.5	2.0	9.430	14.87	0.000	0.600
CARPENTER		HWY		34.880	36.630	1.5	1.5	2.0	10.50	14.00	0.000	0.490
CEMENT MASON		ALL		33.500	36.250	1.5	1.5	2.0	8.600	15.47	0.000	0.500
CERAMIC TILE FNSHER		BLD		32.850	0.000	1.5	1.5	2.0	8.600	5.210	0.000	0.560
COMMUNICATION TECH	E	BLD		36.440	40.080	1.5	1.5	2.0	10.39	12.09	0.000	0.760
ELECTRIC PWR EQMT OP		ALL		37.890	51.480	1.5	1.5	2.0	5.000	11.75	0.000	0.380
ELECTRIC PWR GRNDMAN		ALL		29.300	51.480	1.5	1.5	2.0	5.000	9.090	0.000	0.290
ELECTRIC PWR LINEMAN		ALL		45.360	51.480	1.5	1.5	2.0	5.000	14.06	0.000	0.450
ELECTRIC PWR TRK DRV		ALL		30.340	51.480	1.5	1.5	2.0	5.000	9.400	0.000	0.300
ELECTRICIAN	E	BLD		42.960	47.260	1.5	1.5	2.0	10.39	17.47	0.000	0.860
ELECTRICIAN	W	BLD		32.000	34.000	1.5	1.5	2.0	7.490	11.25	0.000	0.310
ELECTRONIC SYS TECH	W	BLD		24.000	25.750	1.5	1.5	2.0	7.270	5.470	0.000	0.310
ELEVATOR CONSTRUCTOR		BLD		46.050	51.810	2.0	2.0	2.0	12.73	13.46	3.680	0.600
GLAZIER		BLD		23.820	25.320	1.5	1.5	2.0	6.940	6.920	0.000	0.450
HT/FROST INSULATOR		BLD		29.760	30.960	1.5	1.5	2.0	5.450	12.05	0.000	0.900
IRON WORKER	E	ALL		36.290	38.100	2.0	2.0	2.0	8.640	22.69	0.000	0.500
IRON WORKER	W	ALL		29.000	31.320	1.5	1.5	2.0	9.390	10.93	0.000	0.690
LABORER		BLD		31.620	32.620	1.5	1.5	2.0	8.240	13.72	0.000	0.800
LABORER		HWY		36.300	37.050	1.5	1.5	2.0	8.240	13.72	0.000	0.800
LABORER, SKILLED		HWY		38.900	39.650	1.5	1.5	2.0	8.240	13.72	0.000	0.800
LATHER		BLD		32.040	35.560	1.5	1.5	2.0	9.430	14.87	0.000	0.600
MACHINIST		BLD		44.350	46.850	1.5	1.5	2.0	6.760	8.950	1.850	0.000
MARBLE FINISHERS		BLD		32.850	0.000	1.5	1.5	2.0	8.600	5.210	0.000	0.560
MARBLE MASON		BLD		35.530	35.780	1.5	1.5	2.0	8.600	7.520	0.000	0.590
MATERIAL TESTER I		ALL		21.550	0.000	1.5	1.5	2.0	7.460	4.840	0.000	0.170
MATERIALS TESTER II		ALL		26.550	0.000	1.5	1.5	2.0	7.460	4.840	0.000	0.170
MILLWRIGHT		BLD		29.820	32.800	1.5	1.5	2.0	6.900	12.32	0.000	0.500
OPERATING ENGINEER		BLD	1	41.800	45.800	2.0	2.0	2.0	16.65	10.30	2.350	1.000
OPERATING ENGINEER		BLD	2	41.100	45.800	2.0	2.0	2.0	16.65	10.30	2.350	1.000
OPERATING ENGINEER		BLD	3	38.650	45.800	2.0	2.0	2.0	16.65	10.30	2.350	1.000
OPERATING ENGINEER		BLD	4	36.650	45.800	2.0	2.0	2.0	16.65	10.30	2.350	1.000
OPERATING ENGINEER		BLD	5	46.550	46.800	2.0	2.0	2.0	17.10	11.05	0.000	1.300
OPERATING ENGINEER		BLD	6	45.800	46.800	2.0	2.0	2.0	17.10	11.05	0.000	1.300
OPERATING ENGINEER		BLD	7	42.800	46.800	2.0	2.0	2.0	17.10	11.05	0.000	1.300
OPERATING ENGINEER		HWY	1	42.650	46.650	1.5	1.5	2.0	17.10	11.05	0.000	1.300
OPERATING ENGINEER		HWY	2	42.100	46.650	1.5	1.5	2.0	17.10	11.05	0.000	1.300
OPERATING ENGINEER		HWY	3	40.800	46.650	1.5	1.5	2.0	17.10	11.05	0.000	1.300
OPERATING ENGINEER		HWY	4	39.350	46.650	1.5	1.5	2.0	17.10	11.05	0.000	1.300
OPERATING ENGINEER		HWY	5	37.900	46.650	1.5	1.5	2.0	17.10	11.05	0.000	1.300
OPERATING ENGINEER		HWY	6	45.650	46.650	1.5	1.5	2.0	17.10	11.05	0.000	1.300
OPERATING ENGINEER		HWY	7	43.650	46.650	1.5	1.5	2.0	17.10	11.05	0.000	1.300
PAINTER		ALL		27.320	28.320	1.5	1.5	1.5	5.250	6.350	0.000	0.600
PAINTER OVER 30FT		ALL		28.570	29.570	1.5	1.5	1.5	5.250	6.350	0.000	0.600
PAINTER PWR EQMT		ALL		27.820	28.820	1.5	1.5	1.5	5.250	6.350	0.000	0.600
PILEDRIVER		BLD		33.040	36.670	1.5	1.5	2.0	9.430	14.87	0.000	0.600
PILEDRIVER		HWY		34.880	36.630	1.5	1.5	2.0	10.50	14.00	0.000	0.490
PIPEFITTER	E	BLD		42.100	45.050	1.5	1.5	2.0	7.980	11.04	0.000	1.000
PIPEFITTER	W	ALL		36.650	40.320	1.5	1.5	2.0	5.800	12.35	0.000	1.050
PLASTERER		BLD		34.280	37.710	1.5	1.5	2.0	9.050	12.55	0.000	0.500
PLUMBER	E	BLD		42.100	45.050	1.5	1.5	2.0	7.980	11.04	0.000	1.000
PLUMBER	W	ALL		36.650	40.320	1.5	1.5	2.0	5.800	12.35	0.000	1.050
ROOFER		BLD		39.700	42.700	1.5	1.5	2.0	8.280	10.06	0.000	0.530

SHEETMETAL WORKER	BLD	37.400	39.330	1.5	1.5	2.0	5.700	16.50	0.520	0.290
SPRINKLER FITTER	BLD	37.120	39.870	1.5	1.5	2.0	8.420	8.500	0.000	0.350
STONE MASON	BLD	37.050	39.800	1.5	1.5	2.0	9.230	12.57	0.000	0.640
SURVEY WORKER-> NOT IN EFFECT		36.830	37.580	1.5	1.5	2.0	8.240	12.84	0.000	0.800
TERRAZZO FINISHER	BLD	32.850	0.000	1.5	1.5	2.0	8.600	5.210	0.000	0.560
TERRAZZO MASON	BLD	35.530	35.780	1.5	1.5	2.0	8.600	7.520	0.000	0.590
TILE LAYER	BLD	32.040	35.560	1.5	1.5	2.0	9.430	14.87	0.000	0.600
TILE MASON	BLD	35.530	35.780	1.5	1.5	2.0	8.600	7.520	0.000	0.590
TRUCK DRIVER	ALL 1	31.230	0.000	1.5	1.5	2.0	10.30	4.840	0.000	0.250
TRUCK DRIVER	ALL 2	31.680	0.000	1.5	1.5	2.0	10.30	4.840	0.000	0.250
TRUCK DRIVER	ALL 3	31.890	0.000	1.5	1.5	2.0	10.30	4.840	0.000	0.250
TRUCK DRIVER	ALL 4	32.180	0.000	1.5	1.5	2.0	10.30	4.840	0.000	0.250
TRUCK DRIVER	ALL 5	33.020	0.000	1.5	1.5	2.0	10.30	4.840	0.000	0.250
TRUCK DRIVER	O&C 1	24.980	0.000	1.5	1.5	2.0	10.30	4.840	0.000	0.250
TRUCK DRIVER	O&C 2	25.340	0.000	1.5	1.5	2.0	10.30	4.840	0.000	0.250
TRUCK DRIVER	O&C 3	25.510	0.000	1.5	1.5	2.0	10.30	4.840	0.000	0.250
TRUCK DRIVER	O&C 4	25.740	0.000	1.5	1.5	2.0	10.30	4.840	0.000	0.250
TRUCK DRIVER	O&C 5	26.420	0.000	1.5	1.5	2.0	10.30	4.840	0.000	0.250
TUCKPOINTER	BLD	37.050	39.800	1.5	1.5	2.0	9.230	12.57	0.000	0.640

Legend: RG (Region)

TYP (Trade Type - All,Highway,Building,Floating,Oil & Chip,Rivers)

C (Class)

Base (Base Wage Rate)

FRMAN (Foreman Rate)

M-F>8 (OT required for any hour greater than 8 worked each day, Mon through Fri.

OSA (Overtime (OT) is required for every hour worked on Saturday)

OSH (Overtime is required for every hour worked on Sunday and Holidays)

H/W (Health & Welfare Insurance)

Pensn (Pension)

Vac (Vacation)

Trng (Training)

Explanations

CARROLL COUNTY

COMMUNICATIONS TECHNICIAN (EAST) - Townships of Cherry Grove, Rock Creek, Shannon, Wysox, Lima, and Elkhorn Grove.

ELECTRICIANS (EAST) - Townships of Cherry Grove, Shannon, Rock Creek, Lima, Wysox, and Elkhorn Grove.

IRONWORKERS (EAST) - That part of the county East of a line between Fair Haven and Derinda Center (JoDaviess County).

PLUMBERS & PIPEFITTERS (EAST) - That part of the county East of Rt. 78 and including Mt. Carroll.

ELECTRONIC SYSTEMS TECHNICIAN -(WEST) - Portion west of Cherry Grove, Rock Creek and Wysox Townships.

The following list is considered as those days for which holiday rates of wages for work performed apply: New Years Day, Memorial Day, Fourth of July, Labor Day, Thanksgiving Day, Christmas Day and Veterans Day in some classifications/counties. Generally, any of these holidays which fall on a Sunday is celebrated on the following Monday. This then makes work performed on that Monday payable at the appropriate overtime rate for holiday pay. Common practice in a given local may alter certain days of celebration. If in doubt, please check with IDOL.

Oil and chip resealing (O&C) means the application of road oils and liquid asphalt to coat an existing road surface, followed by application of aggregate chips or gravel to coated surface, and subsequent rolling of material to seal the surface.

EXPLANATION OF CLASSES

ASBESTOS - GENERAL - removal of asbestos material/mold and hazardous materials from any place in a building, including mechanical systems where those mechanical systems are to be removed. This includes the removal of asbestos materials/mold and hazardous materials from ductwork or pipes in a building when the building is to be demolished at the time or at some close future date.

ASBESTOS - MECHANICAL - removal of asbestos material from mechanical systems, such as pipes, ducts, and boilers, where the mechanical systems are to remain.

CERAMIC TILE FINISHER, MARBLE FINISHER, TERRAZZO FINISHER

Assisting, helping or supporting the tile, marble and terrazzo mechanic by performing their historic and traditional work assignments required to complete the proper installation of the work covered by said crafts. The term "Ceramic" is used for naming the classification only and is in no way a limitation of the product handled. Ceramic takes into consideration most hard tiles.

COMMUNICATIONS TECHNICIAN - East

Installing, manufacturing, assembling and maintaining sound and intercom, protection alarm (security), fire alarm, master antenna television, closed circuit television, low voltage control for computers and/or door monitoring, school communications systems, telephones and servicing of nurse and emergency calls, and the installation and maintenance of transmit and receive antennas, transmitters, receivers, and associated apparatus which operates in conjunction with above systems. All work associated with these system installations will be included EXCEPT the installation of protective metallic conduit in new construction projects (excluding less than ten-foot runs strictly for protection of cable) and 120 volt AC (or higher) power wiring and associated hardware.

ELECTRONIC SYSTEMS TECHNICIAN - West

Installing, assembling and maintaining sound and intercom, protection alarm (security), master antenna television, closed circuit television, computer hardware and software programming and installation to the network's outlet and input (EXCLUDING all

cablings, power and cable termination work historically performed by wiremen), door monitoring and control, nurse and emergency call programming and installation to the system's outlet and input (EXCLUDING all cabling, power and cable termination work historically performed by wiremen), clock and timing; and the installation and maintenance of transmit and receive antennas, transmitters, receivers, and associated apparatus which operates in conjunction with the above systems. All work associated with these system installations will be included EXCEPT (1) installation of protective metallic conduit, excluding less than ten-foot runs strictly for protection of cable, and (2) 120 volt AC (or higher) power wiring and associated hardware.

LABORER, SKILLED - HIGHWAY

Individuals engaged in the following types of work, irrespective of the site of the work: asbestos abatement worker, handling of any materials with any foreign matter harmful to skin or clothing, track laborer, cement handlers, chloride handlers, the unloading and loading with steel workers and re-bars, concrete workers wet, tunnel helpers in free air, batch dumpers, mason tenders, kettle and tar men, tank cleaners, plastic installers, scaffold workers, motorized buggies or motorized unit used for wet concrete or handling of building materials, laborers with de-watering systems, sewer workers plus depth, rod and chainmen with technical engineers, rod and chainmen with land surveyors, rod and chainmen with surveyors, vibrator operators, cement silica, clay, fly ash, lime and plasters, handlers (bulk or bag), cofferdam workers plus depth, on concrete paving, placing, cutting and tying of reinforcing, deck hand, dredge hand, and shore laborers, bankmen on floating plant, grade checker, power tools, front end man on chip spreaders, cession workers plus depth, gunnite nozzle men, lead man on sewer work, welders, cutters, burners and torchmen, chainsaw operators, jackhammer and drill operators, layout man and/or drainage tile layer, steel form setter - street and highway, air tamping hammermen, signal man on crane, concrete saw operator, screedman on asphalt pavers, laborers tending masons with hot material or where foreign materials are used, mortar mixer operators, multiple concrete duct - leadsman, lumen, asphalt raker, curb asphalt machine operator, ready mix scalemen (permanent, portable or temporary plant), laborers handling masterplate or similar materials, laser beam operator, concrete burning machine operator, coring machine operator, plaster tender, underpinning and shoring of buildings, pump men, manhole and catch basin, dirt and stone tamper, hose men on concrete pumps, hazardous waste worker, lead base paint abatement worker, lining of pipe, refusing machine, assisting on direct boring machine, the work of laying watermain, fire hydrants, all mechanical joints to watermain work, sewer worker, and tapping water service and forced lift station mechanical worker.

MATERIAL TESTER I: Hand coring and drilling for testing of materials; field inspection of uncured concrete and asphalt.

MATERIAL TESTER II: Field inspection of welds, structural steel, fireproofing, masonry, soil, facade, reinforcing steel, formwork, cured concrete, and concrete and asphalt batch plants; adjusting proportions of bituminous mixtures.

OPERATING ENGINEERS - BUILDING

Class 1. Asphalt Plant; Asphalt Spreader; Autograde; Backhoes with Caisson Attachment; Batch Plant; Benoto (requires Two Engineers); Boiler and Throttle Valve; Caisson Rigs; Central Redi-Mix Plant; Combination Back Hoe Front End-loader Machine; Compressor and Throttle

Valve; Concrete Breaker (Truck Mounted); Concrete Conveyor; Concrete Paver (over 27E cu. ft.); Concrete Paver (27 cu. ft. and under); Concrete Placer; Concrete Pump (Truck Mounted); Concrete Conveyor (Truck Mounted); Concrete Tower; Cranes, All; GCI and similar types (required two operators only); Cranes, Hammerhead; Creter Crane; Crusher, Stone, etc.; Derricks, All; Derricks, Traveling; Formless Curb and Gutter Machine; Grader, Elevating; Grouting Machines; Highlift Shovels or Front Endloader 2-1/4 yd. and over; Hoists, Elevators, outside type rack and pinion and similar machines; Hoists, one, two and three Drum; Hoists, Two Tugger One Floor; Hydraulic Backhoes; Hydraulic Boom Trucks; Hydro Vac (and similar equipment - excluding hose work and any sewer work); Locomotives, All; Lubrication Technician; Manipulators; Motor Patrol; Pile Drivers and Skid Rig; Post Hole Digger; Pre-Stress Machine; Pump Cretes Dual Ram; Pump Cretes: Squeeze Cretes - Screw Type Pumps, Gypsum Bulker and Pump; Raised and Blind Hole Drill; Rock Drill (self-propelled); Rock Drill - Truck Mounted; Roto Mill Grinder; Scoops - Tractor Drawn; Slipform Paver; Scrapers Prime Movers; Straddle Buggies; Tie Back Machine; Tractor with Boom and Side Boom; Trenching Machines.

Class 2. Bobcat (over 3/4 cu. yd.); Boilers; Brick Forklift; Broom, All Power Propelled; Bulldozers; Concrete Mixer (Two Bag and Over); Conveyor, Portable; Forklift Trucks; Highlift Shovels or Front Endloaders under 2-1/4 yd.; Hoists, Automatic; Hoists, Sewer Dragging Machine; Hoists, Tugger Single Drum; Laser Screed; Rollers, All; Steam Generators; Tractors, All; Tractor Drawn Vibratory Roller; Winch Trucks with "A" Frame.

Class 3. Air Compressor; Asphalt Spreader; Combination - Small Equipment Operator; Generators; Heaters, Mechanical; Hoists, Inside Elevators - (Rheostat Manual Controlled); Hydraulic Power Units (Pile Driving, Extracting, or Drilling - with a seat); Lowboys; Pumps, Over 3" (1 to 3 not to exceed total of 300 ft.); Pumps, Well Points; Welding Machines (2 through 5); Winches, 4 Small Electric Drill Winches; Bobcat (up to and including 3/4 cu. yd.).

Class 4. Elevator push button with automatic doors; Hoists, Inside; Oilers; Brick Forklift.

Class 5. Assistant Craft Foreman

Class 6. Mechanics; Welders.

Class 7. Gradall

OPERATING ENGINEERS - HIGHWAY CONSTRUCTION

Class 1. Asphalt Plant; Asphalt Heater and Planer Combination; Asphalt Heater Scarfire; Asphalt Silo Tender; Asphalt Spreader; Autograder; ABG Paver; Backhoes with Caisson Attachment; Ballast Regulator; Belt Loader; Caisson Rigs; Car Dumper; Central Redi-Mix Plant; Backhoe w/shear attachments; Combination Backhoe Front Endloader Machine, (1 cu. yd. Backhoe Bucket or over or with attachments); Concrete Breaker (Truck Mounted); Concrete Conveyor; Concrete Paver over 27E cu. ft.; Concrete Placer; Concrete Tube Float; Cranes, all attachments; Cranes, Tower of all types; Creter Crane; Crusher, Stone, etc.; Derricks, All; Derrick Boats; Derricks, Traveling; Directional Boring Machine over 12"; Dredges; Formless Curb and Gutter Machine; Grader, Elevating; Grader, Motor Grader, Motor Patrol, Auto Patrol, Form Grader, Pull Grader, Subgrader; Guard Rail Post Driver Mounted; Hoists, One, Two and Three Drum; Hydraulic Backhoes; Hydro Vac, Self Propelled, Truck Mounted (excluding hose work and any sewer work);

Lubrication Technician; Manipulators; Pile Drivers and Skid Rig; Pre-Stress Machine; Pump Cretes Dual Ram; Rock Drill - Crawler or Skid Rig; Rock Drill - Truck Mounted; Rock/Track Tamper; Roto Mill Grinder; Slip-Form Paver; Snow Melters; Soil Test Drill Rig (Truck Mounted); Straddle Buggies; GCI Crane; Hydraulic Telescoping Form (Tunnel); Tie Back Machine; Tractor Drawn Belt Loader; Tractor Drawn Belt Loader with attached pusher; Tractor with Boom; Tractaire with Attachments; Traffic Barrier Conveyor Machine; Raised or Blind Hole Drills; Trenching Machine (over 12"); Truck Mounted Concrete Pump with Boom; Truck Mounted Concrete Conveyor; Work Boat (no license required - 90 h.p. or above); Underground Boring and/or Mining Machines; Wheel Excavator; Widener (APSCO).

Class 2. Batch Plant; Bituminous Mixer; Boiler and Throttle Valve; Bulldozers; Car Loader Trailing Conveyors; Combination Backhoe Front Endloader Machine (less than 1 cu. yd. Backhoe Bucket or over or with attachments); Compressor and Throttle Valve; Compressor, Common Receiver (3); Concrete Breaker or Hydro Hammer; Concrete Grinding Machine; Concrete Mixer or Paver 7S Series to and including 27 cu. ft.; Concrete Spreader; Concrete Curing Machine, Burlap Machine, Belting Machine and Sealing Machine; Concrete Wheel Saw (large self-propelled - excluding walk-behinds and hand-held); Conveyor Muck Cars (Haglund or Similar Type); Drills, all; Finishing Machine - Concrete; Highlift Shovels or Front Endloader; Hoist - Sewer Dragging Machine; Hydraulic Boom Trucks (All Attachments); Hydro Blaster; All Locomotives, Dinky; Off-Road Hauling Units; Non-Self Loading Dump; Ejection Dump; Pump Cretes: Squeeze Cretes - Screw Type Pumps, Gypsum Bulker and Pump; Roller, Asphalt; Rotary Snow Plows; Rototiller, Seaman, etc., self-propelled; Scoops - Tractor Drawn; Self-Propelled Compactor; Spreader - Chip - Stone, etc.; Scraper; Scraper - Prime Mover in Tandem (Regardless of Size); Tank Car Heater; Tractors, Push, Pulling Sheeps Foot, Disc, Compactor, etc.; Tug Boats.

Class 3. Boilers; Brooms, All Power Propelled; Cement Supply Tender; Compressor, Common Receiver (2); Concrete Mixer (Two Bag and Over); Conveyor, Portable; Farm-Type Tractors Used for Mowing, Seeding, etc.; Fireman on Boilers; Forklift Trucks; Grouting Machine; Hoists, Automatic; Hoists, All Elevators; Hoists, Tugger Single Drum; Jeep Diggers; Low Boys; Pipe Jacking Machines; Post-Hole Digger; Power Saw, Concrete Power Driven; Pug Mills; Rollers, other than asphalt; Seed and Straw Blower; Steam Generators; Stump Machine; Winch Trucks with "A" Frame; Work Boats; Tamper - Form - Motor Driven.

Class 4. Air Compressor - Small and Large; Asphalt Spreader, Backend Man; Bobcat (Skid Steer) all; Brick Forklift; Combination - Small Equipment Operator; Directional Boring Machine up to 12"; Generators; Heaters, Mechanical; Hydraulic Power Unit (Pile Driving, Extracting, or Drilling); Hydro-Blaster; Light Plants, All (1 through 5); Pumps, over 3" (1 to 3 not to exceed a total of 300 ft.); Pumps, Well Points; Tractaire; Trencher 12" and under; Welding Machines (2 through 5); Winches, 4 Small Electric Drill Winches.

Class 5. Oilers and Directional Boring Machine Locator.

Class 6. Field Mechanics and Field Welders

Class 7. Gradall and machines of like nature.

SURVEY WORKER - Operated survey equipment including data collectors, G.P.S. and robotic instruments, as well as conventional levels and transits.

TRUCK DRIVER - BUILDING, HEAVY AND HIGHWAY CONSTRUCTION

Class 1. Drivers on 2 axle trucks hauling less than 9 ton. Air compressor and welding machines and brooms, including those pulled by separate units, truck driver helpers, warehouse employees, mechanic helpers, greasers and tiremen, pickup trucks when hauling materials, tools, or workers to and from and on-the-job site, and fork lifts up to 6,000 lb. capacity.

Class 2. Two or three axle trucks hauling more than 9 ton but hauling less than 16 ton. A-frame winch trucks, hydrolift trucks, vactor trucks or similar equipment when used for transportation purposes. Fork lifts over 6,000 lb. capacity, winch trucks, four axle combination units, and ticket writers.

Class 3. Two, three or four axle trucks hauling 16 ton or more. Drivers on water pulls, articulated dump trucks, mechanics and working forepersons, and dispatchers. Five axle or more combination units.

Class 4. Low Boy and Oil Distributors.

Class 5. Drivers who require special protective clothing while employed on hazardous waste work.

TRUCK DRIVER - OIL AND CHIP RESEALING ONLY.

This shall encompass laborers, workers and mechanics who drive contractor or subcontractor owned, leased, or hired pickup, dump, service, or oil distributor trucks. The work includes transporting materials and equipment (including but not limited to, oils, aggregate supplies, parts, machinery and tools) to or from the job site; distributing oil or liquid asphalt and aggregate; stock piling material when in connection with the actual oil and chip contract. The Truck Driver (Oil & Chip Resealing) wage classification does not include supplier delivered materials.

Other Classifications of Work:

For definitions of classifications not otherwise set out, the Department generally has on file such definitions which are available. If a task to be performed is not subject to one of the classifications of pay set out, the Department will upon being contacted state which neighboring county has such a classification and provide such rate, such rate being deemed to exist by reference in this document. If no neighboring county rate applies to the task, the Department shall undertake a special determination, such special determination being then deemed to have existed under this determination. If a project requires these, or any classification not listed, please contact IDOL at 217-782-1710 for wage rates or clarifications.

LANDSCAPING

Landscaping work falls under the existing classifications for laborer, operating engineer and truck driver. The work performed by landscape plantsman and landscape laborer is covered by the existing classification of laborer. The work performed by landscape operators (regardless of equipment used or its size) is covered by the classifications of operating engineer. The work performed by landscape truck drivers (regardless of size of truck driven) is covered by the classifications of truck driver.