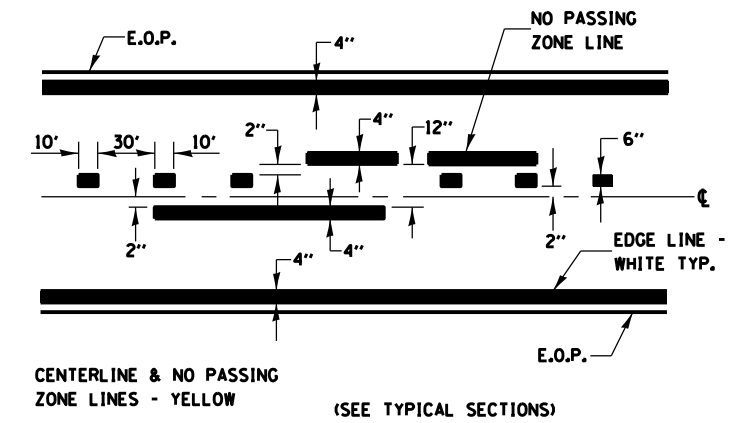


TYPICAL SPACING DETAIL FOR CROSSWALKS AND STOP BARS

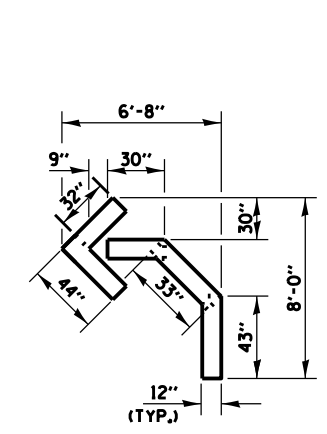


PAVEMENT MARKING

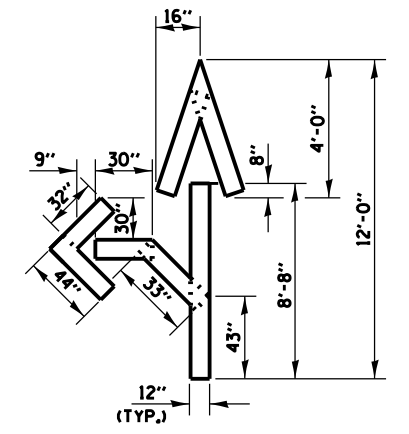
TEMPORARY INFORMATION SIGNING

NOTES:

1. USE 6" D BLACK LETTERING ON FLOURESENT ORANGE BACKGROUND.
2. ERECT SIGNS AT LOCATIONS IN ADVANCE OF THE "ROAD CONSTRUCTION AHEAD" SIGNS AS DIRECTED BY THE ENGINEER.
3. ERECT SIGN ① WITH INSTALLED PANEL ② A MINIMUM OF ONE WEEK PRIOR TO THE START OF THE LANE CLOSURE.
4. REMOVE PANEL ② ON THAT DATE.
5. SEE SPECIAL PROVISION "TEMPORARY INFORMATION SIGNING" FOR ADDITIONAL INFORMATION.
6. WILL BE PAID FOR PER SO FT AS "TEMPORARY INFORMATION SIGNING". EACH SIGN = 21 SO FT AND THE DATE PANEL ② WILL NOT BE MEASURED SEPARATELY FOR PAYMENT.



QUANTITY
12" LINE = 16 LIN. FT.
OR 4" LINE = 48 LIN. FT.



QUANTITY
12" LINE = 29 LIN. FT.
OR 4" LINE = 87 LIN. FT.

FILE NAME =	USER NAME = #USER#	DESIGNED -	REVISED -	STATE OF ILLINOIS DEPARTMENT OF TRANSPORTATION	DETAILS		F.A.S. RTE.	SECTION	COUNTY	TOTAL SHEETS	SHEET NO.
#FILEL#	PLOT SCALE = #SCALE#	DRAWN -	REVISED -				1248	(11)YRS-1 & (11)YRS-3	BUREAU	16	16
#MODELNAME#	PLOT DATE = #DATE#	CHECKED -	REVISED -		CONTRACT NO. 66924						
					SCALE: _____	SHEET _____	OF _____	SHEETS	STA. _____	TO STA. _____	ILLINOIS FED. AID PROJECT