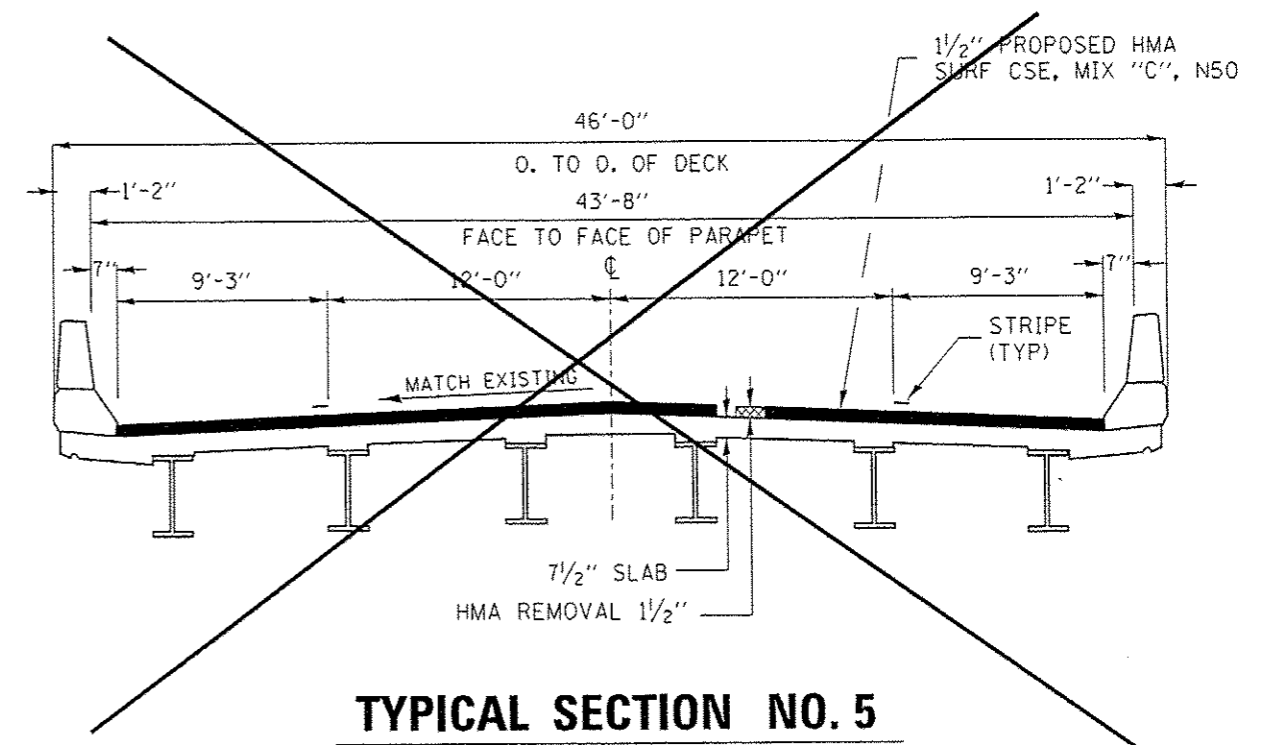


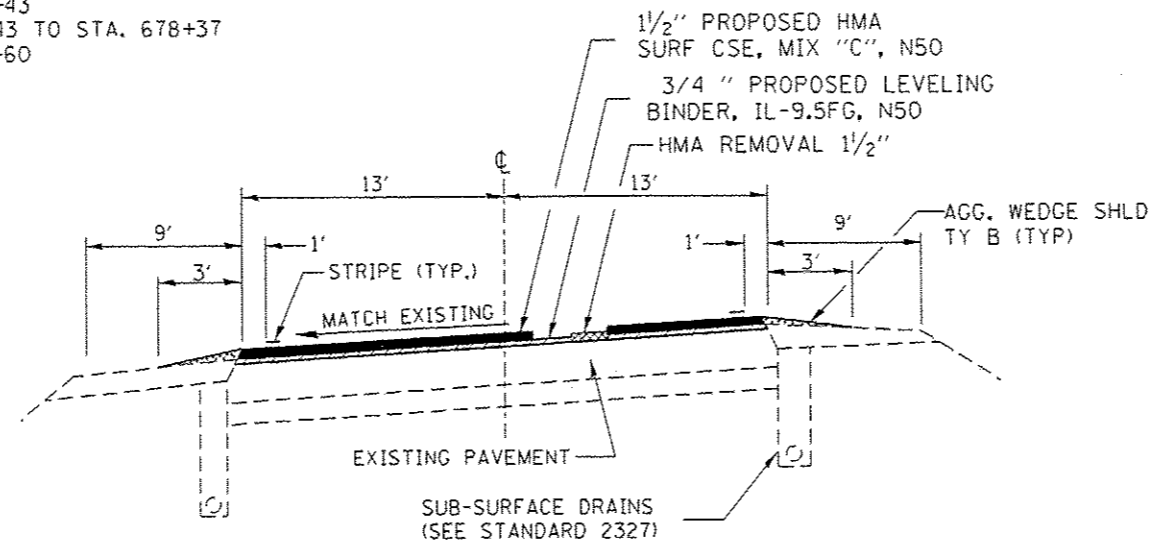
TYPICAL SECTION NO. 4

STA. 258+55 TO STA. 279+47.03
 BRIDGE OMISSION SN. 053-0153 STA. 279+47.03 TO STA. 281+62.97
 STA. 281+62.97 TO STA. 296+28.07
 STA. 296+64.47 TO STA. 407+40
 STA. 409+40 TO STA. 443+76
 STA. 491+94 TO STA. 526+71
 BRIDGE OMISSION SN. 053-0183 STA. 526+71 TO STA. 533+32
 STA. 533+32 TO STA. 591+22
 STA. 613+81 TO STA. 618+00
 BRIDGE OMISSION SN. 053-0189 STA. 618+00 TO STA. 630+00
 STA. 647+78 TO STA. 674+43
 BRIDGE OMISSION SN. 053-0177 STA. 674+43 TO STA. 678+37
 STA. 678+37 TO STA. 746+60



TYPICAL SECTION NO. 5

BRIDGE S.N. 053-0154 STA. 407+40 TO STA. 409+40
 BRIDGE OMISSION



TYPICAL SECTION NO. 6

STA. 443+76 TO STA. 445+76 (TRANSITION)
 STA. 445+76 TO STA. 475+33 (FULL SUPERELEVATION)
 STA. 475+33 TO STA. 475+99.65 (TRANSITION)
 STA. 490+60.27 TO STA. 491+94 (TRANSITION)
 STA. 630+00 TO STA. 641+45 (FULL SUPERELEVATION)
 STA. 641+45 TO STA. 642+11.58 (TRANSITION)
 STA. 646+44.95 TO STA. 647+78 (TRANSITION)

STATION EQUATIONS

STA 296+28.07 (BK) = STA 296+64.47 (AH)
 STA 475+99.65 (BK) = STA 490+60.27 (AH)
 STA 642+11.58 (BK) = STA 646+44.95 (AH)

FILE NAME =	USER NAME = lukkaridp	DESIGNED -	REVISED -	STATE OF ILLINOIS DEPARTMENT OF TRANSPORTATION	TYPICAL SECTIONS			F.A.P. RTE.	SECTION	COUNTY	TOTAL SHEETS	SHEET NO.
et\pvc_work\pvcidat\lukkaridp\d2287862\0346885-ahs-typical1a.dgn		DRAWN -	REVISED -		68	(101,102)RS-3	LIVINGSTON	22	8			
PLOT SCALE = 1/8" = 1'-0"		CHECKED -	REVISED -		SCALE: SHEET NO. OF SHEETS STA. TO STA.			CONTRACT NO. 66B85				
PLOT DATE = 6/25/2014		DATE -	REVISED -		ILLINOIS FED. AID PROJECT							