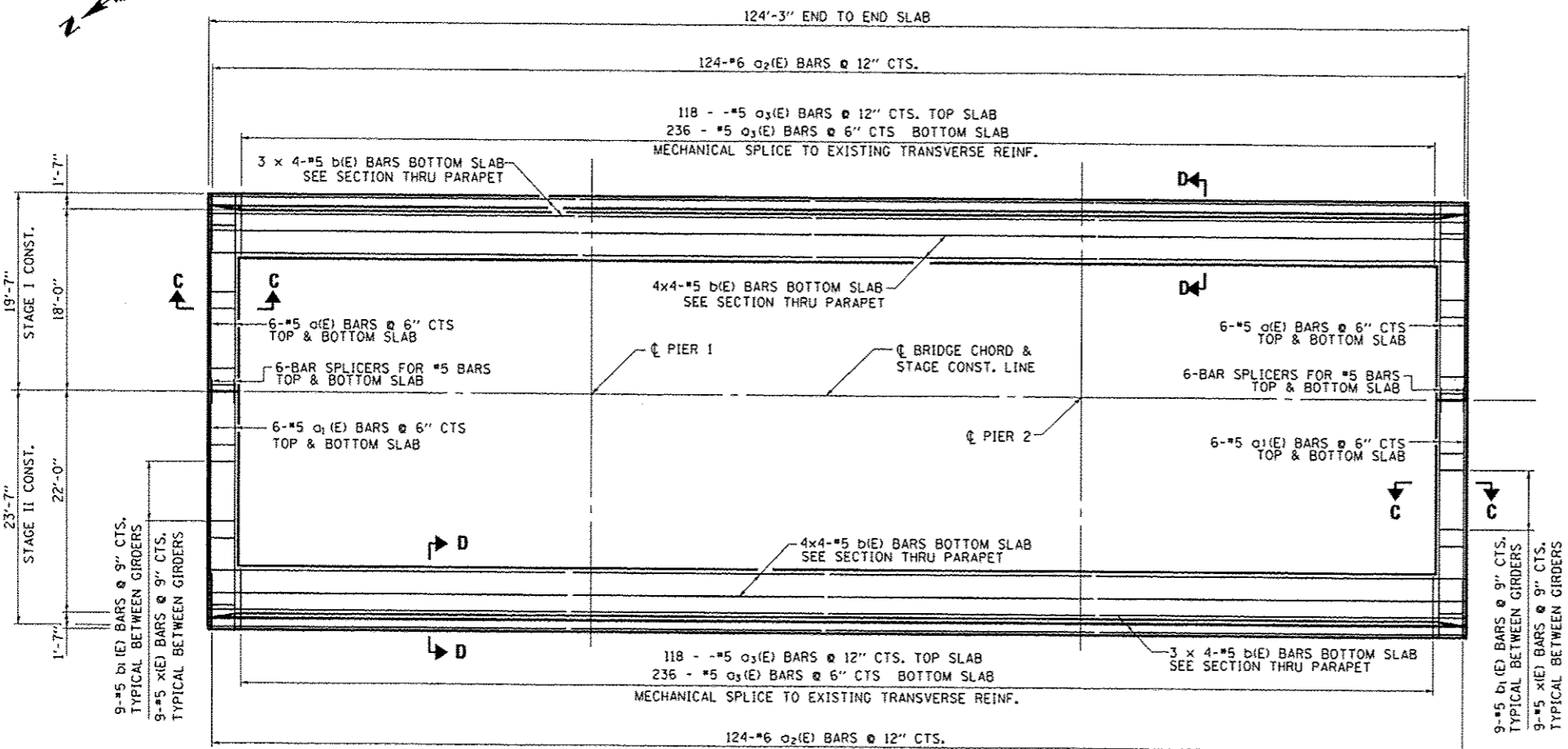


**ELEVATION OF PARAPET**

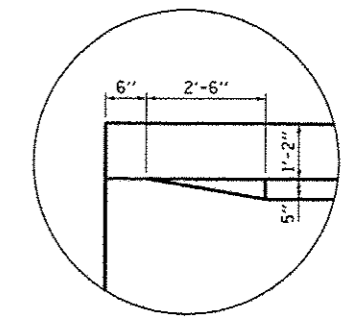


**PLAN SHOWING DECK REINFORCEMENT**

SOUTHBOUND STRUCTURE (038-0155) SHOWN  
NORTHBOUND STRUCTURE (038-0156) SIMILAR  
THRU 180 DEG. ROTATION ABOUT CENTERLINE OF FAI 57

**MINIMUM BAR LAP**

- #4 BAR = 2'-0"
- #5 BAR = 2'-6"
- #8 BAR = 5'-2"



**CORNER DETAIL (TYPICAL)**

**TWO SUPERSTRUCTURES BILL OF MATERIAL**

BAR	NO.	SIZE	LENGTH	SHAPE
a(E)	48	5	19'-4"	
a1(E)	48	5	23'-4"	
a2(E)	496	6	5'-10"	
a3(E)	1416	5	5'-8"	
b(E)	112	5	32'-10"	
b1(E)	180	5	2'-9"	
d(E)	496	5	5'-7"	
d1(E)	496	5	7'-6"	
e(E)	112	4	18'-9"	
e1(E)	56	4	23'-10"	
e2(E)	16	8	20'-0"	
e3(E)	8	8	23'-10"	
e4(E)	16	4	21'-7"	
e5(E)	8	4	23'-10"	
h(E)	24	6	19'-4"	
h1(E)	24	6	23'-4"	
u(E)	168	4	2'-11"	
x(E)	180	5	4'-11"	
CONCRETE REMOVAL				178.4
CONCRETE SUPERSTRUCTURE				197
REINFORCEMENT BARS				60940
EPOXY COATED				
BAR SPLICERS				72
MECHANICAL SPLICERS				1416
PREFORMED JOINT STRIP SEAL				176
FLOOR DRAINS				36