

STANDARD BAR SPLICER ASSEMBLY

Minimum Lap Lengths						
Bar size to be spliced	Table 1	Table 2	Table 3	Table 4	Table 5	Table 6
3, 4	1'-5"	1'-11"	2'-1"	2'-4"	2'-7"	2'-11"
5	1'-9"	2'-5"	2'-7"	2'-11"	3'-3"	3'-8"
6	2'-1"	2'-11"	3'-1"	3'-6"	3'-10"	4'-5"
7	2'-9"	3'-10"	4'-2"	4'-8"	5'-2"	5'-10"
8	3'-8"	5'-1"	5'-5"	6'-2"	6'-9"	7'-8"
9	4'-7"	6'-5"	6'-10"	7'-9"	8'-7"	9'-8"

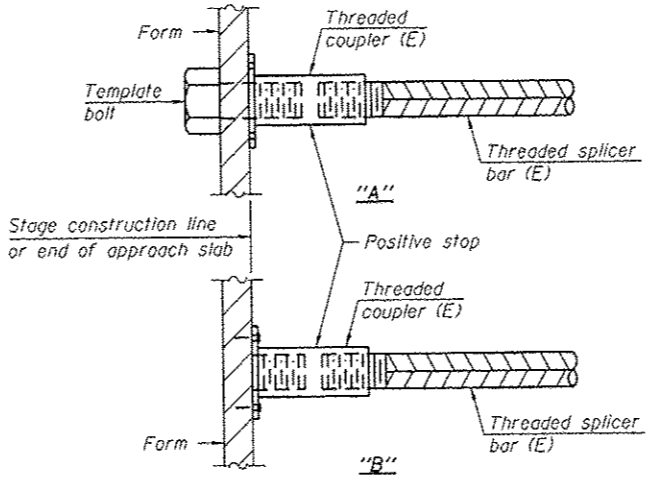
- Table 1: Black bar, 0.8 Class C
- Table 2: Black bar, Top bar lap, 0.8 Class C
- Table 3: Epoxy bar, 0.8 Class C
- Table 4: Epoxy bar, Top bar lap, 0.8 Class C
- Table 5: Epoxy bar, Class C
- Table 6: Epoxy bar, Top bar lap, Class C

Threaded splicer bar length = min. lap length + 1/2" + thread length

* Epoxy not required on Bar Splicer Assembly components used in conjunction with black bars.

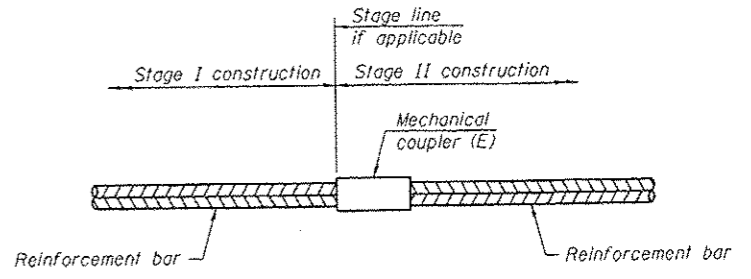
TWO SUPERSTRUCTURES BILL OF MATERIALS

Location	Bar size	No. assemblies required	Table for minimum lap length
N ABUT DECK	#5	24	TABLE 3
N ABUT HATCH BLOCK	#6	12	TABLE 3
S ABUT DECK	#5	24	TABLE 3
S ABUT HATCH BLOCK	#6	12	TABLE 3



INSTALLATION AND SETTING METHODS

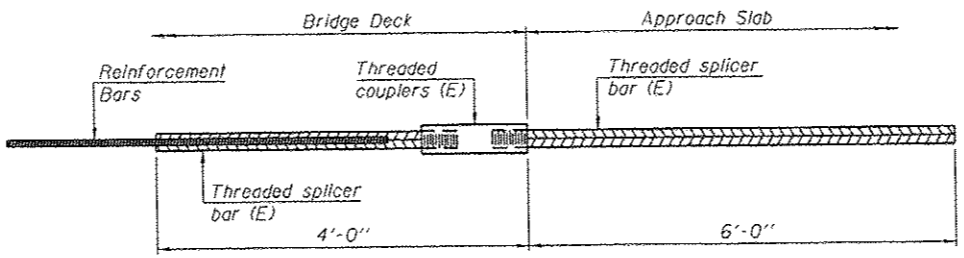
"A": Set bar splicer assembly by means of a template bolt.
 "B": Set bar splicer assembly by nailing to wood forms or cementing to steel forms.
 (E) : Indicates epoxy coating.



STANDARD MECHANICAL SPLICER

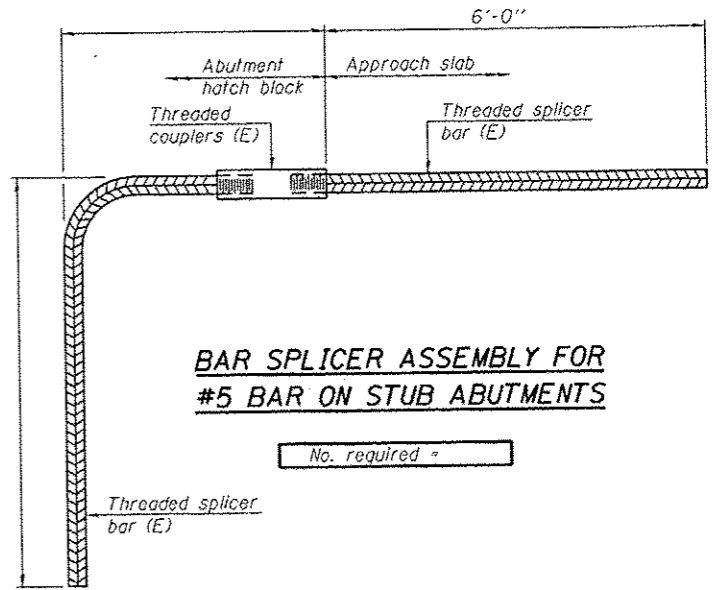
TWO SUPERSTRUCTURES BILL OF MATERIALS

Location	Bar size	No. assemblies required
DECK - STAGE I	#5	354
DECK - STAGE II	#5	354
DECK - STAGE III	#5	354
DECK - STAGE IV	#5	354



BAR SPLICER ASSEMBLY FOR #5 BAR ON INTEGRAL OR SEMI-INTEGRAL ABUTMENTS

No. required =



BAR SPLICER ASSEMBLY FOR #5 BAR ON STUB ABUTMENTS

No. required =

NOTES

Splicer bars shall be deformed with threaded ends and have a minimum 60 ksi yield strength.
 All reinforcement shall be lapped and tied to the splicer bars.
 Bar splicer assemblies shall be epoxy coated according to the requirements for reinforcement bars. See Section 508 of the Standard Specifications.
 See approved list of bar splicer assemblies and mechanical splicers for alternatives.

BSD-1

1-27-12

FILE NAME =	USER NAME = pataj	DESIGNED - RW	REVISED -
o:\pwork\pataj\pataj\0325085\0366	81-sht-deta1.dgn	DRAWN - RW	REVISED -
	PLOT SCALE = 100.0000 / in.	CHECKED -	REVISED -
#MODELNAME#	PLOT DATE = 5/6/2014	DATE -	REVISED -

STATE OF ILLINOIS
DEPARTMENT OF TRANSPORTATION

BAR MECHANICAL SPLICER ASSEMBLY DETAILS FOR STRUCTURE NO'S 038-0155 & 038-0156

SCALE: SHEET 10 OF 10 SHEETS STA. 928+50.00

F.A.I. RTE.	SECTION	COUNTY	TOTAL SHEETS	SHEET NO.
57	(38-6B11-2 & 138-6B-11-2	IRROUOIS	27	18
				CONTRACT NO. 66CB1
ILLINOIS FED. AID PROJECT				