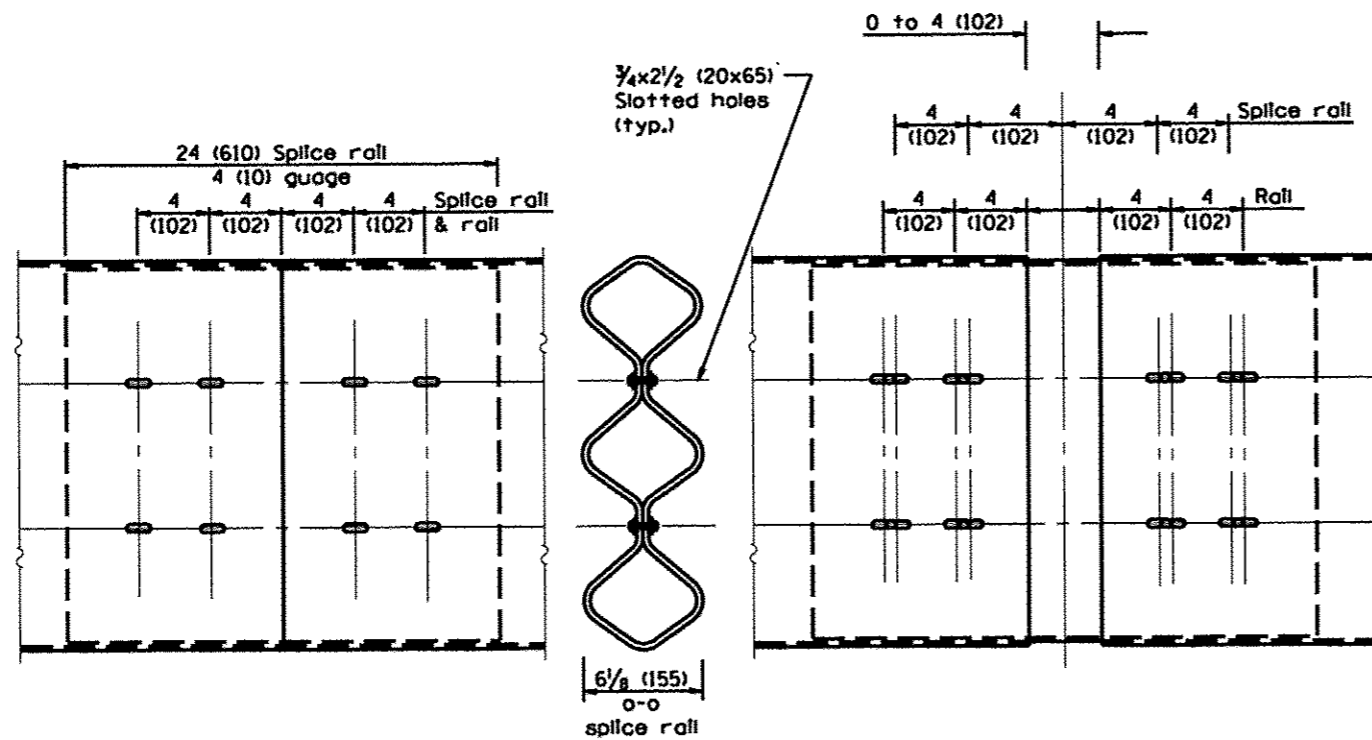
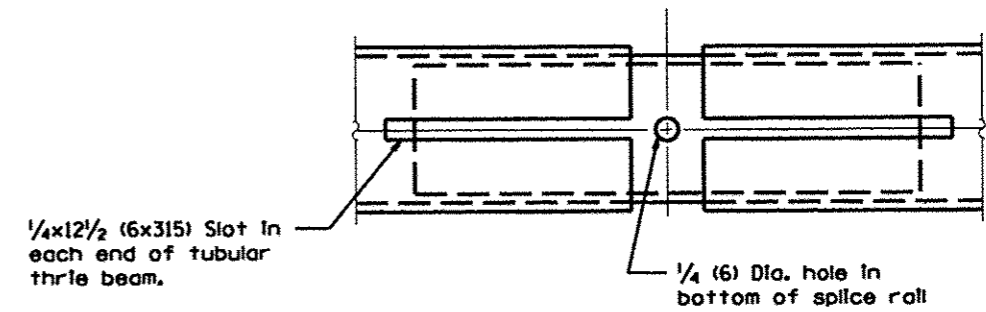


TUBULAR THRIE BEAM FOR INTERNAL SPLICE JOINT



INTERNAL SPLICE JOINT

INTERNAL EXPANSION SPLICE JOINT



BOTTOM VIEW OF INTERNAL EXPANSION SPLICE JOINT

GENERAL NOTES

Plate Washers B are to be placed under both heads and nuts of splicing bolts for internal splice and internal expansion splice joint.

Plate Washers C are to be placed under both heads and nuts of splicing bolts for lap expansion and internal lap splice joint.

See Standard 630001 for details of guardrail not shown.

All dimensions are in inches (millimeters) unless otherwise shown.

FILE NAME *	USER NAME * #USER*	DESIGNED -	REVISED -	STATE OF ILLINOIS DEPARTMENT OF TRANSPORTATION	TUBULAR THRIE BEAM RETROFIT RAIL FOR BRIDGES		F.A. RTE.	SECTION	COUNTY	TOTAL SHEETS	SHEET NO.	
#FILE#		DRAWN -	REVISED -		SCALE: _____	SHEET J_ OF 3_ SHEETS	STA. _____ TO STA. _____	VAR.		VAR.	43	10
#MODELNAME*	PLOT SCALE * #SCALE*	CHECKED -	REVISED -								CONTRACT NO. 66015	
	PLOT DATE * #DATE*	DATE -	REVISED -								ILLINOIS FED. AID PROJECT	

• D-3 HIGHWAY DAMAGE REPAIR 2015