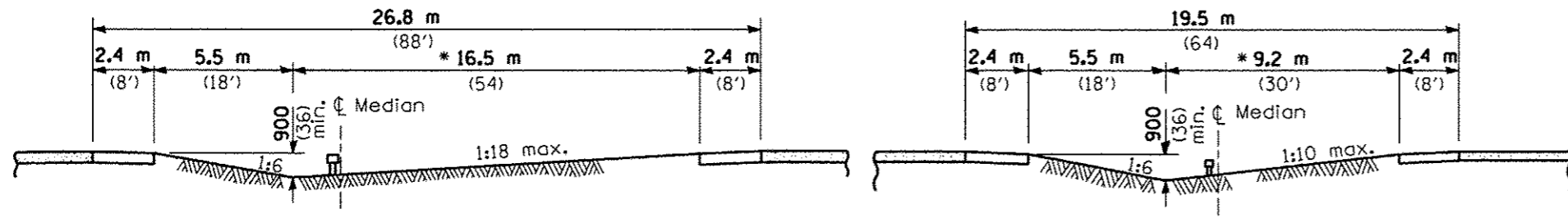


SECTION C-C

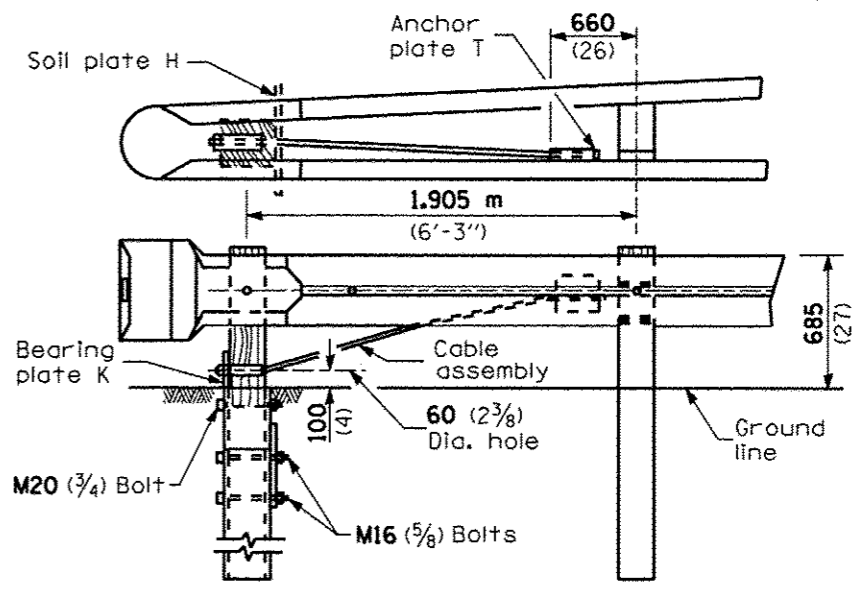
RETURNED END DETAIL

* Adjust this dimension when the width of the shoulders is other than 2.4 m (8').

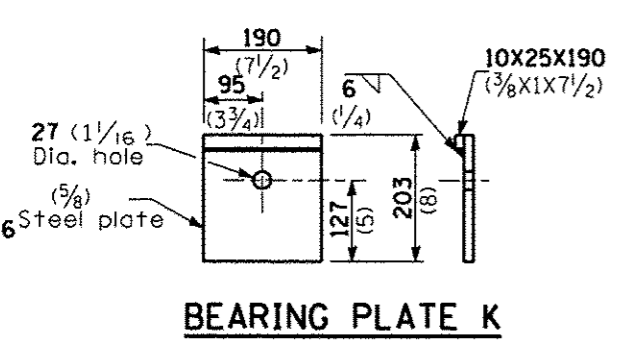


SECTION A-A

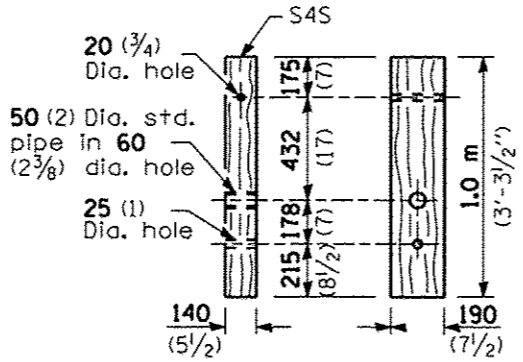
SECTION B-B



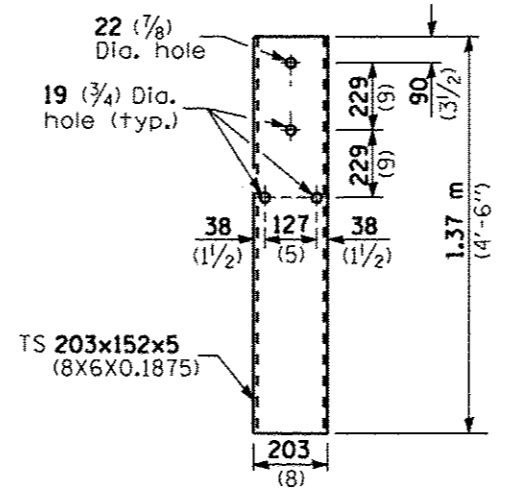
WOOD POST TUBULAR STEEL FOUNDATION



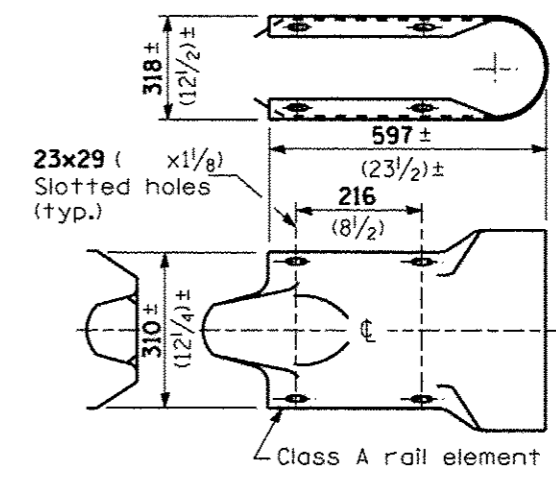
BEARING PLATE K



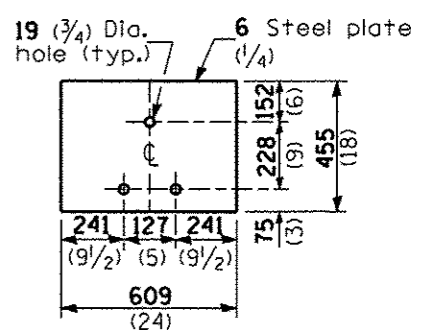
WOOD BREAKAWAY POST



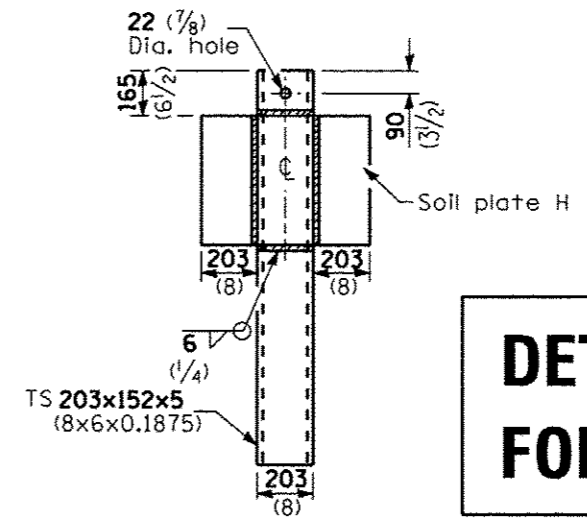
STEEL TUBE



RETURN END SECTION



SOIL PLATE H



ALTERNATE SOIL PLATE CONNECTION

DETAIL INCLUDED FOR REPAIR ONLY

All dimensions are in millimeters (inches) unless otherwise shown.

FILE NAME *	USER NAME * USER*	DESIGNED -	REVISED -	STATE OF ILLINOIS DEPARTMENT OF TRANSPORTATION	TRAFFIC BARRIER TERMINAL TYPE 4	F.A. RTE.	SECTION	COUNTY	TOTAL SHEETS	SHEET NO.	
#FILE#		DRAWN -	REVISED -			VAR.		VAR.	43	19	
		CHECKED -	REVISED -			SCALE: SHEET NO. OF SHEETS STA. TO STA.		CONTRACT NO. 66015			
		DATE	REVISED			FED. ROAD DIST. NO. ILLINOIS FED. AID PROJECT					

D-3 HIGHWAY DAMAGE REPAIR 2015