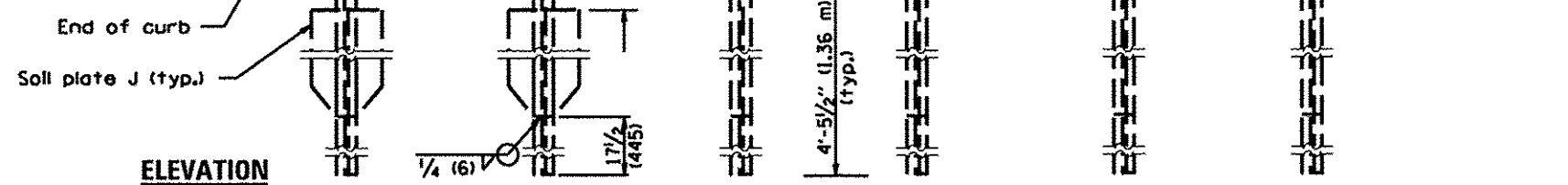
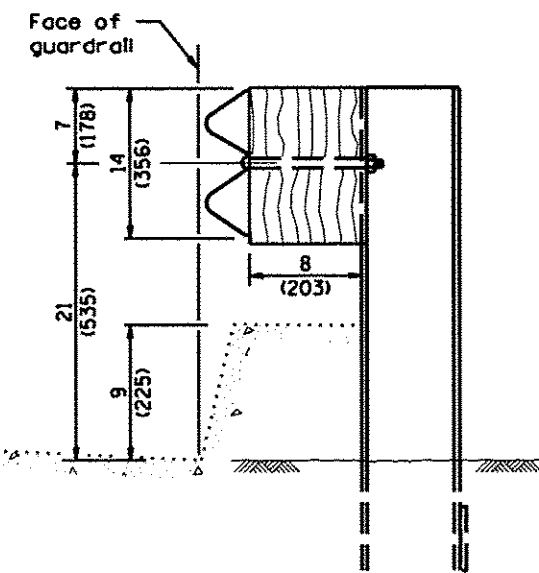


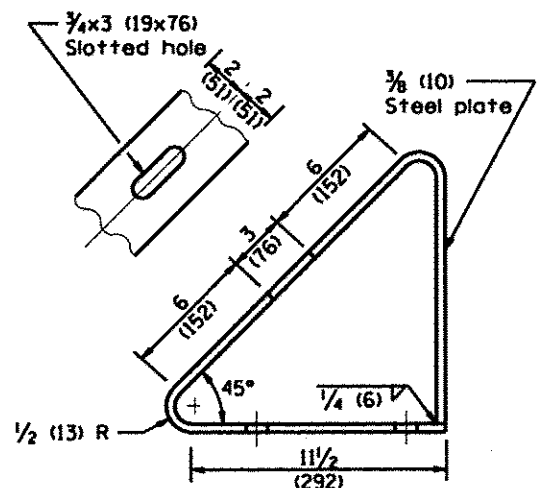
Notes:
Taper guardrail until it intercepts the shoulder line.



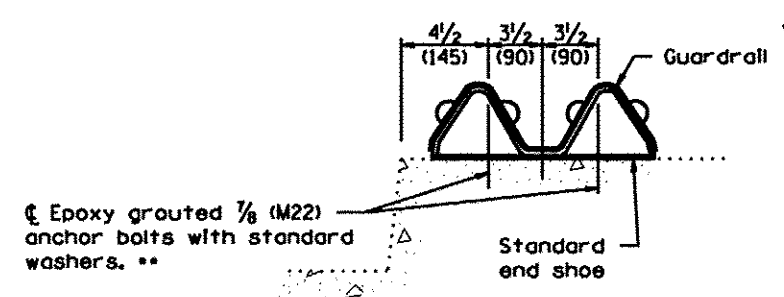
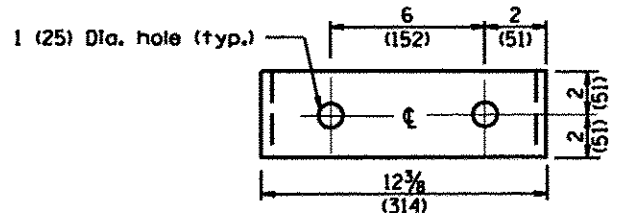
ELEVATION



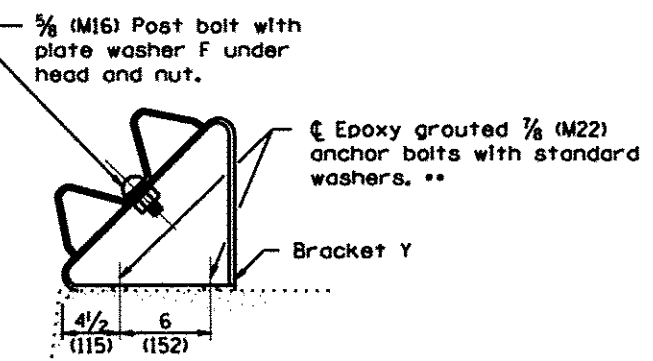
SECTION C-C



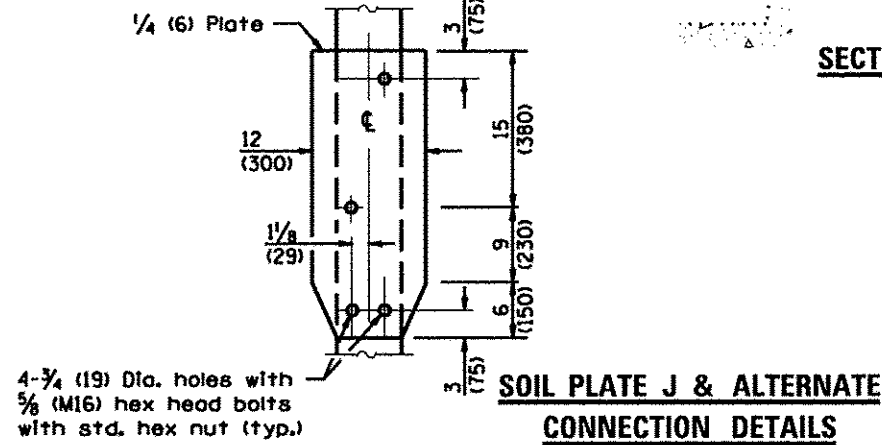
BRACKET Y



SECTION A-A



SECTION B-B



SOIL PLATE J & ALTERNATE CONNECTION DETAILS

GENERAL NOTES

- See Standard 630001 for details of guardrail not shown.
- This dimension may be increased to fit field conditions. This post shall be located first. The layout of the terminal shall be determined by its location.
- After tightening, cut the anchor bolts flush with nuts, and damage the bolt head to prevent them from loosening.
- All dimensions are in inches (millimeters) unless otherwise shown.

FILE NAME	USER NAME * USER#	DESIGNED -	REVISED -	STATE OF ILLINOIS DEPARTMENT OF TRANSPORTATION	TRAFFIC BARRIER TERMINAL TYPE 8		F.A. RTE.	SECTION	COUNTY	TOTAL SHEETS	SHEET NO.	
#FILE#		DRAWN -	REVISED -		SCALE: _____	SHEET OF SHEETS	STA. TO STA.	VAR.	*	VAR.	43	20
MODELNAME		CHECKED -	REVISED -								CONTRACT NO. 66D15	
		DATE -	REVISED -								ILLINOIS FED. AID PROJECT	