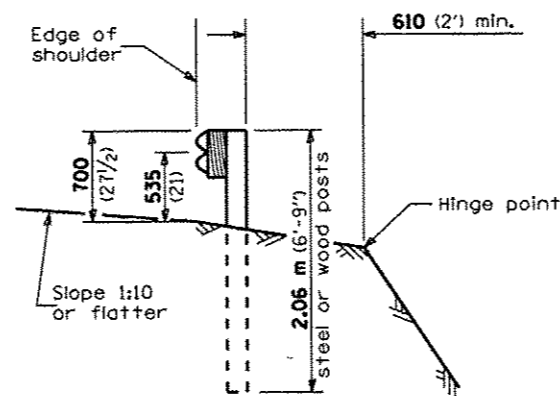


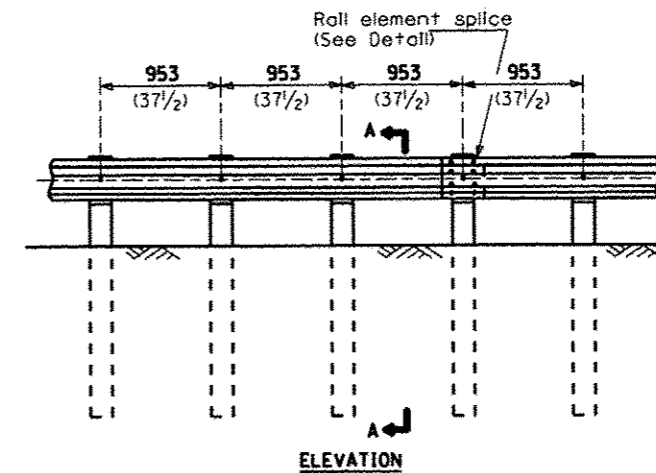
ELEVATION

TYPE A

1.905 m (6'-3") Typical post spacing



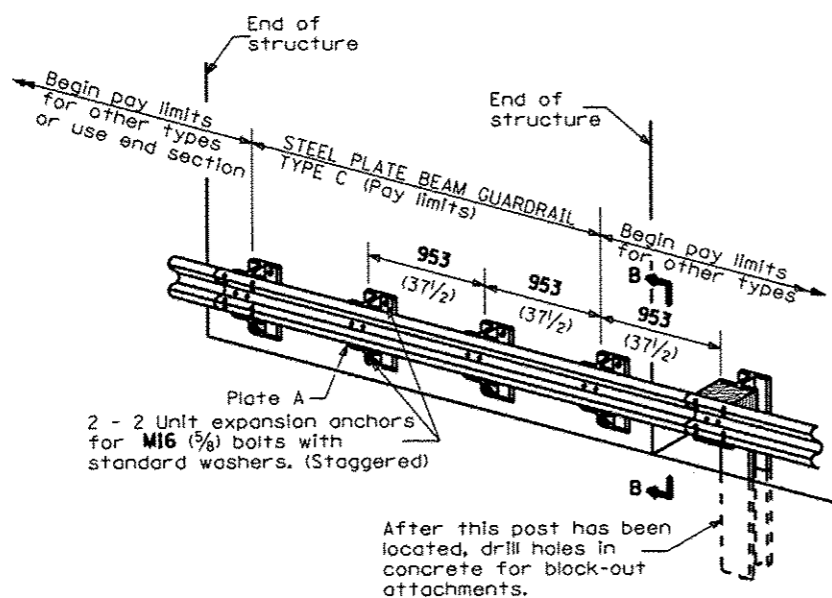
SECTION A-A



ELEVATION

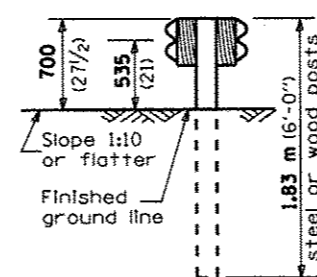
TYPE B

953 (37 1/2) Closed post spacing

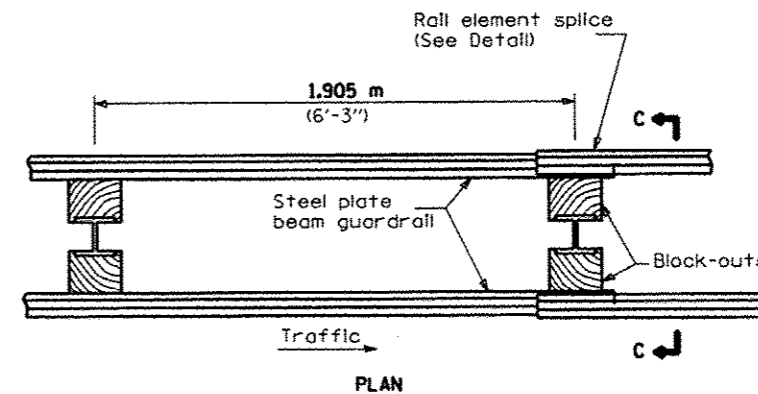


TYPE C

953 (37 1/2) Block-out spacing



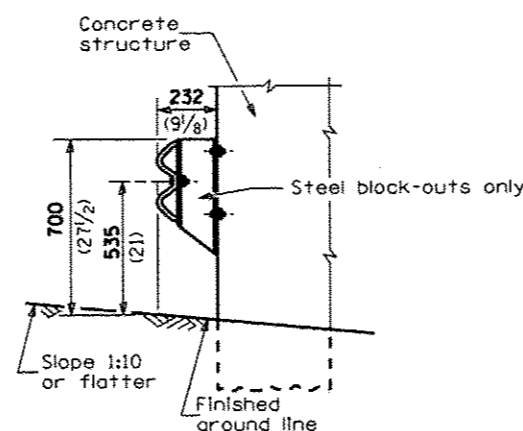
SECTION C-C



PLAN

TYPE D

Double steel plate beam guardrail
1.905 m (6'-3") typical post spacing



SECTION B-B

GENERAL NOTES

All slope ratios are expressed as units of vertical displacement to units of horizontal displacement (V:H).

All dimensions are in millimeters (inches) unless otherwise shown.

FILE NAME	USER NAME	DESIGNED	REVISED	STATE OF ILLINOIS DEPARTMENT OF TRANSPORTATION	PRE-MGS EFFECTIVE 4-1-06 STEEL PLATE BEAM GUARDRAIL STANDARD 630001-06 (Sheet 1 of 4)	F.A. RVE.	SECTION	COUNTY	TOTAL SHEETS	SHEET NO.	
#FILE#	#USER#	DRAWN	REVISED			VAR.	VAR.	VAR.	43	25	
PLOT SCALE	#SCALE#	CHECKED	REVISED			SCALE: SHEET NO. OF SHEETS STA. TO STA.		CONTRACT NO. 66015			
PLOT DATE	#DATE#	DATE	REVISED			FED. ROAD DIST. NO. ILLINOIS FED. AID PROJECT					