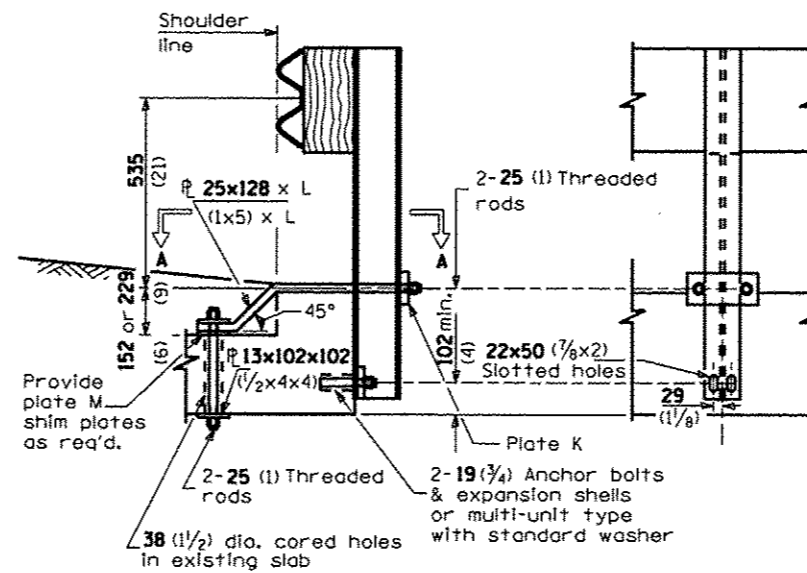


CROSS SECTION

ELEVATION

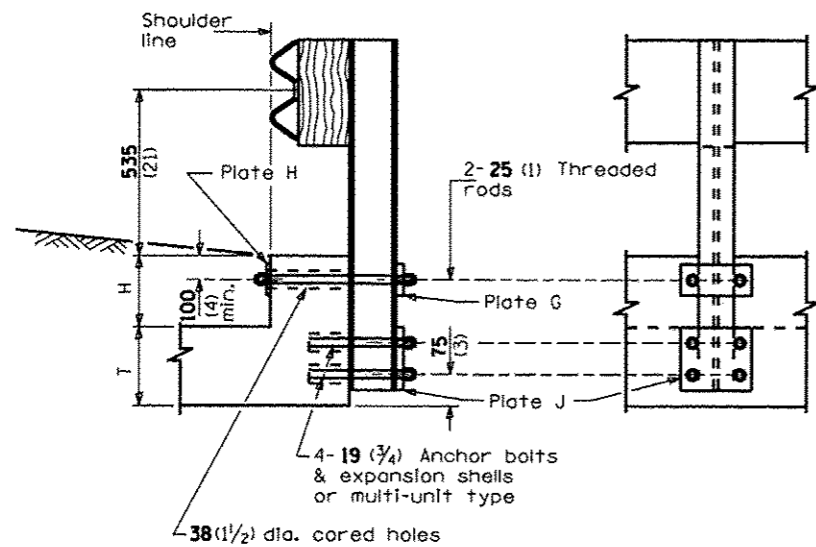
CONDITION H > 450 (18)



CROSS SECTION

ELEVATION

**CASE II
MOUNTED ON TOP HEADWALL
WITH SQUARE TIP**

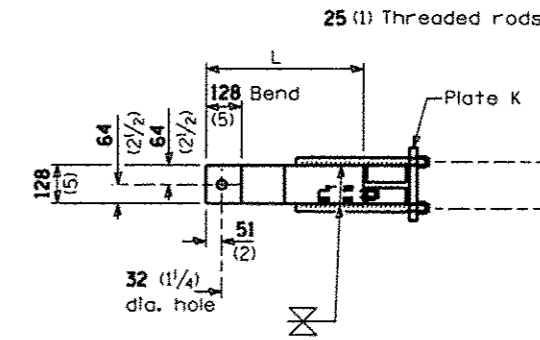


CROSS SECTION

ELEVATION

CONDITION H < 450 (18) & H+T ≥ 510 (20)

**CASE I
MOUNTED ON
RAISED HEADWALL**



SECTION A-A

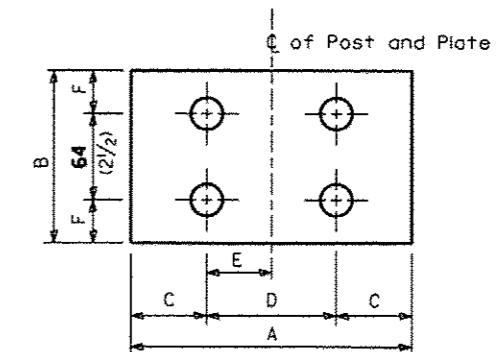


PLATE TYPE J

GENERAL NOTES

Except as noted, dimensions and notes specified for case II, III, and IV are the same as specified for case I.

For details of guardrail elements not shown, see Standard 630001.

All threaded rods shall be installed with heavy hex nuts and standard washers.

All dimensions are in millimeters (inches) unless otherwise shown.

PLATE DIMENSIONS								
Type	A	B	C	D	E	F	Hole Dia.	Thick-ness
G	230 (9)	100 (4)	40 (1 1/2)	150 (6)	75 (3)	50 (2)	29 (1 1/8)	25 (1)
H	230 (9)	100 (4)	40 (1 1/2)	150 (6)	75 (3)	50 (2)	29 (1 1/8)	13 (1/2)
J	230 (9)	126 (5)	40 (1 1/2)	150 (6)	75 (3)	31 (1 1/4)	22 (7/8)	25 (1)
K	230 (9)	100 (4)	40 (1 1/2)	150 (6)	75 (3)	50 (2)	29 (1 1/8)	32 (1 1/4)
M	100 (4)	100 (4)	50 (2)	N/A	N/A	50 (2)	32 (1 1/8)	13 (1/2)

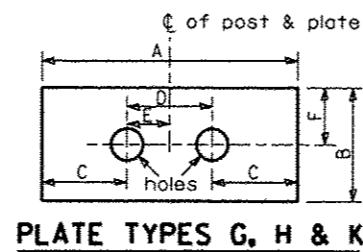


PLATE TYPES G, H & K

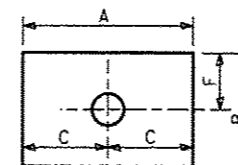


PLATE TYPE M