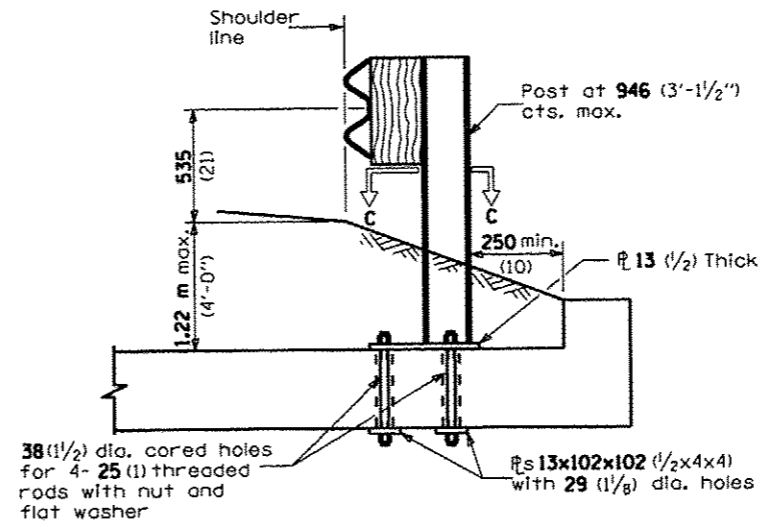
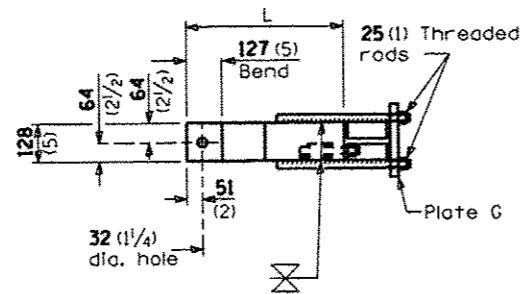


CROSS SECTION

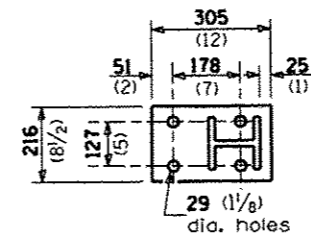
ELEVATION



CROSS SECTION



SECTION B-B



SECTION C-C

**CASE III
MOUNTED ON HEADWALL
WITH CURVED OR DEMOLISHED TIP**

**CASE IV
MOUNTED ON SLAB**

All dimensions are in millimeters (inches) unless otherwise shown.

| | | | | | | | | | | |
|-----------------------|----------------------|------------|-----------|---|---|---|---------|--------|--------------|-----------|
| FILE NAME * #FILE# | USER NAME * #USER# | DESIGNED - | REVISED - | STATE OF ILLINOIS DEPARTMENT OF TRANSPORTATION | PRE-MGS EFFECTIVE 4-1-06 GUARDRAIL MOUNTED ON EXISTING CULVERTS STANDARD 630101-06 (Sheet 2 of 2) | F.A. RTE. | SECTION | COUNTY | TOTAL SHEETS | SHEET NO. |
| | PLOT SCALE * #SCALE# | DRAWN - | REVISED - | | | VAR. | VAR. | 43 | 28 | |
| | PLOT DATE * #DATE# | CHECKED - | REVISED - | | | CONTRACT NO. 66015 | | | | |
| | | DATE | REVISED - | | | FED. ROAD DIST. NO. ILLINOIS FED. AID PROJECT | | | | |