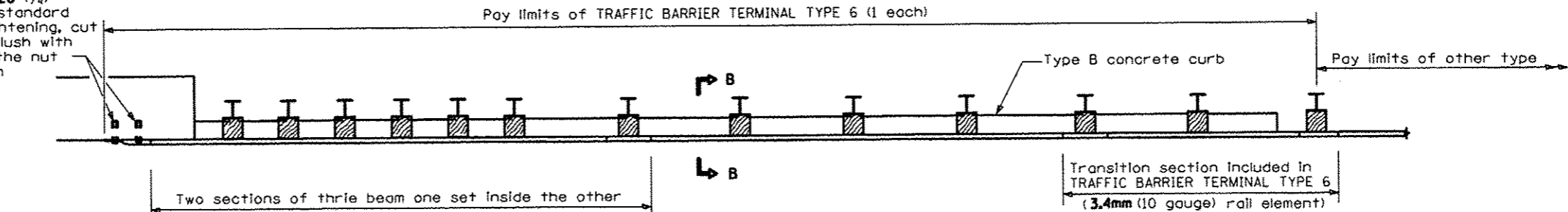
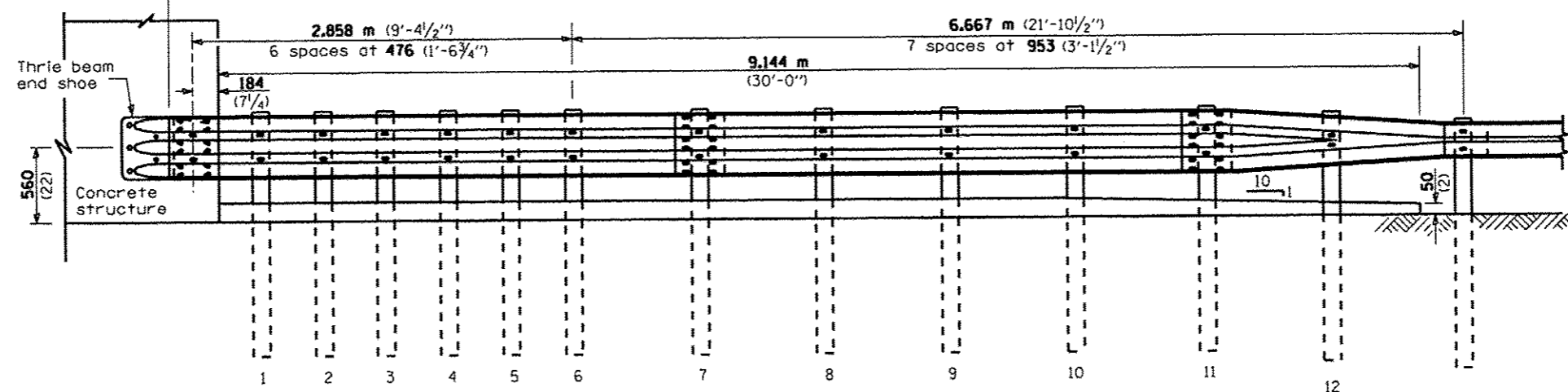


OTHER CONCRETE STRUCTURE

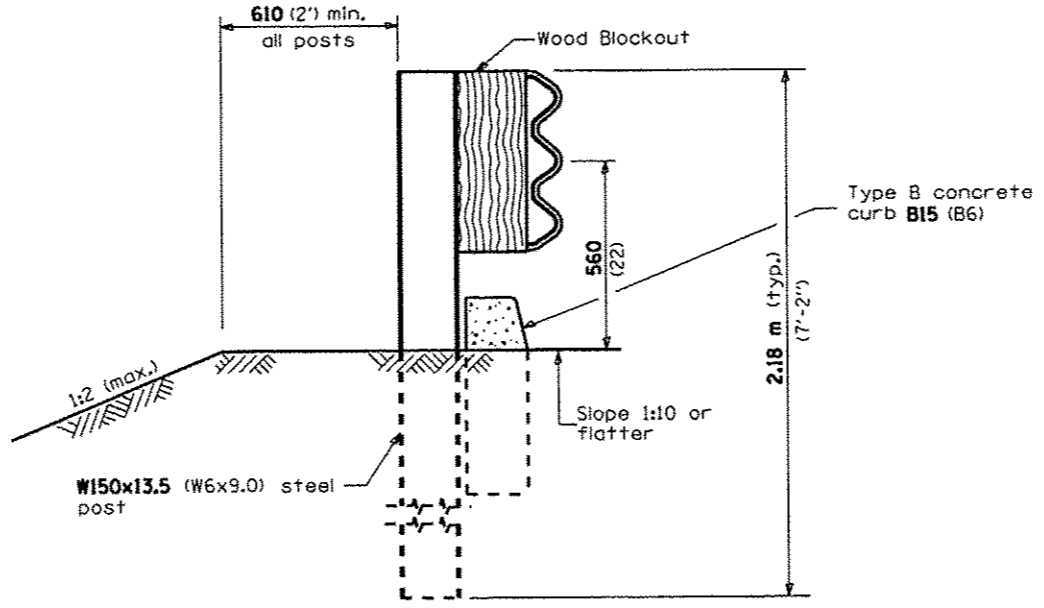
5 Epoxy grouted M20 (3/4") anchor bolts with standard washers. After tightening, cut the anchor bolts flush with nuts, and damage the nut to prevent it from loosening.



PLAN



ELEVATION



SECTION B-B

FILE NAME * #FILE#		USER NAME * #USER# DESIGNED - DRAWN - CHECKED - DATE -		REVISED - REVISED - REVISED - REVISED -		STATE OF ILLINOIS DEPARTMENT OF TRANSPORTATION		PRE-MGS EFFECTIVE 4-1-06 TRAFFIC BARRIER TERMINAL TYPE 6 STANDARD 631031-05 SCALE: _____ SHEET NO. _____ OF _____ SHEETS STA. _____ TO STA. _____		SHEET 2 of 3		F.A. RTE. _____ SECTION _____ COUNTY _____ TOTAL SHEETS NO. _____ VAR. _____ VAR. _____ 43 34 CONTRACT NO. 66015	
PLOT SCALE * #SCALE# PLOT DATE * #DATE#		CHECKED - DATE -		REVISED - REVISED -		FEDERAL ROAD DIST. NO. _____ ILLINOIS FED. AID PROJECT		CONTRACT NO. 66015		CONTRACT NO. 66015		CONTRACT NO. 66015	

• 0-3 HIGHWAY DAMAGE REPAIR 2015