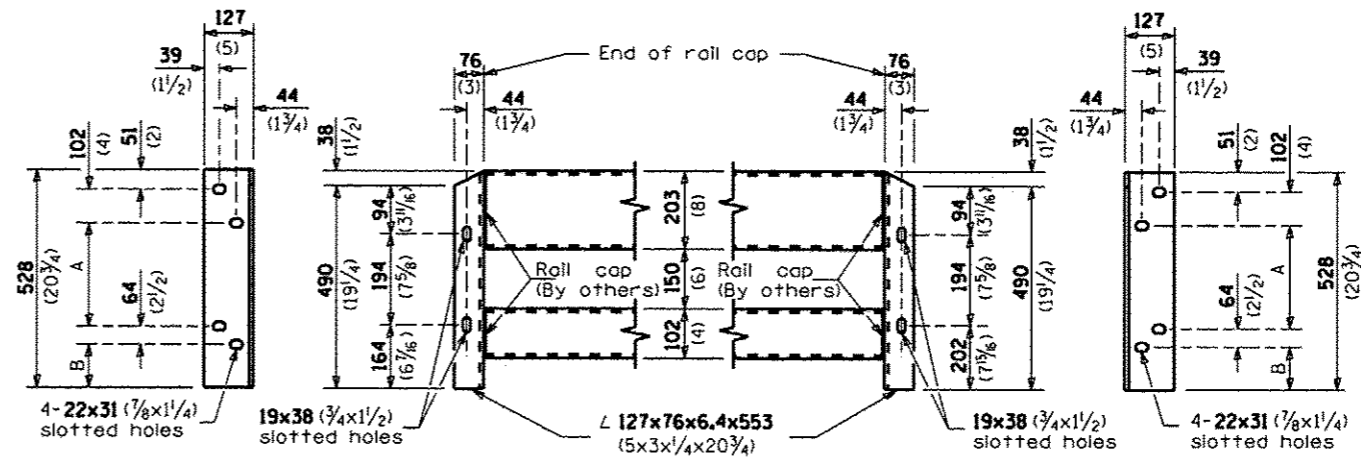
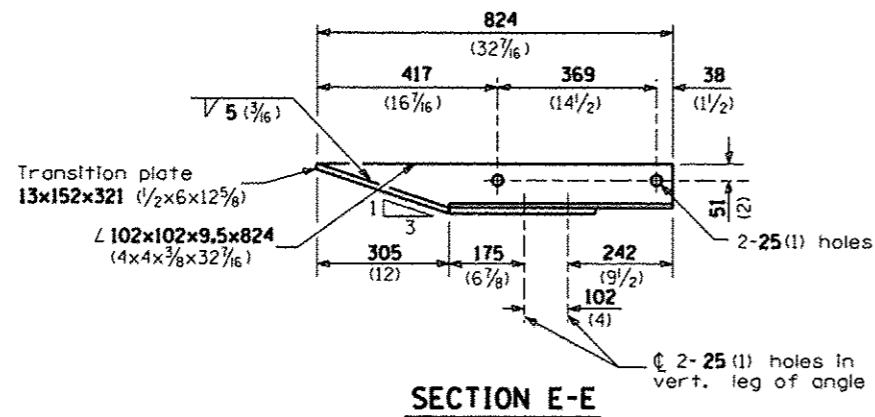
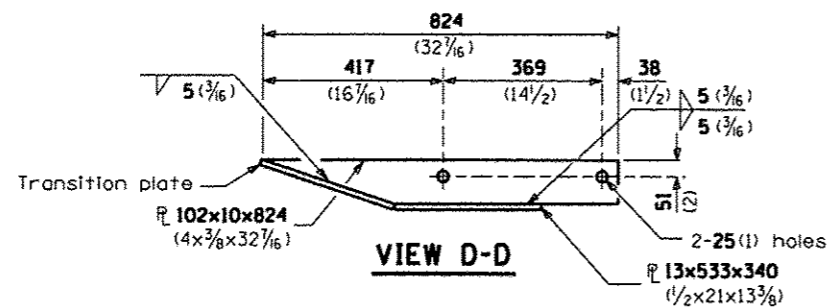


- ϕ 4-25(1) holes for 22 (7/8) H.S. bolts and nuts
- ✕ Drill and tap 3 holes for 22 (7/8) H.S. bolts.

LEGEND

Dimensions	A	B
For Curb Mounted Rail	222 (83/4)	89 (31/2)
For Side Mounted Rail	247 (93/4)	64 (21/2)

GUARDRAIL CONNECTION PLATE ASSEMBLY DETAILS
(Mirror for opposite end)



DEPARTURE END VIEW

APPROACH END VIEW

CONNECTION ANGLES

(Install angles to rail caps using 19 (5/8) washers and self-locking nuts or nuts and jam nuts, to be provided by others)