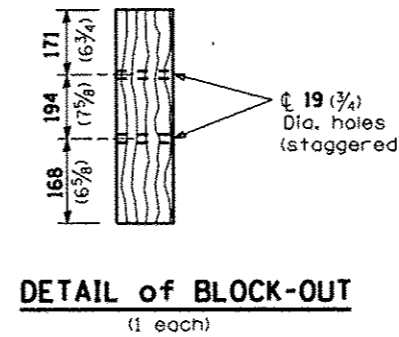
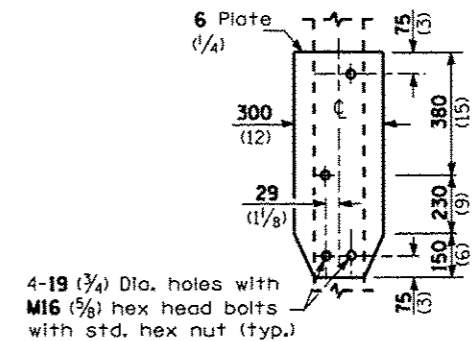
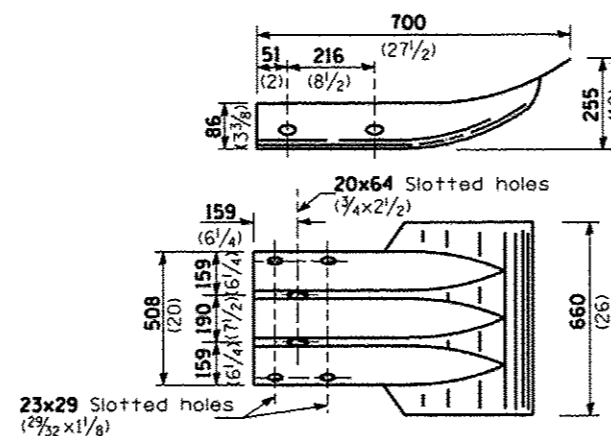
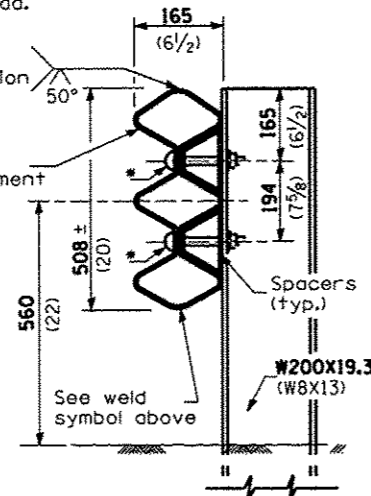


* 19 (3/4) Dia. holes for M16 (5/8) bolts with plate washer F under bolt head.

60% Min. penetration

Class B rail element



GENERAL NOTES

See Standard 509001 and 630001 for details of guardrail elements not shown.
The type 12 terminal shall be installed after the posts for the bridge retrofit rail have been located as shown on Standard 509001.

All dimensions are in millimeters (inches) unless otherwise shown.

FILE NAME *	USER NAME * #USER*	DESIGNED -	REVISED -	STATE OF ILLINOIS DEPARTMENT OF TRANSPORTATION	PRE-MGS EFFECTIVE 4-1-06 TRAFFIC BARRIER TERMINAL TYPE 12 STANDARD 631056-01	F.A. RTE.	SECTION	COUNTY	TOTAL SHEETS	SHEET NO.	
#FILE#		DRAWN -	REVISED -			VAR.		VAR.	43	43	
		CHECKED -	REVISED -			CONTRACT NO. 66015					
		DATE -	REVISED -			SCALE: _____	SHEET NO. _____ OF _____ SHEETS	STA. _____ TO STA. _____	ILLINOIS FED. AID PROJECT		