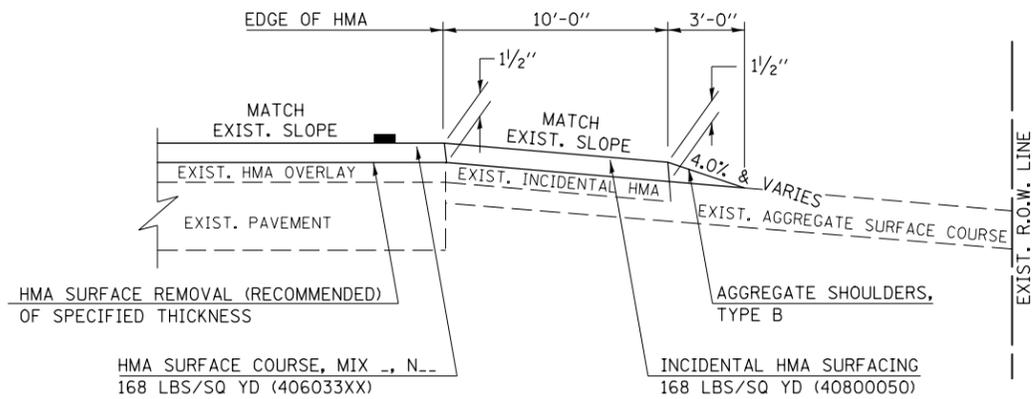


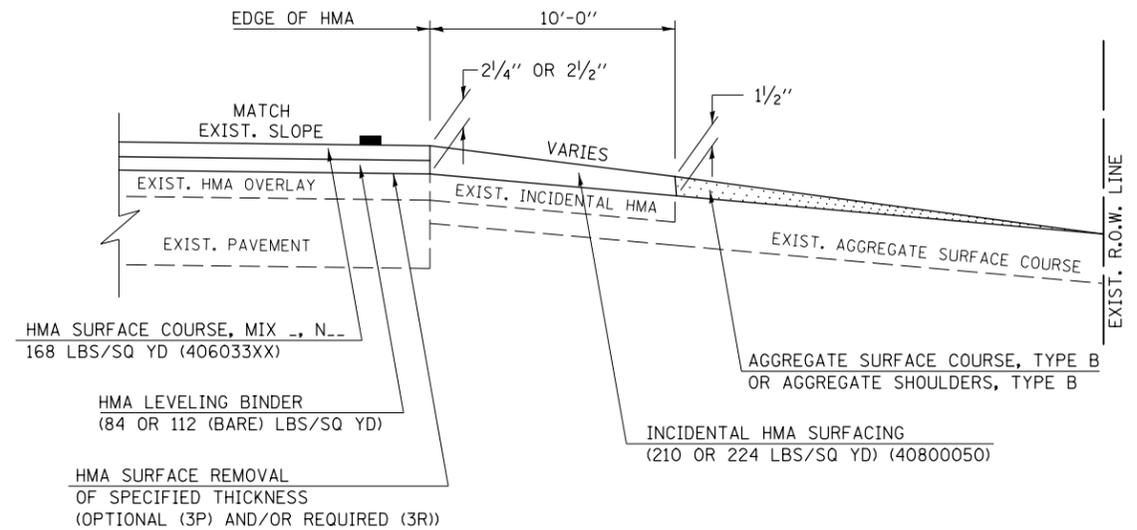
PROJECTS WITHOUT RECONSTRUCTION

S.M.A.R.T. IMPROVEMENTS (POLICY RESURFACING; BDE 53-4.03; 1/2")

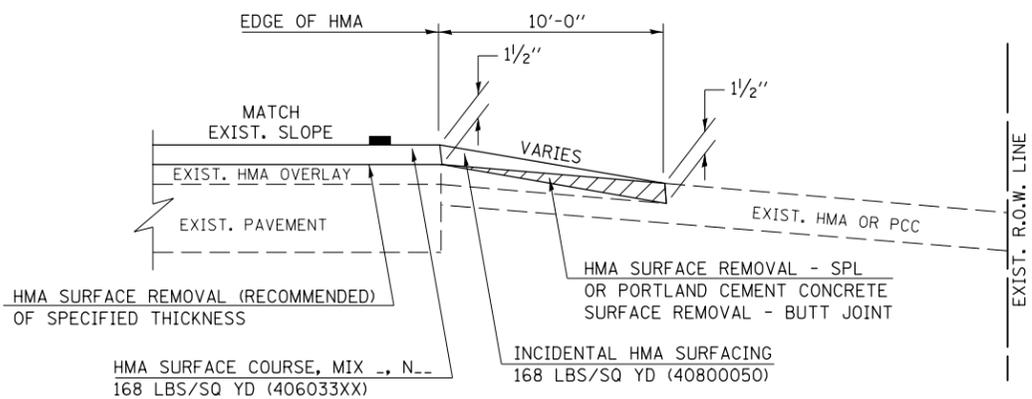


EXISTING AGGREGATE ENTRANCE

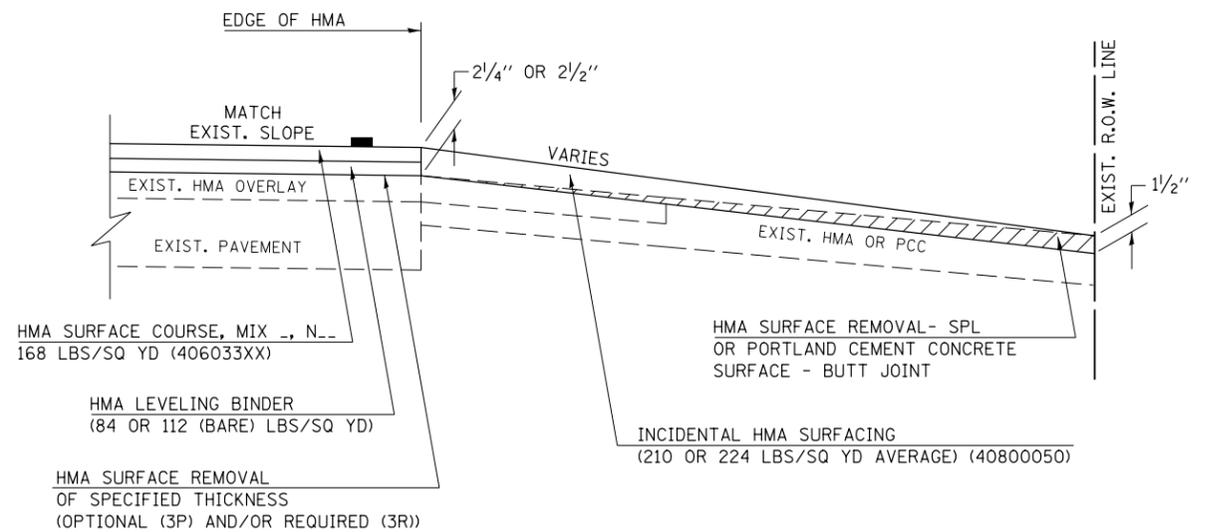
"3P" OR "3R" IMPROVEMENTS (POLICY RESURFACING; BDE 53-4.02; 2 1/4" OR 2 1/2" ON BARE CONCRETE)



EXISTING AGGREGATE ENTRANCE



EXISTING HMA OR PCC ENTRANCE



EXISTING HMA OR PCC ENTRANCE

Note: All dimensions are in INCHES (millimeters) unless otherwise shown.

• D5 PATCH AND RES 2014-7

DISTRICT 5 DETAIL NO. 40800050C

FILE NAME =	USER NAME = ceerlockjd	DESIGNED -	REVISED - 12/08/06 TJB
et:\pw\work\p\id\ceerlockjd\0285170\0370841-sht-details.dgn		DRAWN -	REVISED - 09/21/07 KAG
		CHECKED -	REVISED - 05/02/08_KJI
		DATE -	REVISED - 04/23/10_KJI

**STATE OF ILLINOIS
DEPARTMENT OF TRANSPORTATION**

**PRIVATE AND COMMERCIAL ENTRANCES
(NONCOMMERCIAL AND COMMERCIAL RURAL)**

SCALE: NA SHEET NO. 1 OF 2 SHEETS STA. _____ TO STA. _____

F.A.S. RTE.	SECTION	COUNTY	TOTAL SHEETS	SHEET NO.
1513	•	CHAMP/PIATT	40	32
FED. ROAD DIST. NO. _____ ILLINOIS FED. AID PROJECT			CONTRACT NO. 70841	