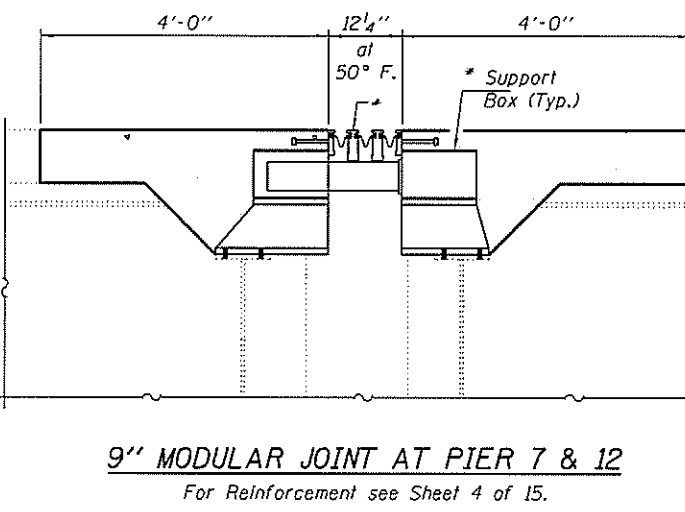


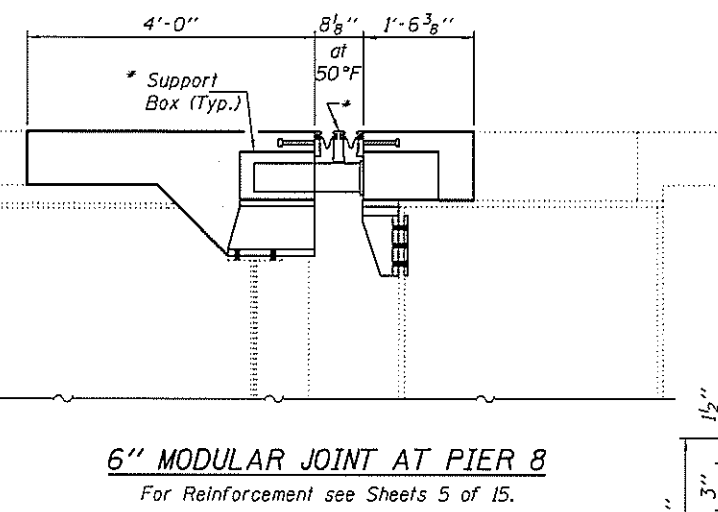
9" MODULAR JOINT AT ABUTMENTS

For Reinforcement see Sheets 3 & 9 of 15.
(Looking North thru W. Abut)
(Looking South thru E. Abut.)



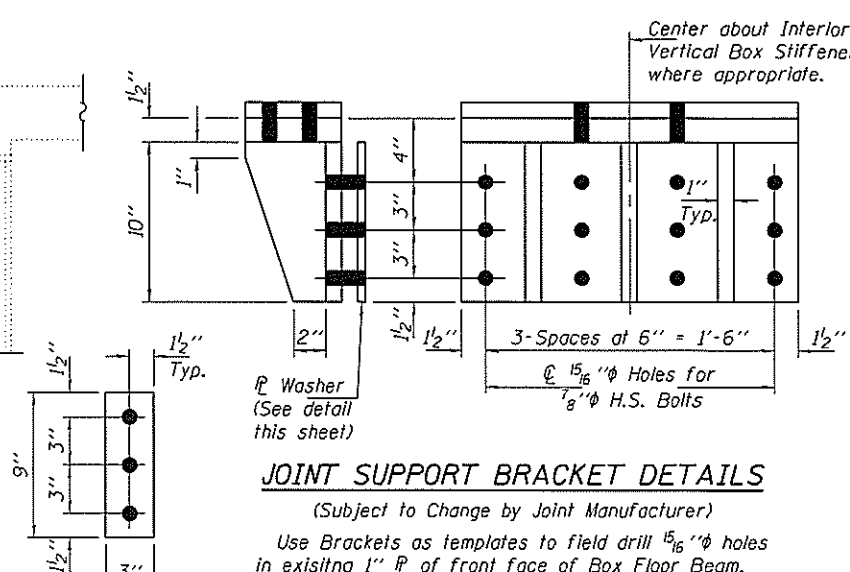
9" MODULAR JOINT AT PIER 7 & 12

For Reinforcement see Sheet 4 of 15.



6" MODULAR JOINT AT PIER 8

For Reinforcement see Sheets 5 of 15.



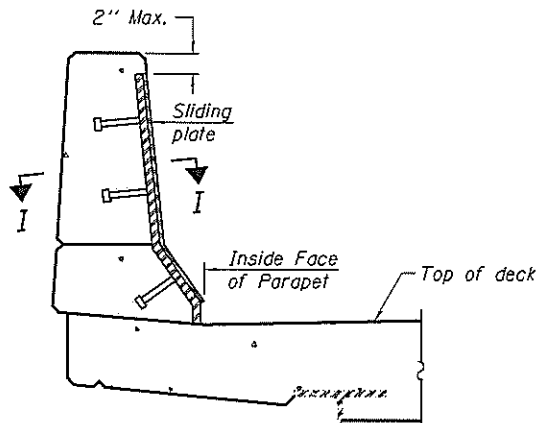
JOINT SUPPORT BRACKET DETAILS

(Subject to Change by Joint Manufacturer)

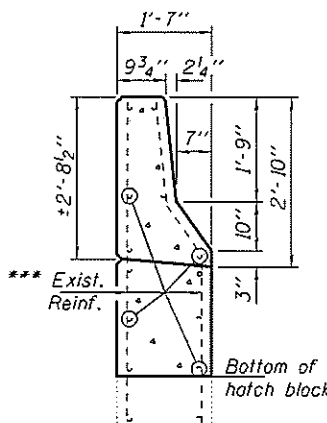
Use Brackets as templates to field drill 1 5/16 inch diameter holes in existing 1 inch diameter of front face of Box Floor Beam. Entry into Box Floor Beam necessary thru access hole on east face of beam. Temporary scaffolding may be required for access. Cost included with Modular Expansion Joint Swivel, 6 inch.

PLATE WASHER

1/2 inch x 3 inch x 9 inch
(4-Req'd per Bracket)

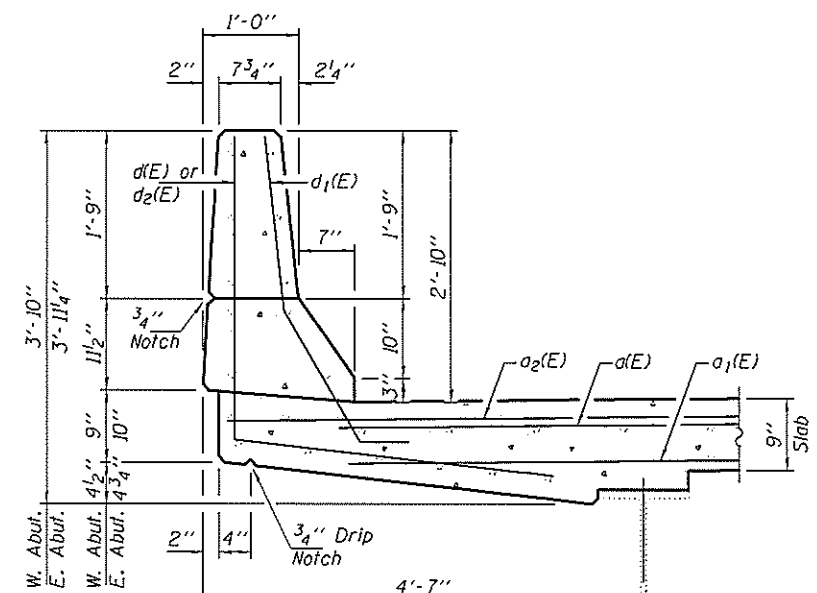


SECTION THRU PARAPET SHOWING SLIDING PLATE

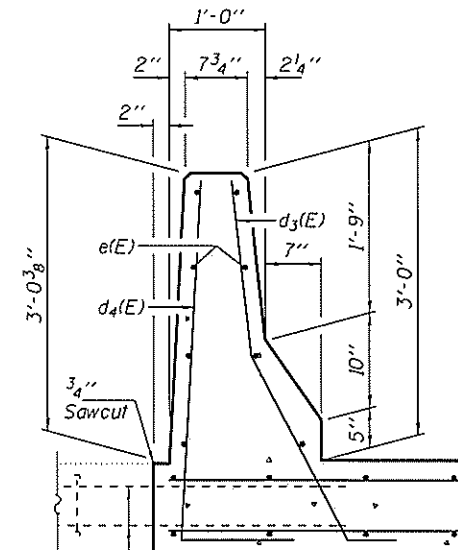


TYPICAL SECTION AT APPROACH PARAPET

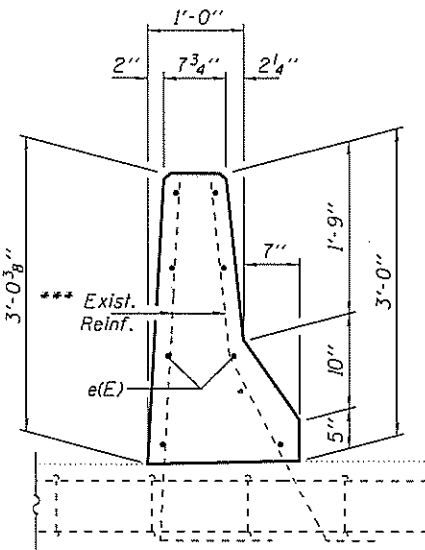
** Granular or solid flux filled headed studs conforming to Article 1006.32 of the Std. Specs., automatically end welded.



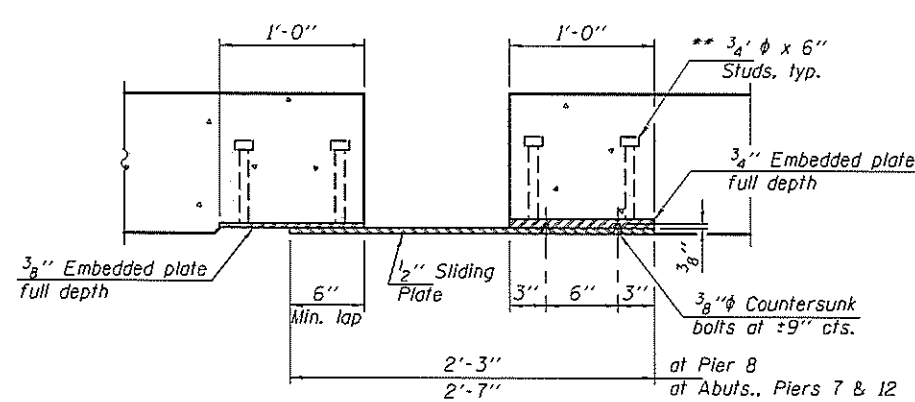
SECTION THRU PARAPET



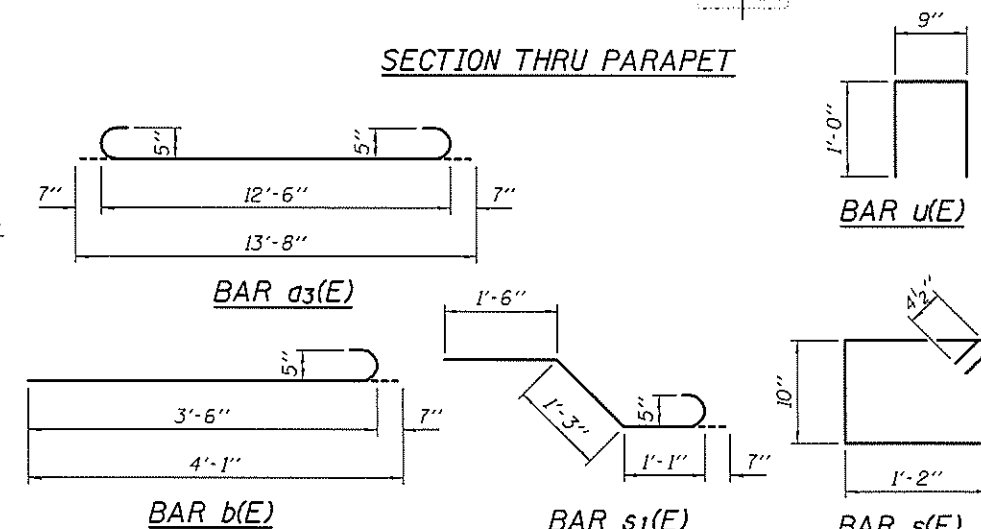
SECTION K-K



SECTION L-L



SECTION I-I



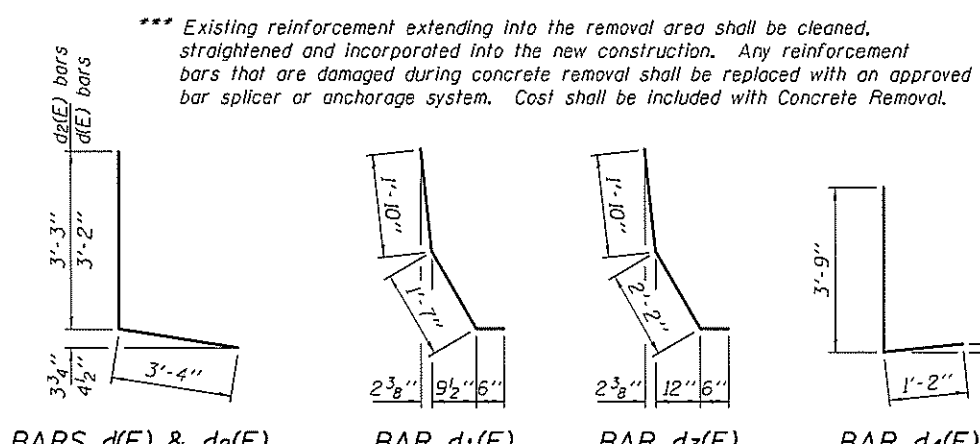
BAR u(E)

BAR a3(E)

BAR b(E)

BAR s1(E)

BAR s(E)



BARS d(E) & d2(E)

BAR d1(E)

BAR d3(E)

BAR d4(E)

*** Existing reinforcement extending into the removal area shall be cleaned, straightened and incorporated into the new construction. Any reinforcement bars that are damaged during concrete removal shall be replaced with an approved bar splicer or anchorage system. Cost shall be included with Concrete Removal.