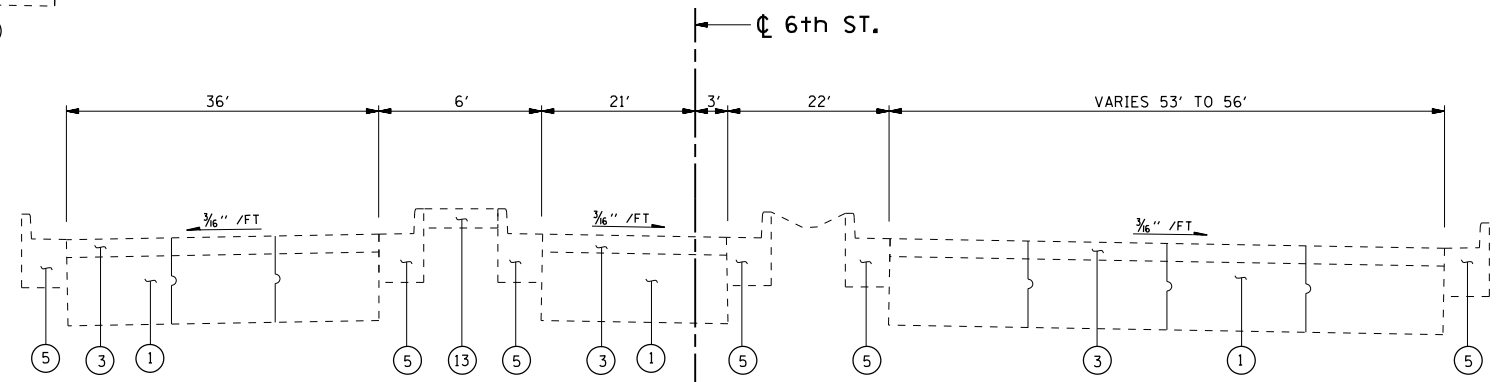
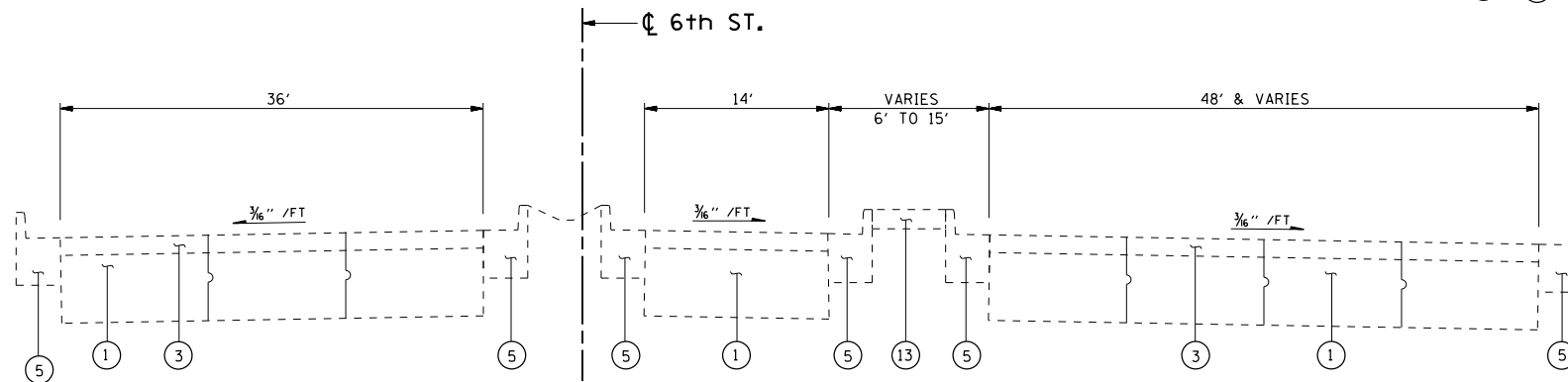


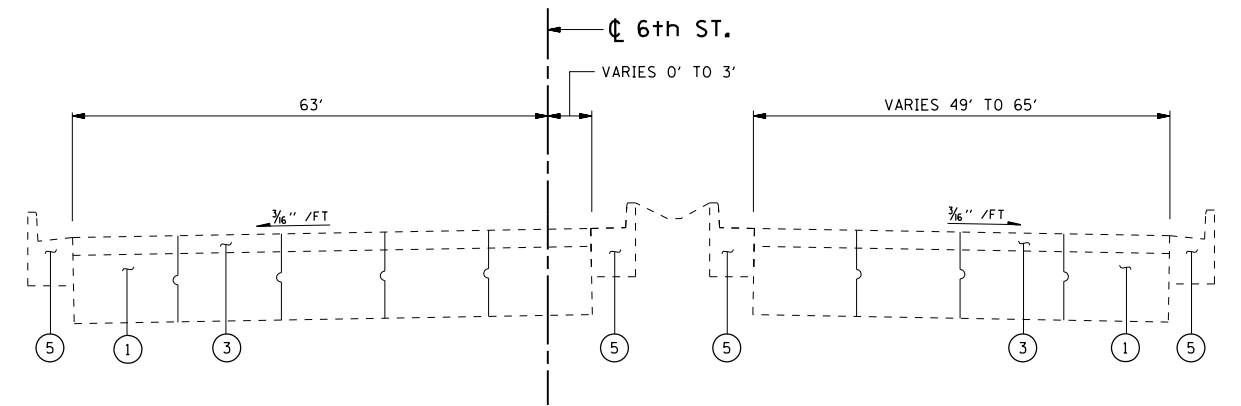
**TYPICAL SECTION**  
**STA 67+56 TO STA. 68+37**



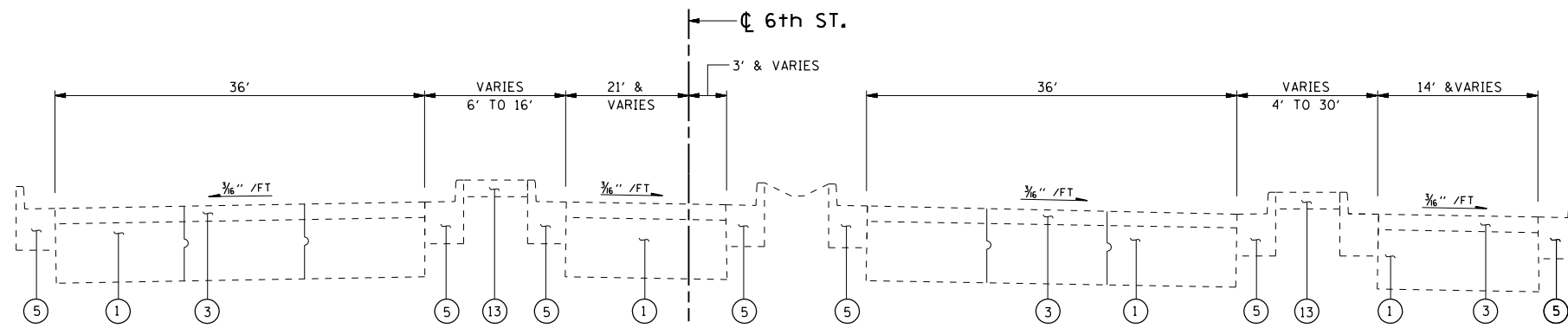
**TYPICAL SECTION**  
**STA. 71+06 TO STA. 72+44**



**STA. 68+37 TO STA. 69+46**  
**STA. 77+12 TO STA. 77+70**



**TYPICAL SECTION**  
**STA. 72+44 TO STA. 75+73**



**TYPICAL SECTION**  
**STA. 70+24 TO STA. 71+06**

**LEGEND**

- ① EX PCC PAVEMENT, 10"
- ② EX ORIGINAL PCC PAVEMENT
- ③ EX BINDER & SURFACE COURSES
- ④ EX BITUMINOUS SHOULDER
- ⑤ EX COMBINATION CURB & GUTTER M-6.24
- ⑥ EX COMBINATION CURB & GUTTER M-6.06
- ⑦ EX COMBINATION CURB & GUTTER SPECIAL
- ⑧ EX COMBINATION CURB & GUTTER
- ⑨ EX BITUMINOUS CONCRETE BASE COURSE WIDENING
- ⑩ EX BITUMINOUS BASE COURSE
- ⑪ EX BITUMINOUS CONCRETE BASE COURSE
- ⑫ EX CORRUGATED MEDIAN
- ⑬ EX CONCRETE MEDIAN SURFACE

FILE NAME =	USER NAME = sparksgw	DESIGNED - MOK	REVISED -
ei:\pw\work\p\dot\sparksgw\10397739\0672H08-sht-typical.dgn		DRAWN - MOK	REVISED -
Default	PLOT SCALE = 200.0000' / in.	CHECKED -	REVISED -
	PLOT DATE = May-22-2014 04:02:05PM	DATE -	REVISED -

**STATE OF ILLINOIS**  
**DEPARTMENT OF TRANSPORTATION**

<b>TYPICAL SECTIONS</b>			
SCALE:	SHEET	OF SHEETS	STA. TO STA.

F.A.P. RTE.	SECTION	COUNTY	TOTAL SHEETS	SHEET NO.
666	***	SANGAMON	19	9
ILLINOIS FED. AID PROJECT			CONTRACT NO. 72H08	