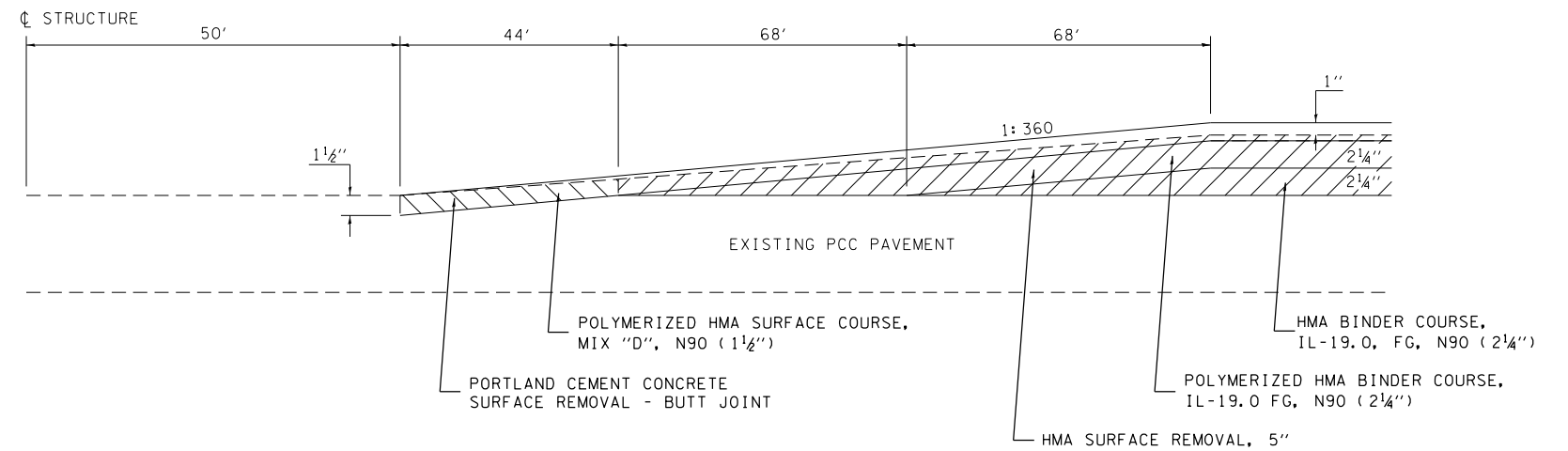


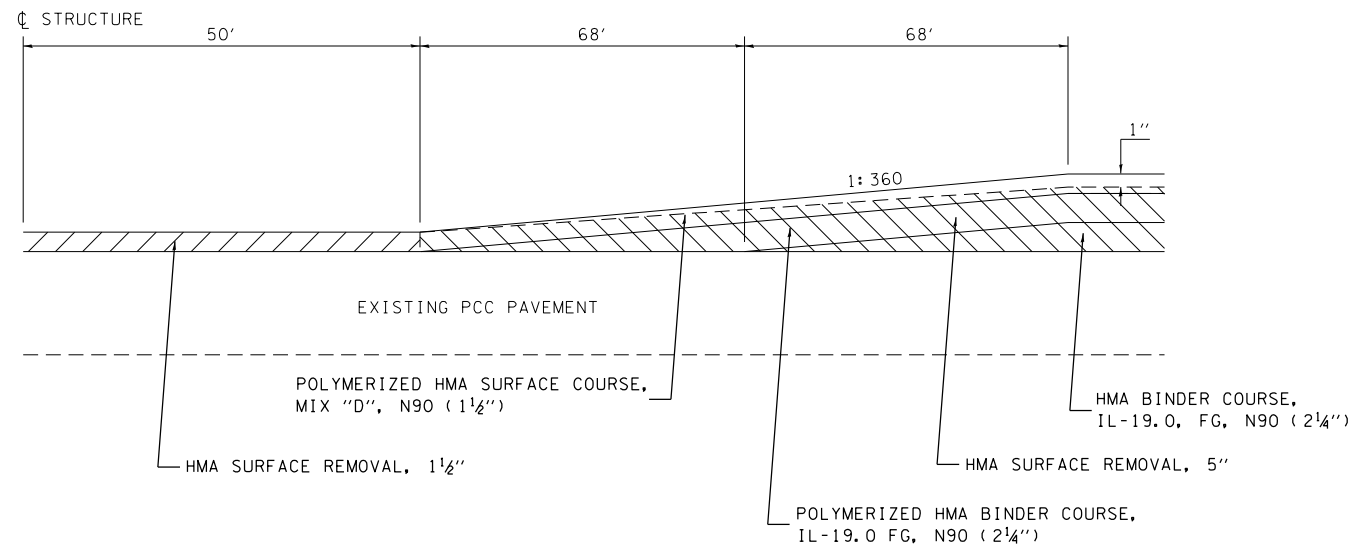
**PAVING LIMIT DETAIL**

STA 286+89  
STA 452+72



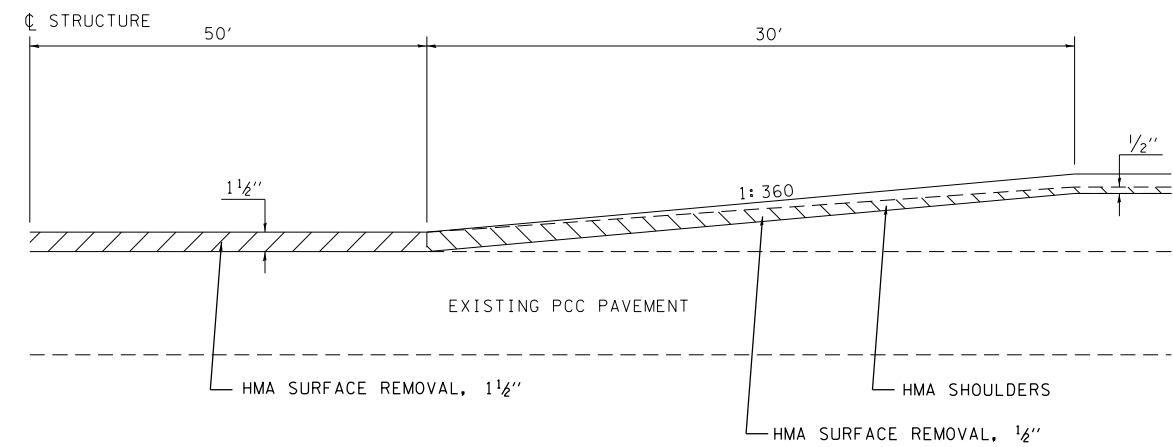
**DETAIL FOR OVERHEAD STRUCTURE OMISSIONS**

NB I-57 AT SN 015-0050•  
•MAINTAIN EXISTING VERTICAL CLEARANCE



**DETAIL FOR OVERHEAD STRUCTURE OMISSIONS**

NB AND SB I-57 AT SN 015+0037•  
SB I-57 AT SN 015-0050•  
•MAINTAIN EXISTING VERTICAL CLEARANCE



**SHOULDER DETAIL AT OVERHEAD STRUCTURE OMISSIONS**

NB AND SB I-57 AT SN 015-0037•  
NB AND SB I-57 AT SN 015-0050•  
•MAINTAIN EXISTING VERTICAL CLEARANCE

NOTE: DRAWINGS NOT TO SCALE

FILE NAME =	USER NAME = steffenmk	DESIGNED -	REVISED -
c:\pwork\pwork\stevfenmk\d0186535\074468-sh1-detail.dgn		DRAWN -	REVISED -
Default	PLOT SCALE = 100.0000' / 1".	CHECKED -	REVISED -
	PLOT DATE = 6/6/2014	DATE -	REVISED -

**STATE OF ILLINOIS  
DEPARTMENT OF TRANSPORTATION**

**PAVING DETAILS**

SCALE: N/A SHEET 1 OF 1 SHEETS STA. TO STA.

F.A.I. RTE.	SECTION	COUNTY	TOTAL SHEETS	SHEET NO.
57	(15,18-20),(15-21,22)RS-2	Coles	15	8
CONTRACT NO. 74468			ILLINOIS FED. AID PROJECT	