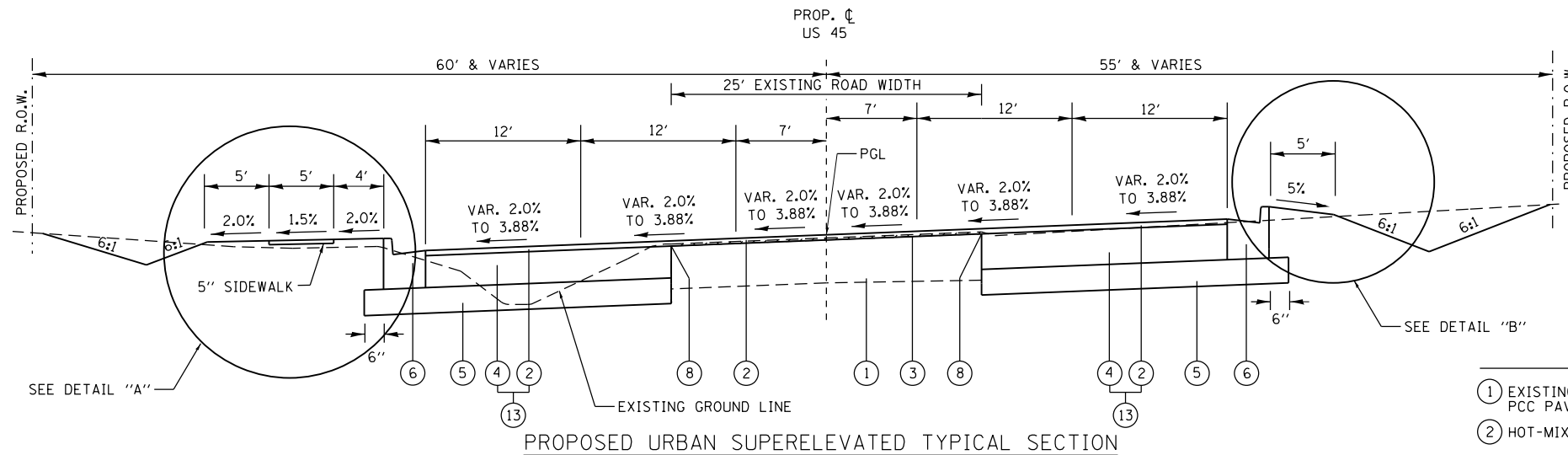


PAVEMENT STRUCTURE DESIGN

STRUCTURAL DESIGN TRAFFIC: YEAR 2024
 PV = 9470 SU = 595 MU = 235
 ROAD/STREET CLASSIFICATION: CLASS 1
 PERCENT OF STRUCTURAL DESIGN TRAFFIC IN DESIGN LANE:
 P = 32% S = 45% M = 45%
 TRAFFIC FACTOR: ACTUAL TF = 1.74
 MINIMAL TF = 3.56
 PG GRADE: BINDER = 64-22 SURFACE = 64-22

NOMINAL THICKNESS FOR EACH LIFT OF BINDER SHALL BE AS FOLLOWS:

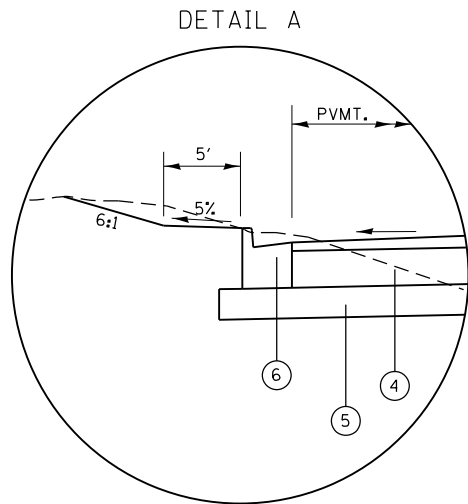
9" BINDER
 1st LIFT 3"
 2nd LIFT 3"
 3rd LIFT 3"



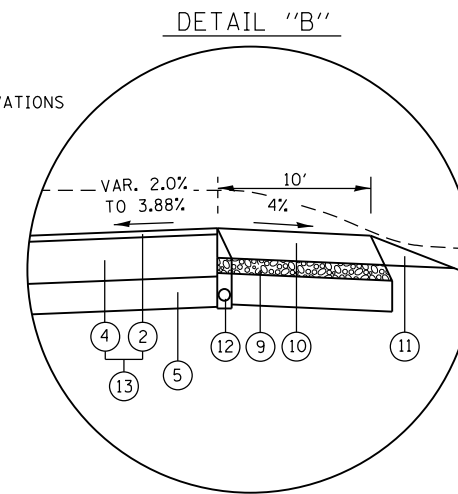
PROPOSED URBAN SUPERELEVATED TYPICAL SECTION

TO BE USED: STA. 422+32.59 TO 434+60.86

NOTE: FOR SUPERELEVATION TRANSITION
 SEE SUPERELEVATION SCHEDULE
 SEE CROSS SECTIONS FOR DITCH LOCATION AND ELEVATIONS



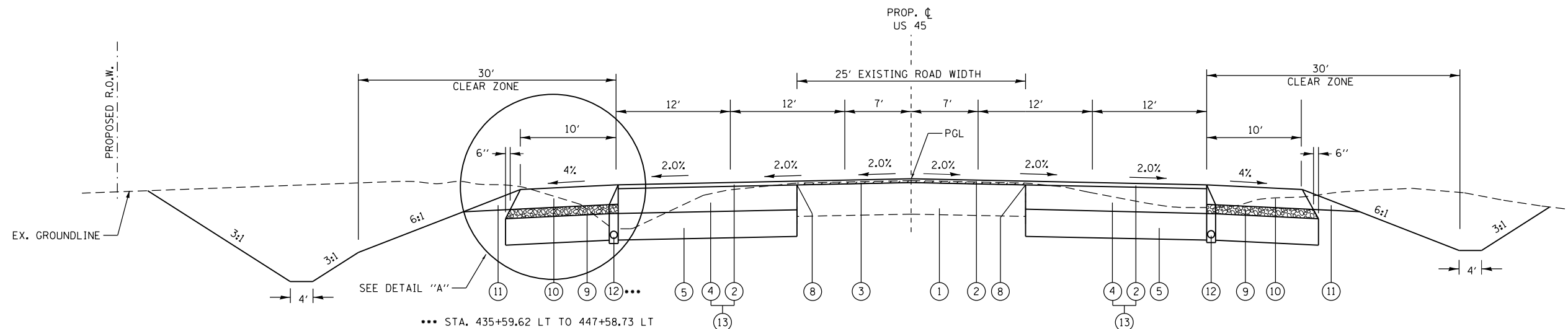
TO BE USED: STA. 433+34.74 TO 435+59.62 LT
 (GUTTER OUTLET STA. 435+59+62 TO STA. 435+74.62 LT)



TO BE USED: STA. 433+24.18 RT. TO 434+60.86 RT.

LEGEND

- ① EXISTING HOT-MIX ASPHALT RESURFACED PCC PAVEMENT, 14"
- ② HOT-MIX ASPHALT SURFACE COURSE, MIX D, N90, 2 1/4"
- ③ HOT-MIX ASPHALT SURFACE REMOVAL, VARIABLE DEPTH
- ④ HOT-MIX ASPHALT BINDER COURSE, N90, IL-19.0, 9"
- ⑤ PROCESSING LIME MODIFIED SOILS (12" MIN.) (SEE GEOTECHNICAL REPORT FOR DEPTH OF PROPOSED LIME MODIFICATION)
- ⑥ COMBINATION CONCRETE CURB & GUTTER, TYPE B-6.24
- ⑧ STRIP REFLECTIVE CRACK CONTROL TREATMENT
- ⑨ SUB-BASE GRANULAR MATERIAL TYPE "C"
- ⑩ HOT-MIX ASPHALT SHOULDERS, 8"
- ⑪ AGGREGATE SHOULDERS, TYPE B
- ⑫ PIPE UNDERDRAINS, 4" (HWY STD. 601001)
- ⑬ HOT-MIX ASPHALT PAVEMENT (FULL DEPTH), 11.25"



PROPOSED URBAN TRANSITION TYPICAL SECTION

TO BE USED: STA. 434+60.86 TO 447+58.73
 SEE CROSS SECTIONS FOR DITCH LOCATIONS AND ELEVATIONS

FILE NAME =	USER NAME = bemery	DESIGNED -	REVISED -
P:\Projects\2011 Projects\11297 - IDOT US 45 Ph2\CV\CADD Sheets\0978077-sht-typical.dgn		DRAWN -	REVISED -
		CHECKED -	REVISED -
		DATE -	REVISED -

STATE OF ILLINOIS
 DEPARTMENT OF TRANSPORTATION

TYPICAL SECTIONS			
U.S. 45			
SCALE: N.T.S.	SHEET NO. 2 OF	SHEETS	STA. TO STA.

F.A.P. RTE.	SECTION	COUNTY	TOTAL SHEETS	SHEET NO.
332	(29,30)R-1	SALINE	745	25
CONTRACT NO. 78077				
FED. ROAD DIST. NO. ILLINOIS FED. AID PROJECT				