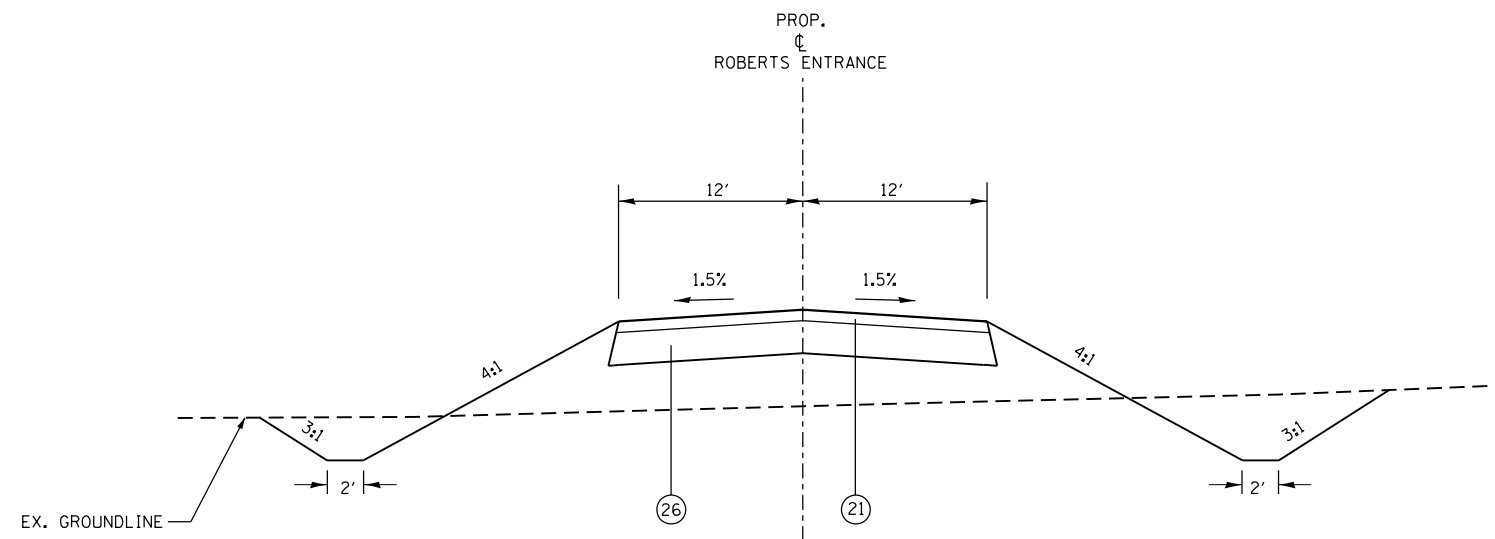


LEGEND

- ②1 HOT-MIX ASPHALT SURFACE COURSE, MIX C, N90, 2"
- ②6 AGGREGATE BASE COURSE TYPE A, 6"



PROPOSED ROBERTS ENTRANCE
 TO BE USED: STA. 0+15.00 TO STA. 3+09.32 (ROBERTS ENTRANCE)

FILE NAME =	USER NAME = bemory	DESIGNED -	REVISED -
P:\Projects\2011 Projects\11297 - IDOT US 5 Ph2\CV\CADD Sheets\0978077-sht-typical.dgn		DRAWN -	REVISED -
	PLOT SCALE = 100.0000' / 1in.	CHECKED -	REVISED -
	PLOT DATE = 4/30/2014	DATE -	REVISED -

STATE OF ILLINOIS
 DEPARTMENT OF TRANSPORTATION

TYPICAL SECTIONS
 BIKE PATH

SCALE: N.T.S. SHEET NO. 1 OF SHEETS STA. TO STA.

F.A.P. RTE.	SECTION	COUNTY	TOTAL SHEETS	SHEET NO.
332	(29,30)R-1	SALINE	745	38
FED. ROAD DIST. NO. ILLINOIS FED. AID PROJECT			CONTRACT NO. 78077	