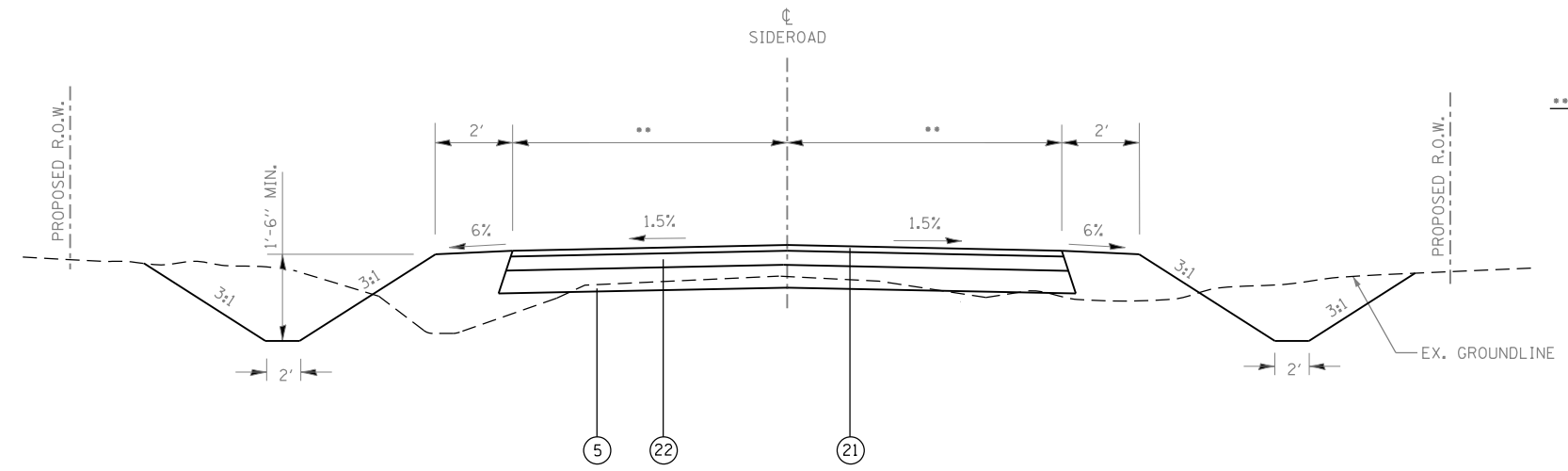


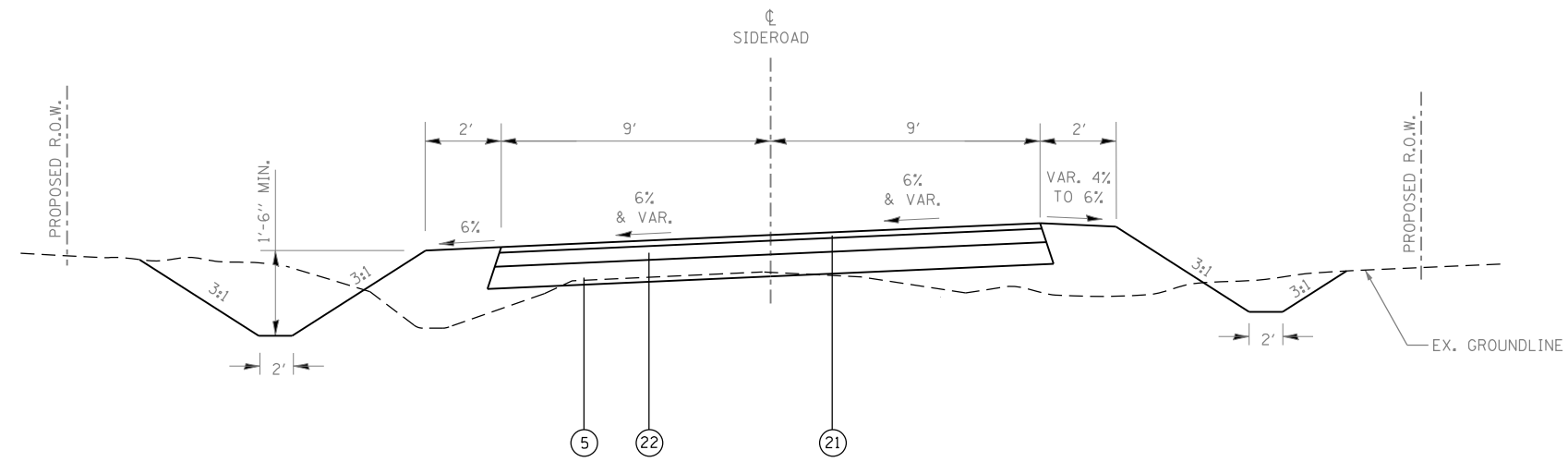
TO BE USED: NORTH COOK RD. STA. 10+49.97 TO 11+36.58
 VANGAMPLER RD. STA. 10+49.00 TO 10+98.99
 STA. 18+33.64 TO 18+65.63
 FLANDERS RD. STA. 10+49.00 TO 11+01.50
 COTTONWOOD RD. STA. 10+49.09 TO 10+79.74
 STA. 19+61.91 TO 19+84.41



** PAVEMENT LANE WIDTHS
 9' - VANGAMPLER RD.
 9' - FLANDERS RD.
 9' - COTTONWOOD RD.
 11' - COOK RD. (NORTH)

PROPOSED RURAL SIDEROAD TANGENT TYPICAL SECTION

TO BE USED: VANGAMPLER RD. STA. 10+98.99 TO 15+26.89
 FLANDERS RD. STA. 11+01.50 TO 11+70.51
 COTTONWOOD RD. STA. 10+79.74 TO 15+98.59



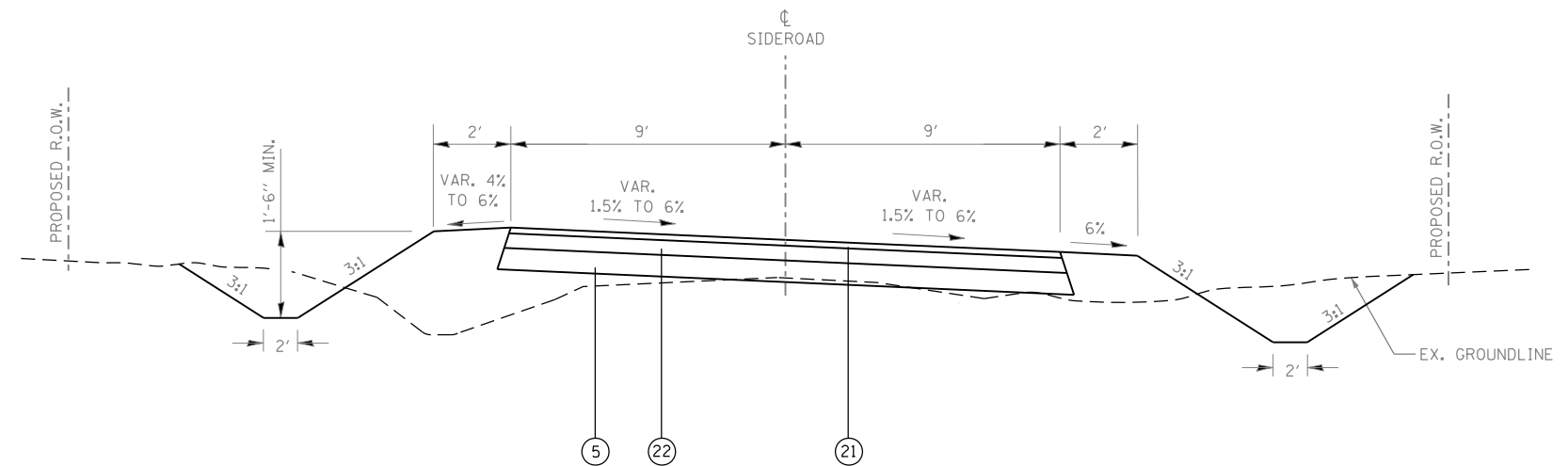
LEGEND

- ⑤ PROCESSING LIME MODIFIED SOILS (12" MIN.)
(SEE GEOTECHNICAL REPORT FOR DEPTH OF PROPOSED LIME MODIFICATION)
- ②① HOT-MIX ASPHALT SURFACE COURSE, MIX C, N90, 2"
- ②② AGGEGATE BASE COURSE TYPE A, 9"
- REMOVAL

PROPOSED RURAL SIDEROAD SUPERELEVATED TYPICAL SECTION

NOTE: FOR SUPERELEVATION TRANSITION
 SEE SUPERELEVATION SCHEDULE

TO BE USED: VANGAMPLER RD. STA. 15+26.89 TO 18+33.64
 COTTONWOOD RD. STA. 15+98.59 TO 19+61.91
 GANDERTOWN RD. STA. 19+93.86 TO 25+90.06



PROPOSED RURAL SIDEROAD SUPERELEVATED TYPICAL SECTION

NOTE: FOR SUPERELEVATION TRANSITION
 SEE SUPERELEVATION SCHEDULE

FILE NAME =	USER NAME = bemory	DESIGNED -	REVISED -
P:\Projects\2011 Projects\11297 - IDOT US 5 Ph2\CV\CADD Sheets\0978077-sht-Stage2.dgn		DRAWN -	REVISED -
Default	PLOT SCALE = 400.0000' / in.	CHECKED -	REVISED -
	PLOT DATE = 4/30/2014	DATE -	REVISED -

STATE OF ILLINOIS
 DEPARTMENT OF TRANSPORTATION

CONSTRUCTION STAGING PLAN
 STAGE 2

SCALE: N.T.S. SHEET OF SHEETS STA. TO STA.

F.A.P. RTE.	SECTION	COUNTY	TOTAL SHEETS	SHEET NO.
332	(29,30)R-1	SALINE	745	265
CONTRACT NO. 78077				
ILLINOIS FED. AID PROJECT				