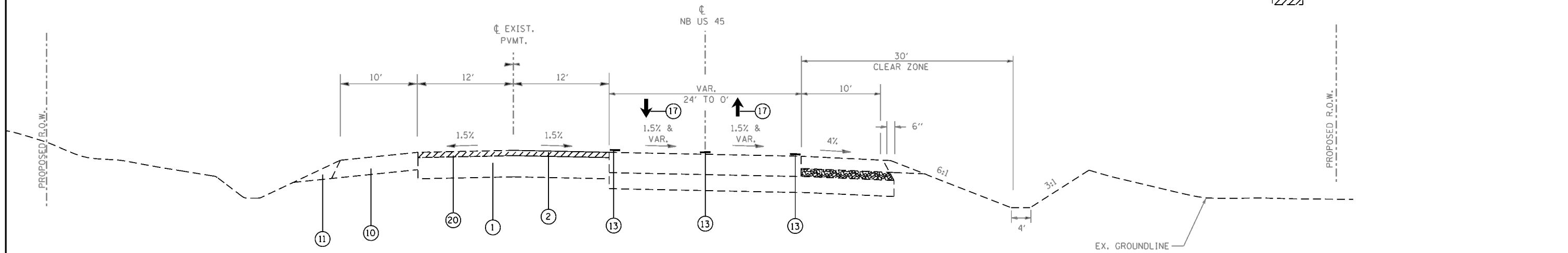


PROPOSED RURAL TRANSITION TYPICAL SECTION

TO BE USED: STA. 705+49.18 TO 706+32.35 (CL U.S. 45) = STA. 2705+55.12 TO 2706+37.58 (NB CROSSOVER)

LEGEND

- ① EXISTING HOT-MIX ASPHALT RESURFACED PCC PAVEMENT, 14"
- ② HOT-MIX ASPHALT SURFACE COURSE, MIX D, N90, 2 1/4"
- ④ HOT-MIX ASPHALT BINDER COURSE, N90, IL-19.0, 9"
- ⑤ PROCESSING LIME MODIFIED SOILS (12" MIN.) (SEE GEOTECHNICAL REPORT FOR DEPTH OF PROPOSED LIME MODIFICATION)
- ⑨ SUB-BASE GRANULAR MATERIAL TYPE "C" (TO BE OMITTED IF ALT B IS USED)
- ⑩ ALT A: HOT-MIX ASPHALT SHOULDERS, 8" OR ALT B: PORTLAND CEMENT CONCRETE SHOULDERS, 9"
- ⑪ AGGREGATE SHOULDERS, TYPE B
- ⑫ PIPE UNDERDRAINS, 4" (HWY STD. 601001)
- ⑬ TEMPORARY PAVEMENT MARKING FROM STAGE 2 TO REMAIN IN PLACE
- ⑰ MAINTAIN TRAFFIC ON U.S. 45 FROM STAGE 2
- ⑲ ALT A: HOT-MIX ASPHALT PAVEMENT (FULL DEPTH), 11.25" OR ALT B: PORTLAND CEMENT PAVEMENT, 9" (JOINTED)
- ⑳ HOT-MIX ASPHALT SURFACE REMOVAL, VARIABLE DEPTH



PROPOSED RURAL TRANSITION TYPICAL SECTION

TO BE USED: STA. 706+32.35 TO 710+60.78 (CL U.S. 45)

NOTE: ALT A & ALT B OPTION ENDS AT STATION 710+60.78

FILE NAME =	USER NAME = bsmery	DESIGNED -	REVISED -	STATE OF ILLINOIS DEPARTMENT OF TRANSPORTATION	CONSTRUCTION STAGING PLAN STAGE 3			F.A.P. RTE.	SECTION	COUNTY	TOTAL SHEETS	SHEET NO.
P:\Projects\2011 Projects\11297 - IDOT US 45 Ph2\CV\CADD Sheets\0978077-sht-Stage3.dgn	DRAWN -	REVISED -	REVISED -					332	(29,30)R-1	SALINE	745	300
Default	PLOT SCALE = 400.0000' / 1in.	CHECKED -	REVISED -		CONTRACT NO. 78077							
	PLOT DATE = 4/30/2014	DATE -	REVISED -		SCALE: N.T.S.	SHEET	OF	SHEETS	STA.	TO	STA.	ILLINOIS FED. AID PROJECT