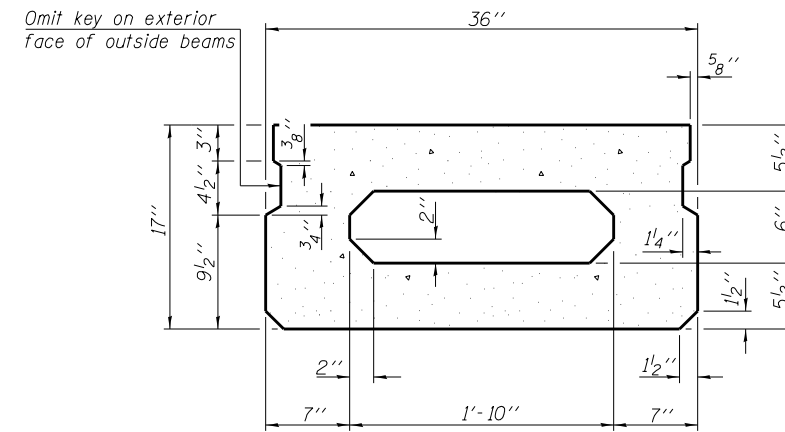
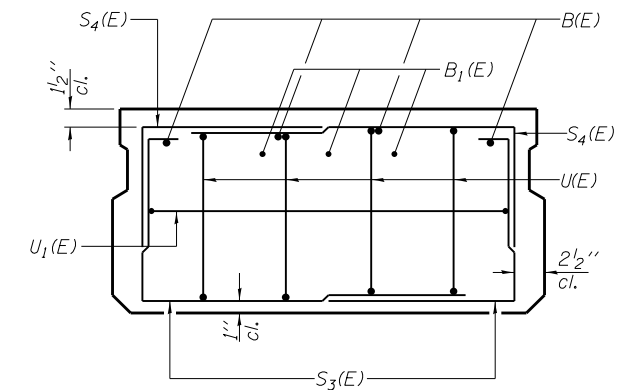


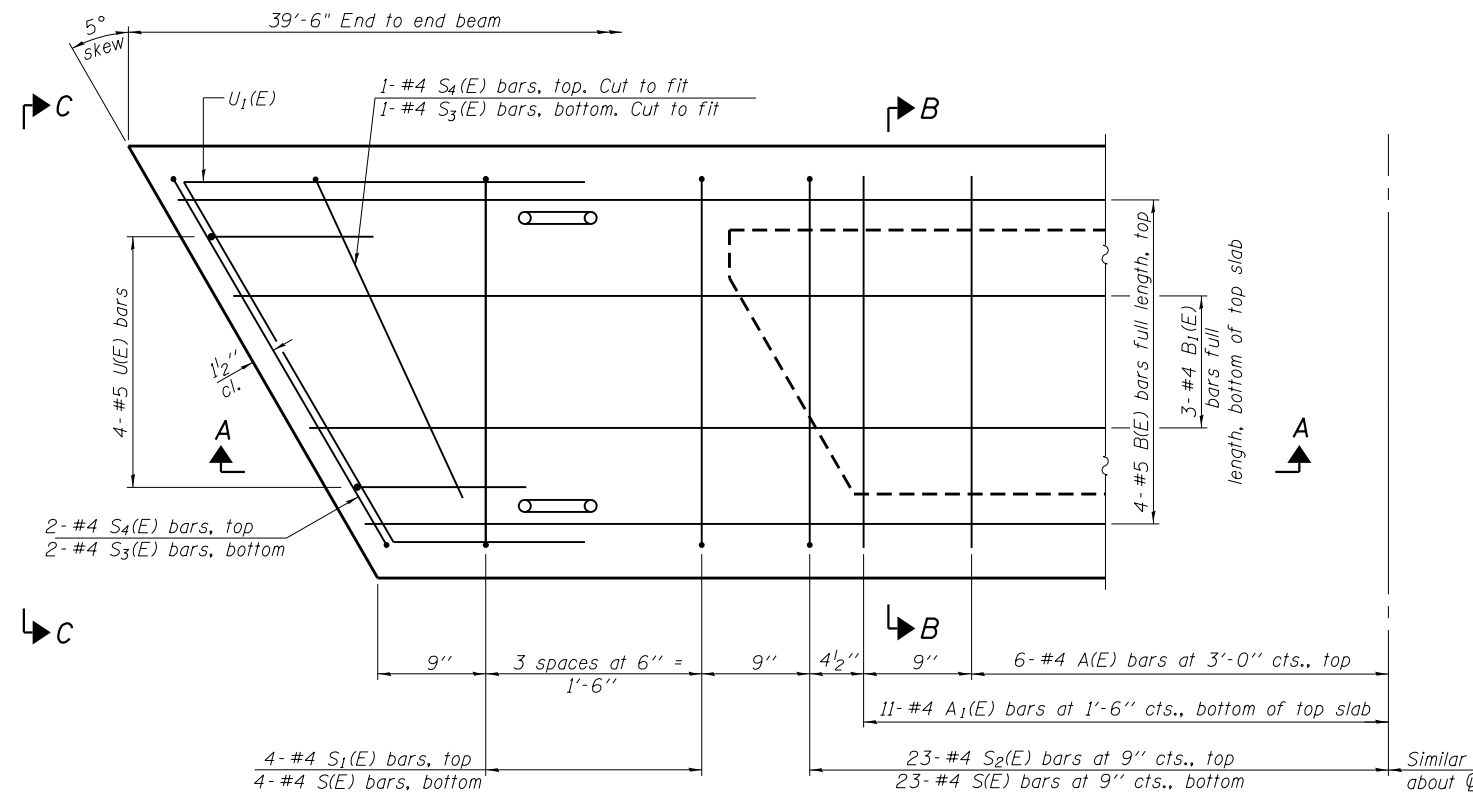
**SECTION A-A**



**SECTION B-B**  
(Showing dimensions)

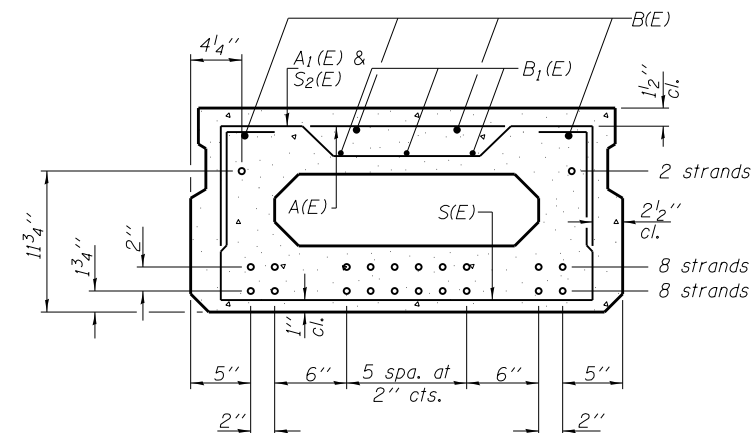


**VIEW C-C**



**PLAN VIEW**

Note: Spacing of S(E) and S<sub>2</sub>(E) bars may be adjusted up to 4" in the immediate area of the transverse tie diaphragms to miss the block outs for the transverse ties.



**SECTION B-B**

(Showing reinforcement and permissible strand locations)

Note: Place the number of strands specified in each row symmetrically about the centerline of beam in the permissible strand locations shown.

**BAR LIST**  
**ONE BEAM ONLY**  
(For information only)

Bar	No.	Size	Length	Shape
A(E)	12	#4	2'-7"	—
A <sub>1</sub> (E)	22	#4	2'-10"	—
B(E)	4	#5	39'-3"	—
B <sub>1</sub> (E)	3	#4	39'-3"	—
S(E)	54	#4	5'-9"	□
S <sub>1</sub> (E)	8	#4	4'-3"	□
S <sub>2</sub> (E)	46	#4	4'-6"	□
S <sub>3</sub> (E)	6	#4	4'-0"	□
S <sub>4</sub> (E)	6	#4	3'-3"	□
U(E)	8	#5	3'-8"	□
U <sub>1</sub> (E)	2	#4	5'-3"	□

Note: See sheet 12 of 17 for additional details and Bill of Material.

**MINIMUM BAR LAP**

#4 bar = 2'-0"  
#5 bar = 2'-6"

PD-1736-R

7-1-10

**LE** LIN ENGINEERING, LTD.  
Consulting Engineers  
Springfield, Illinois

USER NAME =	DESIGNED - RPW	REVISED
FILE NAME =	CHECKED - LMS	REVISED
PLOT SCALE =	DRAWN - AJF	REVISED
PLOT DATE =	CHECKED - LMS	REVISED

**STATE OF ILLINOIS**  
**DEPARTMENT OF TRANSPORTATION**

**17" x 36" PPC DECK BEAM**  
**STRUCTURE NO. 083-6008**

SHEET NO. 11 OF 17 SHEETS

F.A.P. R.T.E.	SECTION	COUNTY	TOTAL SHEETS	SHEET NO.
332	(29,30)R-1	SALINE	745	459
CONTRACT NO. 78077				
ILLINOIS FED. AID PROJECT				