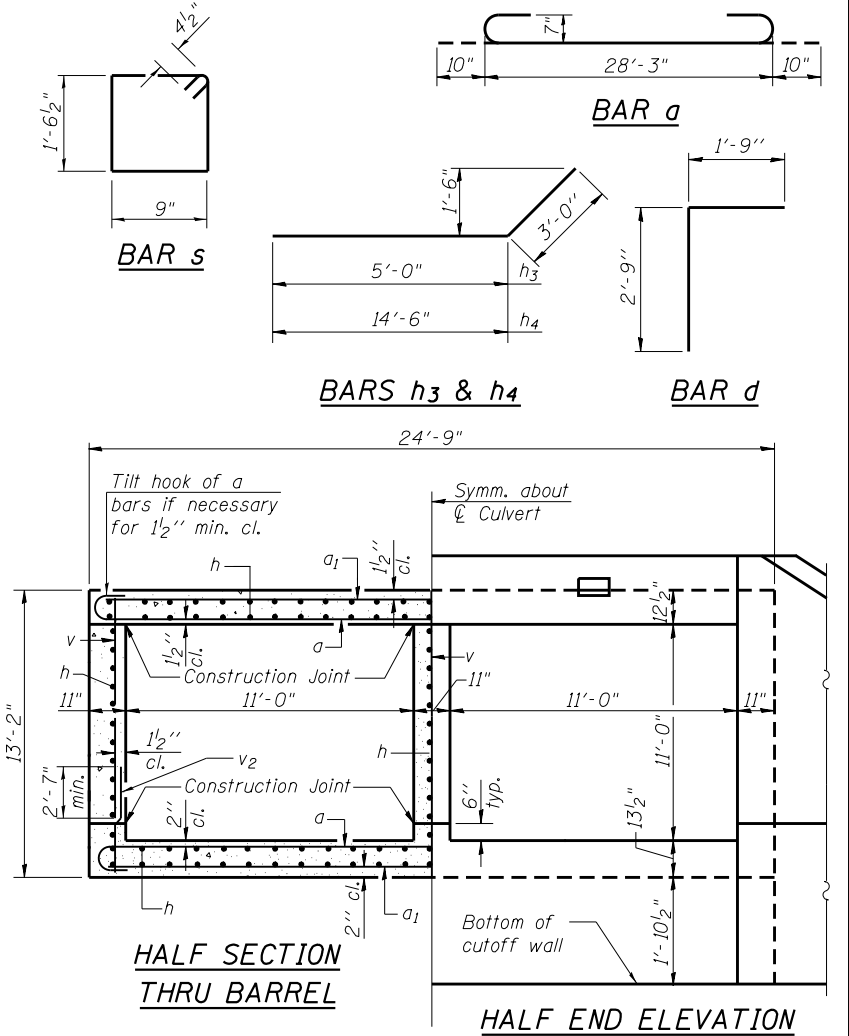
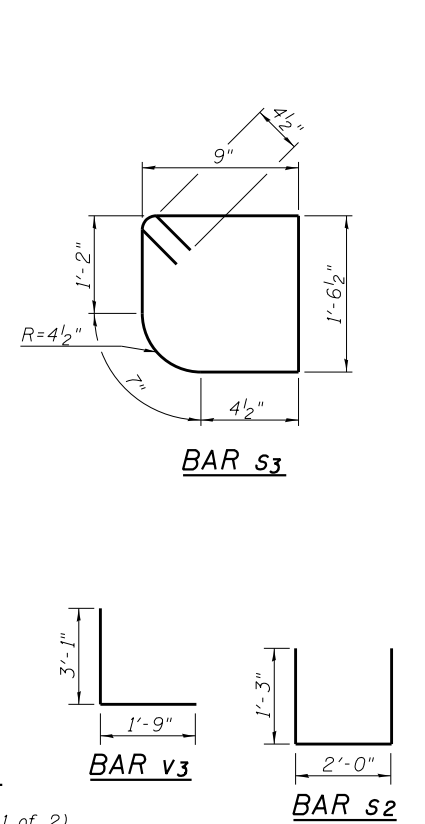
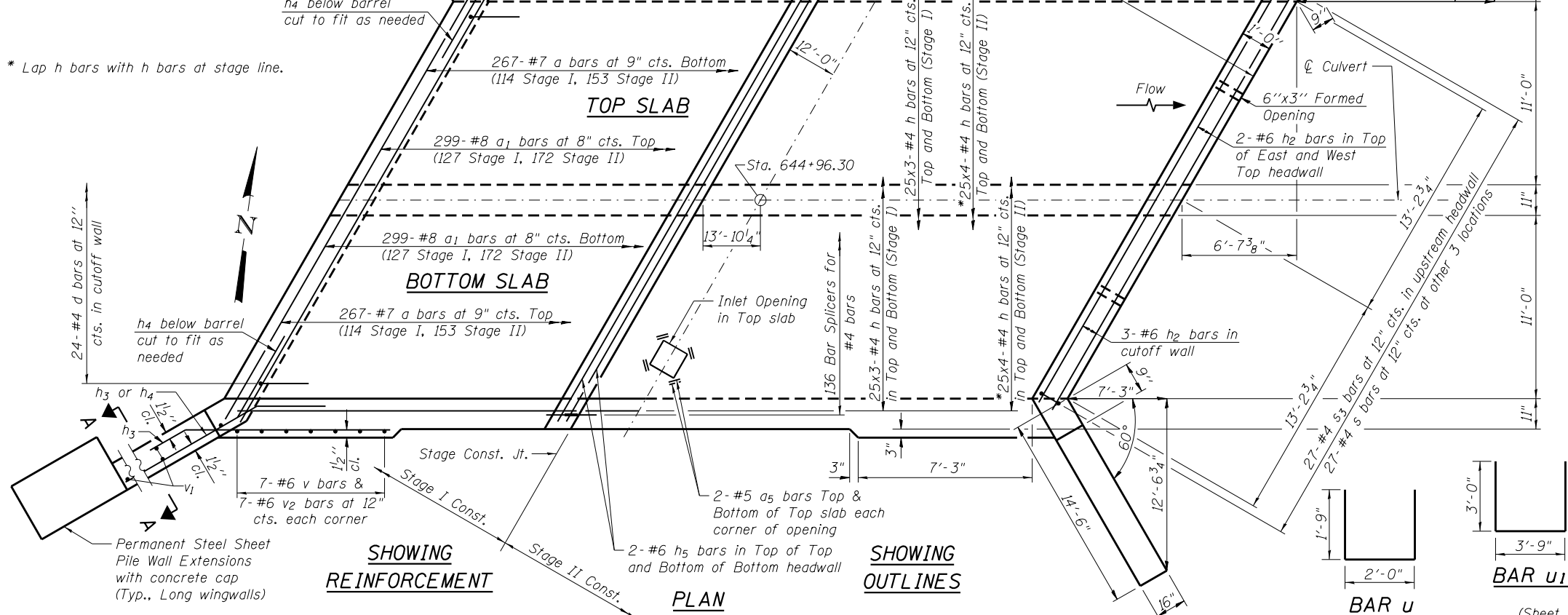


MIN. BAR LAP
 #4 bars = 1'-9"
 #6 bars = 2'-7"

SECTION A-A



Notes:
 A distance of half the length of the wingwall but not less than six feet of the barrel shall be poured monolithically with the wingwalls.
 Bars indicated thus 12x4-#5 etc. indicates 12 lines of bars with 4 lengths per line.
 For Permanent Steel Sheet Pile Wall Extension Details, Inlet Details and Drain Details, see Sheet 5 of 7.
 Cut reinforcement to miss inlet opening in Top Slab.



LIN ENGINEERING, LTD.
 Consulting Engineers
 Springfield, Illinois

USER NAME =	DESIGNED - RPW	REVISED
FILE NAME =	CHECKED - LMS	REVISED
PLOT SCALE =	DRAWN - AJF	REVISED
PLOT DATE	CHECKED - LMS	REVISED

STATE OF ILLINOIS
DEPARTMENT OF TRANSPORTATION

CULVERT DETAILS
STRUCTURE NO. 083-2023
 SHEET NO. 4 OF 7 SHEETS

F.A.P. RTE. 332	SECTION (29,30)R-1	COUNTY SALINE	TOTAL SHEETS 745	SHEET NO. 469
CONTRACT NO. 78077				ILLINOIS FED. AID PROJECT