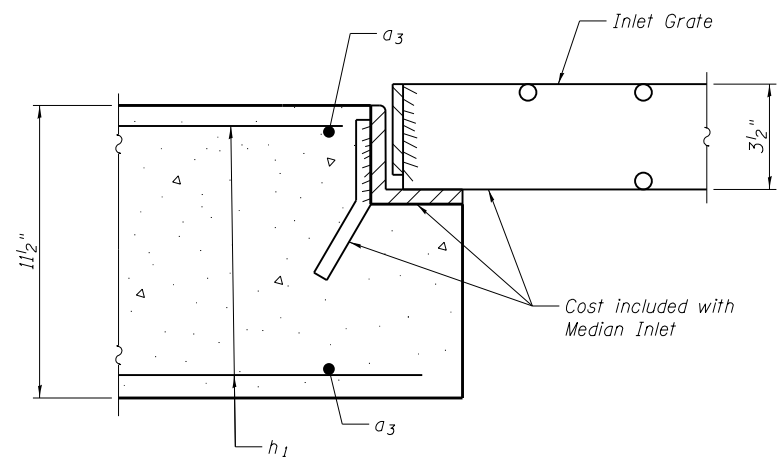
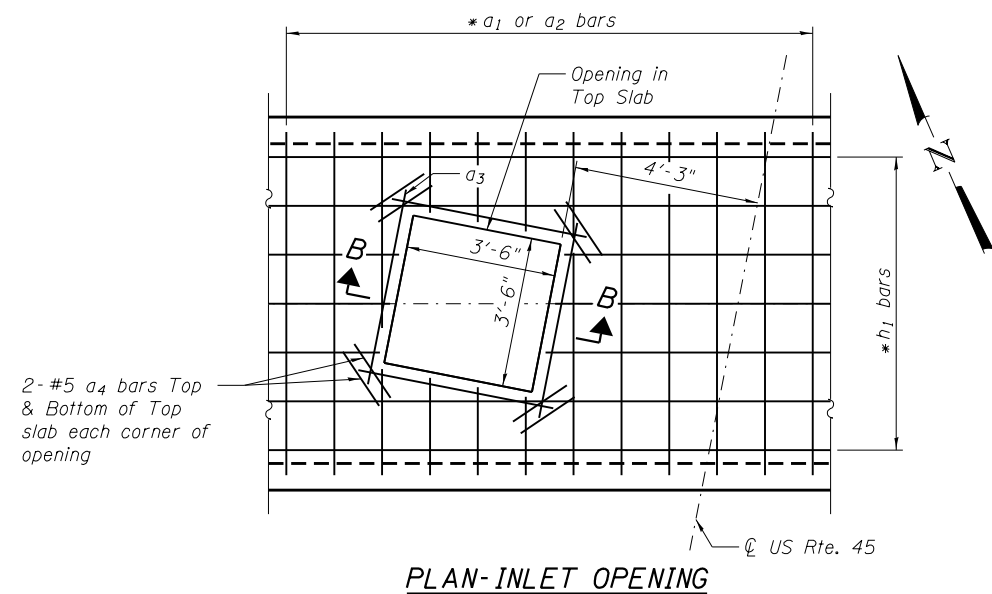


SECTION B-B

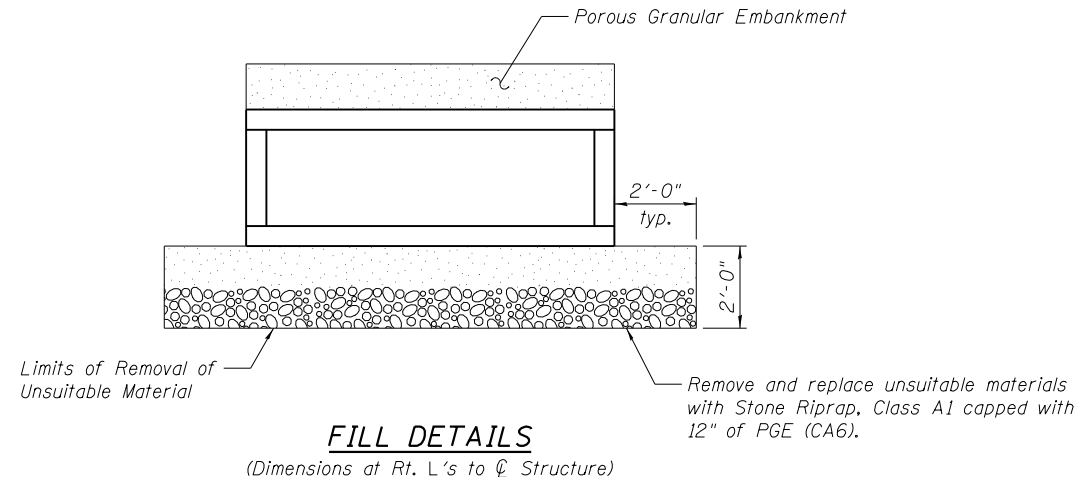


DETAIL B

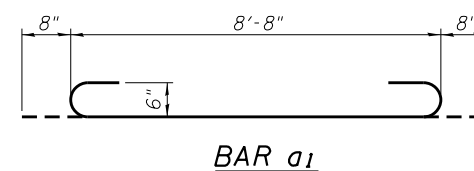


PLAN-INLET OPENING

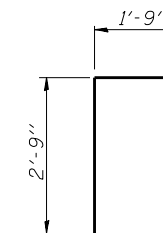
* Cut reinforcement to miss inlet opening in Top Slab.



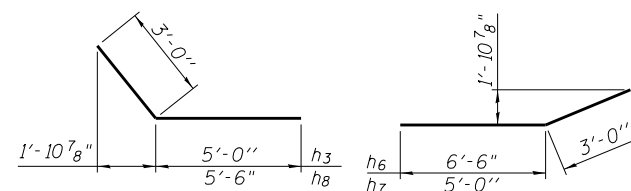
FILL DETAILS
(Dimensions at Rt. L's to \bar{C} Structure)



BAR a1

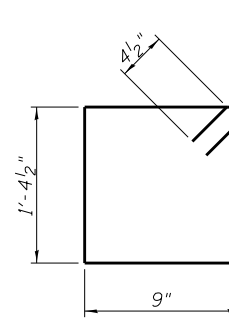


BAR d

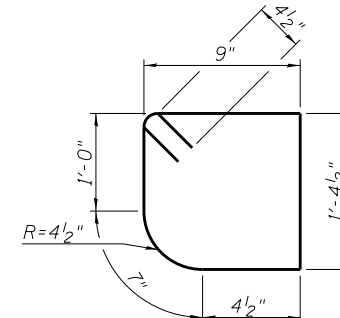


BARS h3 & h8

BARS h6 & h7



BAR s



BAR s1

BILL OF MATERIAL

Bar	No.	Size	Length	Shape
a1	438	#6	10'-0"	U
a2	222	#4	8'-8"	—
a3	8	#6	6'-6"	—
a4	16	#5	2'-0"	—
d	18	#4	4'-6"	L
h	72	#5	33'-6"	—
h1	108	#5	34'-0"	—
h2	16	#6	8'-11"	—
h3	12	#5	8'-0"	—
h4	4	#6	7'-9"	—
h6	16	#5	9'-6"	—
h7	14	#5	8'-0"	—
h8	12	#5	8'-6"	—
s	18	#4	5'-0"	□
s1	9	#4	4'-10"	□
v	332	#4	4'-8"	—
v1	16	#4	7'-4"	—
Concrete Box Culverts			Cu. Yd.	133.4
Reinforcement Bars			Pound	16330