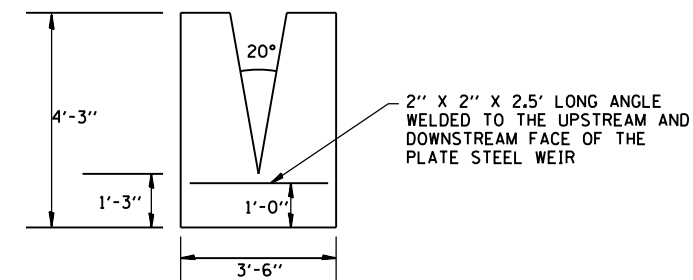
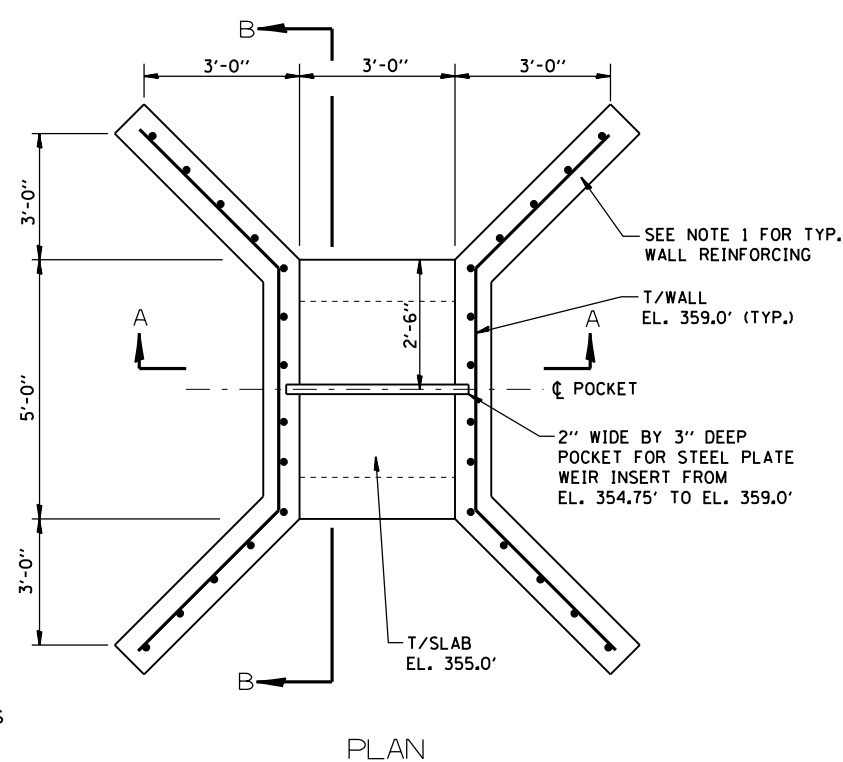
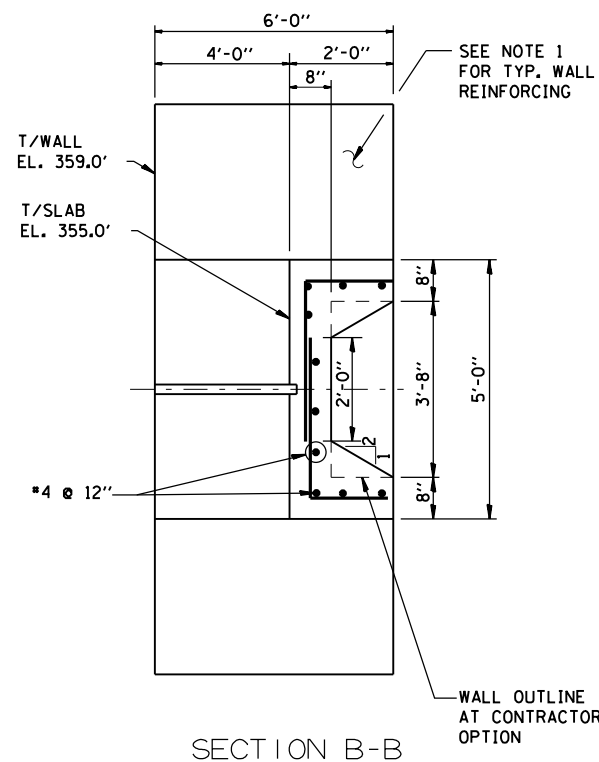


SPILLWAY



1/4" THICK PLATE STEEL WEIR INSERT

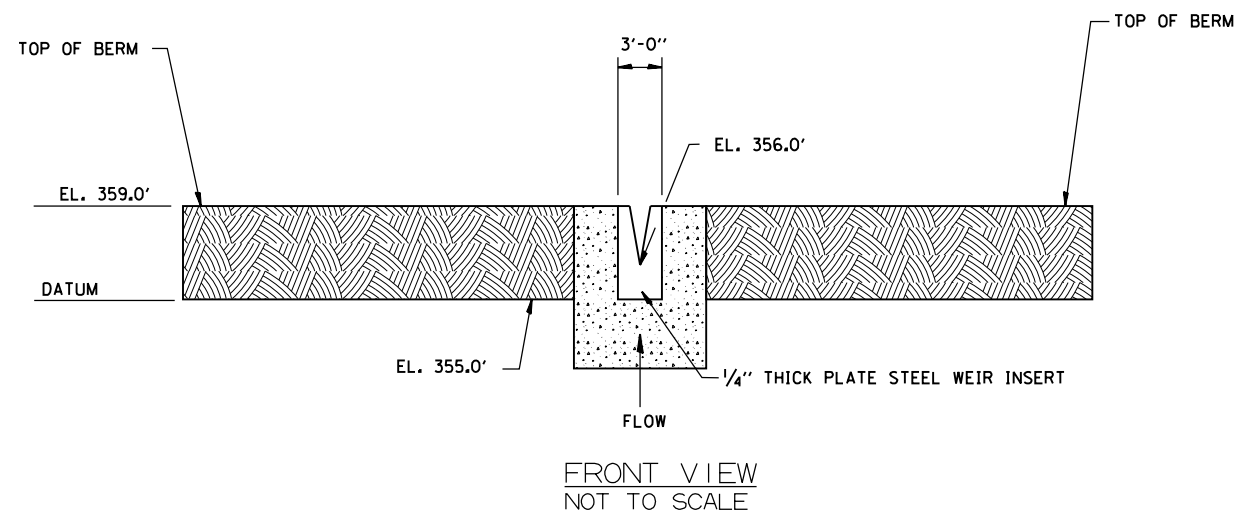
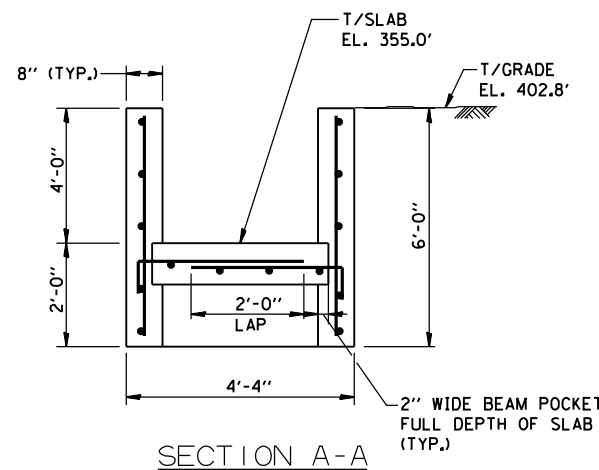
NOTE: THE COST OF THE 1/4" THICK STEEL WEIR INSERT SHALL BE INCLUDED IN THE COST FOR STEEL REINFORCEMENT

NOTES:

1. TYPICAL WALL REINFORCING VERTICAL BARS #4 @ 12" HORIZONTAL BARS #5 @ 12".
2. PLACE WALL AND SLAB REINFORCING IN CENTER OF WALL.
3. ALL EXPOSED EDGES OF WALLS SHALL BE CHAMFERED 3/4".

BILL OF MATERIAL

Class SI Concrete (Miscellaneous)	Cu. Yds.	6.7
Reinforcement Bars	Lbs.	280
1/4" Thick Plate Steel Insert	Each	1



FILE NAME =	USER NAME = lavenderba	DESIGNED -	REVISED -
ci:\pw\work\p\idot\lavenderba\d0395921\0978077-sht-details-project.dgn		DRAWN -	REVISED -
Default	PLOT SCALE = 100.000 / in.	CHECKED -	REVISED -
	PLOT DATE = 5/2/2014	DATE -	REVISED -

**STATE OF ILLINOIS
DEPARTMENT OF TRANSPORTATION**

**DETAILS
WETLAND SPILLWAY**

SCALE: SHEET OF SHEETS STA. TO STA.

F.A.P. RTE.	SECTION	COUNTY	TOTAL SHEETS	SHEET NO.
332	(29,30)R-1	SALINE	745	485A
CONTRACT NO. 78077				
ILLINOIS FED. AID PROJECT				