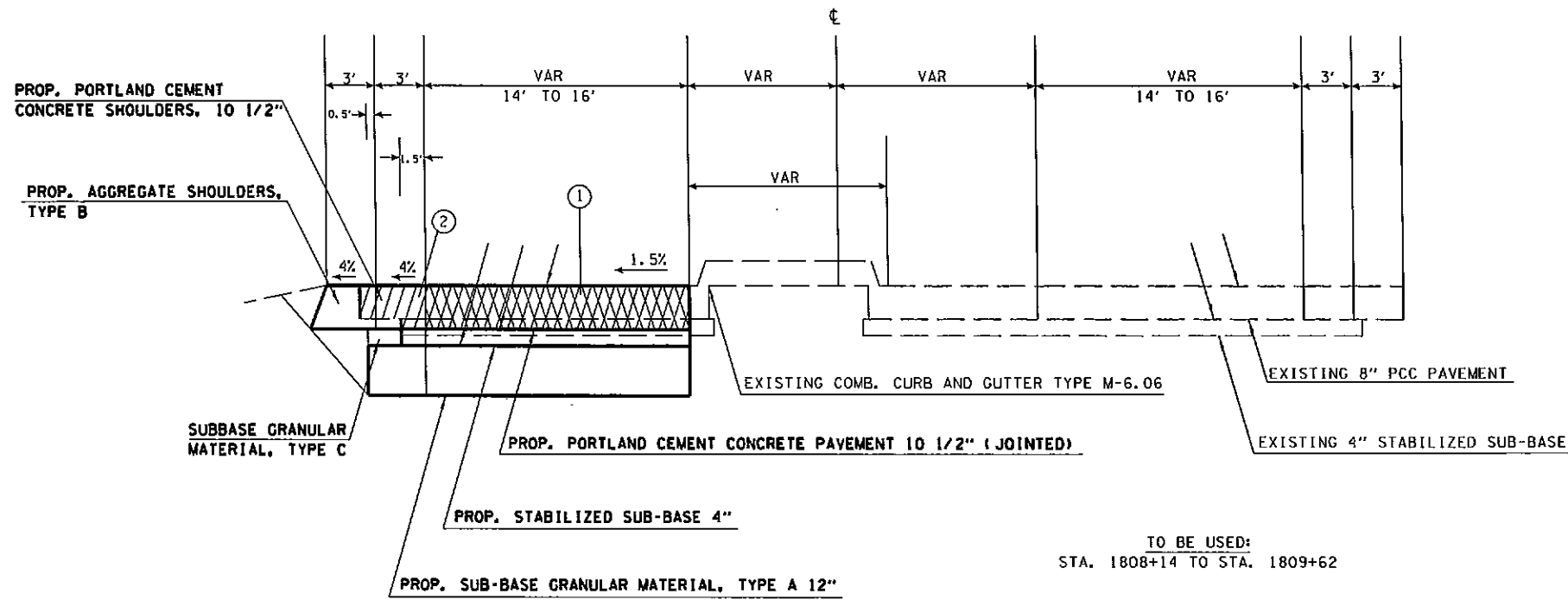
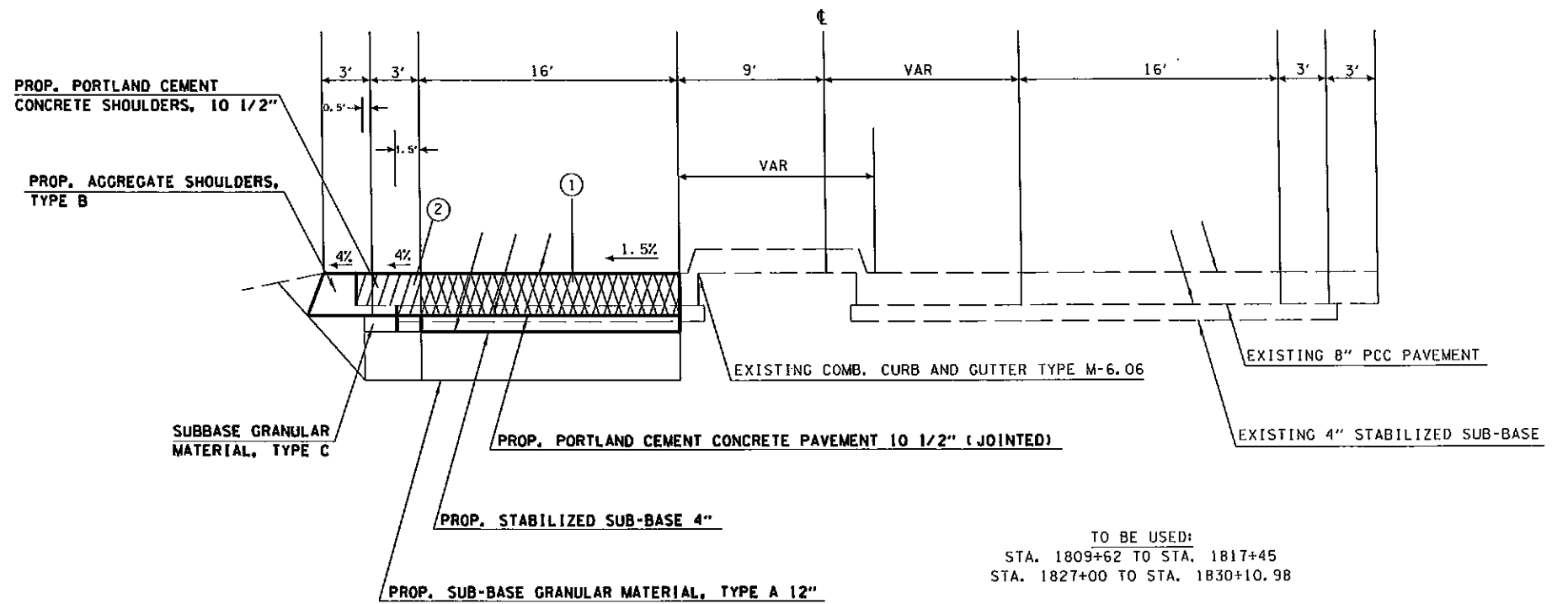


TYPICAL SECTIONS

IL 13



- ① - PROP. PAVEMENT REMOVAL
- ② - PROP. PAVED SHOULDER REMOVAL



FILE NAME =	USER NAME = *USER*	DESIGNED - _____	REVISED - _____	STATE OF ILLINOIS DEPARTMENT OF TRANSPORTATION	TYPICAL SECTIONS	P.A.P. RTE. =	SECTION	COUNTY	TOTAL SHEETS	SHEET NO.
#FILE#		DRAWN - _____	REVISED - _____			351	09 CM PAVEMENT REPAIR 2015-1	GALLATIN	9	6
#MODELNAME#	PLOT SCALE = *SCALE*	CHECKED - _____	REVISED - _____		SCALE: _____ SHEET _____ OF _____ SHEETS STA. _____ TO STA. _____				CONTRACT NO. 78426	
	PLOT DATE = *DATE*	DATE - _____	REVISED - _____						ILLINOIS FED. AID PROJECT	