

STATE OF ILLINOIS
DEPARTMENT OF TRANSPORTATION
DIVISION OF HIGHWAYS

**PROPOSED
HIGHWAY PLANS**

ROUTE IL 13 (FAP 331)
SECTION D9 CM PAVEMENT REPAIR 2015-1

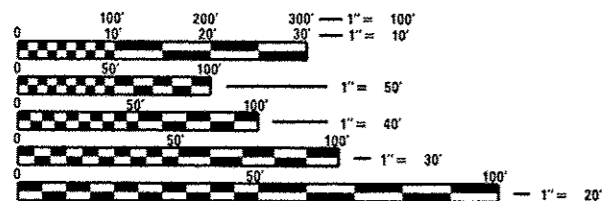
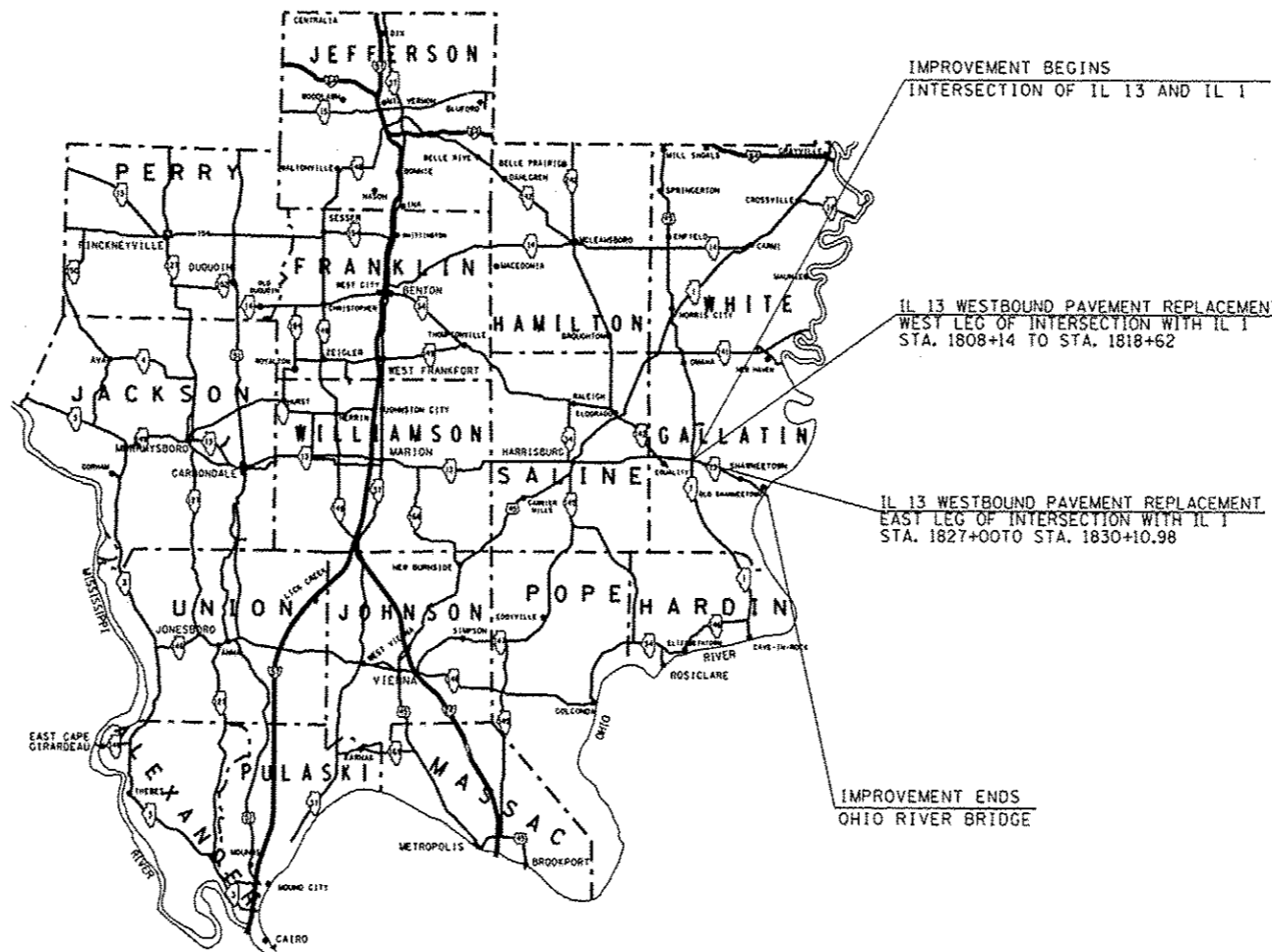
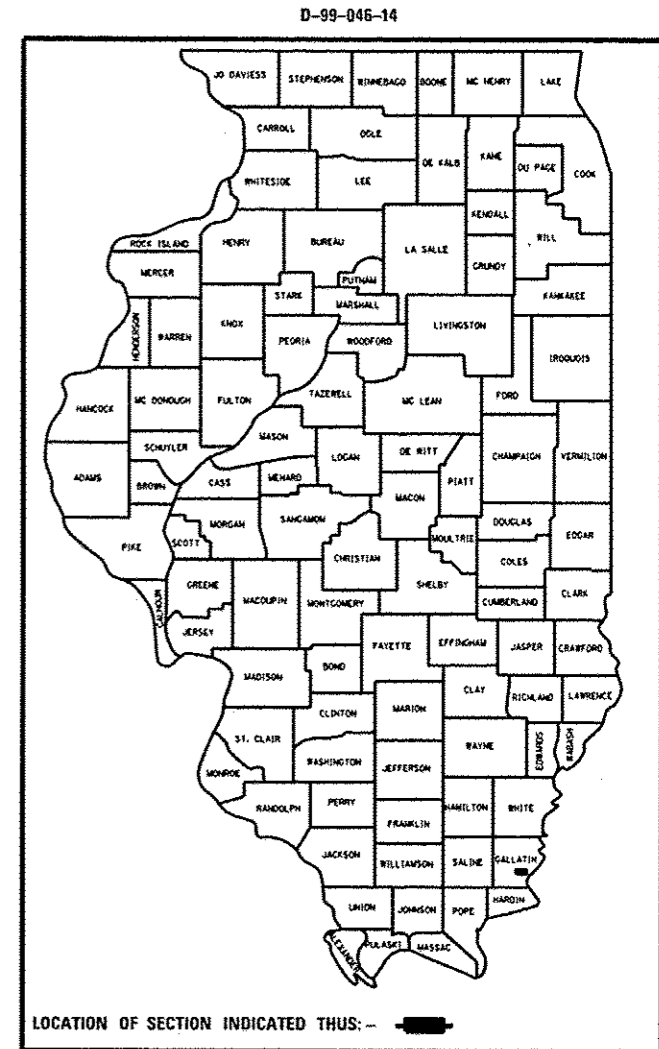
TYPE of IMPROVEMENT
GALLATIN COUNTY

C-99-054-14

FOR INDEX OF SHEETS, SEE SHEET NO. 2

LOCATION	ADT (2013)	SU	MU
IL 13 EAST OF IL 1	4350	150	1300
IL 13 WEST OF IL 1	5700	250	1600

F.A.P. RTE.	SECTION	COUNTY	TOTAL SHEETS	SHEET NO.
331	D9 CM PAVEMENT REPAIR 2015-1	GALLATIN	9	1
		ILLINOIS	CONTRACT NO. 78426	



FULL SIZE PLANS HAVE BEEN PREPARED USING STANDARD ENGINEERING SCALES. REDUCED SIZED PLANS WILL NOT CONFORM TO STANDARD SCALES. IN MAKING MEASUREMENTS ON REDUCED PLANS, THE ABOVE SCALES MAY BE USED.

J.U.L.I.E.
JOINT UTILITY LOCATION INFORMATION FOR EXCAVATION
1-800-892-0123
OR 811

PROJECT ENGINEER CAROLYN ELDRIDGE
PROJECT MANAGER SUSAN POE

CONTRACT NO. 78426

GROSS LENGTH = 2196.98 = 0.416 MILE
NET LENGTH = 1358.98 FT. = 0.257 MILE

STATE OF ILLINOIS
DEPARTMENT OF TRANSPORTATION
DIVISION OF HIGHWAYS

SUBMITTED May 17 20 14

Jeffrey J. [Signature]
DEPUTY DIRECTOR OF HIGHWAYS, REGION ENGINEER

June 27 20 14
John D. Baranzoli, P.E.
ENGINEER OF DESIGN AND ENVIRONMENT

June 27 20 14
Omer Osman, P.E.
DIRECTOR OF HIGHWAYS, CHIEF ENGINEER

PRINTED BY THE AUTHORITY
OF THE STATE OF ILLINOIS

INDEX OF SHEETS

SHEET NO.	DESCRIPTION
1	COVER SHEET
2	INDEX OF SHEETS, STANDARDS, COMMITMENTS, GENERAL NOTES, SIGNATURE BLOCK
3 - 5	SUMMARY OF QUANTITIES
6 - 7	TYPICAL SECTIONS
8	SCHEDULE OF QUANTITIES
9	PROPOSED REMOVAL AND CONSTRUCTION

STANDARDS

000001-06	STANDARD SYMBOLS, ABBREVIATIONS AND PATTERNS
001001-02	AREAS OF REINFORCEMENT BARS
001006	DECIMAL OF AN INCH AND OF A FOOT
420001-07	PAVEMENT JOINTS
420101-04	24' JOINTED PCC PAVEMENT
442101-07	CLASS B PATCHES
483001-04	PCC SHOULDER
606001-05	CONCRETE CURB TYPE B AND COMBINATION CONCRETE CURB AND GUTTER
701001-02	OFF-RD OPERATIONS, 2L, 2W, MORE THAN 15' AWAY
701006-05	OFF-RD OPERATIONS, 2L, 2W, 15' - 24" FROM PAVEMENT EDGE
701201-04	LANE CLOSURE, 2L, 2W, DAY ONLY, FOR SPEEDS > 45 MPH
701206-03	LANE CLOSURE, 2L, 2W, NIGHT ONLY, FOR SPEEDS > 45 MPH
701301-04	LANE CLOSURE, 2L, 2W, SHORT TIME OPERATIONS
701311-03	LANE CLOSURE, 2L, 2W, MOVING OPERATIONS-DAY ONLY
701336-06	LANE CLOSURE, 2L, 2W, WORK AREAS IN SERIES, FOR SPEEDS > 45 MPH
701901-03	TRAFFIC CONTROL DEVICES
780001-04	TYPICAL PAVEMENT MARKINGS
BLR 21-9	TYPICAL APPLICATION OF TRAFFIC CONTROL DEVICES FOR CONSTRUCTION ON RUARL LOCAL HIGHWAYS

COMMITMENTS

NONE

GENERAL NOTES

1) FACTORS USED FOR ESTIMATING PLAN QUANTITIES ARE AS FOLLOWS AND SHALL NOT BE USED FOR THE BASIS OF FINAL QUANTITIES:

ALL HOT MIX ASPHALT	2.016 TONS/CU. YD.
ALL AGGREGATE	2.05 TONS/CU. YD.
BITUMINOUS MATERIALS:	
ON PAVEMENT	0.09 GAL./SQ. YD.
INTERMEDIATE LIFTS (FOG COAT)	0.04 GAL./SQ. YD.
ON AGGREGATE SURFACE	0.32 GAL./SQ. YD.
AGGREGATE (PRIME COAT)	0.0015 TONS/SQ. YD.
RIPRAP	1.50 TONS/CU. YD.

- 2) FORMS FOR (concrete gutters, concrete curbs, combination concrete curb and gutter) SHALL BE OF METAL ONLY, EXCEPT THAT WOOD FORMS MAY BE USED ON SHORT RADIUS CURVES.
- 3) PRIOR TO PLACEMENT OF THE FINAL PAVEMENT MARKINGS THE RESIDENT ENGINEER SHOULD CONTACT THE BUREAU OF OPERATIONS AND ARRANGE FOR INSPECTION AND APPROVAL OF THE PAVEMENT MARKING LAYOUT.
- 4) AT ALL LOCATIONS WHERE THE PROPOSED HOT MIX ASPHALT OR CONCRETE PAVEMENT JOINS AN EXISTING HOT MIX ASPHALT OR CONCRETE PAVEMENT, A FULL DEPTH SAWED JOINT SHALL BE CONSTRUCTED. THE COST OF THIS JOINT WILL BE INCLUDED IN THE COST OF THE TYPE OF PAVEMENT BEING CONSTRUCTED.
- 5) A QUANTITY OF 100 FT OF COMBINATION CURB AND GUTTER, TYPE M-6.06 HAS BEEN ESTIMATED FOR THE MEDIAN OF IL 13 WEST OF IL 1. THE EXACT LOCATION WILL BE DETERMINED BY THE ENGINEER.
- 6) FINAL GRADING OF THE FORESLOPES SHALL BE INCLUDED IN THE COST OF AGGREGATE SHOULDERS, TYPE B, AND SHALL BE TO THE SATISFACTION OF THE ENGINEER.
- 7) EARTHWORK COMPACTION SHALL BE TO THE SATISFACTION OF THE ENGINEER.
- 8) PROTECTIVE COAT SHALL BE APPLIED TO ALL CONCRETE, GUTTER FLAGS, FACE OF CURB AND MEDIAN SURFACE AS NEEDED ACCORDING TO SEASONAL REQUIREMENTS 420.18.
- 9) ONE TYPE IV CLASS B PATCH (12' X 75') HAS BEEN INCLUDED TO ADDRESS PAVEMENT ISSUES IN THE EASTBOUND LANE ON IL 13 BETWEEN SHAWNEETOWN AND THE OHIO RIVER. EXACT LOCATION WILL BE DETERMINED BY THE ENGINEER.
- 10) ONE TYPE IV CLASS B PATCH (12' X 35') HAS BEEN INCLUDED TO ADDRESS PAVEMENT ISSUES IN THE EASTBOUND LANE ON IL 13 BETWEEN SHAWNEETOWN AND THE OHIO RIVER. EXACT LOCATION WILL BE DETERMINED BY THE ENGINEER.
- 11) 60 TYPE II CLASS B PATCHES (12' X 6') HAVE BEEN INCLUDED TO ADDRESS THE LANE CONDITION ISSUES IN IL 13. EXACT LOCATIONS WILL BE DETERMINED BY THE ENGINEER.

Prepared By:	<i>Joe Blawie</i> DISTRICT STUDIES & PLANS ENGINEER
Examined By:	<i>[Signature]</i> DISTRICT LAND ACQUISITION ENGINEER
Examined By:	<i>Car Nels</i> DISTRICT PROGRAM DEVELOPMENT ENGINEER
Examined By:	<i>[Signature]</i> DISTRICT OPERATIONS ENGINEER
Examined By:	<i>[Signature]</i> DISTRICT PROJECT IMPLEMENTATION ENGINEER
Examined By:	<i>Daryl J. Dulick</i> DISTRICT CONSTRUCTION ENGINEER
Examined By:	<i>[Signature]</i> DISTRICT MATERIALS ENGINEER

FILE NAME *	USER NAME * #USER*	DESIGNED -	REVISED -	STATE OF ILLINOIS DEPARTMENT OF TRANSPORTATION		INDEX OF SHEETS, STANDARDS, COMMITMENTS GENERAL NOTES, SIGNATURE SHEET		P.A.P. RTE.	SECTION	COUNTY	TOTAL SHEETS	SHEET NO.
#FILE#		DRAWN -	REVISED -					331	09 CM PAVEMENT REPAIR 2018-1	GALLATIN	9	2
#MODELNAME#		CHECKED -	REVISED -			SCALE: _____ SHEET _____ OF _____ SHEETS STA. _____ TO STA. _____		CONTRACT NO. 78426 ILLINOIS FED. AID PROJECT				
		DATE -	REVISED -									

CODE NO.	ITEM	UNIT	TOTAL QUANTITY	CONSTRUCTION CODE	
				GALLATIN	
				100% STATE	
				ROADWAY	
		0004		RURAL	
20200100	EARTH EXCAVATION	CU YD	1307	1307	
25000200	SEEDING, CLASS 2	ACRE	0.47	0.47	
25000350	SEEDING, CLASS 7	ACRE	0.47	0.47	
25000400	NITROGEN FERTILIZER NUTRIENT	POUND	76	76	
25000500	PHOSPHORUS FERTILIZER NUTRIENT	POUND	57	57	
25000600	POTASSIUM FERTILIZER NUTRIENT	POUND	57	57	
25000700	AGRICULTURAL GROUND LIMESTONE	TON	0.94	0.94	
25100115	MULCH, METHOD 2	ACRE	0.47	0.47	
31100910	SUBBASE GRANULAR MATERIAL, TYPE A 12"	SQ YD	2883	2883	
31101900	SUBBASE GRANULAR MATERIAL, TYPE C	TON	63	63	
31200100	STABILIZED SUBBASE 4"	SQ YD	2607	2607	
42000511	PORTLAND CEMENT CONCRETE PAVEMENT 10 1/2" (JOINTED)	SQ YD	2400	2400	
42001300	PROTECTIVE COAT	SQ YD	2814	2814	
44000100	PAVEMENT REMOVAL	SQ YD	2400	2400	

14

CODE NO.	ITEM	UNIT	TOTAL QUANTITY	CONSTRUCTION CODE	
				GALLATIN 100% STATE ROADWAY	0004 RURAL
44000500	COMBINATION CURB AND GUTTER REMOVAL	FOOT	100	100	
44004250	PAVED SHOULDER REMOVAL	SO YD	552	552	
44200994	CLASS B PATCHES, TYPE II, 12 INCH	SO YD	480	480	
44201000	CLASS B PATCHES, TYPE IV, 12 INCH	SO YD	147	147	
44201294	CLASS B PATCH - EXPANSION JOINT	FOOT	72	72	
44201299	DOWEL BARS 1 1/2"	EACH	1300	1300	
44213100	PAVEMENT FABRIC	SO YD	147	147	
44213200	SAW CUTS	FOOT	3172	3172	
44213204	TIE BARS 3/4"	EACH	740	740	
48101200	AGGREGATE SHOULDERS, TYPE B	TON	285	285	
48300510	PORTLAND CEMENT CONCRETE SHOULDERS 10 1/2"	SO YD	414	414	
60608600	COMBINATION CONCRETE CURB AND GUTTER, TYPE M-6.06	FOOT	100	100	
67100100	MOBILIZATION	L SUM	1	1	
70100450	TRAFFIC CONTROL AND PROTECTION, STANDARD 701201	L SUM	1	1	

14

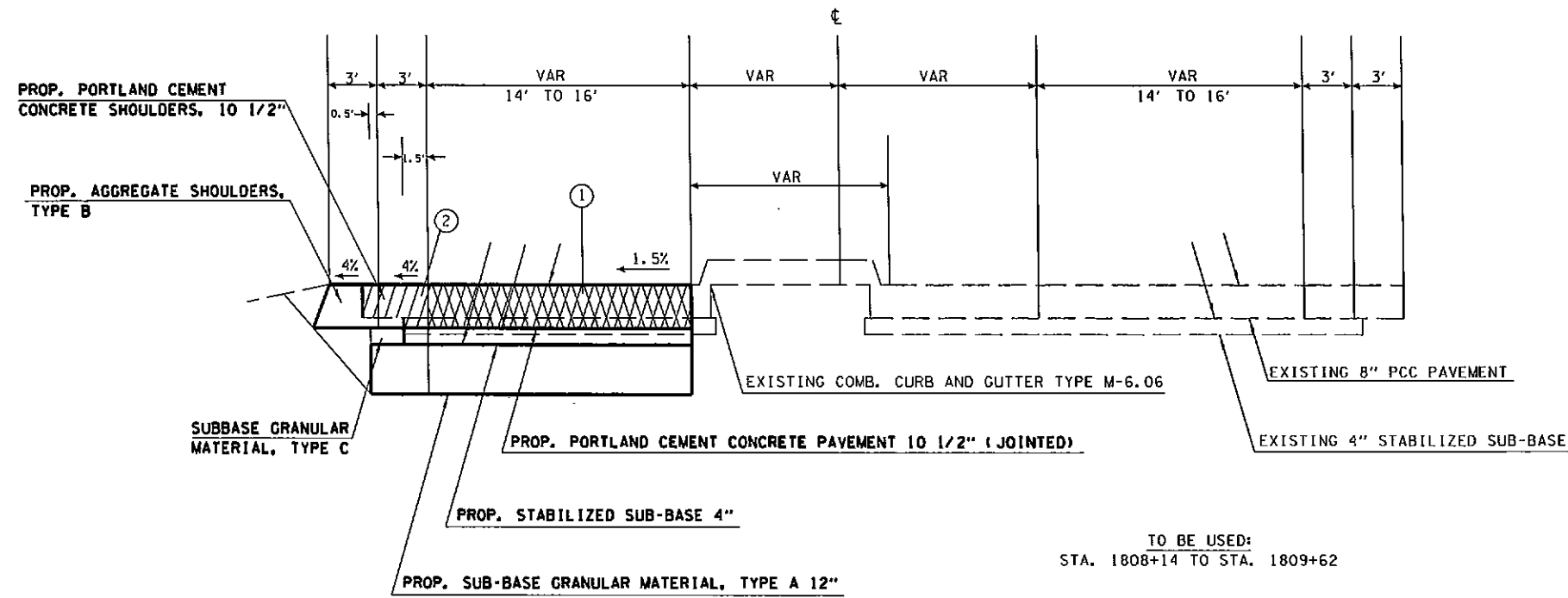
CODE NO.	ITEM	UNIT	TOTAL QUANTITY	CONSTRUCTION CODE	
				GALLATIN 100% STATE ROADWAY	0004 RURAL
70100455	TRAFFIC CONTROL AND PROTECTION, STANDARD 701206	L SUM	1	1	
70100600	TRAFFIC CONTROL AND PROTECTION, STANDARD 701336	L SUM	1	1	
70106800	CHANGEABLE MESSAGE SIGN	CAL MO	3	3	
70200100	NIGHTTIME WORK ZONE LIGHTING	L SUM	1	1	
70300100	SHORT TERM PAVEMENT MARKING	FOOT	116	116	
70300220	TEMPORARY PAVEMENT MARKING - LINE 4"	FOOT	2601	2601	
70301000	WORK ZONE PAVEMENT MARKING REMOVAL	SO FT	39	39	
* 78001110	PAINT PAVEMENT MARKING - LINE 4"	FOOT	2601	2601	

* SPECIALTY ITEM

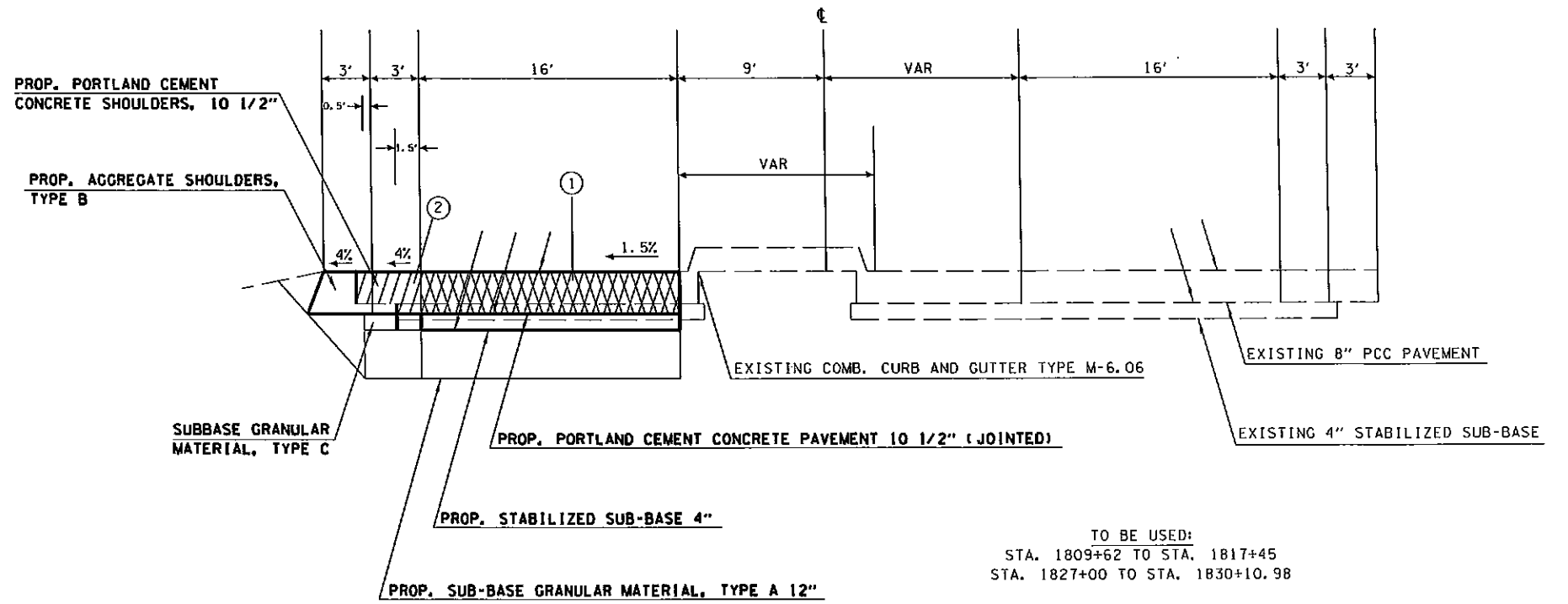
FILE NAME *	USER NAME * #USER*	DESIGNED -	REVISED -	STATE OF ILLINOIS DEPARTMENT OF TRANSPORTATION	SUMMARY OF QUANTITIES	F.A.P. RTE.	SECTION	COUNTY	TOTAL SHEETS	SHEET NO.	
#FILEL*		DRAWN -	REVISED -			331	DR. CM PAVEMENT REPAIR 2012-1	GALLATIN	9	5	
#MODELNAME*		CHECKED -	REVISED -			ILLINOIS FED. AID PROJECT					
		DATE -	REVISED -			SCALE: _____	SHEET _____ OF _____ SHEETS	STA. _____ TO STA. _____	70426		

TYPICAL SECTIONS

IL 13



- ① - PROP. PAVEMENT REMOVAL
- ② - PROP. PAVED SHOULDER REMOVAL




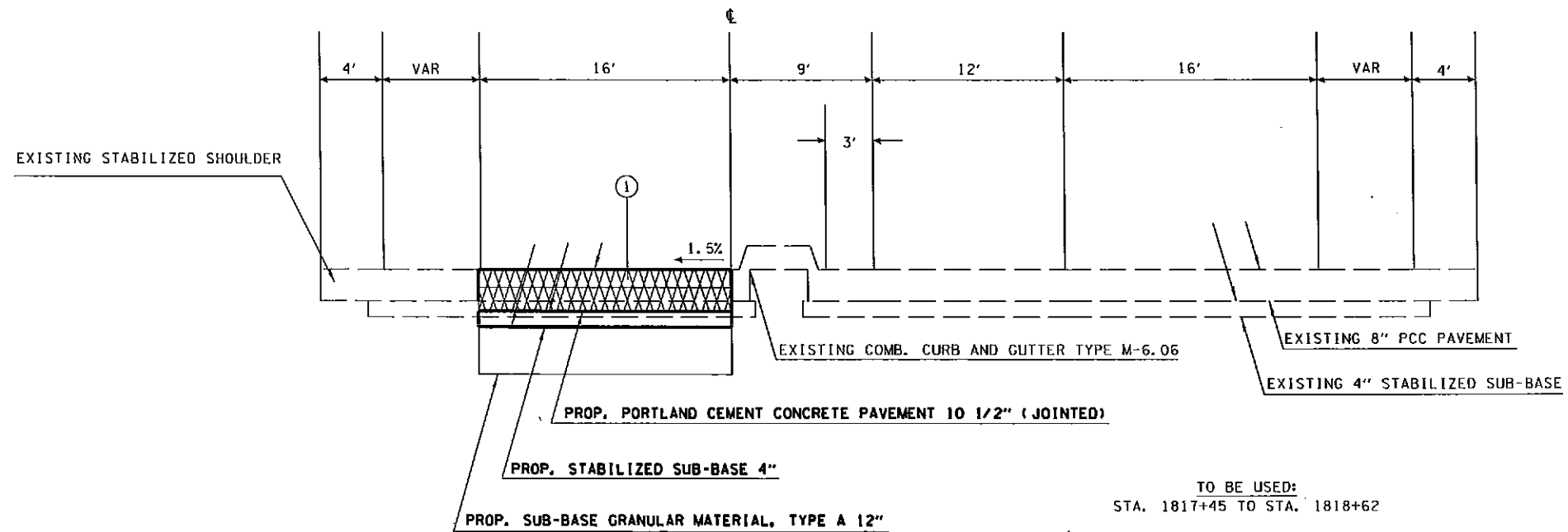
FILE NAME =	USER NAME = *USER*	DESIGNED - _____	REVISED - _____	STATE OF ILLINOIS DEPARTMENT OF TRANSPORTATION	TYPICAL SECTIONS	P.A.P. RTE. =	SECTION	COUNTY	TOTAL SHEETS	SHEET NO.
#FILE#		DRAWN - _____	REVISED - _____			351	09 CM PAVEMENT REPAIR 2015-1	GALLATIN	9	6
#MODELNAME#	PLOT SCALE = *SCALE#	CHECKED - _____	REVISED - _____		SCALE: _____ SHEET _____ OF _____ SHEETS STA. _____ TO STA. _____				CONTRACT NO. 78426	
	PLOT DATE = *DATE#	DATE - _____	REVISED - _____						ILLINOIS FED. AID PROJECT	

TYPICAL SECTIONS

IL 13

① - PROP. PAVEMENT REMOVAL 

② - PROP. PAVED SHOULDER REMOVAL 



FILE NAME *	USER NAME * #USER*	DESIGNED -	REVISED -	STATE OF ILLINOIS DEPARTMENT OF TRANSPORTATION	TYPICAL SECTIONS	F.A.P. RTE.	SECTION	COUNTY	TOTAL SHEETS	SHEET NO.	
#FILE#		DRAWN -	REVISED -			331	09 CM PAVEMENT REPAIR 2015-1	GALLATIN	9	7	
#MODELNAME*		CHECKED -	REVISED -			CONTRACT NO. 78426					
		DATE -	REVISED -			ILLINOIS FED. AID PROJECT					
				SCALE: _____ SHEET _____ OF _____ SHEETS STA. _____ TO STA. _____							

REMOVAL SCHEDULE

LOCATION STATION TO STATION	LENGTH	PAVEMENT REMOVAL	PAVED SHOULDER REMOVAL	COMBINATION CURB AND GUTTER REMOVAL	REMARKS
	FOOT	SQ YD	SQ YD	FOOT	
IL 13					
1808+14. TO 1809+62.	148.00	247	66		
1809+62. TO 1817+45.	783.00	1392	348		
1817+45. TO 1818+62.	117.00	208			
1827+00. TO 1830+10.98	310.98	553	138		
CURB AND GUTTER REPAIR				100	REMOVAL AND REPLACEMENT TO BE USED AS DIRECTED BY THE ENGINEER
SUBTOTALS	1359	2400	552	100	

PAVEMENT AND SHOULDER SCHEDULE



LOCATION STATION TO STATION	LENGTH	SUBBASE GRANULAR MATERIAL, TYPE A 12"	SUBBASE GRANULAR MATERIAL, TYPE C	AGGREGATE SHOULDERS, TYPE B	STABILIZED SUB-BASE 4"	PORTLAND CEMENT CONCRETE PAVEMENT 10 1/2" (JOINTED)	PORTLAND CEMENT CONCRETE SHOULDERS 10 1/2"	TIE BARS 3/4"	COMBINATION CONCRETE CURB AND GUTTER, TYPE M-6.06	PROTECTIVE COAT	REMARKS
	FOOT	SQ YD	TON	TON	SQ YD	SQ YD	SQ YD	EACH	FOOT	SQ YD	
IL 13											
1808+14. TO 1809+62.	148.00	304	8	34	271	247	49	74		296	
1809+62. TO 1817+45.	783.00	1697	40	180	1523	1392	261	392		1653	
1817+45. TO 1818+62.	117.00	208			208	208		66		208	
1827+00. TO 1830+10.98	310.98	674	16	71	605	553	104	155		657	
CURB AND GUTTER REPAIR									100		REMOVAL AND REPLACEMENT TO BE USED AS DIRECTED BY ENGINEER
SUBTOTALS	1359	2883	63	285	2607	2400	414	686	100	2814	

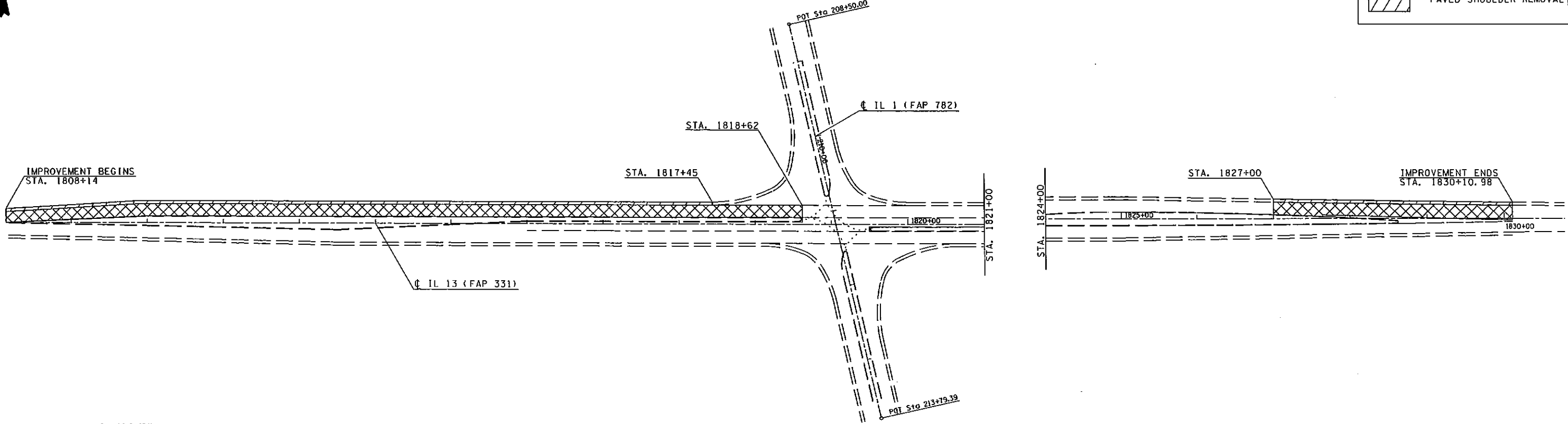
PAVEMENT MARKING SCHEDULE

LOCATION TO STATION	STATION	PAINT PAVEMENT MARKING - LINE 4"		SHORT TERM PAVEMENT MARKING SKIP-DASHES		REMARKS
		WHITE SOLID	YELLOW SOLID	WHITE	YELLOW	
		FOOT	FOOT			
IL 13						
1808+14. TO 1817+45.		931.00		36.00		OUTSIDE EOP
1808+14. TO 1818+62.			1048.00		40.00	INSIDE EOP
1827+00. TO 1830+10.98		310.98	310.98	12.00	28.00	INSIDE & OUTSIDE EOP
		1242	1359	48	68	
TOTALS		2601		116		

REMOVAL


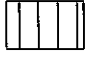
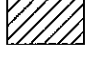
LEGEND

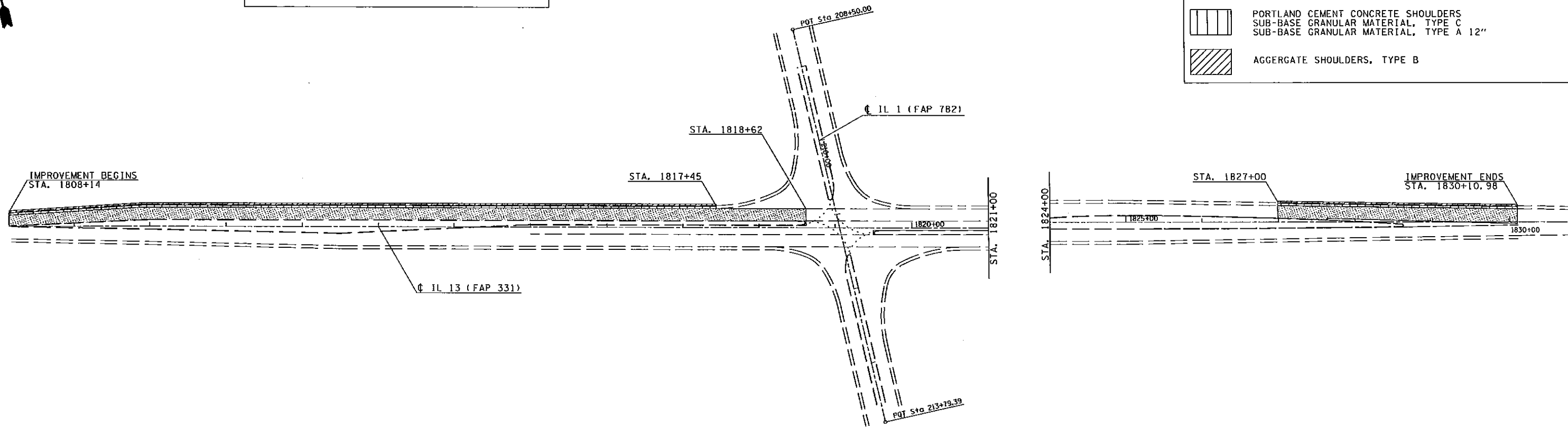
-  PAVEMENT REMOVAL
-  PAVED SHOULDER REMOVAL



CONSTRUCTION

LEGEND

-  PORTLAND CEMENT CONCRETE PAVEMENT 10 1/2" (JOINTED)
STABILIZED SUB-BASE 4"
SUB-BASE GRANULAR MATERIAL, TYPE A 12"
-  PORTLAND CEMENT CONCRETE SHOULDERS
SUB-BASE GRANULAR MATERIAL, TYPE C
SUB-BASE GRANULAR MATERIAL, TYPE A 12"
-  AGGERGATE SHOULDERS, TYPE B



FILE NAME =	USER NAME = #USER#	DESIGNED -	REVISED -	STATE OF ILLINOIS DEPARTMENT OF TRANSPORTATION	REMOVAL/CONSTRUCTION SHEET			F.A.P. RTE.	SECTION	COUNTY	TOTAL SHEETS	SHEET NO.
#FILE#		DRAWN -	REVISED -					331	DS CM PAVEMENT REPAIR 2013-1	GALLATIN	9	9
	PLOT SCALE = #SCALE#	CHECKED -	REVISED -					CONTRACT NO. 78426				
#MODELNAME#	PLOT DATE = #DATE#	DATE -	REVISED -					(ILLINOIS) FED. AID PROJECT				