

08-01-14 LETTING ITEM 155

STATE OF ILLINOIS
DEPARTMENT OF TRANSPORTATION
DIVISION OF HIGHWAYS

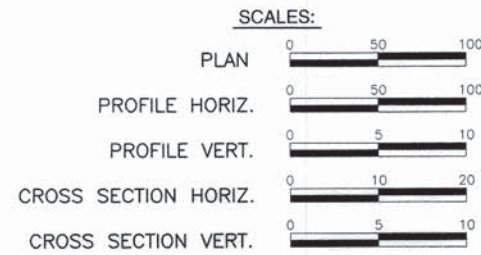
PLANS FOR PROPOSED LOCAL AGENCY PROJECT

SAFE ROUTES TO SCHOOL
URBANNA DRIVE SIDEWALK IMPROVEMENTS
SECTION 12-00024-00-SW
F.A.U. 9369
PROJECT NO. SRTS-4009(150)
VILLAGE OF FREEBURG, ILLINOIS
ST. CLAIR COUNTY, ILLINOIS
JOB NO. C-98-343-12

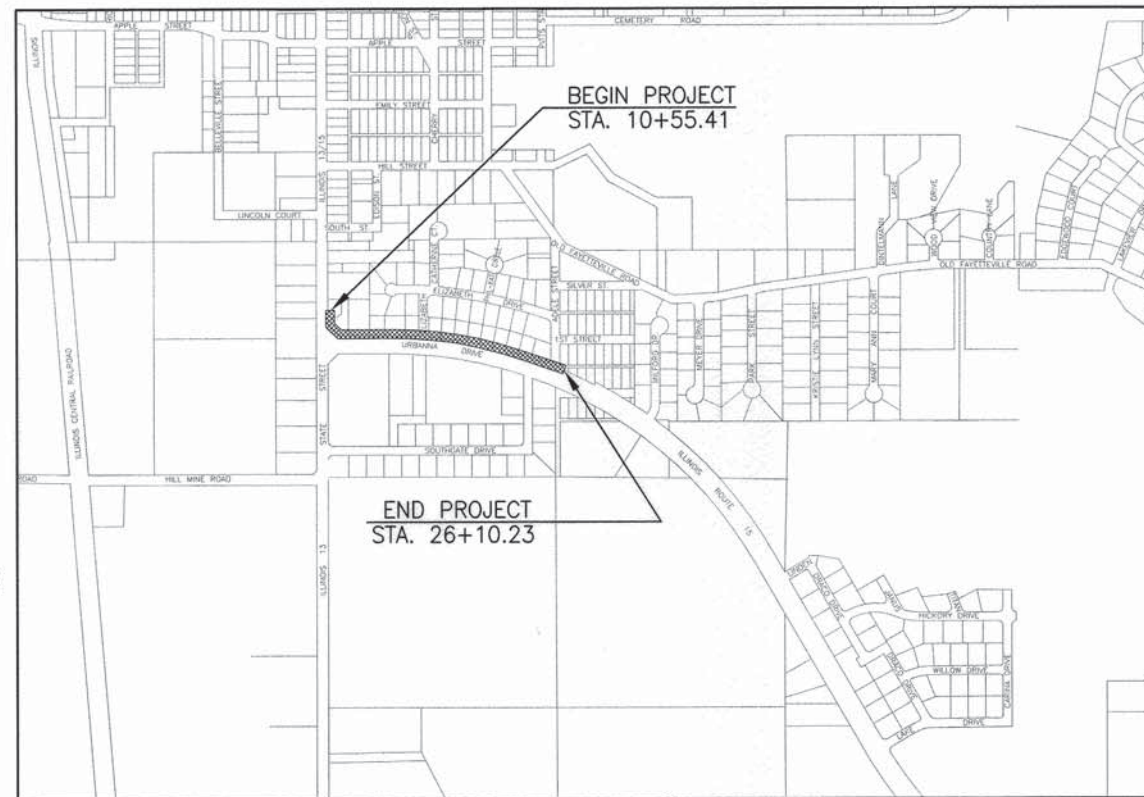
F.A.U. ROUTE	SECTION	COUNTY	TOTAL SHEETS	SHEET NUMBER
9369	12-00024-00-SW	ST. CLAIR	17	1
FEDERAL AID PROJECT			CONTRACT 97545	



- INDEX OF SHEETS**
1. COVER SHEET
 2. SUMMARY OF QUANTITIES, GENERAL NOTES & HIGHWAY STANDARDS
 3. TYPICAL SECTIONS
 4. CONSTRUCTION SCHEDULES
 - 5.-7. PLAN AND PROFILES
 - 8.-9. STORM SEWER PROFILES
 10. INTERSECTION DETAILS
 - 11.-12. MISCELLANEOUS DETAILS
 - 13.-17. CROSS SECTIONS



UTILITY TYPE	NAME OF UTILITY	PHONE NUMBER
ELECTRIC	VILLAGE OF FREEBURG, FREEBURG, ILLINOIS	618-539-3112
GAS	AMEREN IP, BELLEVILLE, ILLINOIS	618-236-4305
WATER	VILLAGE OF FREEBURG, FREEBURG, ILLINOIS	618-539-3112
TELEPHONE	AT&T, O'FALLON, ILLINOIS	618-628-2957
CABLE	CHARTER COMMUNICATIONS, BELLEVILLE, ILLINOIS	618-374-7058
SANITARY SEWER	VILLAGE OF FREEBURG, FREEBURG, ILLINOIS	618-539-3112
STORM SEWER	VILLAGE OF FREEBURG, FREEBURG, ILLINOIS	618-539-3112



LOCATION MAP

NOT TO SCALE

[Hatched Box] = IMPROVEMENT AREA

URBANNA DRIVE (IL. ROUTE 15): STA. 10+55.41 TO STA. 26+10.23 (1554.82 FT. = 0.294 MILES)

HOLD IT ! CALL BEFORE YOU DIG !
Phone J.U.L.I.E.



The owner would like to remind you that underground utility facilities can be damaged by shovel blades or other digging equipment. You can prevent damage or possible personal danger by phoning 800/892-0123 at least 48 hours before you dig. That's the toll-free number for "J.U.L.I.E.", which stands for Joint Utilities Location Information for Excavators.

If there are any pipes, cables, lines or mains in the excavation area, utility personnel will be out to mark the facilities so you can work around them.

Toll Free 800/892-0123

FUNCTIONAL CLASSIFICATION: URBAN ARTERIAL
ADT: URBANNA DRIVE 5,000
STATE STREET 13,775
DESIGN SPEED: 35 MPH



Anthony A. Schenk
Anthony A. Schenk
3/6/14
Date of Signing
11/30/15
Date of License Expiration

STATE OF ILLINOIS
DEPARTMENT OF TRANSPORTATION

APPROVED: *3-6-14*
DATE
MAYOR, VILLAGE OF FREEBURG

PASSED: *April 11, 2014*
DATE
DISTRICT EIGHT ENGINEER OF LOCAL ROADS & STREETS

RELEASING FOR BID
BASED ON LIMITED
REVIEW: *April 11, 2014*
DATE
DEPUTY DIRECTOR OF HIGHWAYS, REGION FIVE ENGINEER

PRINTED BY AUTHORITY OF THE STATE OF ILLINOIS

PREPARED BY:
RHUTASEL and ASSOCIATES, INC.
CONSULTING ENGINEERS • LAND SURVEYORS

CORPORATE OFFICE: 4 INDUSTRIAL DRIVE, FREEBURG, ILLINOIS 62243 (618) 539-3178
REGIONAL OFFICE: 201 SOUTH LOCUST STREET, CENTRALIA, ILLINOIS 62801 (618) 532-1992
ILL. LICENSE NO. 164-000287

F.A.U. ROUTE	SECTION	COUNTY	TOTAL SHEETS	SHEET NUMBER
9369	12-00024-00-SW	ST. CLAIR	17	2
FEDERAL AID PROJECT			CONTRACT 97545	

SUMMARY OF QUANTITIES

CODE NUMBER	ITEM DESCRIPTION	UNIT	QUANTITY
20200100	EARTH EXCAVATION	CU YD	48
20400800	FURNISHED EXCAVATION	CU YD	251
20800150	TRENCH BACKFILL	CU YD	80
21101615	TOPSOIL FURNISH AND PLACE, 4"	SQ YD	1802
25000100	SEEDING, CLASS 1	ACRE	0.48
25000400	NITROGEN FERTILIZER NUTRIENT	POUND	43
25000500	PHOSPHORUS FERTILIZER NUTRIENT	POUND	43
25000600	POTASSIUM FERTILIZER NUTRIENT	POUND	43
25100115	MULCH, METHOD 2	ACRE	0.48
28000250	TEMPORARY EROSION CONTROL SEEDING	POUND	48
28000500	INLET AND PIPE PROTECTION	EACH	12
35101400	AGGREGATE BASE COURSE, TYPE B	TON	27
40200800	AGGREGATE SURFACE COURSE, TYPE B	TON	41
40201000	AGGREGATE FOR TEMPORARY ACCESS	TON	100
40600982	HOT-MIX ASPHALT SURFACE REMOVAL - BUTT JOINT	SQ YD	238
40800050	INCIDENTAL HOT-MIX ASPHALT SURFACING	TON	30
42001300	PROTECTIVE COAT	SQ YD	419
42300200	PORTLAND CEMENT CONCRETE DRIVEWAY PAVEMENT, 6 INCH	SQ YD	271
42400100	PORTLAND CEMENT CONCRETE SIDEWALK 4 INCH	SQ FT	5510
42400800	DETECTABLE WARNINGS	SQ FT	88
44000100	PAVEMENT REMOVAL	SQ YD	353
44000200	DRIVEWAY PAVEMENT REMOVAL	SQ YD	141
44000300	CURB REMOVAL	FOOT	10
44000500	COMBINATION CURB AND GUTTER REMOVAL	FOOT	59
44000600	SIDEWALK REMOVAL	SQ FT	184
50105220	PIPE CULVERT REMOVAL	FOOT	346
550A2330	STORM SEWERS, RUBBER GASKET, CLASS A, TYPE 1 15"	FOOT	930
550A2340	STORM SEWERS, RUBBER GASKET, CLASS A, TYPE 1 18"	FOOT	163
550A4000	STORM SEWERS, CLASS A, TYPE 1 EQUIVALENT ROUND-SIZE 18"	FOOT	130
60240215	INLETS, TYPE B, TYPE 1 FRAME, CLOSED LID	EACH	1
60240301	INLETS, TYPE B, TYPE 8 GRATE	EACH	9
60500060	REMOVING INLETS	EACH	2
60600605	CONCRETE CURB, TYPE B	FOOT	10
60605000	COMBINATION CONCRETE CURB AND GUTTER, TYPE B-6.24	FOOT	1224
* 66900200	NON-SPECIAL WASTE DISPOSAL	C.Y.	50
* 66900450	SPECIAL WASTE PLANS AND REPORTS	L SUM	1
* 66900530	SOIL DISPOSAL ANALYSIS	EACH	1
67100100	MOBILIZATION	L SUM	1
* 78000400	THERMOPLASTIC PAVEMENT MARKING - LINE 6"	FOOT	158
* 78000650	THERMOPLASTIC PAVEMENT MARKING - LINE 24"	FOOT	32
X0323859	DOWNSPOUT CONNECTION	EACH	2
X0327235	LOCATING UNDERGROUND UTILITIES	FOOT	195
X6024240	INLETS, SPECIAL	EACH	13
X7010216	TRAFFIC CONTROL AND PROTECTION, (SPECIAL)	L SUM	1
XX206400	MAILBOX POST	EACH	7

* SPECIALTY ITEM

GENERAL NOTES

- ALL CONSTRUCTION SHALL BE ACCORDING TO THE ILLINOIS DEPARTMENT OF TRANSPORTATION STANDARD SPECIFICATIONS FOR ROAD AND BRIDGE CONSTRUCTION, ADOPTED JANUARY 1, 2012.
- UNDERGROUND FACILITIES, STRUCTURES AND UTILITIES HAVE BEEN PLOTTED FROM AVAILABLE SURVEYS AND RECORDS. THEIR LOCATIONS MUST BE CONSIDERED TO BE APPROXIMATE ONLY. IT IS POSSIBLE THERE MAY BE OTHERS, THE EXISTENCE OF WHICH IS NOT PRESENTLY KNOWN OR SHOWN. IT IS THE CONTRACTOR'S RESPONSIBILITY TO DETERMINE THEIR EXISTENCE AND EXACT LOCATION AND TO AVOID DAMAGE THERETO. FIELD LOCATIONS OF UNDERGROUND FACILITIES MAY BE OBTAINED BY CALLING THE J.U.L.I.E. SYSTEM AT 800-892-0123 AND PROVIDING 48 HOURS ADVANCE NOTICE. NON-J.U.L.I.E. MEMBERS MAY BE CONTACTED DIRECTLY. AGENCIES KNOWN TO HAVE FACILITIES WITHIN THE PROJECT LIMITS ARE LISTED ON THE COVER SHEET.
- THE UTILITY COMPANIES LISTED ON THE COVER SHEET MAY HAVE FACILITIES LOCATED WITHIN THE LIMITS OF CONSTRUCTION WHICH MAY REQUIRE ADJUSTMENT, RELOCATION OR REMOVAL. IT IS UNDERSTOOD AND AGREED THAT THE CONTRACTOR HAS TAKEN THIS FACT INTO CONSIDERATION IN PREPARING HIS/HER BID AND NO ADDITIONAL COMPENSATION WILL BE ALLOWED FOR ANY DELAYS OR INCONVENIENCE CAUSED BY SAME.
- THE TOP 6 INCHES OF ALL NECESSARY BACKFILL SHALL BE FREE FROM ANY ROCKS OR FOREIGN DEBRIS.
- ALL PROPOSED EMBANKMENT SHALL BE BENCHED INTO THE EXISTING SLOPES TO THE SATISFACTION OF THE ENGINEER.
- THE CONTRACTOR SHALL VERIFY ALL DIMENSIONS AND CONDITIONS IN THE FIELD PRIOR TO ORDERING OF MATERIALS AND CONSTRUCTION.
- THE CONTRACTOR SHALL BE AWARE THAT NO EASEMENTS HAVE BEEN ACQUIRED FOR THESE IMPROVEMENTS AND SHALL KEEP ALL OPERATIONS CONFINED TO EXISTING R.O.W.
- THE CONTRACTOR SHALL PROVIDE A SAW CUT AT THE EDGE OF PAVEMENT TO PROVIDE A SMOOTH EDGE TO CONSTRUCT COMBINATION CONCRETE CURB AND GUTTER. THE COST OF SAWING THIS EDGE SHALL BE INCLUDED IN THE COST OF THE CONCRETE CURB AND GUTTER.
- THE FOLLOWING RATES OF APPLICATION HAVE BEEN USED IN CALCULATING PLAN QUANTITIES.

<u>APPLICATION RATES</u>	
MULCH METHOD 2	2 Tons/acre
NITROGEN FERTILIZER NUTRIENT	90 Lbs/acre
PHOSPHORUS FERTILIZER NUTRIENT	90 Lbs/acre
POTASSIUM FERTILIZER NUTRIENT	90 Lbs/acre
- "ROAD CONSTRUCTION AHEAD" SIGNS SHALL BE PLACED AT THE BEGINNING AND END OF THE PROJECT PLUS THE INTERSECTING SIDE ROADS AND WILL BE INCLUDED IN THE TRAFFIC CONTROL PAY ITEMS. ALL CONSTRUCTION SIGNS SHALL BE FLUORESCENT ORANGE 48"x48".
- ALL AREAS DISTURBED FOR ANY REASON WITHIN THE CONSTRUCTION LIMITS SHALL BE SEEDDED WITH CLASS 1 SEEDING. NUTRIENTS SHALL CONFORM TO ARTICLE 250.04. AREAS DISTURBED BEYOND THE CONSTRUCTION LIMITS SHALL BE SEEDDED BY THE CONTRACTOR AT HIS/HER OWN EXPENSE.
- THE CONTRACTOR SHALL COORDINATE WITH RESIDENTS PRIOR TO REMOVAL AND REPLACEMENT OF DRIVEWAYS.
- PROTECTIVE COAT SHALL BE APPLIED TO ALL GUTTER FLAGS AND FACE OF CURBS.
- LANDSCAPING ITEMS WITHIN THE LIMITS OF CONSTRUCTION WHICH MUST BE REMOVED SHALL BE SALVAGED FOR RE-USE OR DISPOSAL AS DIRECTED BY THE ENGINEER. REMOVAL AND/OR SALVAGE OF LANDSCAPING ITEMS SHALL BE INCLUDED IN THE COST OF THE CONTRACT.
- ALL EXISTING SIGNS WHICH INTERFERE WITH THE IMPROVEMENTS NOT NOTED FOR REMOVAL SHALL BE REMOVED AND REINSTALLED AT THEIR PERMANENT LOCATIONS AS DIRECTED BY THE ENGINEER IN THE FIELD. THIS WORK SHALL BE INCLUDED IN THE COST OF THE CONTRACT.
- ALL MAILBOXES WITHIN THE PROJECT LIMITS SHALL BE RELOCATED WITH A NEW 4"x4" WOOD POST AS SHOWN ON THE DETAILS IN THE PLANS. THE WORK REQUIRED TO RELOCATE THE EXISTING MAILBOXES SHALL BE INCLUDED IN THE COST OF THE CONTRACT PER ARTICLE 107.20 OF THE STANDARD SPECIFICATIONS, HOWEVER, NEW MAILBOX POSTS SHALL BE PAID FOR AT THE CONTRACT UNIT PRICE FOR EACH MAILBOX POST.
- AN ESTIMATED 100 TONS OF AGGREGATE FOR TEMPORARY ACCESS HAS BEEN INCLUDED IN THE PLANS FOR THE PURPOSE OF MAINTAINING ACCESS TO PRIVATE PROPERTY AND LOCAL TRAFFIC THROUGHOUT THE CONSTRUCTION OPERATIONS.
- THE CONTRACTOR SHALL TAKE CARE NOT TO DAMAGE THE THERMOPLASTIC EDGE LINE NOTED TO REMAIN. IF THE EDGE LINE IS DAMAGED AS A RESULT OF THE CONTRACTOR'S OPERATIONS THE CONTRACTOR WILL BE RESPONSIBLE FOR RESTORING IT TO ITS ORIGINAL CONDITION WITH NO ADDITIONAL COMPENSATION.
- ANY WASTE GENERATE AS A SPECIAL WASTE OR A WASTE NOT CERTIFIED AS A NON-SPECIAL WASTE FROM THIS PROJECT WOULD BE MANIFESTED OFF-SITE USING THE GENERATOR NUMBER ASSOCIATED WITH ST. CLAIR COUNTY. THE GENERATOR NUMBER FOR ST. CLAIR COUNTY IS 1638995004.

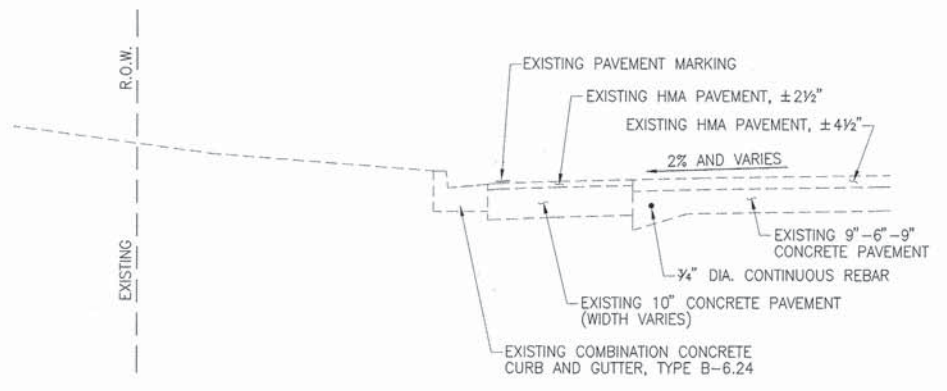
COMMITMENTS

- ALL ROOF DRAINS WHICH DISCHARGE DIRECTLY INTO THE EXISTING DITCH SHALL BE TIED INTO THE PROPOSED STORM SEWER SYSTEM. THIS WORK SHALL BE PAID FOR AT THE CONTRACT UNIT PRICE PER EACH FOR DOWNSPOUT CONNECTION.

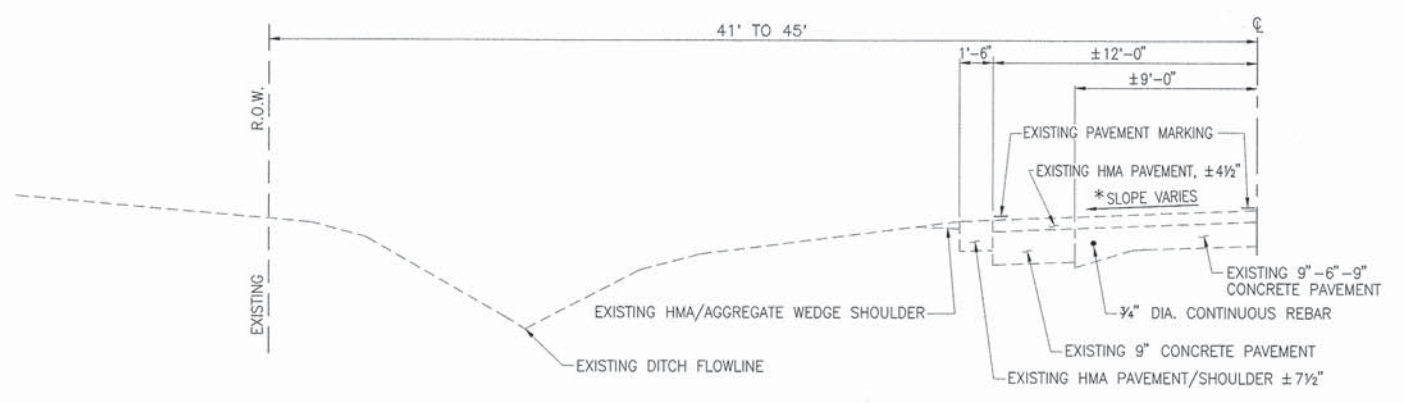
APPLICABLE HIGHWAY STANDARDS

280001-07	604036-02
424001-07	606001-05
602306-03	701501-06
602401-03	701801-05
602601-03	701901-03
602701-02	720006-04
604001-03	780001-04

F.A.U. ROUTE	SECTION	COUNTY	TOTAL SHEETS	SHEET NUMBER
9369	12-00024-00-SW	ST. CLAIR	17	3
FEDERAL AID PROJECT		CONTRACT 97545		

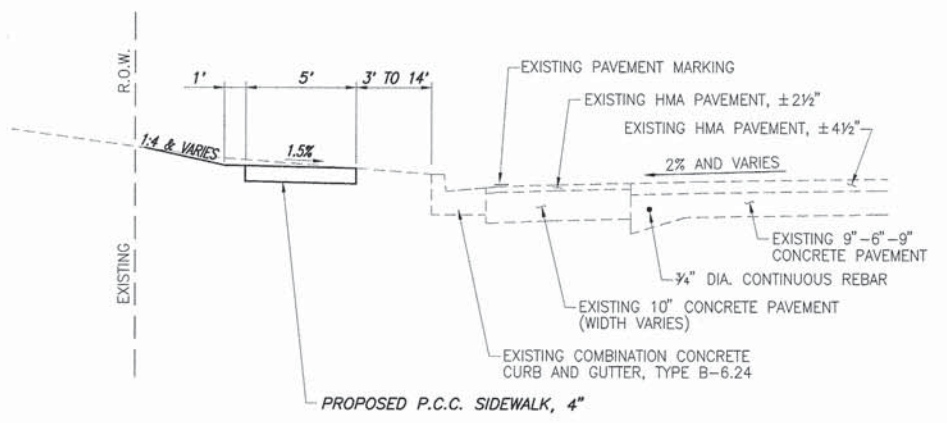


EXISTING TYPICAL SECTION
N.T.S.
STA. 10+55.41 TO 13+21.52

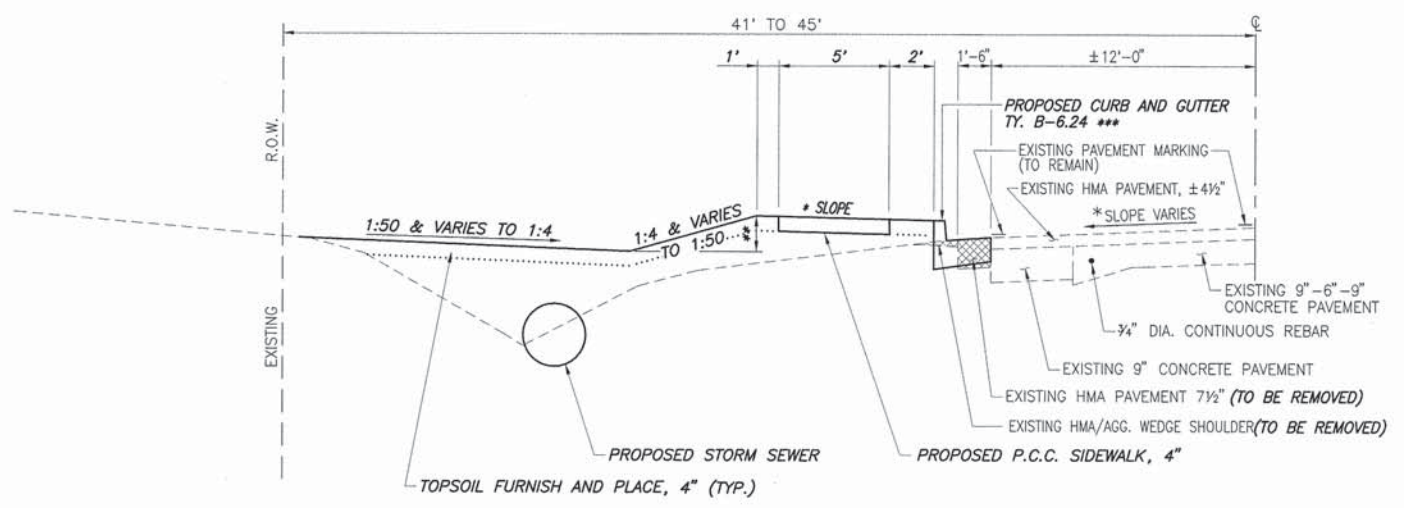


EXISTING TYPICAL SECTION
N.T.S.
STA. 13+21.52 TO 26+10.23

*SLOPE VARIES 2% AWAY FROM CROWN TO 2% TOWARD CROWN



PROPOSED TYPICAL SECTION
N.T.S.
STA. 10+55.41 TO 13+06.52



PROPOSED TYPICAL SECTION
N.T.S.
STA. 13+06.52 TO 26+10.23

- * SIDEWALK SLOPE 1.5% TOWARD THE CURB STA. 13+06.52 TO 14+69.20
- * SIDEWALK SLOPE 1.5% AWAY FROM THE CURB STA. 14+69.20 TO 26+06.39
- ** SEE CROSS SECTIONS FOR DEPTHS AND FLOWLINE ELEVATIONS.
- *** END PROPOSED CURB AND GUTTER STA. 25+38.54

ENTRANCE / SIDEROAD SCHEDULE

STATION	EXISTING SURFACE	TYPE	"L"	"W"	DRIVEWAY PAV'T REMOVAL SQ. YD.	INCIDENTAL HOT-MIX ASPHALT SURFACING TON	AGG. BASE COURSE, TY B, 8" TON	PCC DRIVEWAY PAVEMENT, 6" SQ. YD.	AGG. SURFACE COURSE, TY B, 6" TON	COMMENTS
			FOOT	FOOT						
10+86.79 LT.	CONCRETE	C.E.								MOTO MART ENTRANCE
14+67.91 LT.	CONCRETE	C.E.	18.6**	24.0*	47.6			49.0		MOTO MART ENTRANCE
16+59.10 LT.	ASPHALT	P.E.	19.5	17.7	35.0	4.1	10.8	24.4		
17+93.73 LT.	OIL & CHIP	SIDE ROAD	15.9**	30.0*		5.7				ELIZABETH STREET
18+35.73 LT.	AGGREGATE	P.E.	17.4	12.0				18.7	4.7	REDUCED FLARE (INSIDE RADIUS RETURN)
18+81.58 LT.	AGGREGATE	P.E.	21.9	12.0				17.3	6.6	
19+08.75 LT.	ASPHALT	P.E.	20.4	13.6	32.5	3.4	9.0	20.4		
20+24.72 LT.	ASPHALT	P.E.	19.8	12.0	25.5	2.8	7.3	20.1		
21+14.78 LT.	AGGREGATE	P.E.	20.0	12.0				20.3	5.6	REDUCED FLARE (INSIDE R)
21+47.90 LT.	AGGREGATE	P.E.	20.0	12.0				20.3	5.6	
22+58.97 LT.	AGGREGATE	P.E.	21.0	12.0				20.4	6.2	
23+24.50 LT.	AGGREGATE	P.E.	20.1	12.0				20.2	5.8	
24+06.41 LT.	AGGREGATE	P.E.	21.4	12.0				20.2	6.5	
24+32.48 LT.		P.E.	7.0	12.0				20.2		NEW ENTRANCE
25+71.40 LT.	OIL & CHIP	SIDE ROAD	27.6**	37.2*		14.3				ADELE STREET
TOTAL					140.6	30.3	27.1	271.1	40.8	

* WIDTH GIVEN IS FC. TO FC. OF PROPOSED CURB AND GUTTER.
 ** MEASURED FROM THE EDGE OF PAVEMENT

CURB AND GUTTER SCHEDULE

LOCATION	CONCRETE CURB TYPE B	C & G TYPE B6.24	PROTECTIVE COAT
	FOOT	FOOT	SQ YD
STA. 11+07.47 LT TO 11+14.42 LT	10		1
STA. 13+06.52 LT TO 14+57.74 LT		161	55
STA. 14+78.16 LT TO 17+81.20 LT		317	108
STA. 18+06.25 LT TO 25+37.75 LT		746	255
TOTAL			
	10	1,224	419

PAVEMENT MARKING SCHEDULE

LOCATION	THERMOPLASTIC PAVEMENT MARKINGS	
	SOLID WHITE 6" CROSSWALK LINE	SOLID WHITE 24" BAR
	FOOT	FOOT
ELIZABETH STREET	79	12
ADELE STREET	79	20
TOTAL		
	158	32

MISCELLANEOUS REMOVAL SCHEDULE

LOCATION	SIDEWALK REMOVAL	CURB REMOVAL	COMB. CURB & GUTTER REMOVAL	HMA SURFACE REMOVAL BUTT JOINT	PAVEMENT REMOVAL
	SQ. FT	FOOT	FOOT	SQ. YD.	SQ. YD.
STA. 10+55.41 LT. TO 10+68.06 LT.	49				
STA. 11+07.47 LT. TO 11+14.42 LT.		10			
STA. 13+06.52 LT. TO 13+21.57 LT.			15		
STA. 13+21.57 LT. TO 17+81.28 LT.					97
STA. 14+46.15 LT. TO 14+57.75 LT.			21		
STA. 14+78.19 LT. TO 14+90.66 LT.			23		
STA. 17+63.64 LT. TO 18+23.55 LT.				68	
STA. 18+08.64 LT. TO 25+40.62 LT.					256
STA. 25+14.16 LT. TO 26+10.23 LT.				170	
STA. 25+73.82 LT. TO 26+01.85 LT.	135				
TOTAL					
	184	10	59	238	353

INLET AND PIPE PROTECTION

LOCATION	INLET AND PIPE PROTECTION	
	STATION	OFFSET
		EACH
13+74.37	16.4' LT.	1
14+99.55	18.5' LT.	1
16+81.41	17.8' LT.	1
18+62.10	18.5' LT.	1
20+06.24	18.5' LT.	1
20+96.97	18.5' LT.	1
22+41.08	18.5' LT.	1
23+06.64	18.5' LT.	1
23+88.41	18.5' LT.	1
25+21.13	26.8' LT.	1
25+30.99	43.4' LT.	1
25+86.48	18.8' LT.	1
TOTAL		
		12

EARTHWORK SCHEDULE

LOCATION	EARTH EXCAVATION	SPOILS FROM STORM SEWER CONSTRUCTION	CUT AVAILABLE FOR EMBANKMENT ADJUSTED FOR SHRINKAGE (25%)	EMBANKMENT	EARTHWORK BALANCE WASTE (+) OR SHORTAGE (-)	FURNISHED EXCAVATION	TOPSOIL FURNISH AND PLACE, 4"
	CU YD	CU YD	CU YD	CU YD	CU YD	CU YD	SQ YD
STA. 10+55.41 TO STA. 26+10.23	48	246	220	471	-251	251	1802
TOTAL							
	48	246	220	471	-251	251	1802

SEEDING SCHEDULE

LOCATION	SEEDING CLASS 1	MULCH METHOD 2	FERTILIZER NUTRIENTS			TEMPORARY EROSION CONTROL SEEDING
	ACRE	ACRE	NITROGEN POUND	PHOSPHORUS POUND	POTASSIUM POUND	POUND
STA. 10+55.41 LT. TO 10+67.56 LT.	0.01	0.01	0.9	0.9	0.9	1
STA. 11+08.08 LT. TO 14+55.00 LT.	0.08	0.08	7.2	7.2	7.2	8
STA. 14+80.75 LT. TO 16+43.32 LT.	0.07	0.07	6.3	6.3	6.3	7
STA. 16+75.00 LT. TO 17+73.80 LT.	0.05	0.05	4.5	4.5	4.5	5
STA. 18+13.75 LT. TO 18+24.18 LT.	0.01	0.01	0.9	0.9	0.9	1
STA. 18+48.22 LT. TO 18+76.44 LT.	0.01	0.01	0.9	0.9	0.9	1
STA. 19+25.00 LT. TO 20+11.71 LT.	0.05	0.05	4.5	4.5	4.5	5
STA. 20+37.77 LT. TO 21+02.75 LT.	0.04	0.04	3.6	3.6	3.6	4
STA. 21+28.85 LT. TO 21+35.39 LT.	0.01	0.01	0.9	0.9	0.9	1
STA. 21+61.50 LT. TO 22+48.25 LT.	0.04	0.04	3.6	3.6	3.6	4
STA. 22+74.38 LT. TO 23+12.78 LT.	0.02	0.02	1.8	1.8	1.8	2
STA. 23+39.00 LT. TO 23+93.50 LT.	0.03	0.03	2.7	2.7	2.7	3
STA. 24+30.75 LT. TO 25+37.54 LT.	0.05	0.05	4.5	4.5	4.5	5
STA. 25+75.50 LT. TO 26+02.37 LT.	0.01	0.01	0.9	0.9	0.9	1
TOTAL						
	0.48	0.48	43.2	43.2	43.2	48

DRAINAGE REMOVAL SCHEDULE

LOCATION	DESCRIPTION	PIPE CULVERT REMOVAL	REMOVING INLETS
		FOOT	EACH
STA. 14+38.80 LT. TO 14+86.80 LT.	15" RCCP	48	
STA. 14+56.61 LT.	3" INLET		1
STA. 14+79.06 LT.	3" INLET		1
STA. 16+38.90 LT. TO 16+70.90 LT.	15" CMP	32	
STA. 18+21.37 LT. TO 18+49.37 LT.	15" CMP	28	
STA. 18+72.60 LT. TO 19+32.60 LT.	15" CMP	60	
STA. 20+10.35 LT. TO 20+38.35 LT.	15" CMP	28	
STA. 21+00.20 LT. TO 21+30.20 LT.	15" CMP	30	
STA. 21+35.08 LT. TO 21+60.08 LT.	15" CMP	25	
STA. 22+42.27 LT. TO 22+72.27 LT.	15" CMP	30	
STA. 23+06.16 LT. TO 23+36.16 LT.	15" CMP	30	
STA. 23+97.57 LT. TO 24+25.57 LT.	15" CMP	28	
STA. 25+29.15 LT. TO 25+35.75 LT.	18" CMP	7	
TOTAL			
		346	2

MAILBOX RELOCATION SCHEDULE

EXISTING LOCATION	PROPOSED LOCATION		MAILBOX TO BE RELOCATED WITH NEW 4"x4" WOOD POST 6.5' LONG EACH	
	STATION	OFFSET		
16+36.50	12.8' LT.	16+36.50	3.2' LT.	1
20+46.00	11.5' LT.	20+46.00	3.4' LT.	1
21+34.70	10.0' LT.	21+32.85	3.4' LT.	1
21+38.30	10.6' LT.	21+34.42	3.4' LT.	1
22+78.36	12.2' LT.	22+78.95	3.4' LT.	1
23+09.76	11.2' LT.	23+11.56	3.4' LT.	1
23+78.41	11.5' LT.	23+79.50	3.4' LT.	1
TOTAL				
				7

PCC SIDEWALK SCHEDULE

LOCATION	P.C.C. SIDEWALK, 4"	DETECTABLE WARNINGS
	SQ FT	SQ FT
STA. 10+55 LT. TO 10+68 LT.	42	
STA. 10+63 LT.		8
STA. 11+08 LT. TO 14+55 LT.	1,616	
STA. 11+15 LT.		8
STA. 14+51 LT.		8
STA. 14+81 LT. TO 16+45 LT.	829	
STA. 14+85 LT.		8
STA. 16+73 LT. TO 17+74 LT.	502	
STA. 17+68 LT.		18
STA. 18+14 LT. TO 18+29 LT.	57	
STA. 18+19 LT.		18
STA. 18+46 LT. TO 18+76 LT.	142	
STA. 18+93 LT. TO 18+96 LT.	45	
STA. 19+20 LT. TO 20+14 LT.	496	
STA. 20+36 LT. TO 21+04 LT.	367	
STA. 21+23 LT. TO 21+37 LT.	88	
STA. 21+59 LT. TO 22+48 LT.	473	
STA. 22+70 LT. TO 23+14 LT.	245	
STA. 23+35 LT. TO 23+96 LT.	327	
STA. 24+18 LT. TO 24+22 LT.	46	
STA. 24+43 LT. TO 25+38 LT.	510	
STA. 25+34 LT.		10
STA. 25+76 LT. TO 26+02 LT.	131	
STA. 25+81 LT.		10
TOTAL		
	5,510	88

STORM SEWER & DRAINAGE STRUCTURE SCHEDULE

PT	LOCATION STATION / OFFSET	DESCRIPTION	RIM	FLOWLINE			
				NORTH	SOUTH	EAST	WEST
1	13+74.38 4.00'L	INLETS, SPECIAL - 3'X3'	499.39	496.66			
2	13+74.37 16.44'L	*INLETS, TYPE B, TYPE 1 FRAME, CLOSED LID	499.57		496.44	496.24	496.24
3	14+54.23 14.11'L	*INLETS, TYPE B - USE EXISTING FRAME AND GRATE	499.94			496.58	496.58
4	14+81.63 14.07'L	*INLETS, TYPE B - USE EXISTING FRAME AND GRATE	499.93			496.75	496.71
5	14+99.55 18.50'L	*INLETS, TYPE B, TYPE 8 GRATE	499.76			497.13	497.03
6	16+81.41 17.82'L	*INLETS, TYPE B, TYPE 8 GRATE	502.96		499.78	499.24	499.14
7	16+81.46 4.00'L	INLETS, SPECIAL - 3'X3'	504.29	500.06			
8	18+62.10 18.50'L	*INLETS, TYPE B, TYPE 8 GRATE	502.40		500.04	499.94	500.04
9	18+62.11 4.00'L	INLETS, SPECIAL - 3'X3'	503.82	500.33			
10	20+06.24 18.50'L	*INLETS, TYPE B, TYPE 8 GRATE	501.17			498.85	498.85
11	20+06.30 4.00'L	INLETS, SPECIAL - 3'X3'	502.53	499.14			
12	20+96.97 18.50'L	*INLETS, TYPE B, TYPE 8 GRATE	500.40		498.06	497.96	498.06
13	20+96.80 4.00'L	INLETS, SPECIAL - 3'X3'	501.73	498.35			
14	22+41.08 4.00'L	INLETS, SPECIAL - 3'X3'	500.44	497.03			
15	22+41.08 18.50'L	*INLETS, TYPE B, TYPE 8 GRATE	499.05		496.74	496.54	496.64
16	23+06.53 4.00'L	INLETS, SPECIAL - 3'X3'	499.86	496.51			
17	23+06.64 18.50'L	*INLETS, TYPE B, TYPE 8 GRATE	498.54		496.22	496.17	496.22
18	23+88.41 18.50'L	*INLETS, TYPE B, TYPE 8 GRATE	497.87		495.51	495.51	495.51
19	23+88.61 4.00'L	INLETS, SPECIAL - 3'X3'	499.22	495.80			
20	25+03.68 4.00'L	INLETS, SPECIAL - 3'X3'	498.78	495.67(NE)			
21	25+21.13 26.78'L	INLETS, SPECIAL - 3'X3' (OPEN THROAT NORTH & EAST)	497.91	495.11(NE) 495.11(SW)	495.05(SE)	495.11	
22	25+30.99 43.37'L	*INLETS, TYPE B, TYPE 8 GRATE	497.45	495.20	495.20(SW)		
23	25+86.48 18.81'L	INLETS, SPECIAL - 3'X3' (NO THROAT)	497.19	495.01		494.98	494.98

NOTE: OFFSETS TO ALL INLETS AND MANHOLES ARE TO THE CENTER OF THE DRAINAGE STRUCTURE.
 * DENOTES FLAT SLAB TOP

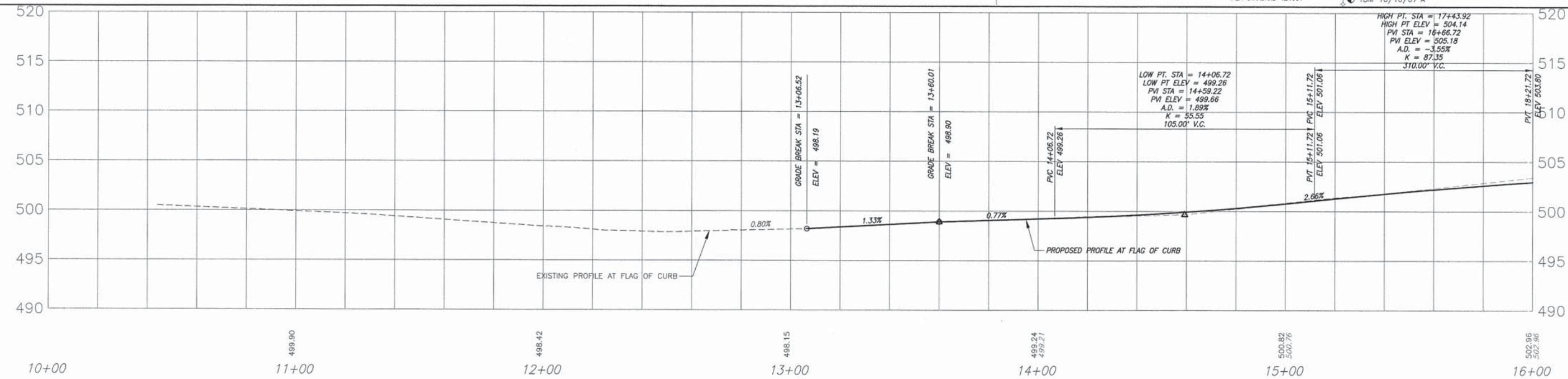
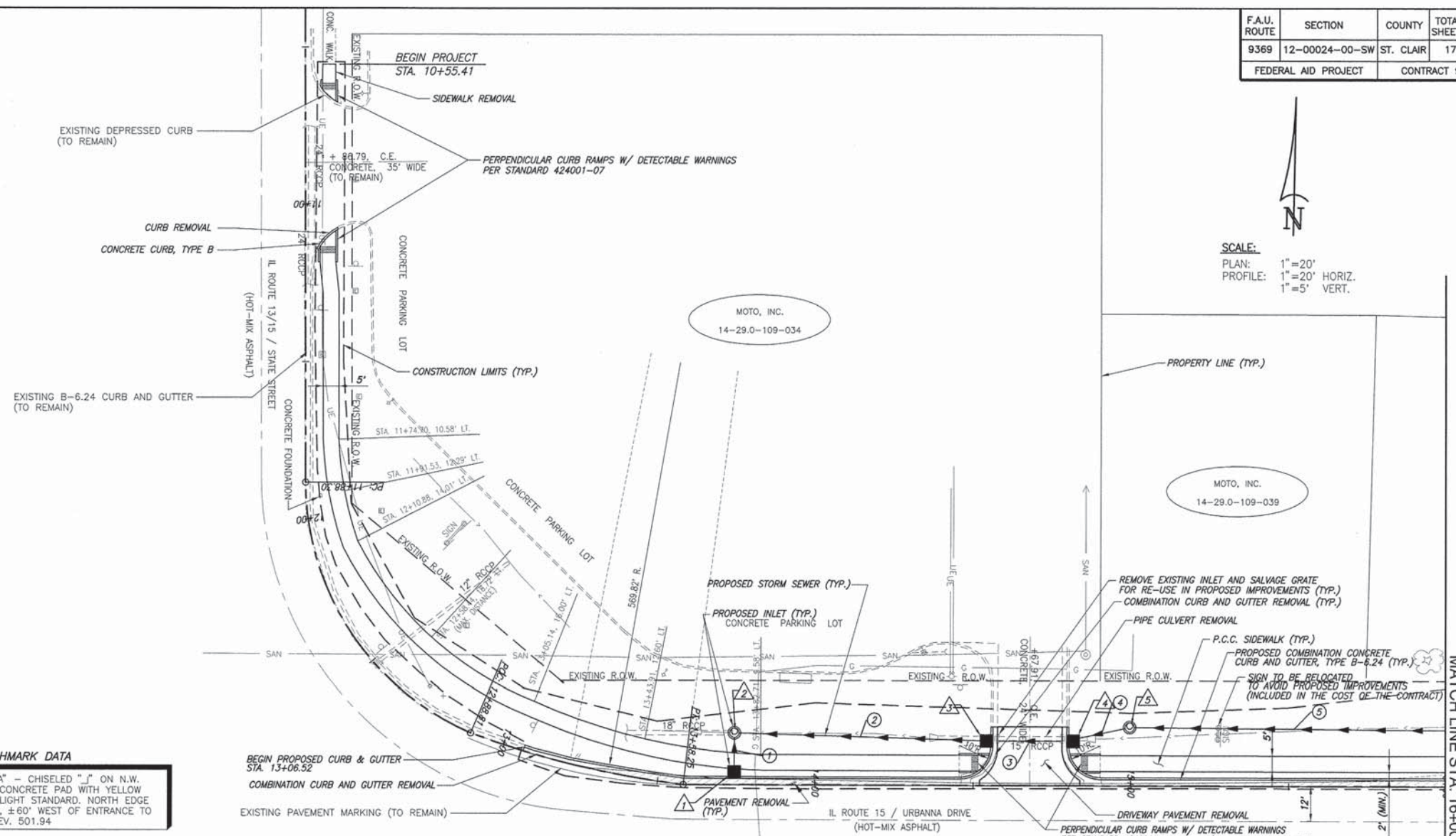
F.A.U. ROUTE	SECTION	COUNTY	TOTAL SHEETS	SHEET NUMBER
9369	12-00024-00-SW	ST. CLAIR	17	5
FEDERAL AID PROJECT		CONTRACT 97545		

- LEGEND**
- + STREET SIGN
 - ⊥ TRAFFIC SIGN
 - ⊕ LIGHT POLE
 - ⊙ DECORATIVE LAMP POLE
 - ⊙ ELECTRIC PEDESTAL
 - ⊙ POWER POLE
 - GUY WIRE
 - ⊙ SANITARY MANHOLE
 - ⊙ GRATED STORM INLET
 - STORM CULVERT
 - FLOWLINE OF DITCH OR SWALE
 - GAS MAIN
 - UNDERGROUND ELECTRIC
 - SANITARY SEWER MAIN
 - PROPOSED FLOWLINE
 - PROPOSED DETECTABLE WARNINGS
 - ⊙ PROPOSED STORM INLET
 - ⊙ PROPOSED CURB INLET
 - PROPOSED STORM SEWER
 - PROPOSED PIPE NUMBER
 - ⊙ PROPOSED STRUCTURE NUMBER

SCALE:
 PLAN: 1"=20'
 PROFILE: 1"=20' HORIZ.
 1"=5' VERT.

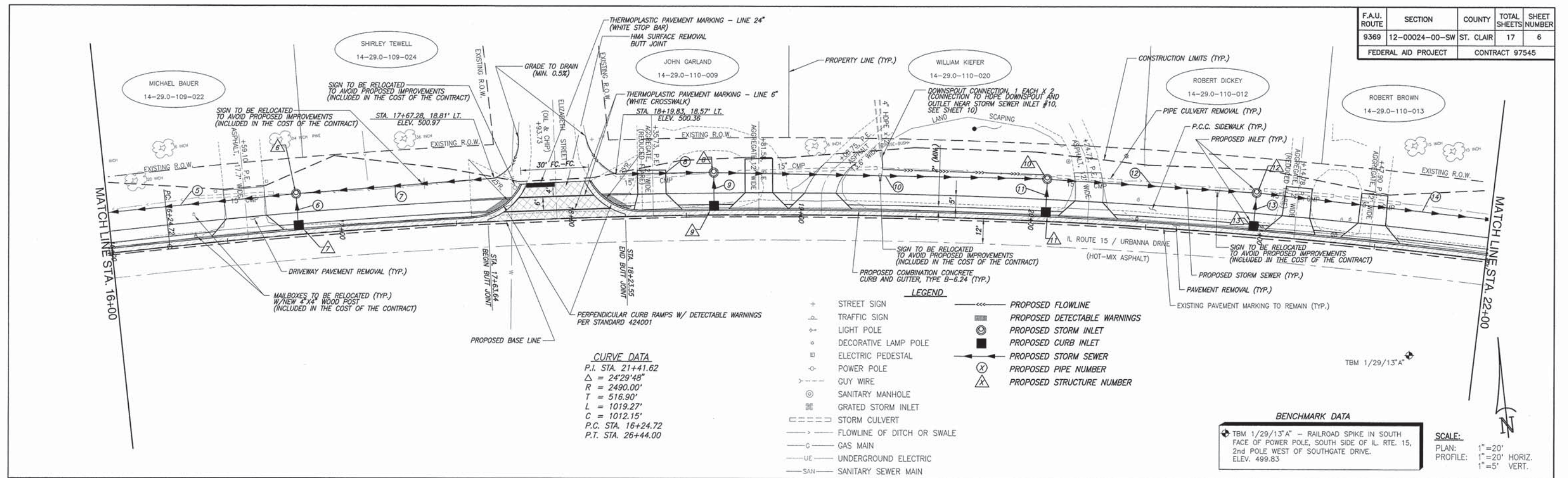
BENCHMARK DATA

⊙ TBM 10/10/07 "A" - CHISELED "A" ON N.W. CORNER OF CONCRETE PAD WITH YELLOW BUMP POST OF LIGHT STANDARD. NORTH EDGE OF ASPHALT LOT, ±60' WEST OF ENTRANCE TO SOUTHGATE. ELEV. 501.94



PLAN & PROFILE FREEBURG - SAFE ROUTES TO SCHOOL ST. CLAIR COUNTY, ILLINOIS

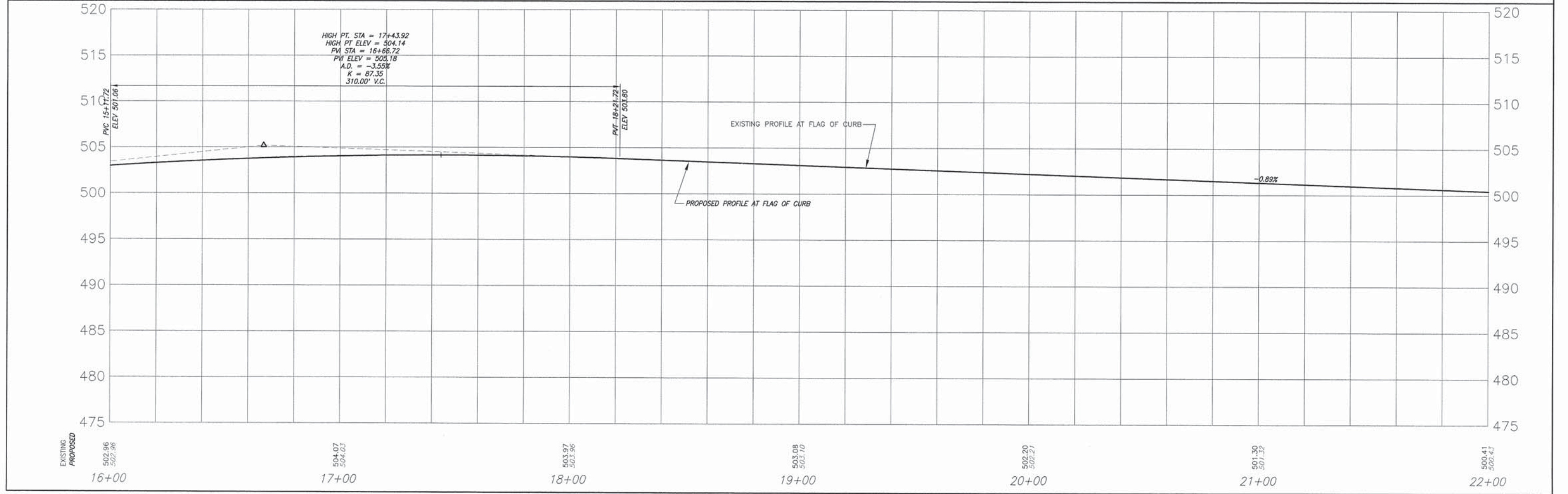
F.A.U. ROUTE	SECTION	COUNTY	TOTAL SHEETS	SHEET NUMBER
9369	12-00024-00-SW	ST. CLAIR	17	6
FEDERAL AID PROJECT		CONTRACT 97545		



CURVE DATA
P.I. STA. 21+41.62
 $\Delta = 24^{\circ}29'48''$
R = 2490.00'
T = 516.90'
L = 1019.27'
C = 1012.15'
P.C. STA. 16+24.72
P.T. STA. 26+44.00

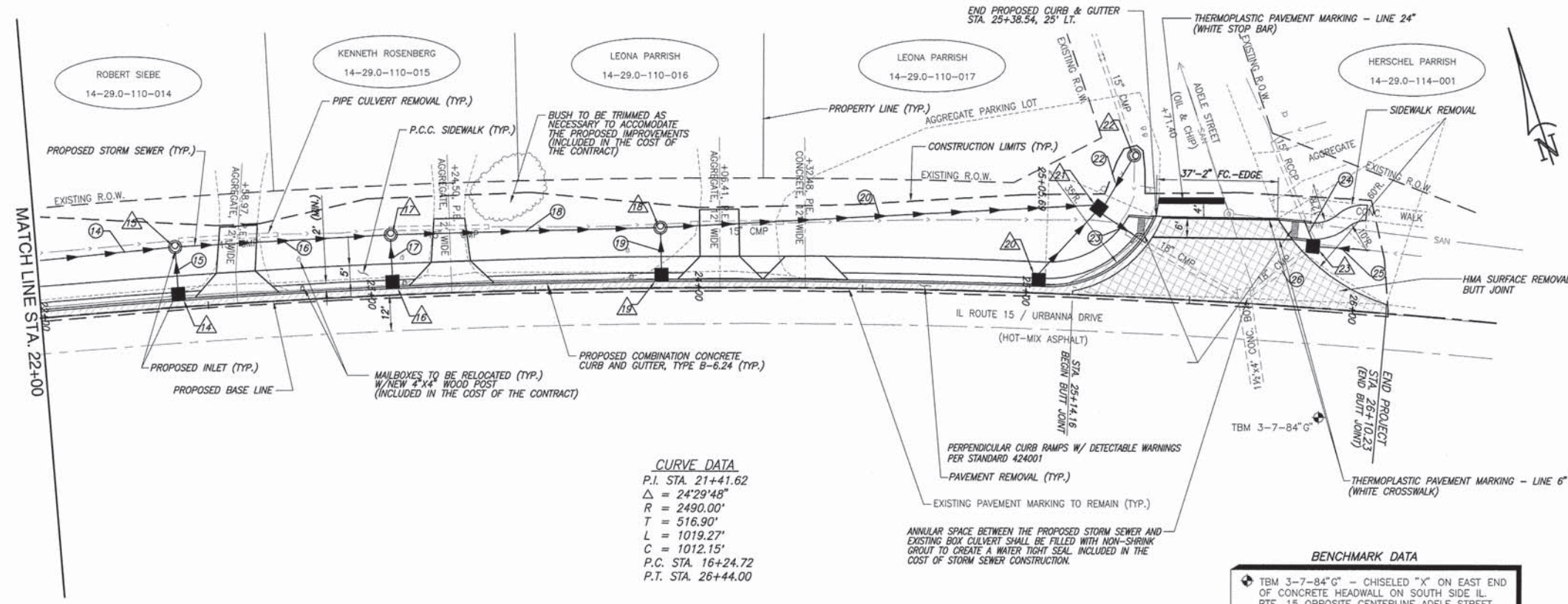
BENCHMARK DATA
TBM 1/29/13\"/>

SCALE:
PLAN: 1" = 20'
PROFILE: 1" = 20' HORIZ.
1" = 5' VERT.



PLAN & PROFILE FREEBURG - SAFE ROUTES TO SCHOOL ST. CLAIR COUNTY, ILLINOIS

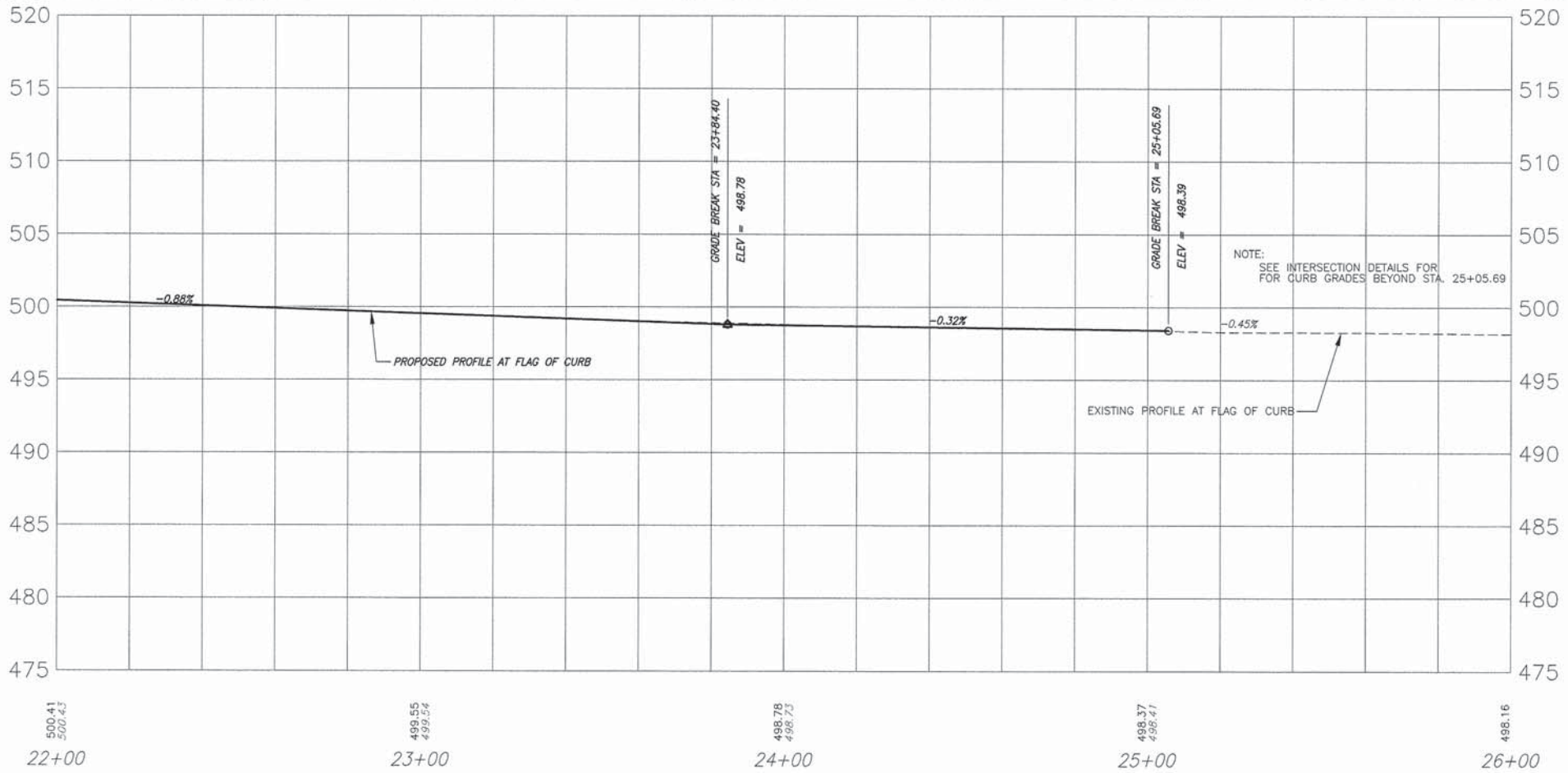
F.A.U. ROUTE	SECTION	COUNTY	TOTAL SHEETS	SHEET NUMBER
9369	12-00024-00-SW	ST. CLAIR	17	7
FEDERAL AID PROJECT		CONTRACT 97545		



- SCALE:**
 PLAN: 1"=20'
 PROFILE: 1"=20' HORIZ., 1"=5' VERT.
- LEGEND**
- + STREET SIGN
 - ⊕ TRAFFIC SIGN
 - ⊙ LIGHT POLE
 - ⊙ DECORATIVE LAMP POLE
 - ⊙ ELECTRIC PEDESTAL
 - ⊙ POWER POLE
 - ⊙ GUY WIRE
 - ⊙ SANITARY MANHOLE
 - ⊙ GRATED STORM INLET
 - ▭ STORM CULVERT
 - FLOWLINE OF DITCH OR SWALE
 - G GAS MAIN
 - UE UNDERGROUND ELECTRIC
 - SAN SANITARY SEWER MAIN
 - PROPOSED FLOWLINE
 - ⊙ PROPOSED DETECTABLE WARNINGS
 - ⊙ PROPOSED STORM INLET
 - ⊙ PROPOSED CURB INLET
 - ⊙ PROPOSED STORM SEWER
 - ⊙ PROPOSED PIPE NUMBER
 - ⊙ PROPOSED STRUCTURE NUMBER

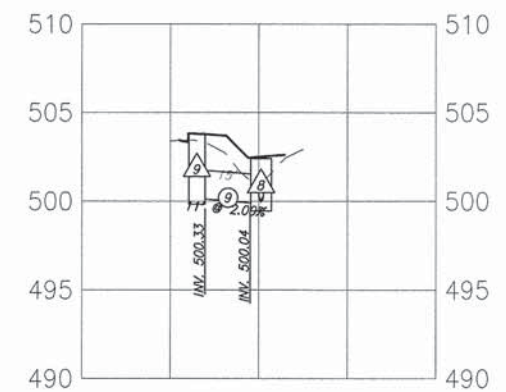
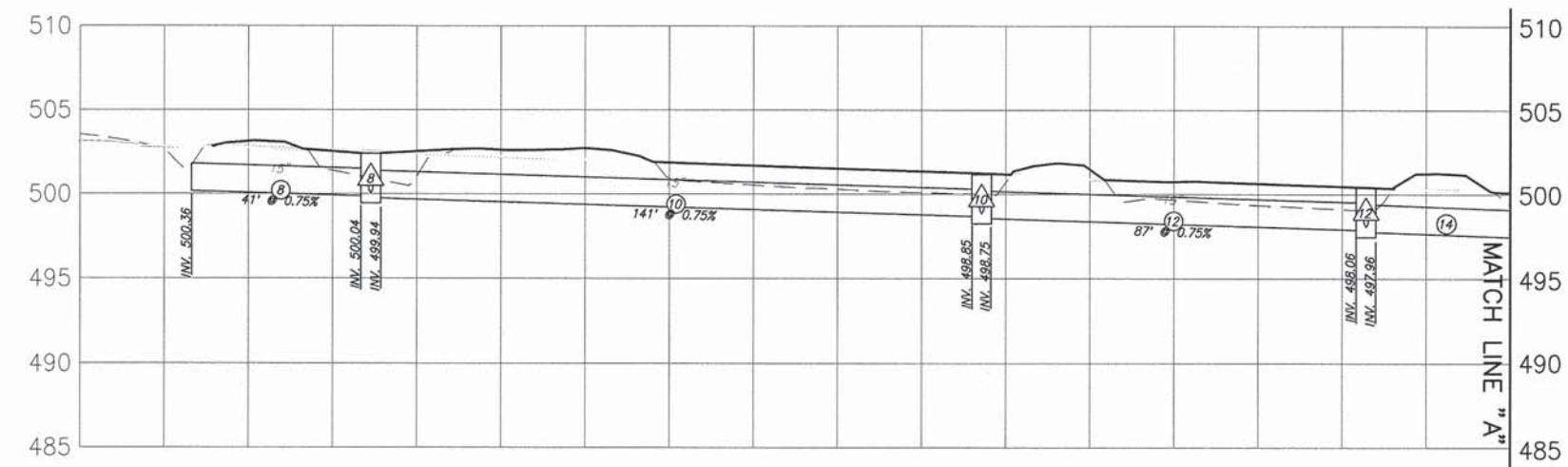
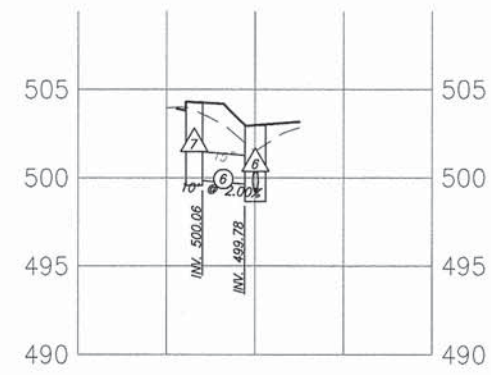
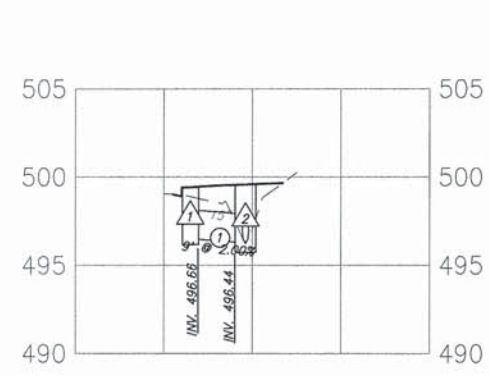
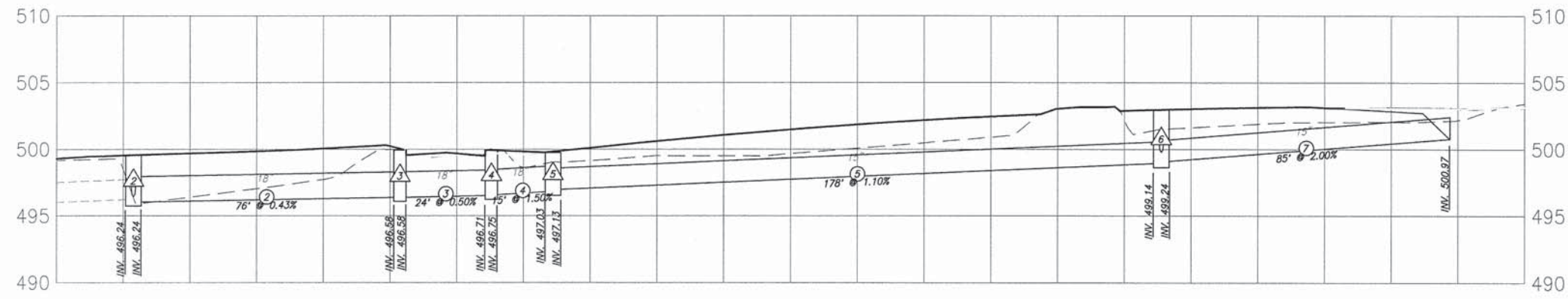
CURVE DATA
 P.I. STA. 21+41.62
 $\Delta = 24^{\circ}29'48''$
 $R = 2490.00'$
 $T = 516.90'$
 $L = 1019.27'$
 $C = 1012.15'$
 P.C. STA. 16+24.72
 P.T. STA. 26+44.00

BENCHMARK DATA
 ⊙ TBM 3-7-84" G - CHISELED "X" ON EAST END OF CONCRETE HEADWALL ON SOUTH SIDE IL RTE. 15 OPPOSITE CENTERLINE ADELE STREET. ELEV. 496.48

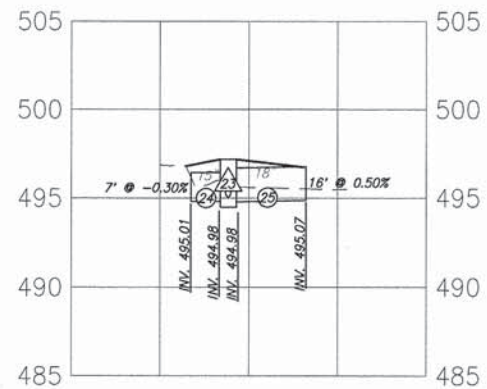
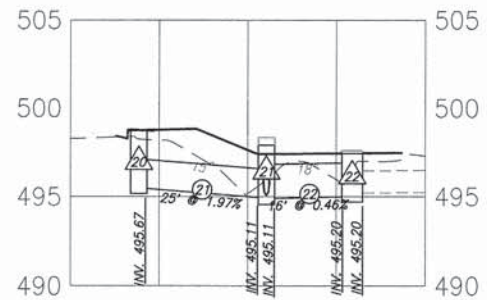
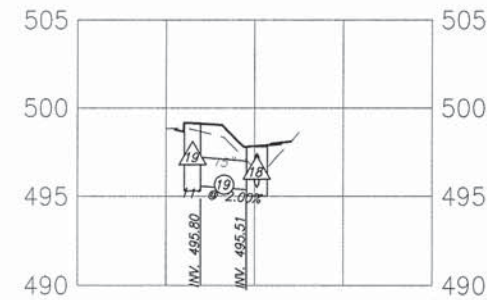
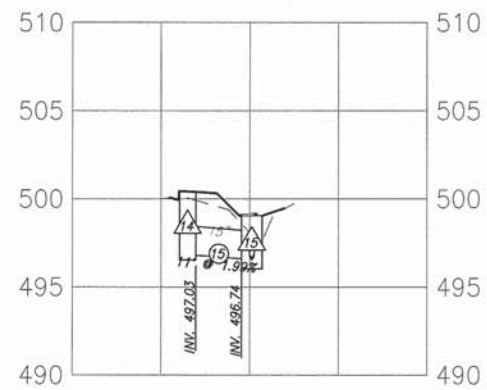
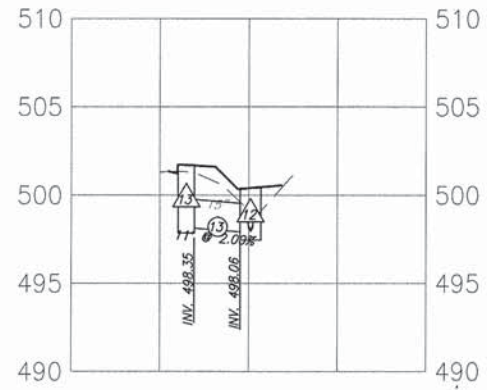
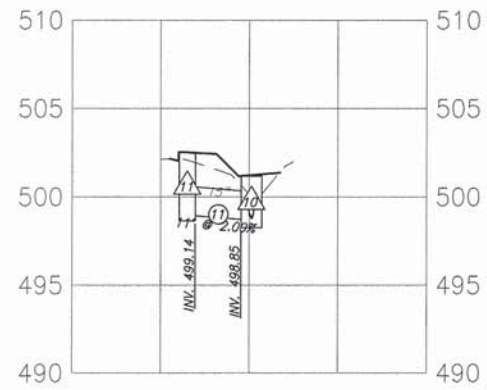


EXISTING
PROPOSED

F.A.U. ROUTE	SECTION	COUNTY	TOTAL SHEETS	SHEET NUMBER
9369	12-00024-00-SW	ST. CLAIR	17	8
FEDERAL AID PROJECT		CONTRACT 97545		

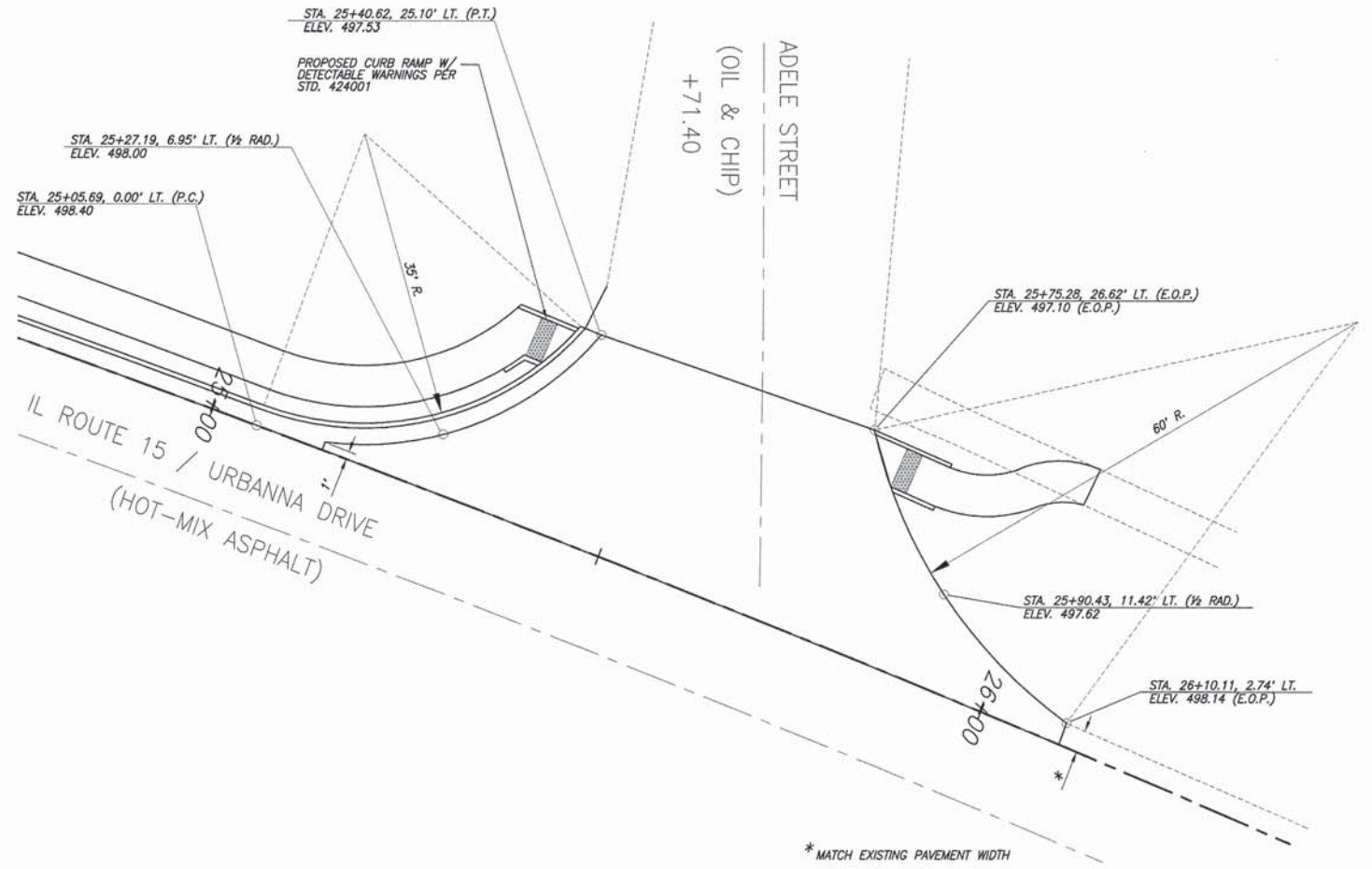
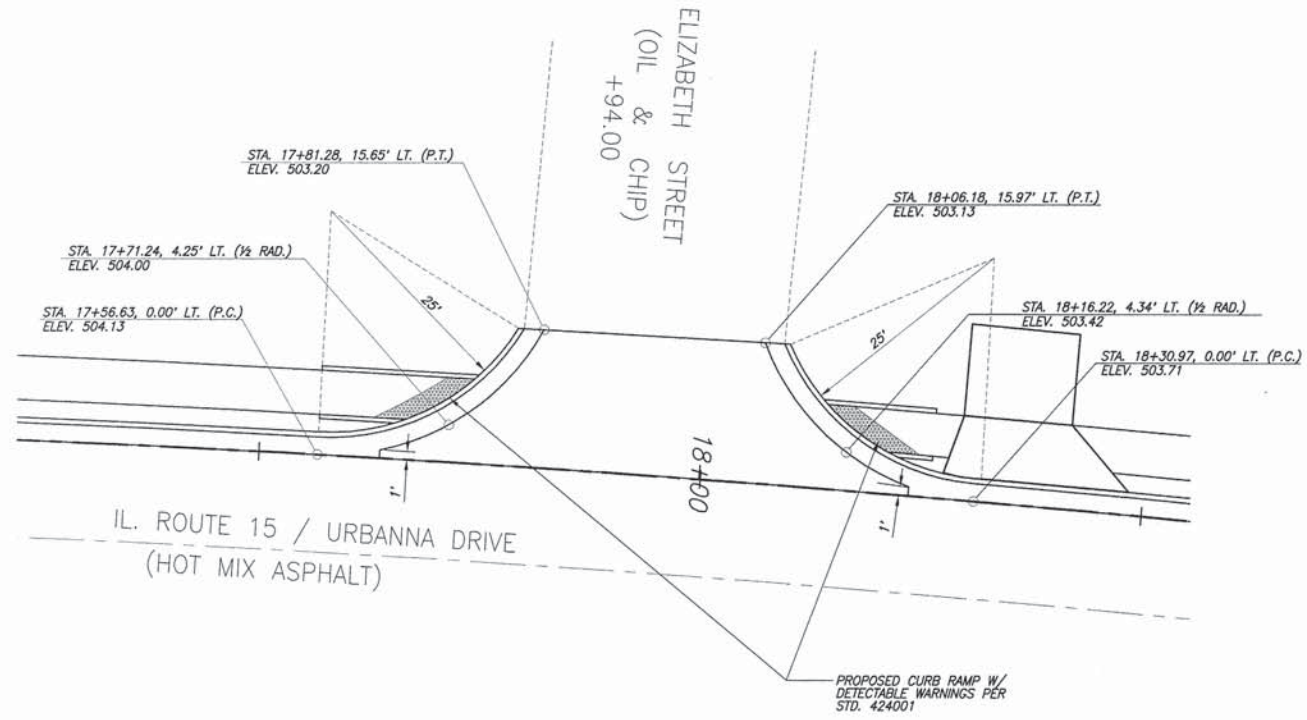
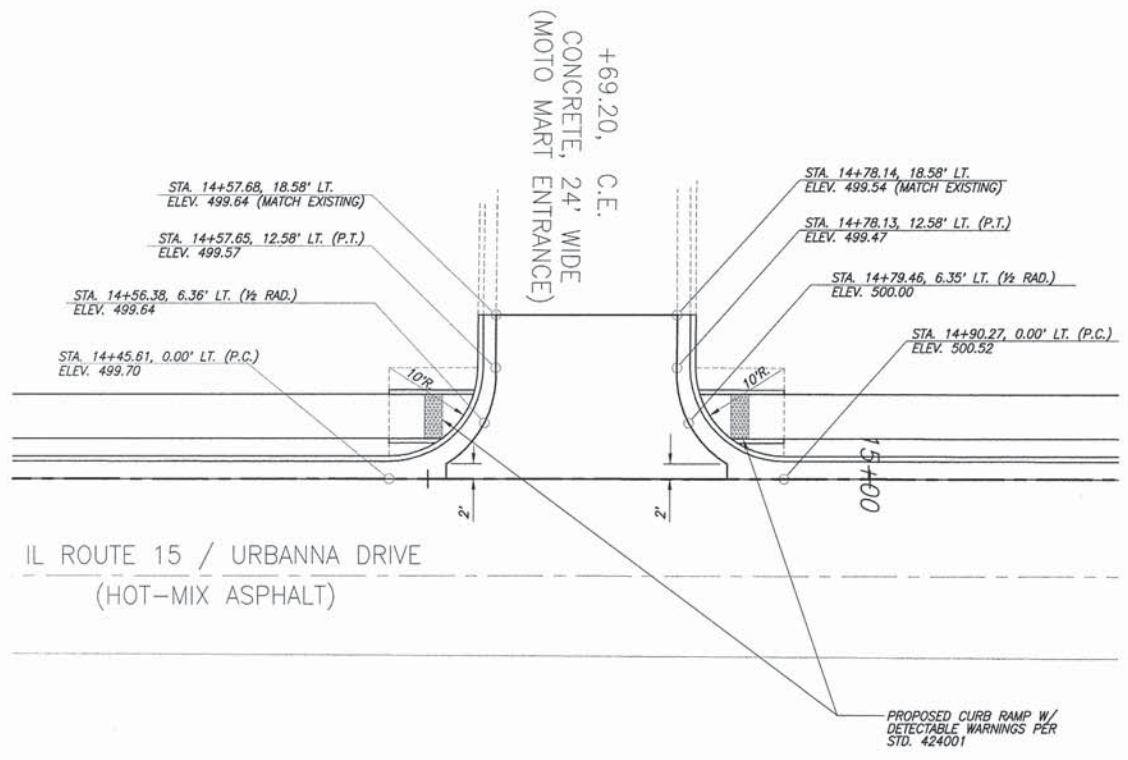
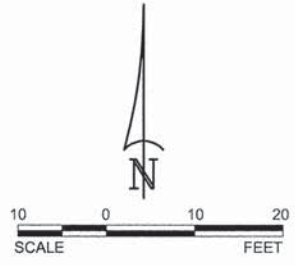


F.A.U. ROUTE	SECTION	COUNTY	TOTAL SHEETS	SHEET NUMBER
9369	12-00024-00-SW	ST. CLAIR	17	9
FEDERAL AID PROJECT			CONTRACT 97545	

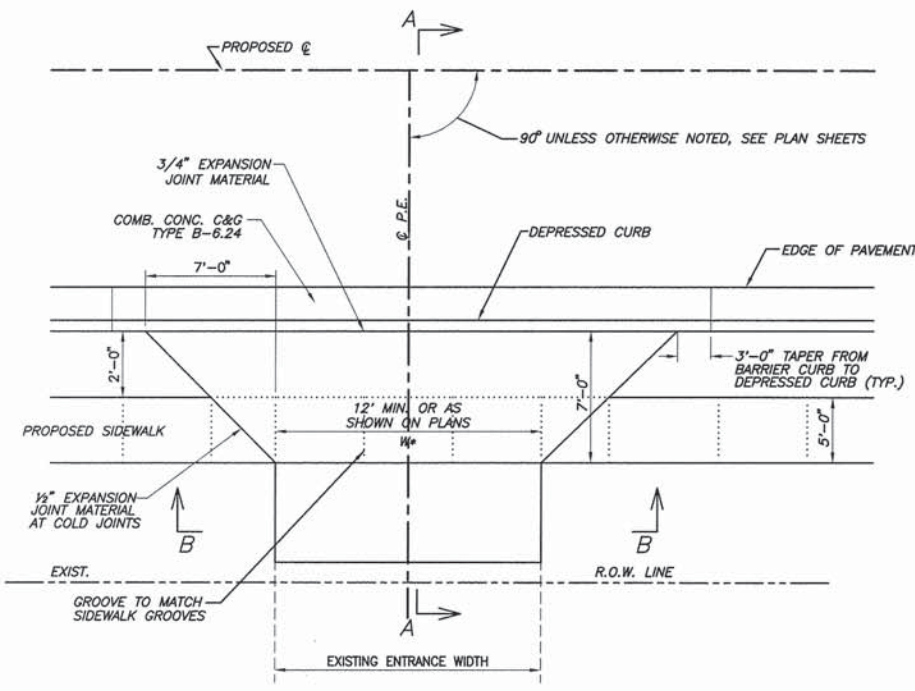


F.A.U. ROUTE	SECTION	COUNTY	TOTAL SHEETS	SHEET NUMBER
9369	12-00024-00-SW	ST. CLAIR	17	10
FEDERAL AID PROJECT		CONTRACT 97545		

NOTE:
ALL ELEVATIONS SHOWN ARE TO THE FLAG OF CURB / E.O.P.

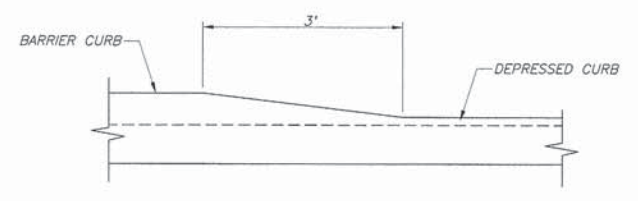


F.A.U. ROUTE	SECTION	COUNTY	TOTAL SHEETS	SHEET NUMBER
9369	12-00024-00-SW	ST. CLAIR	17	11
FEDERAL AID PROJECT			CONTRACT 97545	

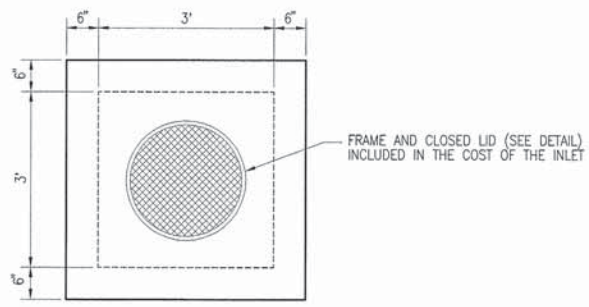


P.E. DETAIL "A"
PRIVATE ENTRANCE WITH SIDEWALK AND CONCRETE CURB & GUTTER TYPE B-6.24
N.T.S.

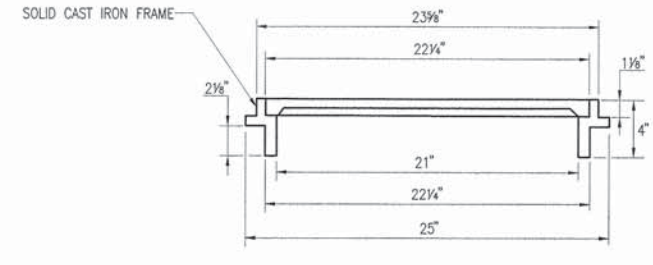
EXISTING MATERIAL	NEW ENTRANCE MATERIAL (BEYOND SIDEWALK)			
	PCC DRIVEWAY PAVEMENT	INCIDENTAL HOT-MIX ASPHALT SURFACING	AGGREGATE BASE COURSE TYPE B	AGGREGATE SURFACE COURSE TYPE B
CONCRETE	X		X	
ASPHALT		X		
AGGREGATE				X



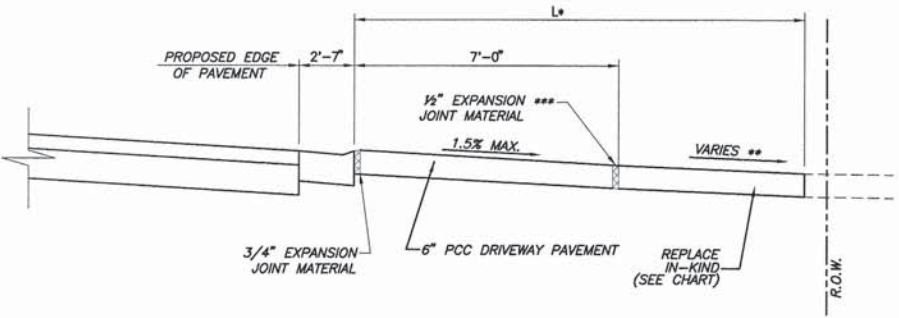
DETAIL OF CURB HEIGHT TRANSITION
N.T.S.



PRECAST LID DETAIL

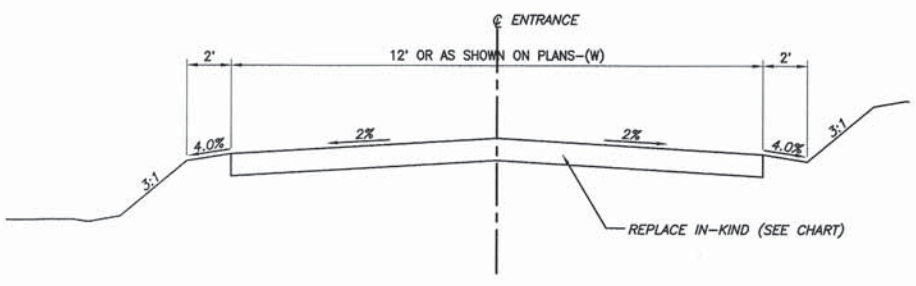


FRAME AND CLOSED LID

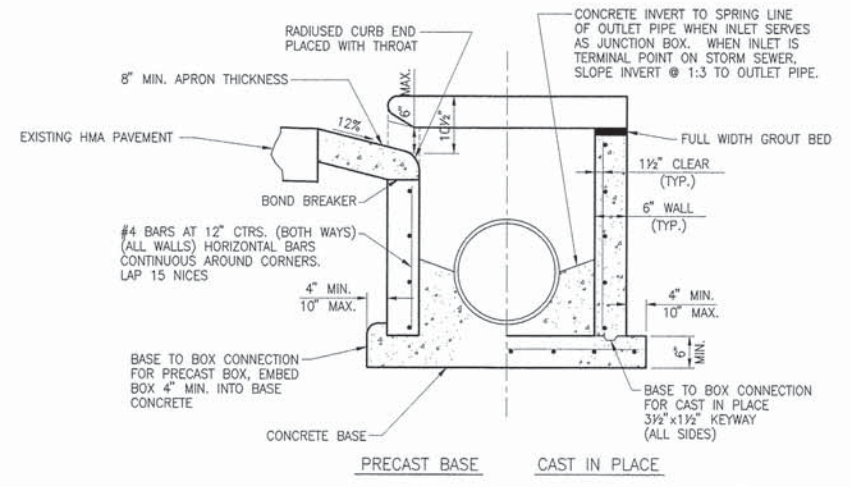


SECTION "A-A"

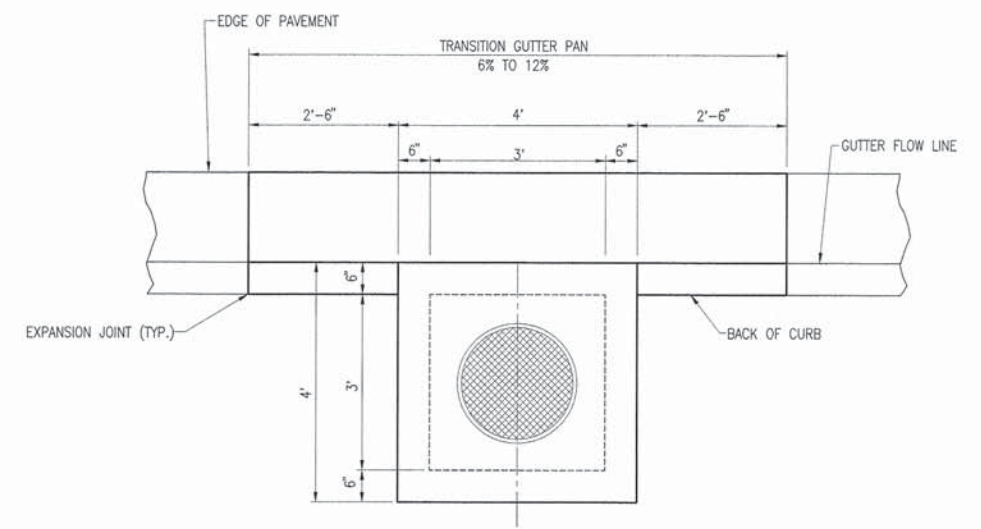
* SEE ENTRANCE SCHEDULE FOR DISTANCES
** SEE CROSS SECTIONS FOR SLOPES
*** EXPANSION REQUIRED ADJACENT TO CONCRETE PAVEMENT



SECTION "B-B"



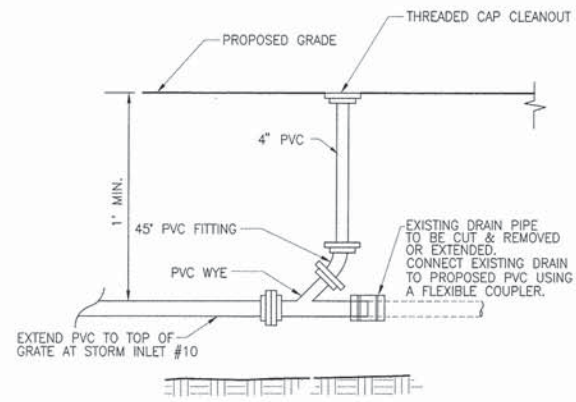
END VIEW



PLAN

INLETS, SPECIAL (3'X3')
N.T.S.

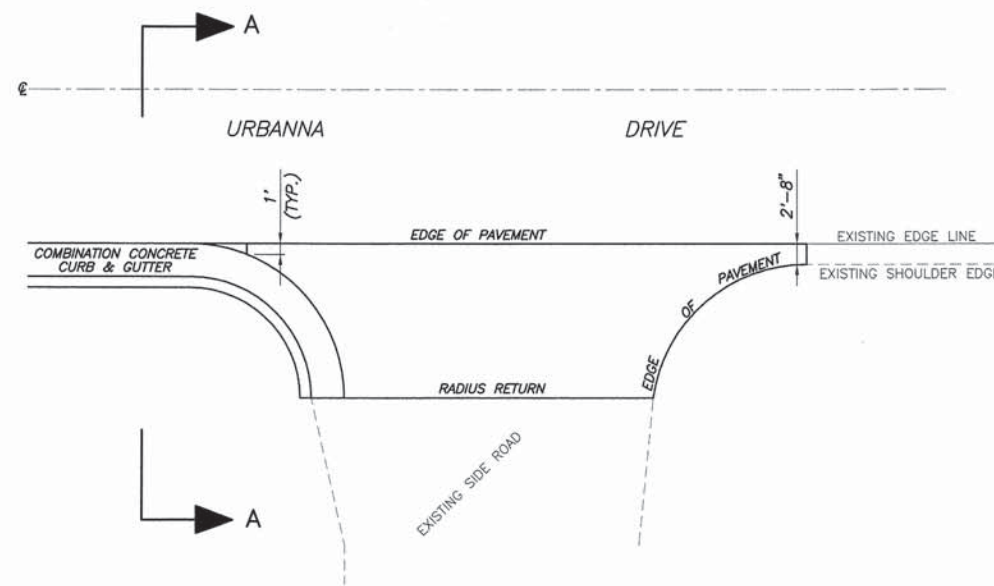
F.A.U. ROUTE	SECTION	COUNTY	TOTAL SHEETS	SHEET NUMBER
9369	12-00024-00-SW	ST. CLAIR	17	12
FEDERAL AID PROJECT			CONTRACT 97545	



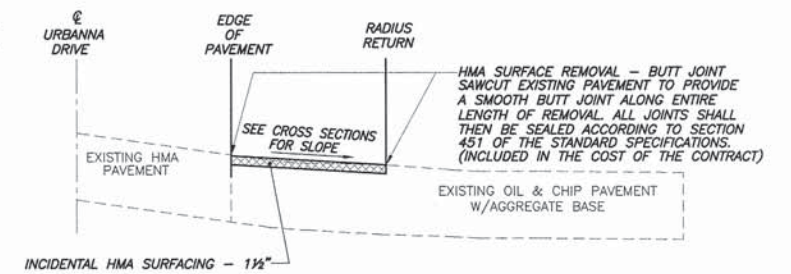
DOWNSPOUT CONNECTION

N.T.S.

NOTE: ALL ITEMS REQUIRED TO COMPLETE CONNECTION AND EXTENSION OF THE EXISTING DRAINS SHALL BE INCLUDED IN PRICE OF THE DOWNSPOUT CONNECTION. SIZES SHALL MATCH THE EXISTING DIAMETERS WITH A MINIMUM DIAMETER OF 4" (SOME CONNECTION ITEMS MAY NOT BE SHOWN).



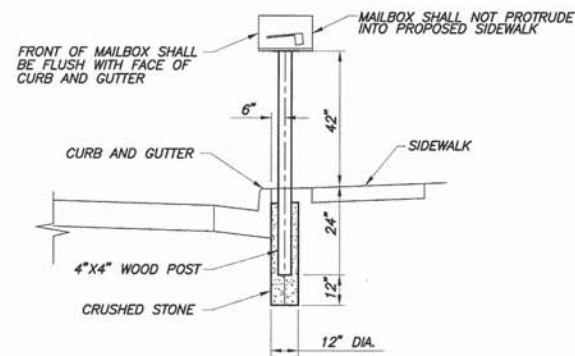
PLAN VIEW



SECTION A-A

SIDE ROAD DETAIL

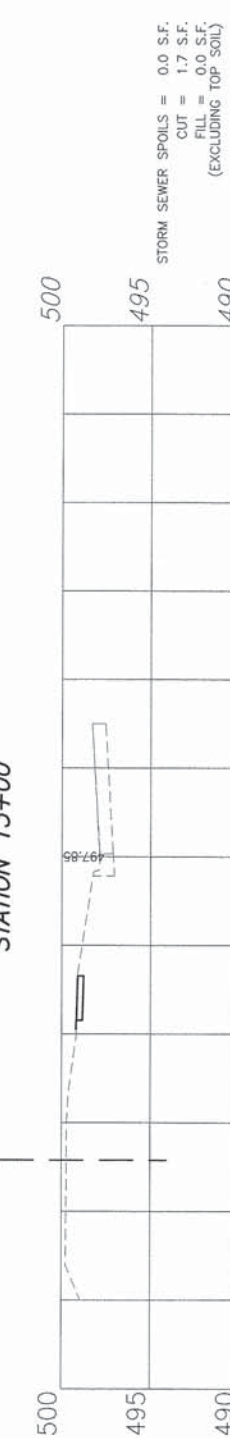
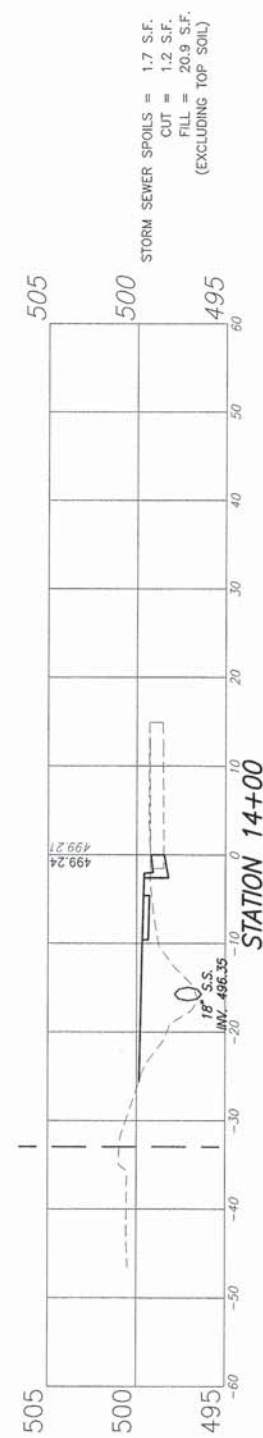
N.T.S.



MAILBOX LOCATION DETAIL

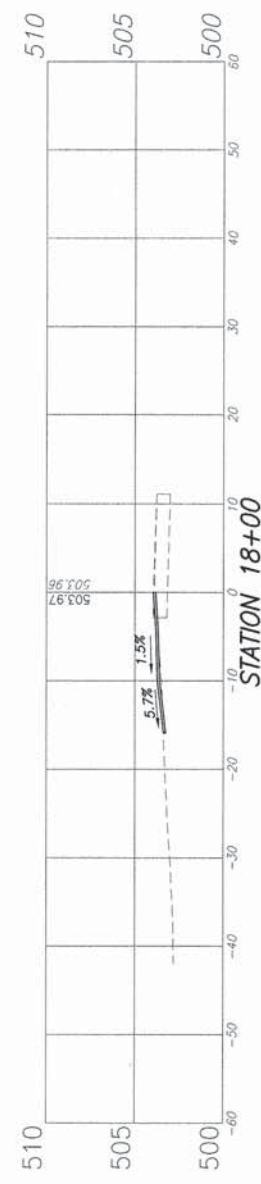
N.T.S.

F.A.U. ROUTE	SECTION	COUNTY	TOTAL SHEETS	SHEET NUMBER
9369	12-00024-00-SW	ST. CLAIR	17	13
FEDERAL AID PROJECT		CONTRACT 97545		



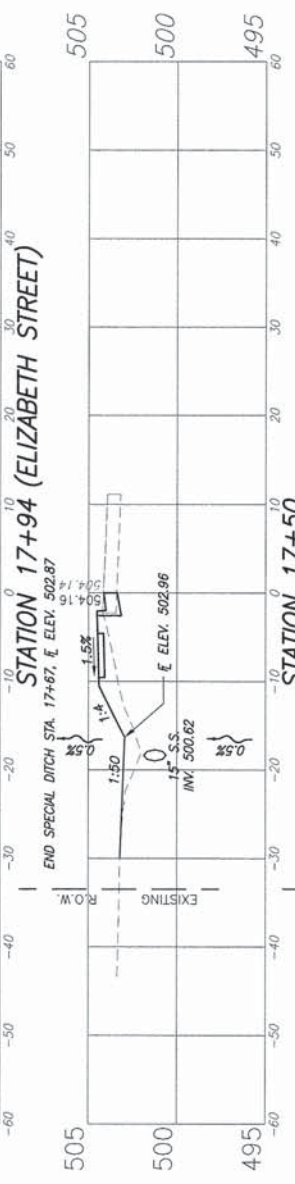
F.A.U. ROUTE	SECTION	COUNTY	TOTAL SHEETS	SHEET NUMBER
9369	12-00024-00-SW	ST. CLAIR	17	14
FEDERAL AID PROJECT		CONTRACT 97545		

STORM SEWER SPOILS = 0.0 S.F.
 CUT = 0.0 S.F.
 FILL = 0.0 S.F.
 (EXCLUDING TOP SOIL)



STATION 18+00

STORM SEWER SPOILS = 3.9 S.F.
 CUT = 0.0 S.F.
 FILL = 8.9 S.F.
 (EXCLUDING TOP SOIL)



STATION 17+94 (ELIZABETH STREET)

STORM SEWER SPOILS = 4.4 S.F.
 CUT = 0.0 S.F.
 FILL = 13.3 S.F.
 (EXCLUDING TOP SOIL)



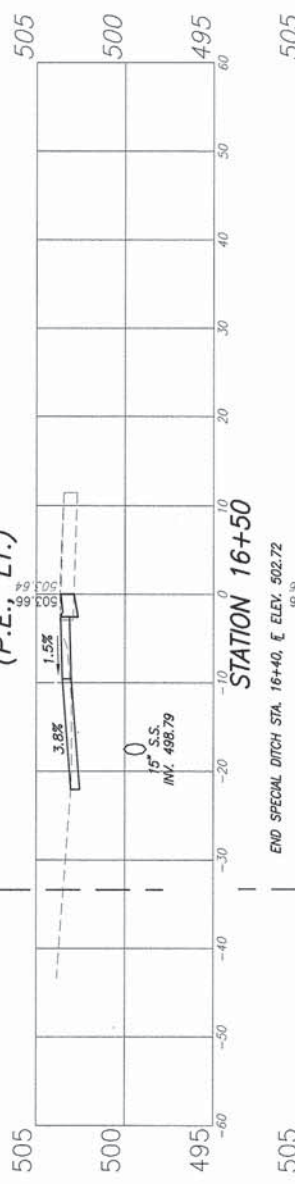
STATION 17+50

STORM SEWER SPOILS = 9.5 S.F.
 CUT = 4.0 S.F.
 FILL = 0.0 S.F.
 (EXCLUDING TOP SOIL)



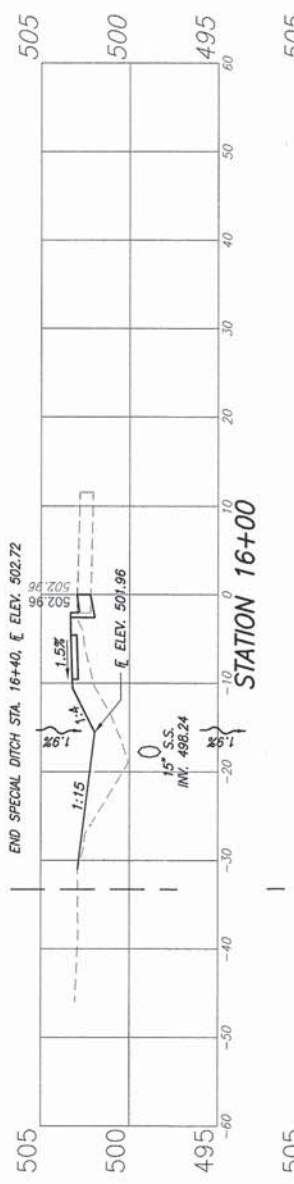
STATION 17+00

STORM SEWER SPOILS = 4.1 S.F.
 CUT = 0.5 S.F.
 FILL = 21.1 S.F.
 (EXCLUDING TOP SOIL)



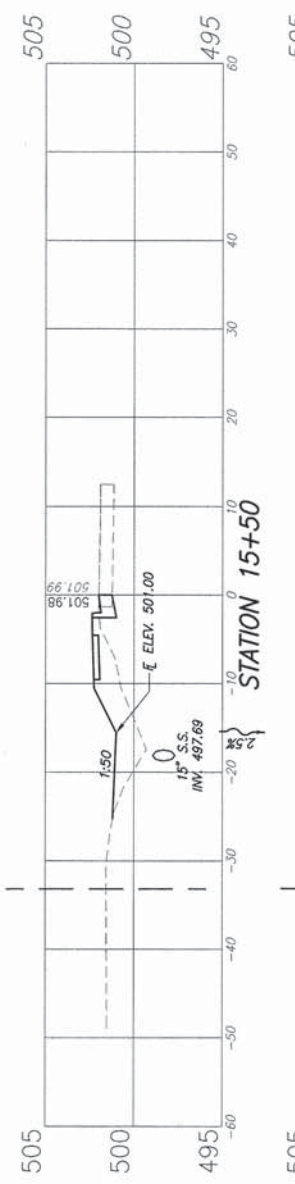
STATION 16+59 (P.E., LT.)

STORM SEWER SPOILS = 4.1 S.F.
 CUT = 1.1 S.F.
 FILL = 17.5 S.F.
 (EXCLUDING TOP SOIL)



STATION 16+50

STORM SEWER SPOILS = 9.8 S.F.
 CUT = 1.7 S.F.
 FILL = 14.5 S.F.
 (EXCLUDING TOP SOIL)



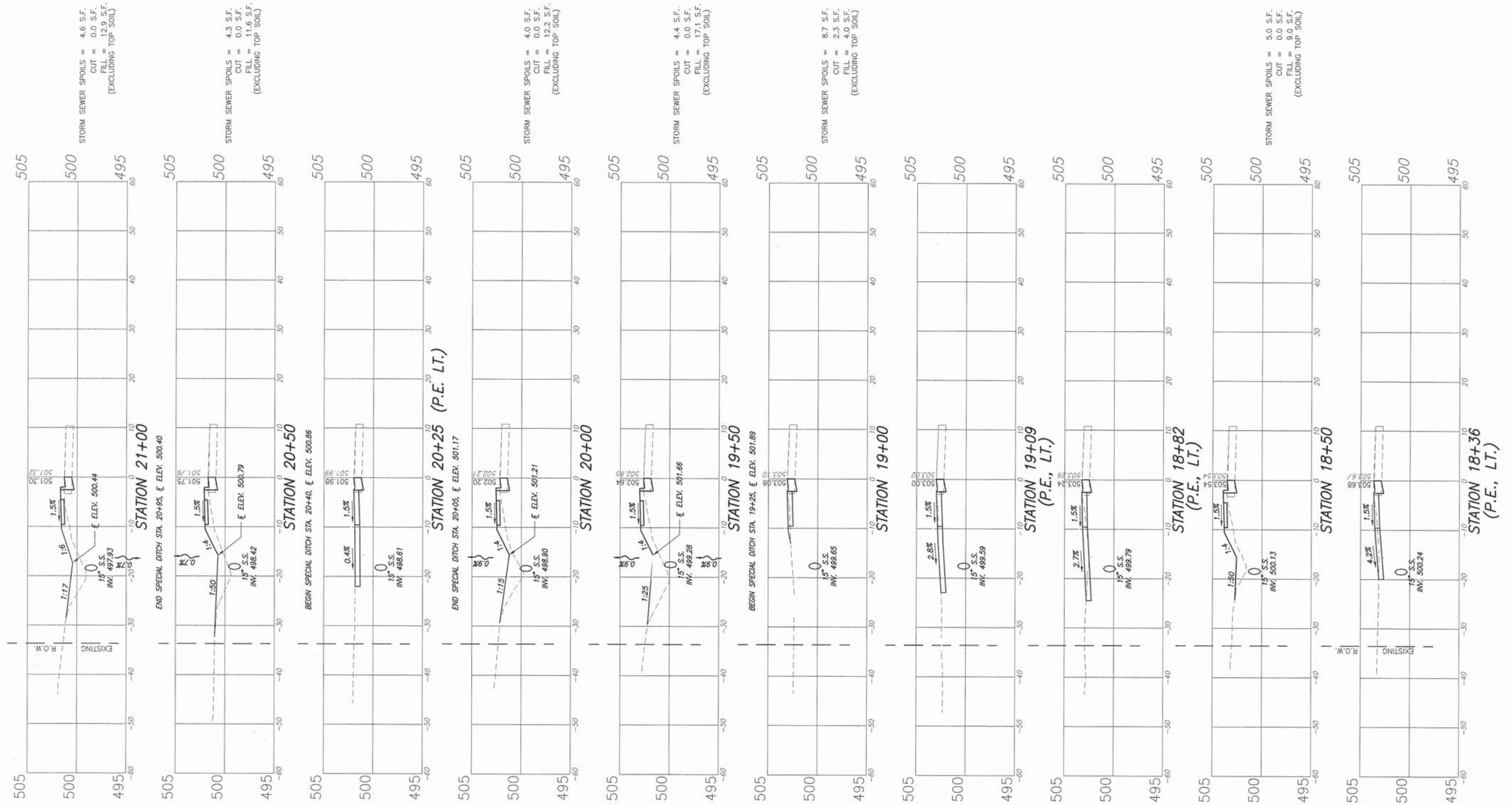
STATION 15+50

STORM SEWER SPOILS = 9.8 S.F.
 CUT = 1.7 S.F.
 FILL = 14.5 S.F.
 (EXCLUDING TOP SOIL)

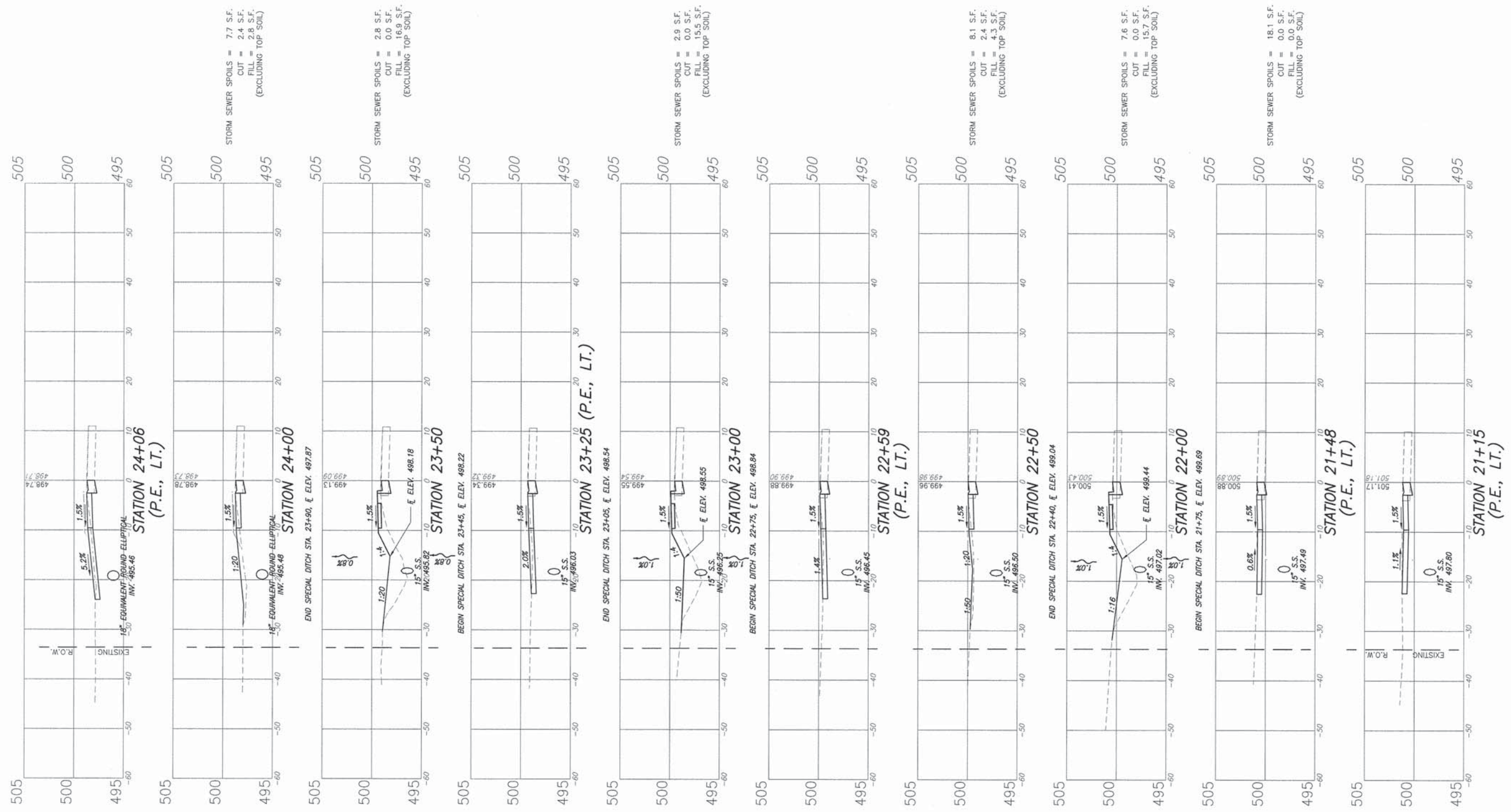


STATION 14+68 (C.E., LT.)

F.A.U. ROUTE	SECTION	COUNTY	TOTAL SHEETS	SHEET NUMBER
9369	12-00024-00-SW	ST. CLAIR	17	15
FEDERAL AID PROJECT		CONTRACT 97545		



F.A.U. ROUTE	SECTION	COUNTY	TOTAL SHEETS	SHEET NUMBER
9369	12-00024-00-SW	ST. CLAIR	17	16
FEDERAL AID PROJECT		CONTRACT 97545		



F.A.U. ROUTE	SECTION	COUNTY	TOTAL SHEETS	SHEET NUMBER
9369	12-00024-00-SW	ST. CLAIR	17	17
FEDERAL AID PROJECT		CONTRACT 97545		

