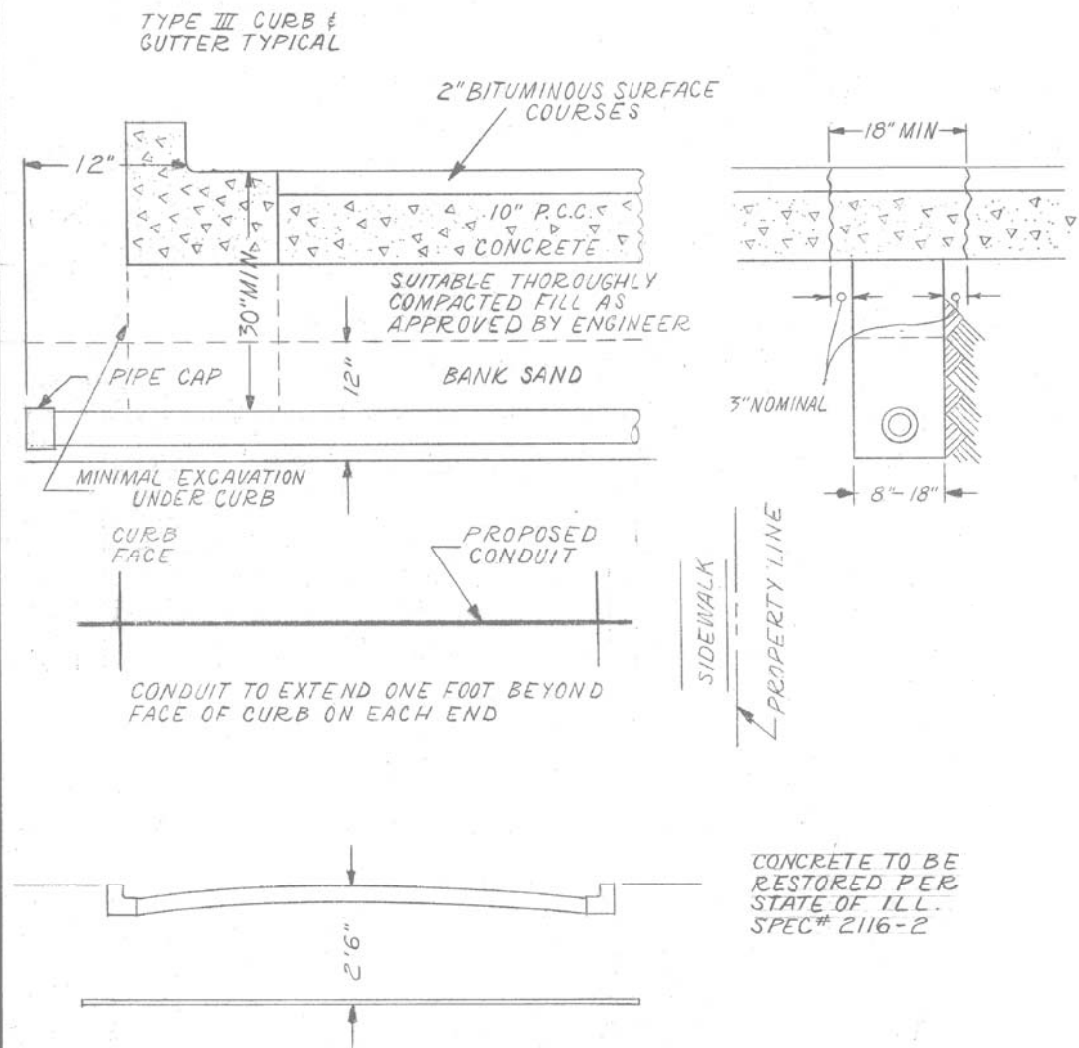
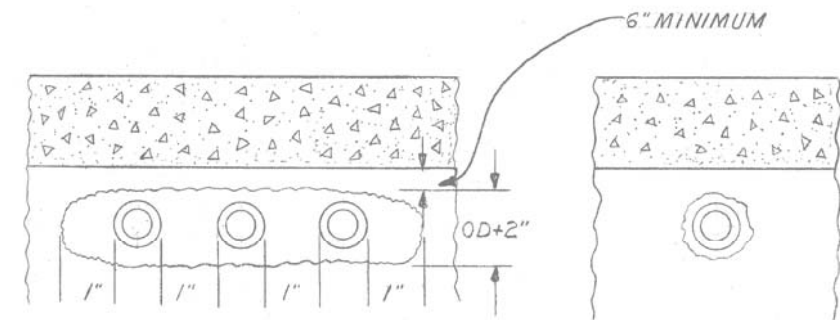
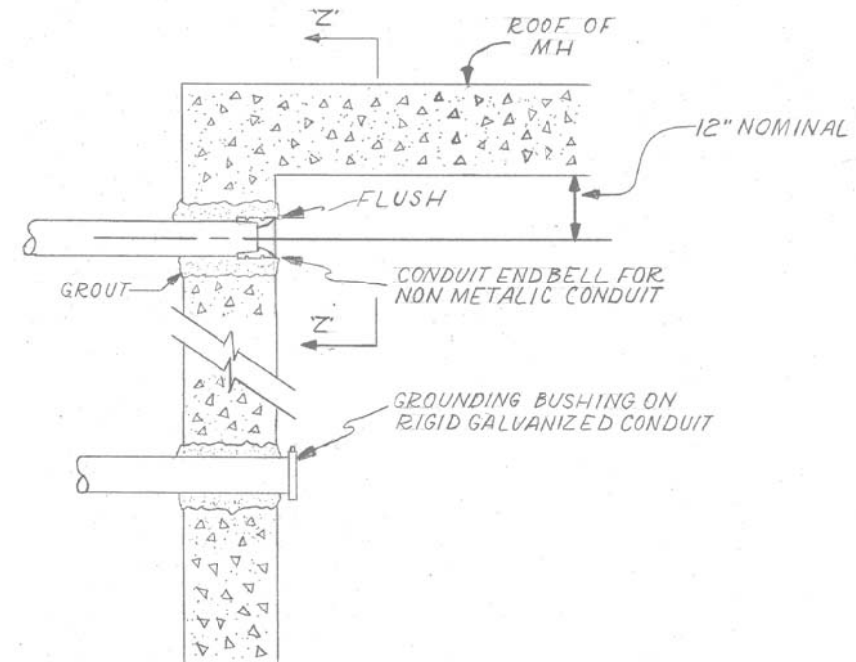


CONDUIT INSTALLATION UNDER PAVED STREET



INSTALLATION METHOD OF INSTALLING CONDUIT UNDER PAVED ROADWAY		
CITY OF CHICAGO DEPT. OF STREETS AND SANITATION BUREAU OF ELECTRICITY DIVISION OF ELECTRICAL ENGINEERING		
DRAWN A.M. JOHNSON	CHECKED R. SYCKOWSKI	ENGINEER R.L. MARTIN
 ENGINEER OF ELECTRICITY		DRG. NO. 813
 DEPT. CHIEF DEPUTY COMM.		DATE 3-13-81
SIZE 8 1/2" X 14"	SCALE N.T.S.	

CONDUIT INSTALLATION THROUGH EXISTING
MANHOLE OR HANDHOLE WALL



OPENING THROUGH WALL TO BE
KEPT TO MINIMUM SIZE TO
ADMIT CONDUIT AND SUFFICIENT
GROUT TO ASSURE SEALING
WALL.

INSTALLATION METHOD OF INSTALLING CONDUIT THRU MANHOLE WALL		
CITY OF CHICAGO DEPT. OF STREETS AND SANITATION BUREAU OF ELECTRICITY DIVISION OF ELECTRICAL ENGINEERING		
DRAWN A.M. JOHNSON	CHECKED R. SYCKOWSKI	ENGINEER R.L. MARTIN
 ENGINEER OF ELECTRICITY		DRG. NO. 814
 DEPT. CHIEF DEPUTY COMM.		DATE 3-13-81
SIZE 8 1/2" X 14"	SCALE N.T.S.	

FILE NAME =	USER NAME = *USERS*	DESIGNED - KMM	REVISED -
K:\Projects\11047\Design\CAD\Sheet Files\3DETAIL2.dgn		DRAWN - LV	REVISED -
	PLOT SCALE = *SCALE*	CHECKED - JDH	REVISED -
	PLOT DATE = 5/15/2013	DATE - 02-22-2012	REVISED -

STATE OF ILLINOIS
DEPARTMENT OF TRANSPORTATION

63RD STREET OVER DAN RYAN EXPRESSWAY
CDOT STANDARD DETAILS

SCALE: N.T.S. SHEET NO. OF SHEETS STA. TO STA.

F.A.I. RTE.	SECTION	COUNTY	TOTAL SHEETS	SHEET NO.
94	1920-B	COOK	137	36
			CONTRACT NO. 60J15	
ILLINOIS FED. AID PROJECT				