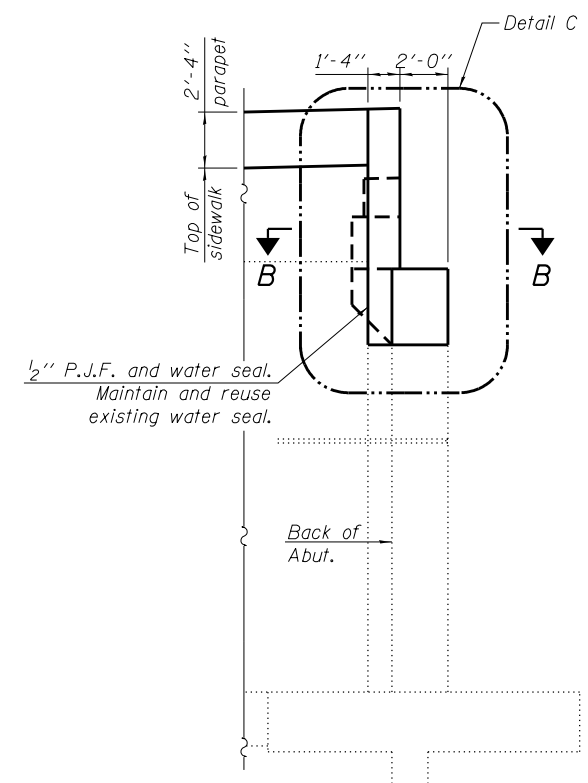
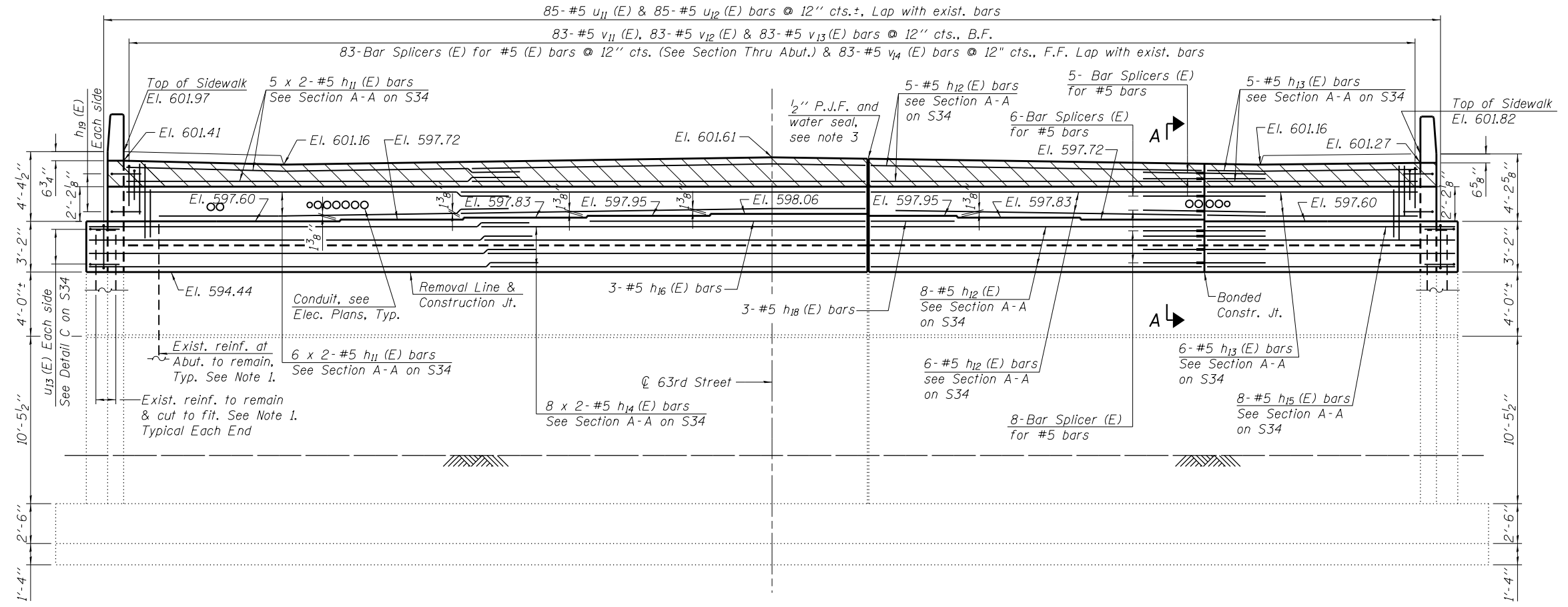


WEST ABUTMENT TOP PLAN



END VIEW
(South side shown,
North side opposite hand)



WEST ABUTMENT ELEVATION
(Looking West)

NOTES

- Existing reinforcement shall be cleaned and incorporated into the new construction as appropriate. Cost included with Concrete Removal.
- For Sections and Detail C, see Sheet S34.
- A rubber water seal with dimensions similar to the existing seal shall be provided at the 1/2" expansion joint 6 feet North of the centerline. The water seal shall be bonded to the top of the existing seal per the manufacturer's recommendations and shall extend up to meet the 6" horizontal water seal in the abutment backwall. This cost shall be included in Concrete Superstructure.

H:\projects\2013\20130223\CAD\Structural\dwg\06-1149_Final\061149-s32-w-abut.dgn
 5/20/2013 11:24:41 AM

GR&E
 8501 W. Higgins Road, Suite 280
 Chicago, Illinois 60631; (773) 399-0112

USER NAME =	DESIGNED - J.Z.	REVISED -
CHECKED - J.A.Z.	REVISED -	
PLOT SCALE =	DRAWN - E.E.J.	REVISED -
PLOT DATE =	DATE - 5/17/2013	REVISED -

**STATE OF ILLINOIS
 DEPARTMENT OF TRANSPORTATION**

**WEST ABUTMENT
 STRUCTURE NO. 016-1149**

SHEET NO. S32 OF 50 SHEETS

F.A.I. RTE.	SECTION	COUNTY	TOTAL SHEETS	SHEET NO.
94	1920-B	COOK	137	91
CONTRACT NO. 60J15				
ILLINOIS FED. AID PROJECT				