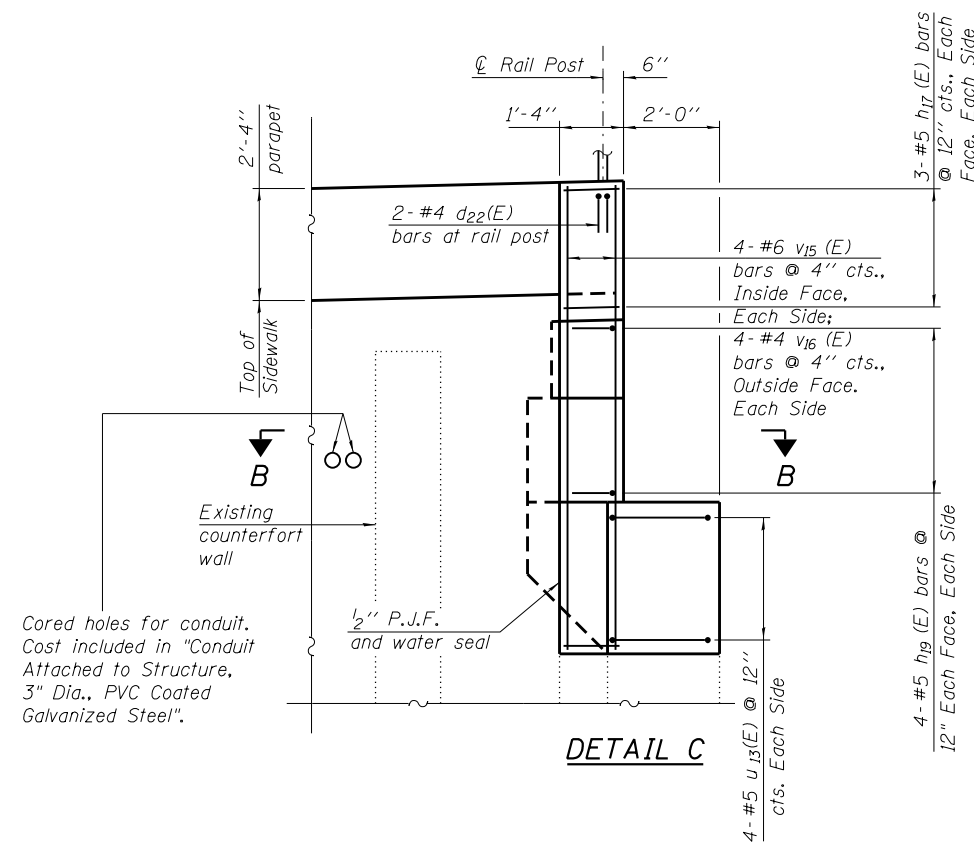


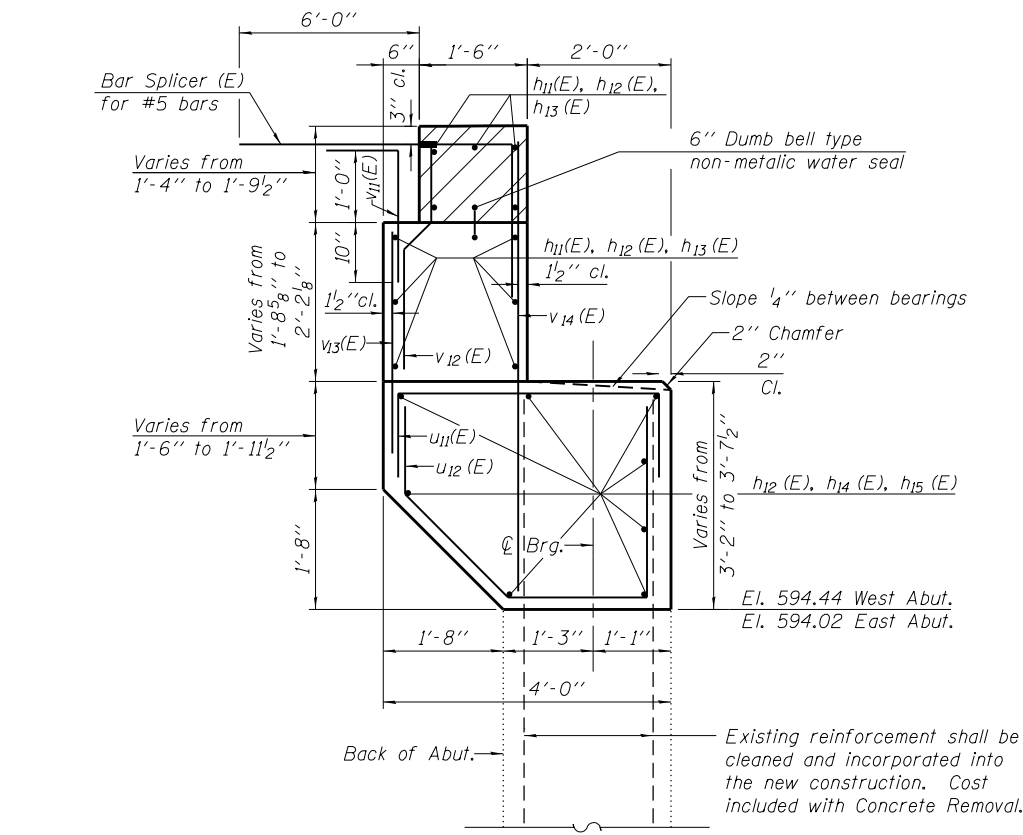
H:\projects\2015\02\21\CAD\Structure\dwg\016-1149-Final\00\016015-s34-abut-dt.dgn
 5/20/2015 11:24:42 AM

USER NAME =	DESIGNED - J.Z.	REVISED -
DESIGNED - J.Z.	CHECKED - J.A.Z.	REVISED -
PLOT SCALE =	DRAWN - E.E.J.	REVISED -
PLOT DATE =	DATE - 5/17/2013	REVISED -

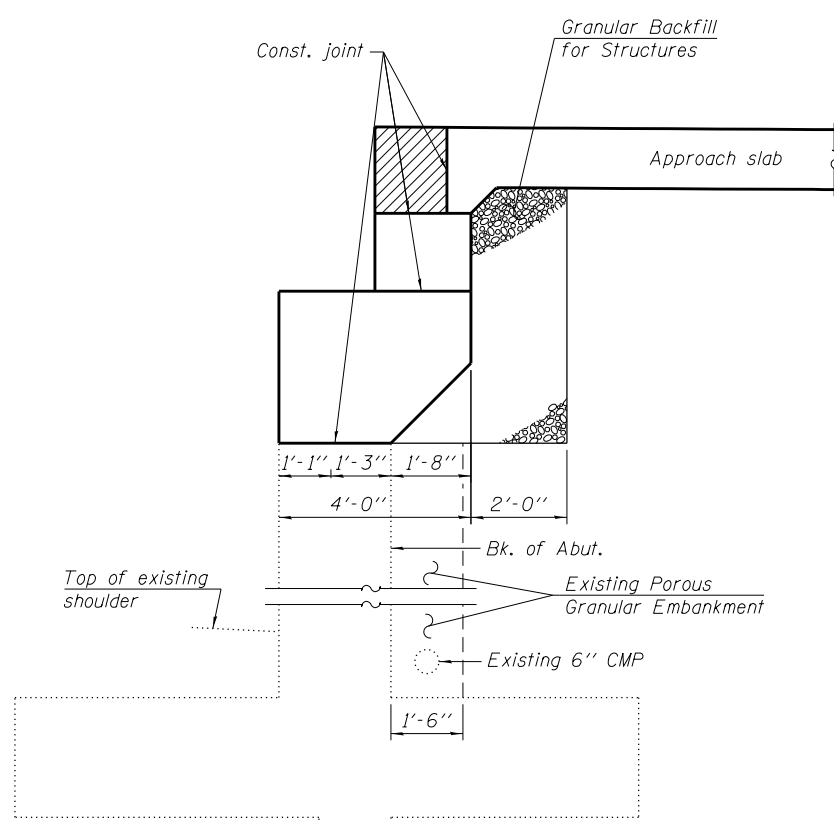
F.A.I. RTE.	SECTION	COUNTY	TOTAL SHEETS	SHEET NO.
94	1920-B	COOK	137	93
CONTRACT NO. 60J15				
ILLINOIS FED. AID PROJECT				



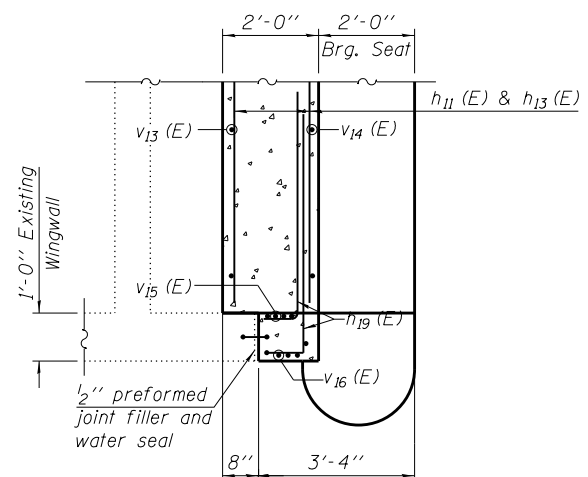
DETAIL C



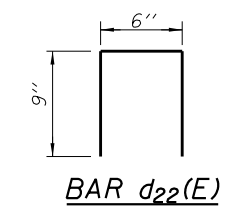
SECTION A-A



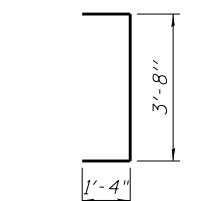
SECTION THRU ABUTMENTS



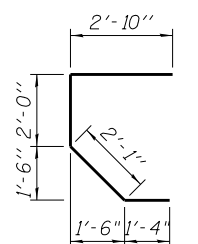
SECTION B-B



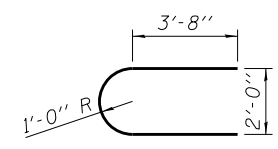
BAR d22(E)



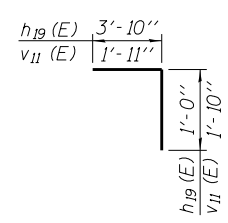
BAR u11(E)



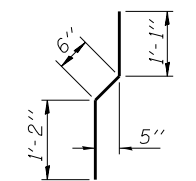
BAR u12(E)



BAR u13(E)



BAR h19(E) & v11(E)



BAR v12(E)

**WEST ABUTMENT
BILL OF MATERIAL**

Bar	No.	Size	Length	Shape
d22(E)	4	#4	2'-0"	U
h11(E)	22	#5	25'-1"	—
h12(E)	19	#5	20'-8"	—
h13(E)	11	#5	13'-2"	—
h14(E)	16	#5	25'-6"	—
h15(E)	8	#5	14'-6"	—
h16(E)	3	#5	17'-3"	—
h17(E)	12	#5	1'-0"	—
h18(E)	3	#5	5'-3"	—
h19(E)	16	#5	4'-10"	—
u11(E)	85	#5	6'-4"	U
u12(E)	85	#5	8'-3"	U
u13(E)	8	#5	10'-6"	U
v11(E)	83	#5	3'-9"	—
v12(E)	83	#5	2'-9"	—
v13(E)	83	#5	3'-4"	—
v14(E)	83	#5	6'-0"	—
v15(E)	8	#6	9'-6"	—
v16(E)	8	#4	9'-6"	—
Structure Excavation		Cu. yd	117	
Concrete Structures		Cu. yd	51.1	
Reinforcement Bars, Epoxy Coated		Pound	4,770	
Concrete Sealer		Sq. Ft.	771	
Granular Backfill for Structures		Cu. yd	46	

**EAST ABUTMENT
BILL OF MATERIAL**

Bar	No.	Size	Length	Shape
d22(E)	4	#4	2'-0"	U
h11(E)	22	#5	25'-1"	—
h12(E)	19	#5	20'-8"	—
h13(E)	11	#5	13'-2"	—
h14(E)	16	#5	25'-6"	—
h15(E)	8	#5	14'-6"	—
h16(E)	3	#5	17'-3"	—
h17(E)	12	#5	1'-0"	—
h18(E)	3	#5	5'-3"	—
h19(E)	16	#5	4'-10"	—
u11(E)	85	#5	6'-4"	U
u12(E)	85	#5	8'-3"	U
u13(E)	8	#5	10'-6"	U
v11(E)	83	#5	3'-9"	—
v12(E)	83	#5	2'-9"	—
v13(E)	83	#5	3'-4"	—
v14(E)	83	#5	6'-0"	—
v15(E)	8	#6	9'-6"	—
v16(E)	8	#4	9'-6"	—
Structure Excavation		Cu. yd	100	
Concrete Structures		Cu. yd	51.4	
Reinforcement Bars, Epoxy Coated		Pound	4,770	
Concrete Sealer		Sq. Ft.	772	
Granular Backfill for Structures		Cu. yd	46	

NOTES

- For details of Bar Splicers, see sheet S49.
- Hatched area to be poured after superstructure false work has been removed. Quantity of concrete included with Concrete Superstructure.