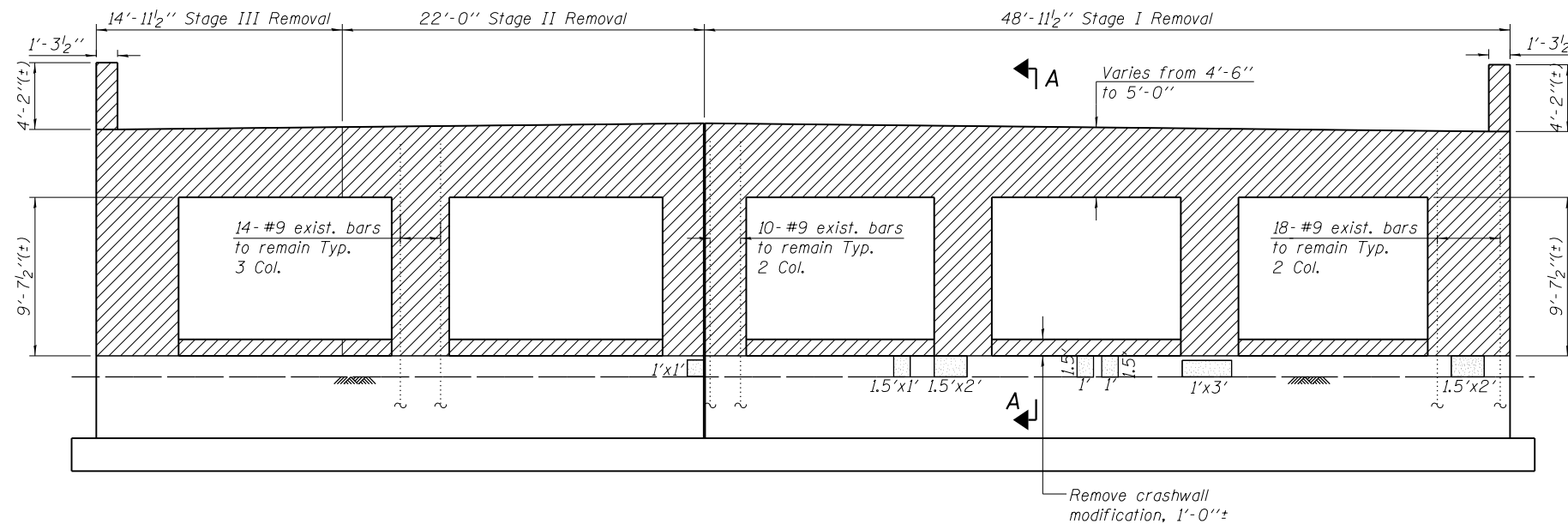
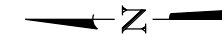
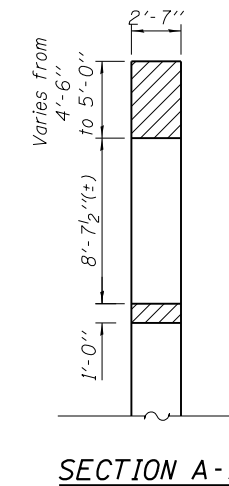


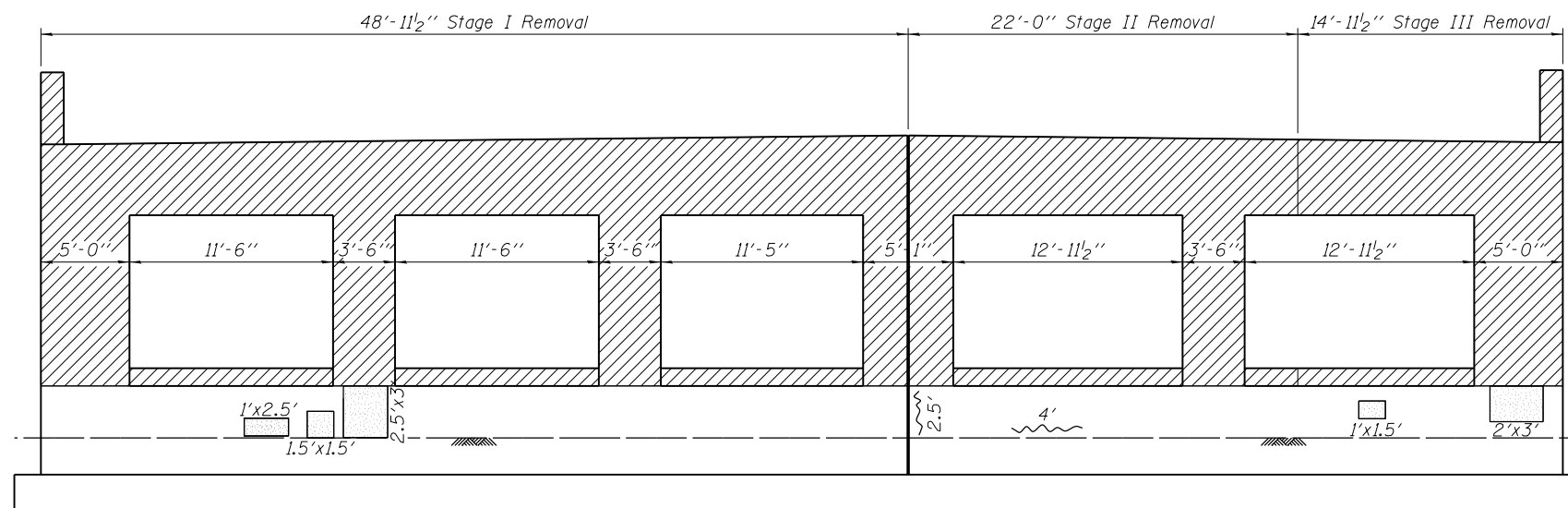
PIER 4 TOP PLAN



PIER 4 ELEVATION
(Looking East)



SECTION A-A



PIER 4 ELEVATION
(Looking West)

BILL OF MATERIAL

Item	Unit	Quantity
Concrete Removal	cu. yd.	63
Epoxy Crack Injection	ft.	7
Structural Repair of Concrete (Depth Equal to or Less than 5")	sq. ft.	34

LEGEND

- Concrete Removal
- Structural Repair of Concrete (Depth Equal to or Less than 5")
- Epoxy Crack Injection

NOTES

- Clean and reuse 8'-7" length of existing #9 vertical column bars at all columns. Cost included with Concrete Removal.

H:\projects\2013\0223\CAD\Structural\06-1149_Final\00\Di60J15-s44-pier4-r.ep.dgn
 5/20/2013 11:24:17 AM