

EXISTING TYPICAL SECTION

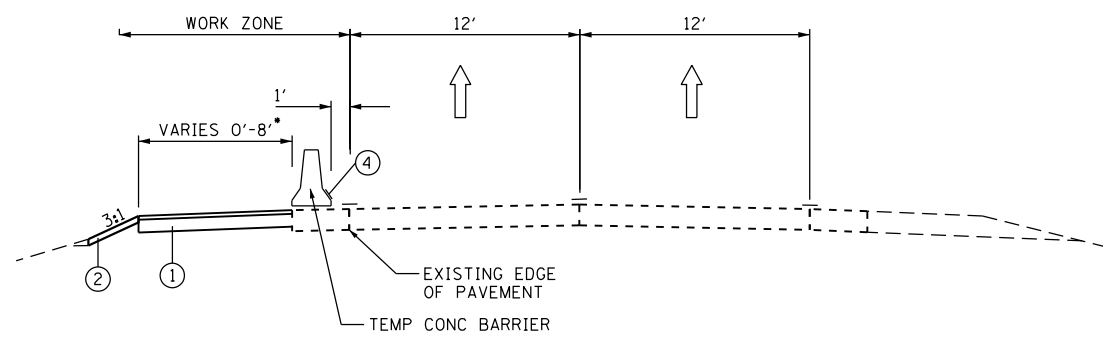
US 41 SOUTH BOUND

EXISTING LEGEND

- Ⓐ EXIST. HMA PAVEMENT
- Ⓑ EXIST. HMA SHOULDER
- Ⓒ EXIST. AGGREGATE SHOULDER

PROPOSED LEGEND:

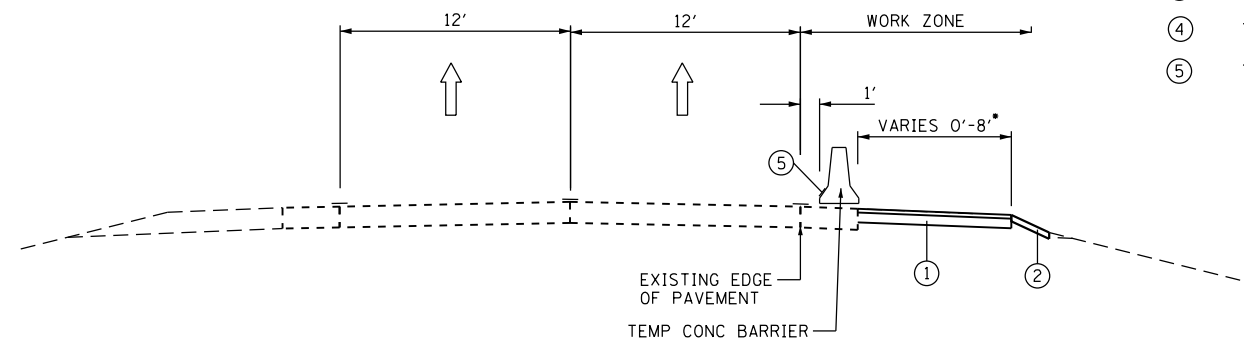
- ① TEMPORARY PAVEMENT, 10"
- ② TEMPORARY EROSION CONTROL SEEDING
- ③ TEMPORARY CONCRETE BARRIER
- ④ TEMPORARY PAVEMENT MARKING, 6" (YELLOW)
- ⑤ TEMPORARY PAVEMENT MARKING, 6" (WHITE)



STAGE I TYPICAL SECTION

US 41 SOUTH BOUND

• STA. 606+27.20 TO STA. 607+19.61



STAGE II TYPICAL SECTION

US 41 SOUTH BOUND

• STA. 605+24.41 TO STA. 606+16.21

NOTE:

TEMPORARY PAVEMENT IS TO BE REMOVED AND SHOULDER IS TO BE RESTORED TO ORIGINAL CONDITION UPON COMPLETION OF CONSTRUCTION ACTIVITIES.

FILE NAME = I:\5710\6710.24 - IL 43 Over US 41\CADD\CADD_Sheets\160R61-sh1-typical.dgn

COLLINS ENGINEERS
 123 N. Booker Dr.
 Suite 300
 Chicago, IL 60606
 Phone: (312) 704-8300
 Fax: (312) 704-9300
 www.collinsengr.com
 ILLINOIS PROFESSIONAL DESIGN FIRM LICENSE NO. 084-000993

USER NAME = rge11	DESIGNED -	REVISED -
PLOT SCALE = 2.0000' / 1" =	DRAWN -	REVISED -
PLOT DATE = 5/10/2013	CHECKED -	REVISED -
	DATE -	REVISED -

**STATE OF ILLINOIS
 DEPARTMENT OF TRANSPORTATION**

**MAINTENANCE OF TRAFFIC
 TYPICAL SECTION - US 41**

SCALE: SHEET OF SHEETS STA. TO STA.

F.A. RTE.	SECTION	COUNTY	TOTAL SHEETS	SHEET NO.
2706	125 HB-BR	LAKE	51	14
CONTRACT NO. 60R61				
ILLINOIS FED. AID PROJECT				